

US00D386363S

United States Patent [19] Dardashti

[11] Patent Number: Des. 386,363

[45] Date of Patent: **Nov. 18, 1997

[54] WINE BOTTLE RACK

[76] Inventor: **Shahriar Dardashti**, c/o Atlantic Representations, Inc., Post Office Box 2399, Santa Fe Springs, Calif. 90670

[**] Term: 14 Years

[21] Appl. No.: 59,737

[22] Filed: Sep. 9, 1996

Related U.S. Application Data

[63] Continuation of Ser. No. 51,233, Mar. 6, 1996, abandoned.

[51] LOC (6) Cl. 07-06

[52] U.S. Cl. D7/704; D6/458

[58] Field of Search D7/701, 704; D6/458, D6/462-465; 211/71, 74, 181; 248/311.2, 311.3

[56] References Cited

U.S. PATENT DOCUMENTS

- D. 216,690 3/1970 Robak D7/704
- D. 260,463 9/1981 Imos .
- 1,751,505 3/1930 Borland, Jr. D6/458 X
- 2,527,796 10/1950 Clute .
- 2,591,362 4/1952 Koch .
- 3,003,644 10/1961 Hildebrand D7/704 X
- 3,160,278 12/1964 Varkala .

- 3,606,023 9/1971 Edmonds .
- 3,901,389 8/1975 Belokin, Jr. .
- 4,589,556 5/1986 Peretz .
- 4,679,695 7/1987 Leff 211/71
- 4,998,631 3/1991 Fridjhon .
- 5,025,936 6/1991 Lamoureaux .
- 5,215,199 6/1993 Bejarano .
- 5,236,094 8/1993 Condie .

OTHER PUBLICATIONS

Prior Art FIG. undated, Wine Rack. "House Beautiful," Sep. 1973, p. 155.

Primary Examiner—Terry A. Wallace
Attorney, Agent, or Firm—Oppenheimer Poms Smith

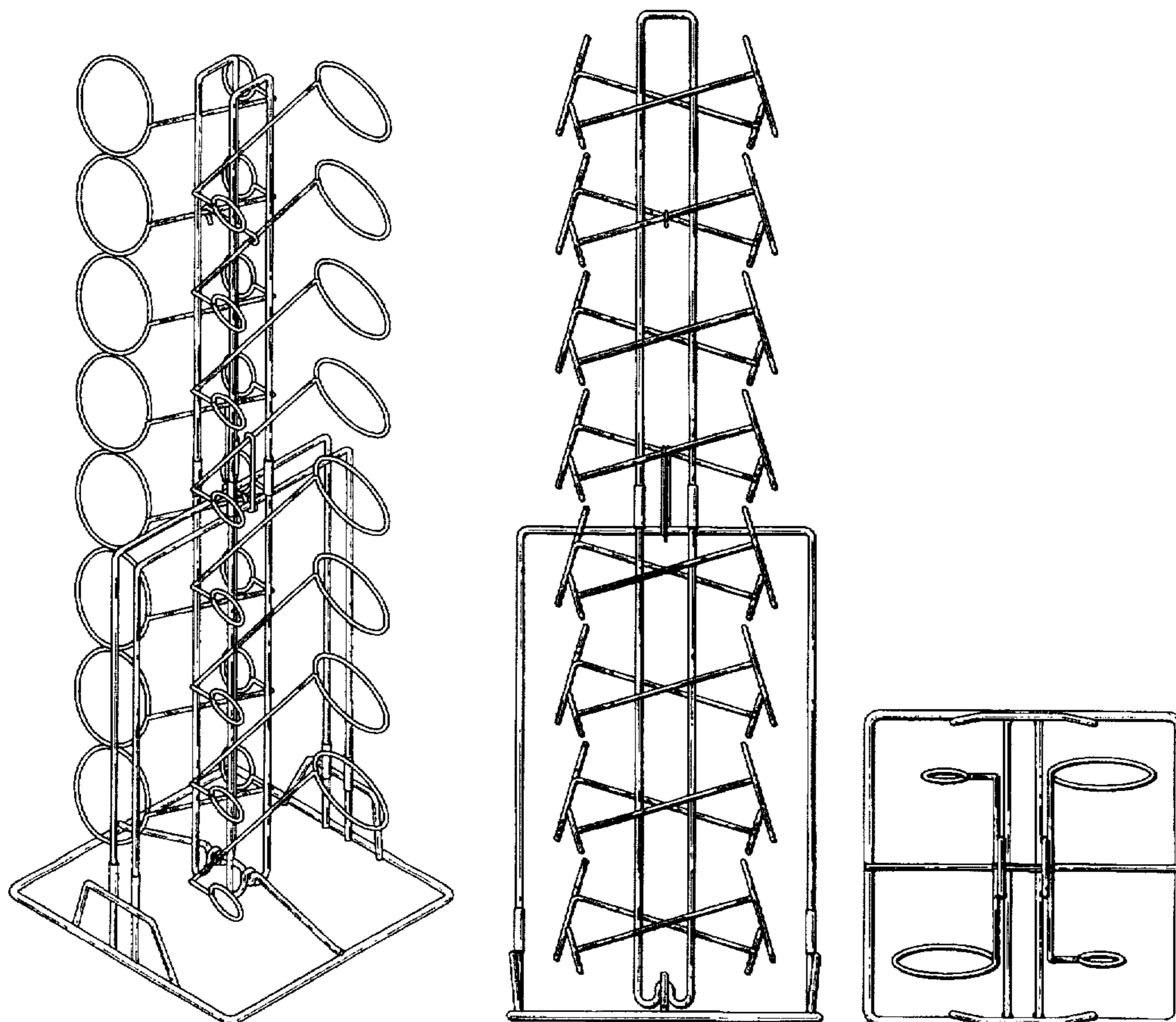
[57] CLAIM

The ornamental design for a wine bottle rack, as shown and described.

DESCRIPTION

FIG. 1 is a perspective view of a wine bottle rack showing my new design;
FIG. 2 is a right side elevational view thereof; the left side elevational view being a mirror image thereof;
FIG. 3 is a top plan view thereof;
FIG. 4 is a front elevational view thereof; the rear elevational view being a mirror image thereof; and,
FIG. 5 is a bottom plan view thereof.

1 Claim, 3 Drawing Sheets



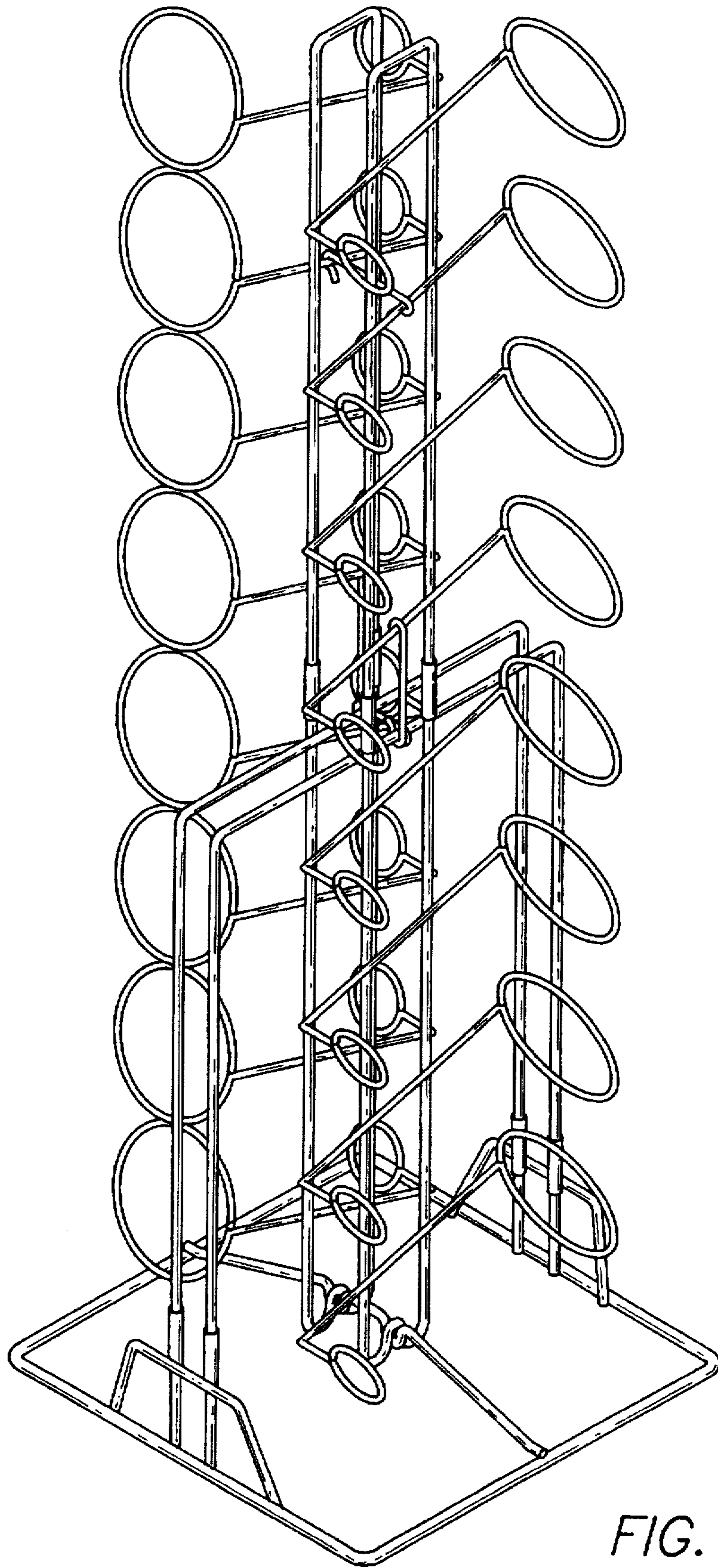


FIG. 1

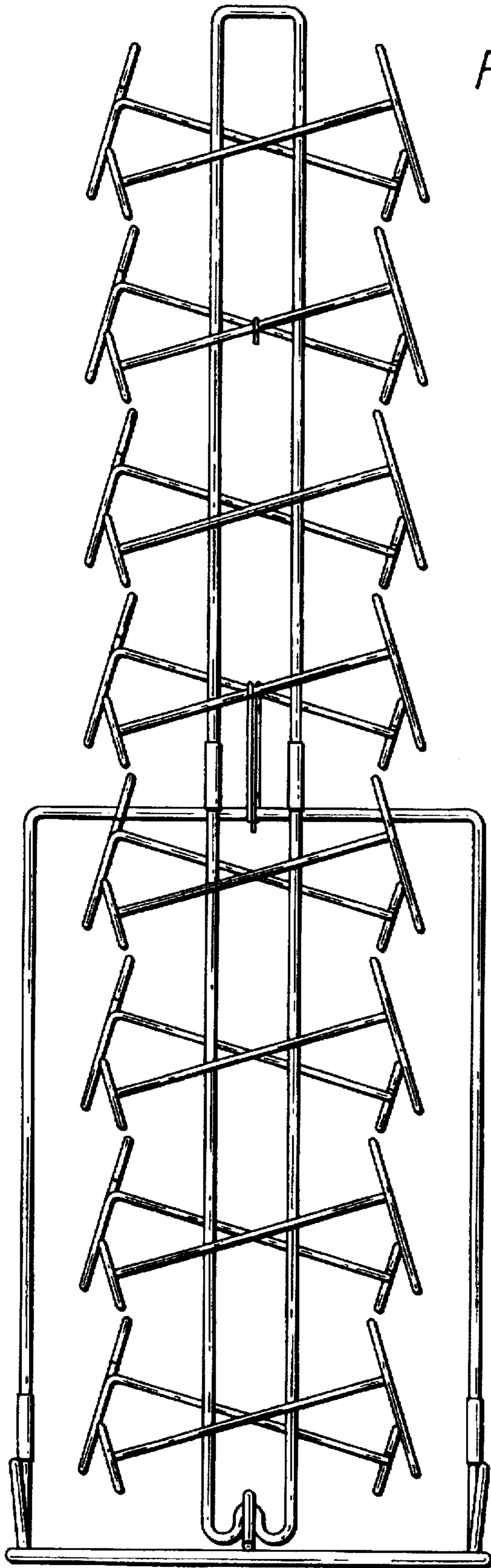


FIG. 2

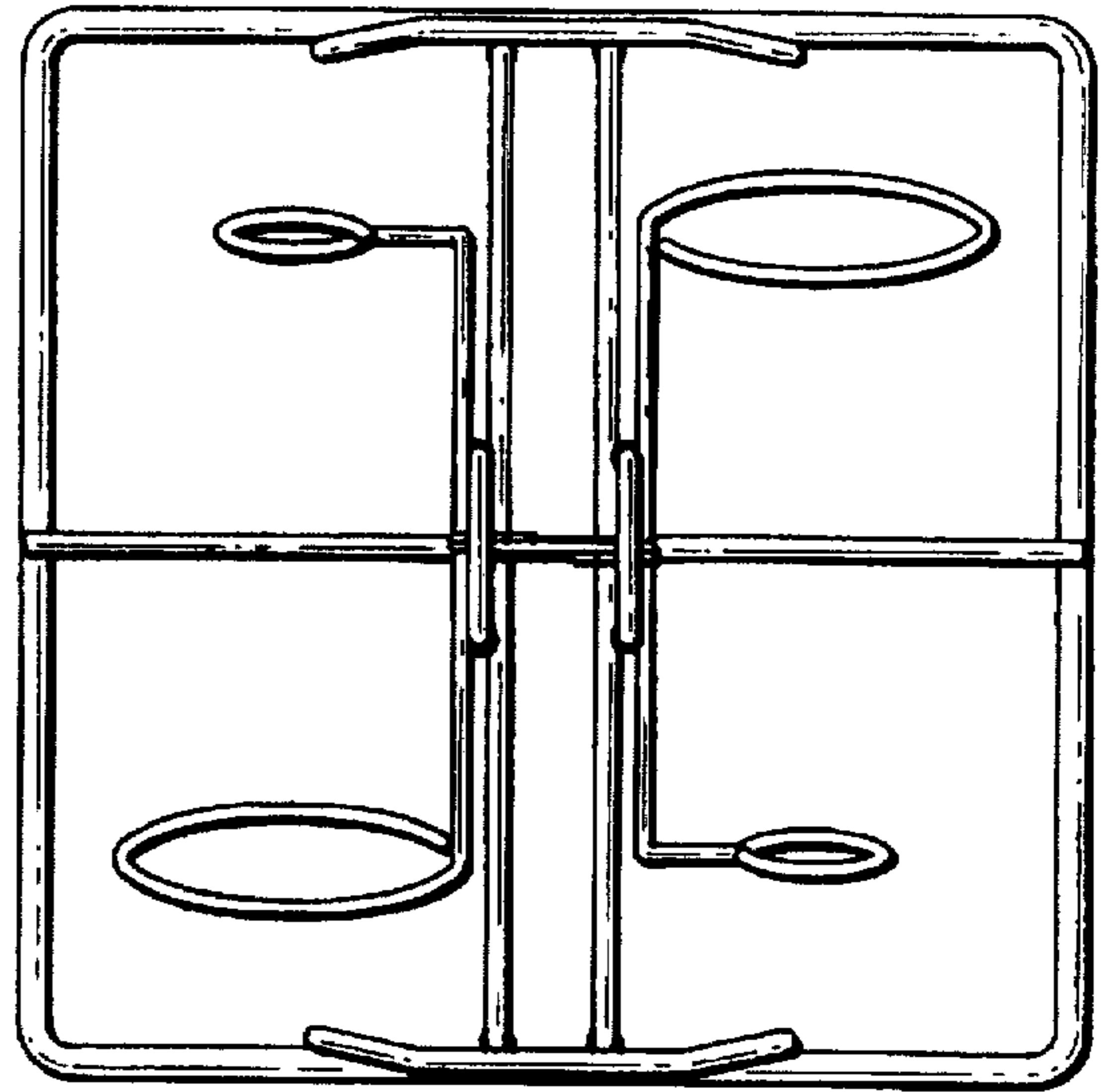


FIG. 3

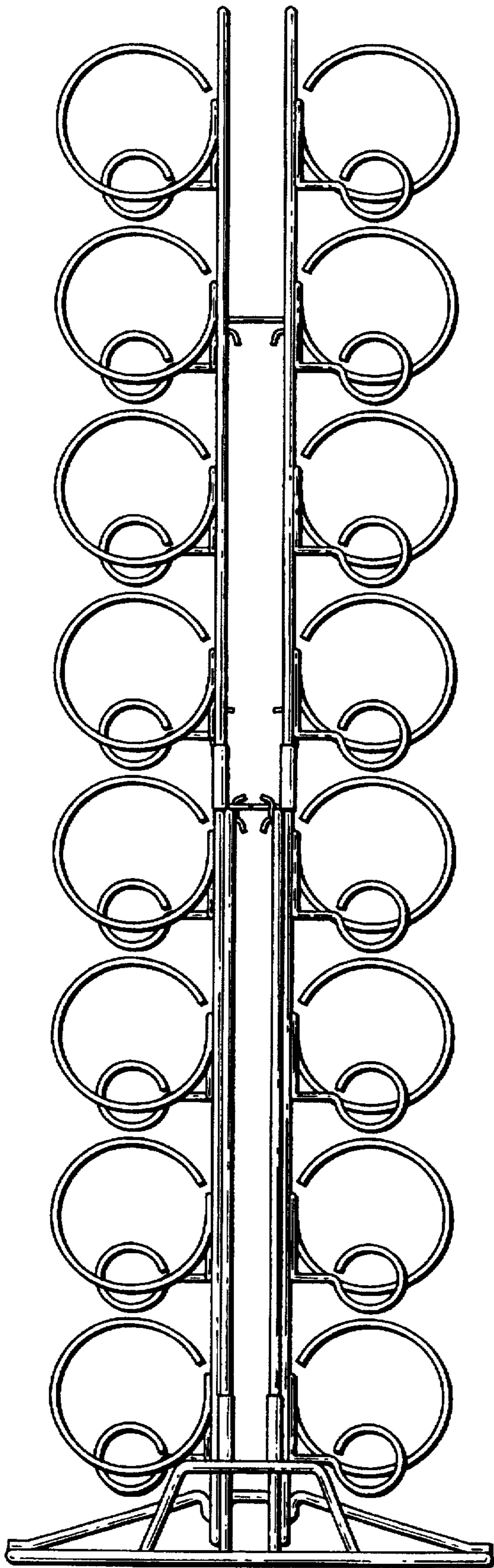


FIG. 4

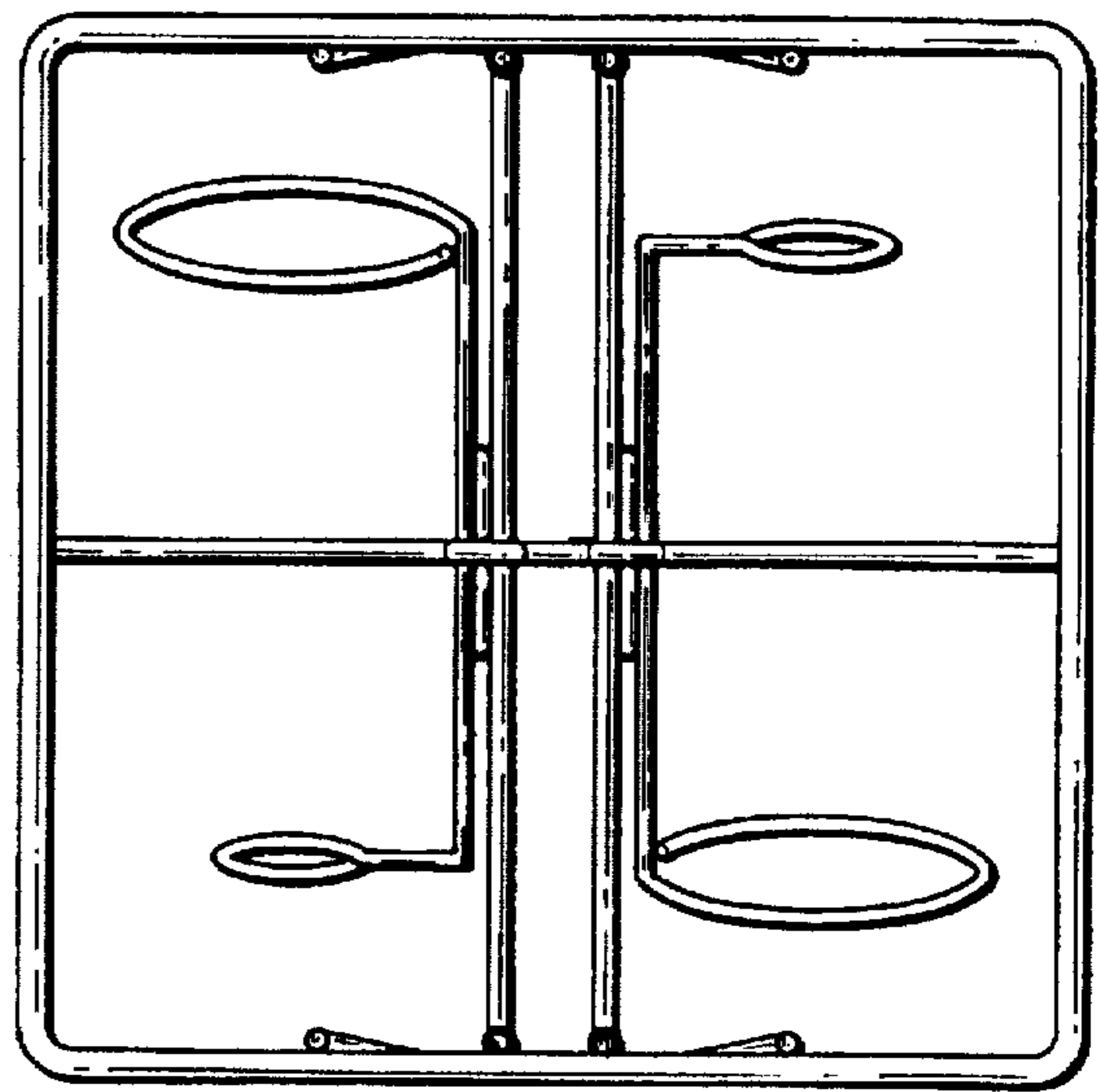


FIG. 5