

US00D386360S

United States Patent [19]
Krug, Sr.

[11] **Patent Number: Des. 386,360**
[45] **Date of Patent: **Nov. 18, 1997**

- [54] **COOLER KEEPER FOR TWO LITER BOTTLES**
- [76] **Inventor: Gordon J. Krug, Sr., 259 M Golf Course Rd., Portage, Pa. 15946**
- [**] **Term: 14 Years**
- [21] **Appl. No.: 53,076**
- [22] **Filed: Apr. 23, 1996**
- [51] **LOC (6) Cl. 72-01**
- [52] **U.S. Cl. D7/605**
- [58] **Field of Search D7/605-608; D3/201, D3/202, 219, 263, 267, 268, 273, 276; 62/457.1, 457.5, 457.7; 220/411, 412; 383/109, 110, 113; D15/90**

[56] **References Cited**

U.S. PATENT DOCUMENTS

D. 218,908	10/1970	Bright et al. .	
D. 286,251	10/1986	Steyn	D7/605
D. 316,653	5/1991	Spencer	D7/605
565,508	8/1896	Rothenbach .	
5,462,213	10/1995	Watt	62/457.1 X
5,535,883	7/1996	Henderson	62/457.5 X

OTHER PUBLICATIONS

HKE, Jul. 1989, p. 15, Silverline-Cooler SL-3.

Primary Examiner—Sandra L. Morris

[57] **CLAIM**

The ornamental design for a cooler keeper for two liter bottles, as shown and described.

DESCRIPTION

FIG. 1 is a front elevational view of the cooler keeper for two liter bottles showing my new design;
 FIG. 2 is a rear elevational view thereof;
 FIG. 3 is a right view thereof;
 FIG. 4 is a left view thereof;
 FIG. 5 is a top plan view thereof with the lid in the closed orientation;
 FIG. 6 is a top plan view thereof with the lid in the open orientation and illustrating placement of a removable ice pack stored between the two liter bottles in the keeper;
 FIG. 7 is a front elevational view thereof with the lid in the open orientation and showing the removable ice pack in the removed position; and,
 FIG. 8 is an enlarged perspective view of the ice pack, shown separately for ease of illustration.

1 Claim, 5 Drawing Sheets

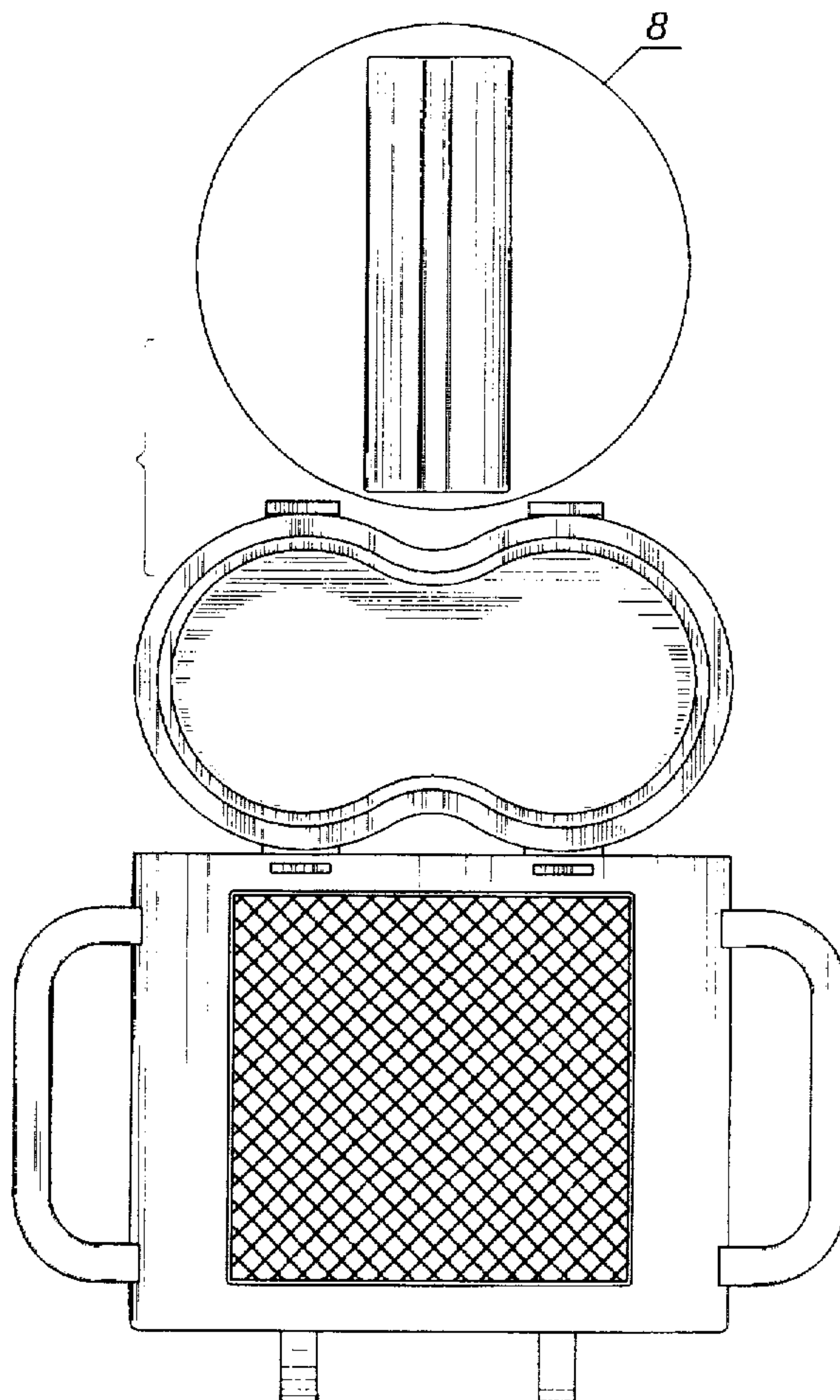


FIG. 1

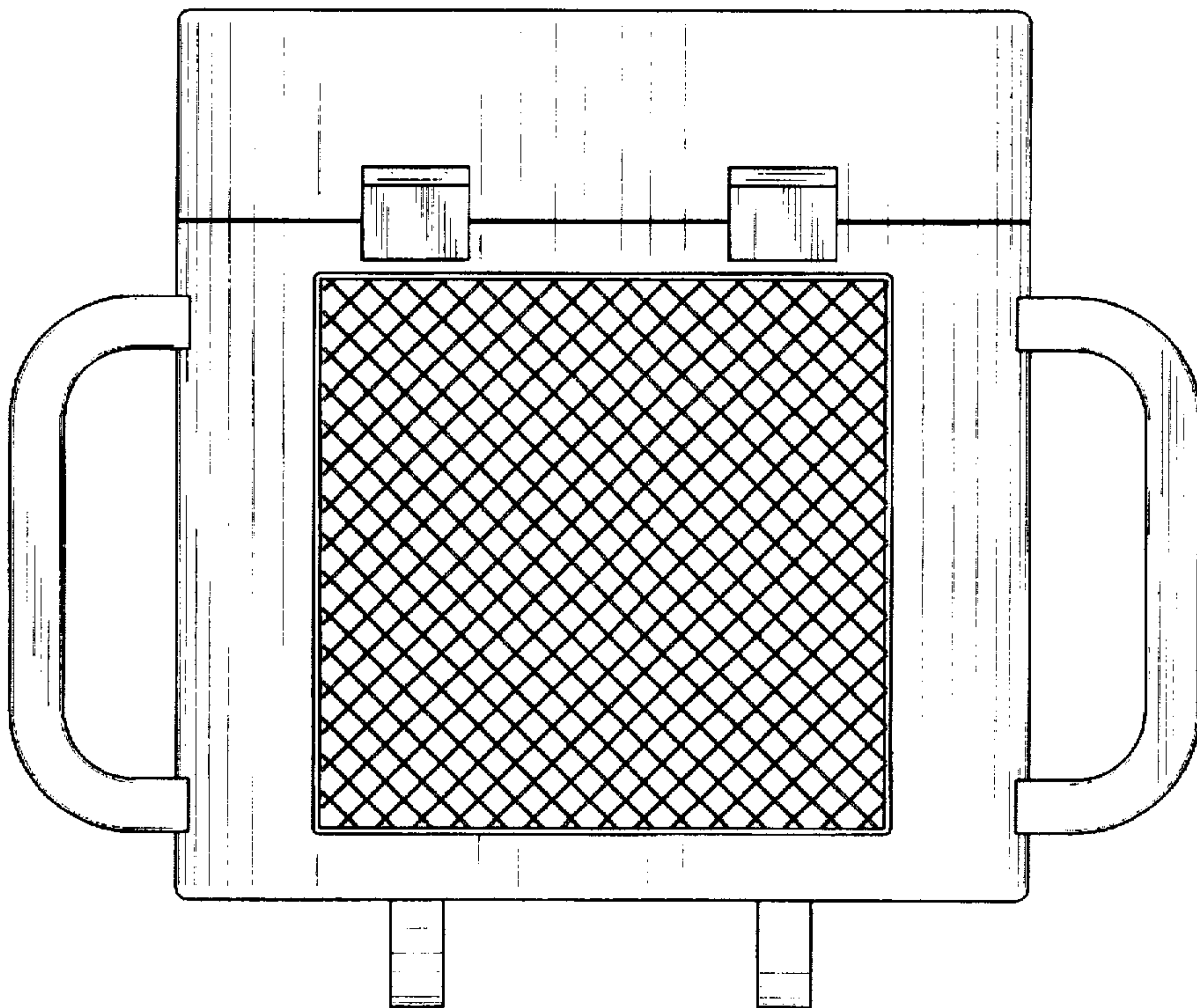


FIG. 2

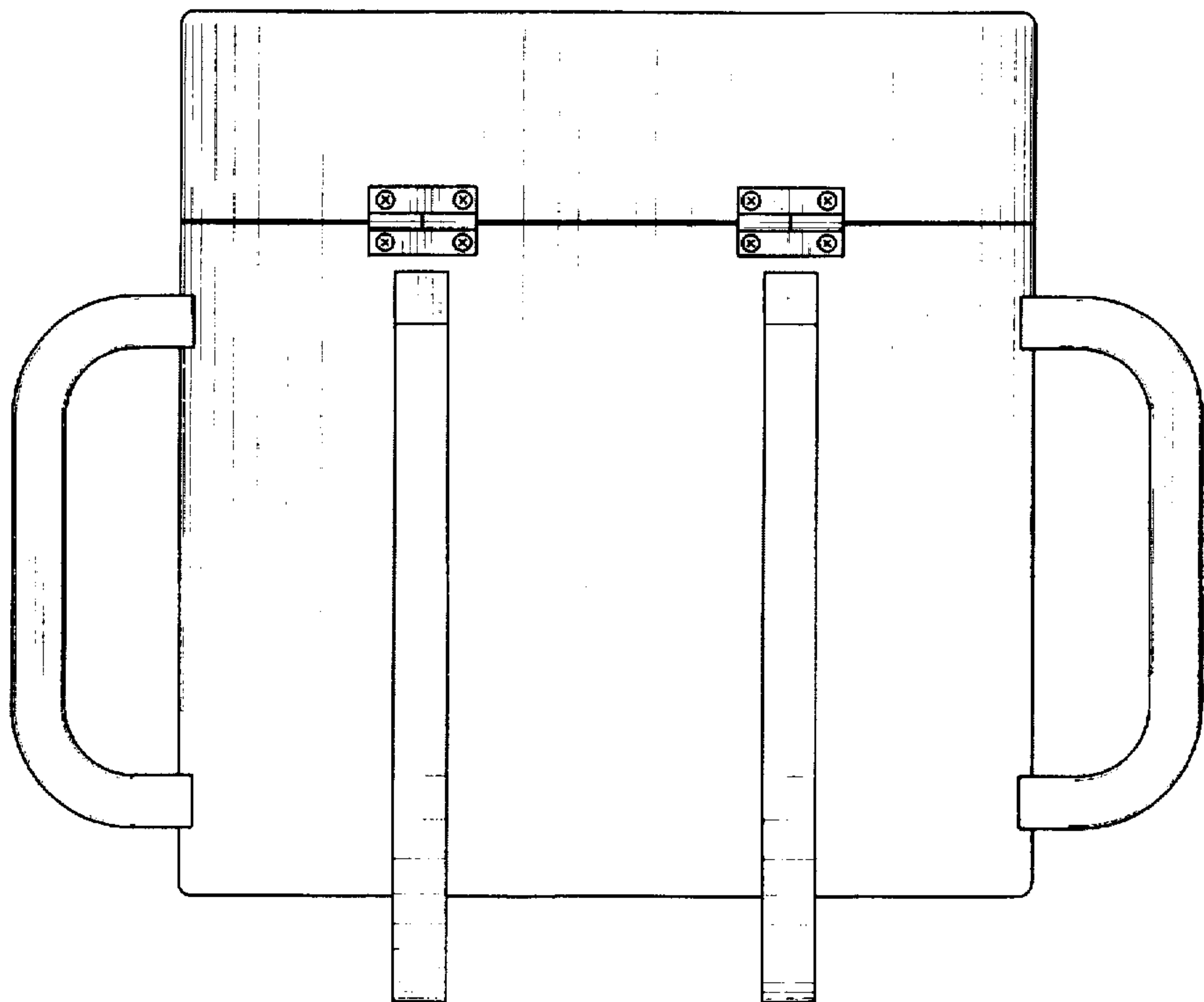


FIG. 3

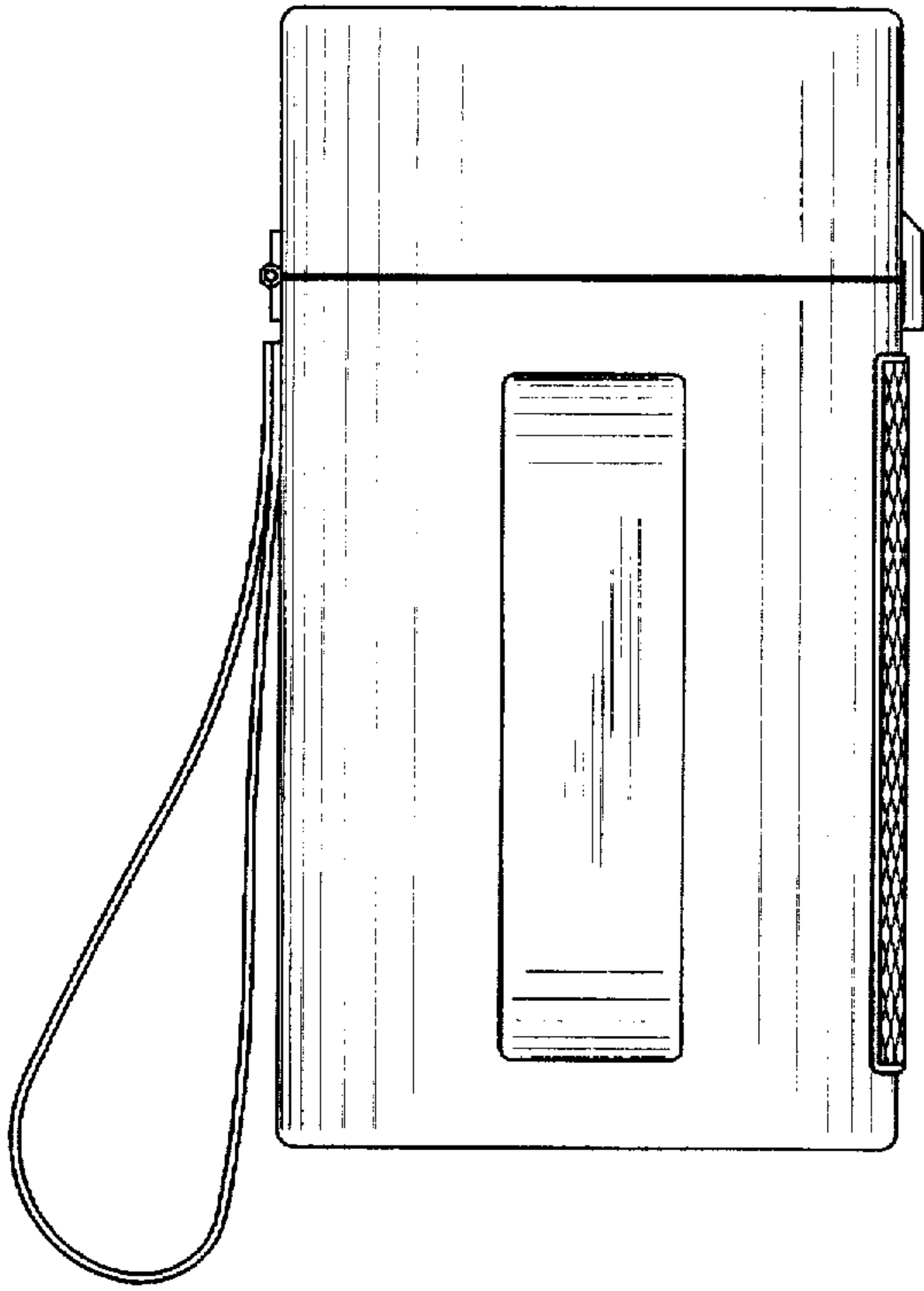


FIG. 4

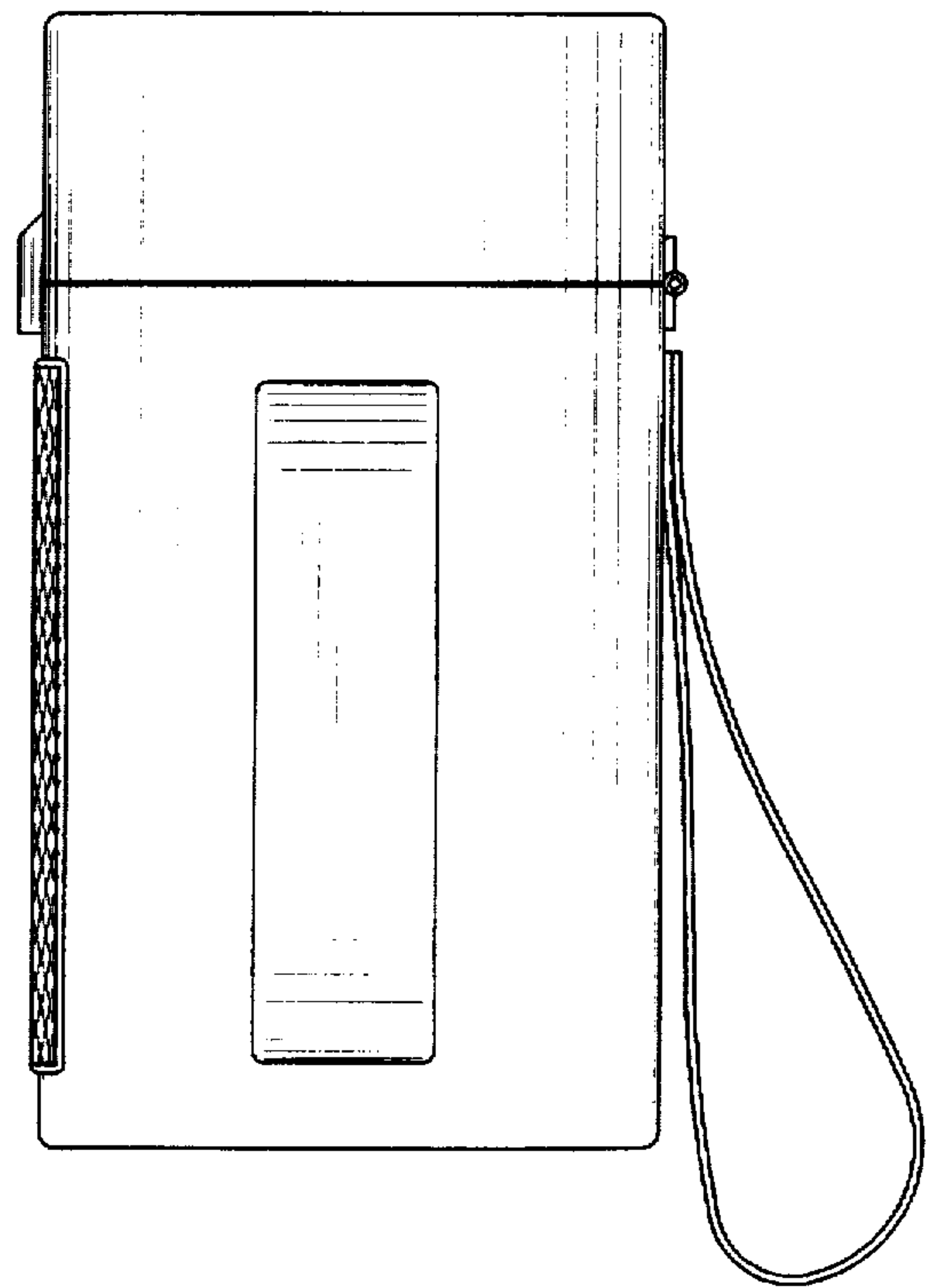


FIG. 5

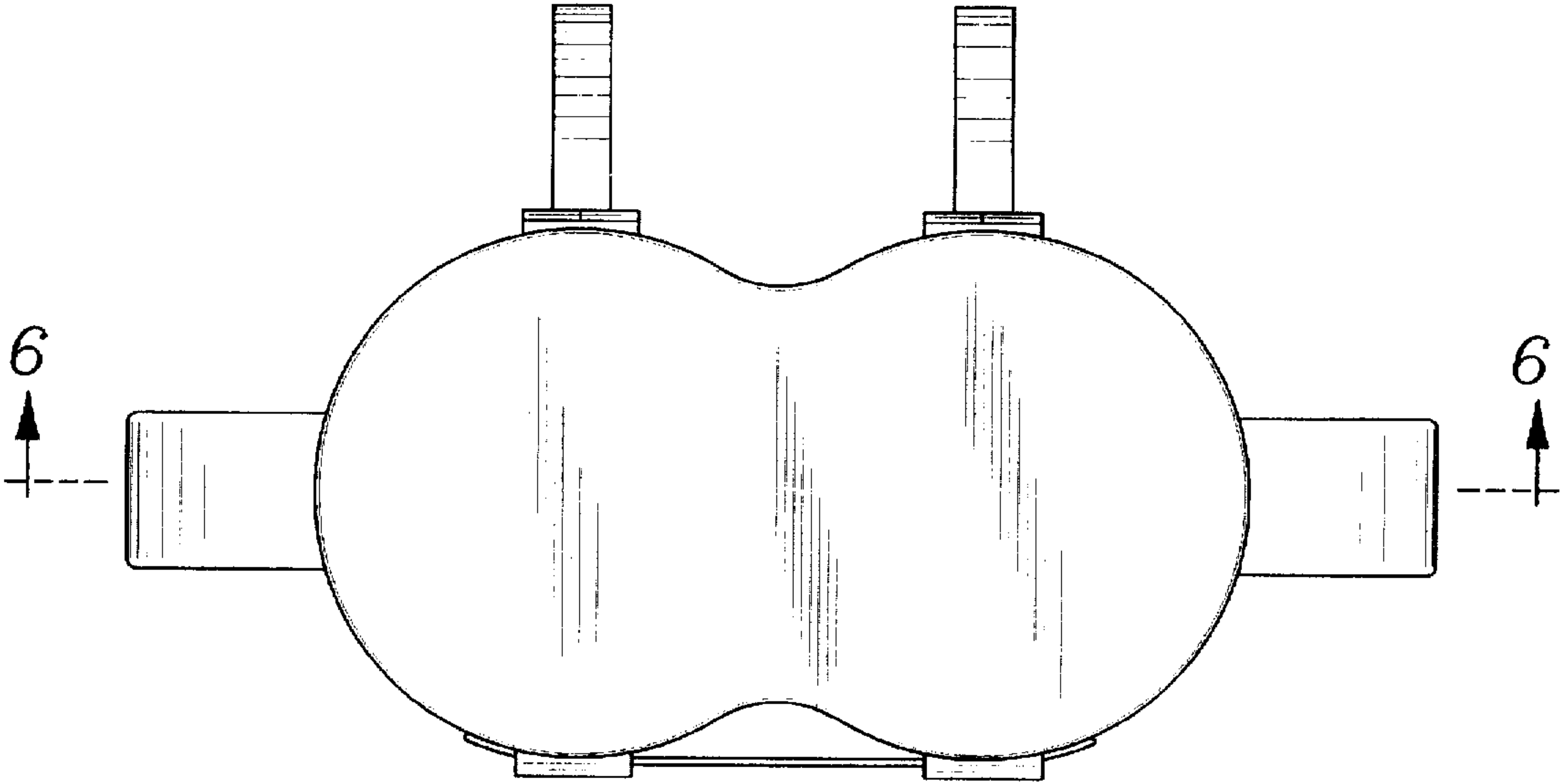


FIG. 6

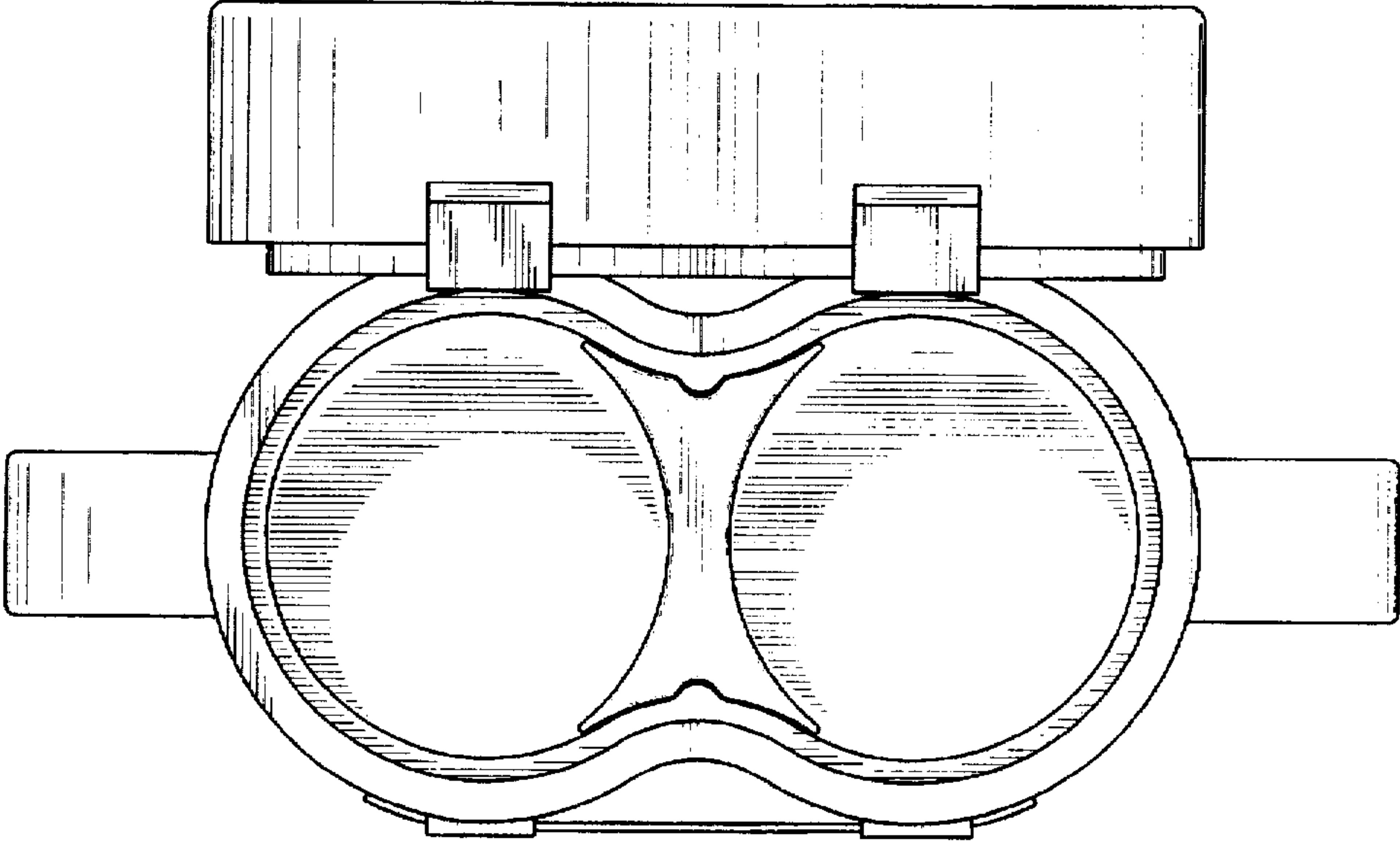


FIG. 7

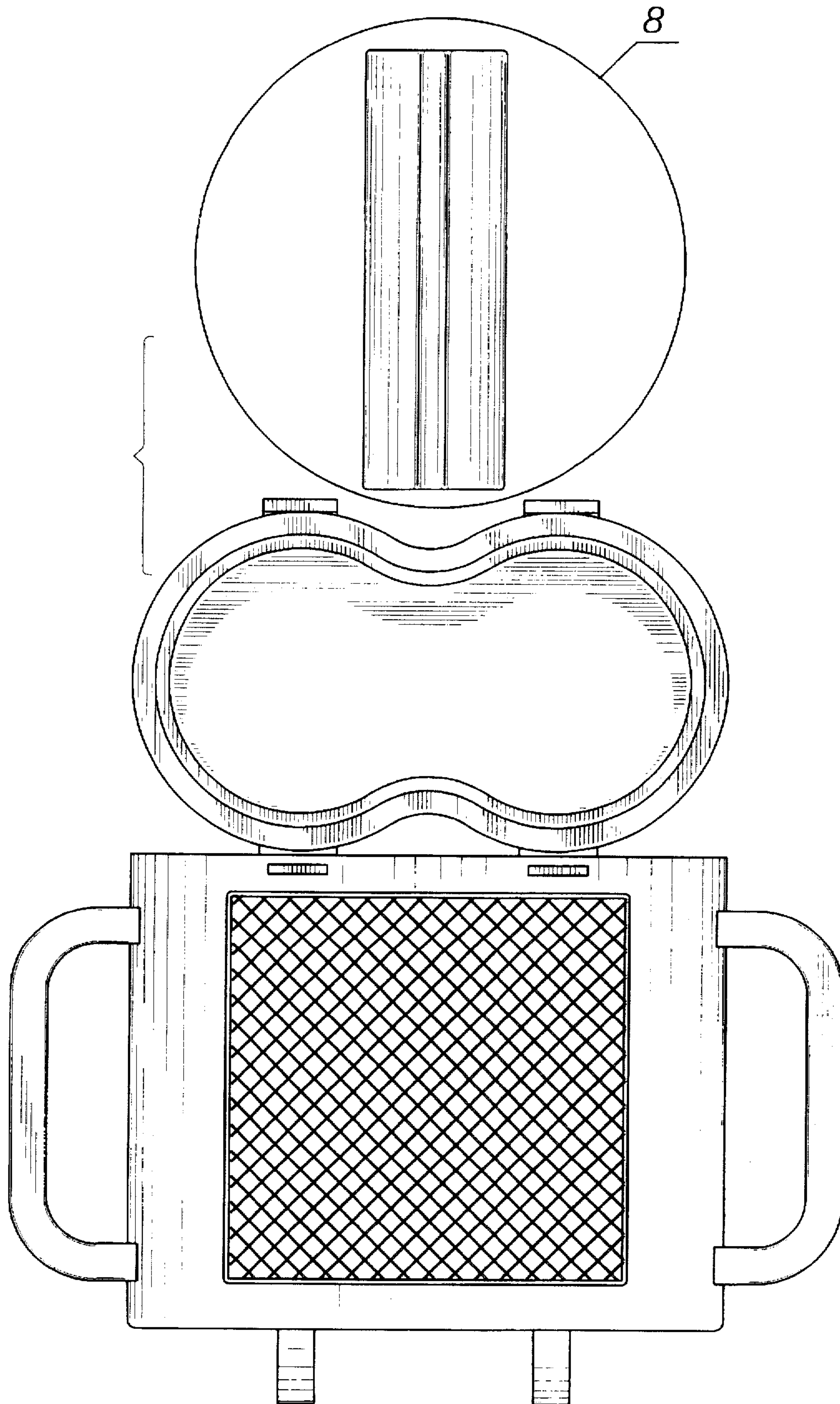


FIG. 8

