



US00D386357S

**United States Patent** [19]  
**Davidson**

[11] **Patent Number: Des. 386,357**  
[45] **Date of Patent: \*\*Nov. 18, 1997**

[54] **BLENDER JAR**

D. 347,144 5/1994 Brady ..... D7/413

[75] Inventor: **Carl B. Davidson**, Mocksville, N.C.

**OTHER PUBLICATIONS**

[73] Assignee: **Black & Decker Inc.**, Newark, Del.

Macy's Sale Magazine; p. 6, #E Hamilton Beach Food Processor/blender; bottom middle.

[\*\*] Term: **14 Years**

*Primary Examiner*—Caron D. Veynar

[21] Appl. No.: **50,539**

*Attorney, Agent, or Firm*—Dennis A. Dearing; Charles E. Yocum; John D. Del Ponti

[22] Filed: **Jan. 3, 1996**

[57] **CLAIM**

**Related U.S. Application Data**

The ornamental design for a blender jar, as shown and described.

[63] Continuation of Ser. No. 35,066, Feb. 17, 1995, abandoned.

**DESCRIPTION**

[51] **LOC (6) Cl.** ..... **31-00**

[52] **U.S. Cl.** ..... **D7/413**

[58] **Field of Search** ..... D7/376-378, 412-413;  
366/129, 130, 197, 199, 204, 205, 314

FIG. 1 is a perspective view of a blender jar showing my new design;

FIG. 2 is a front elevational view thereof;

FIG. 3 is a rear elevational view thereof;

FIG. 4 is a right side elevational view thereof;

FIG. 5 is a left side elevational view thereof;

FIG. 6 is a top plan view thereof; and,

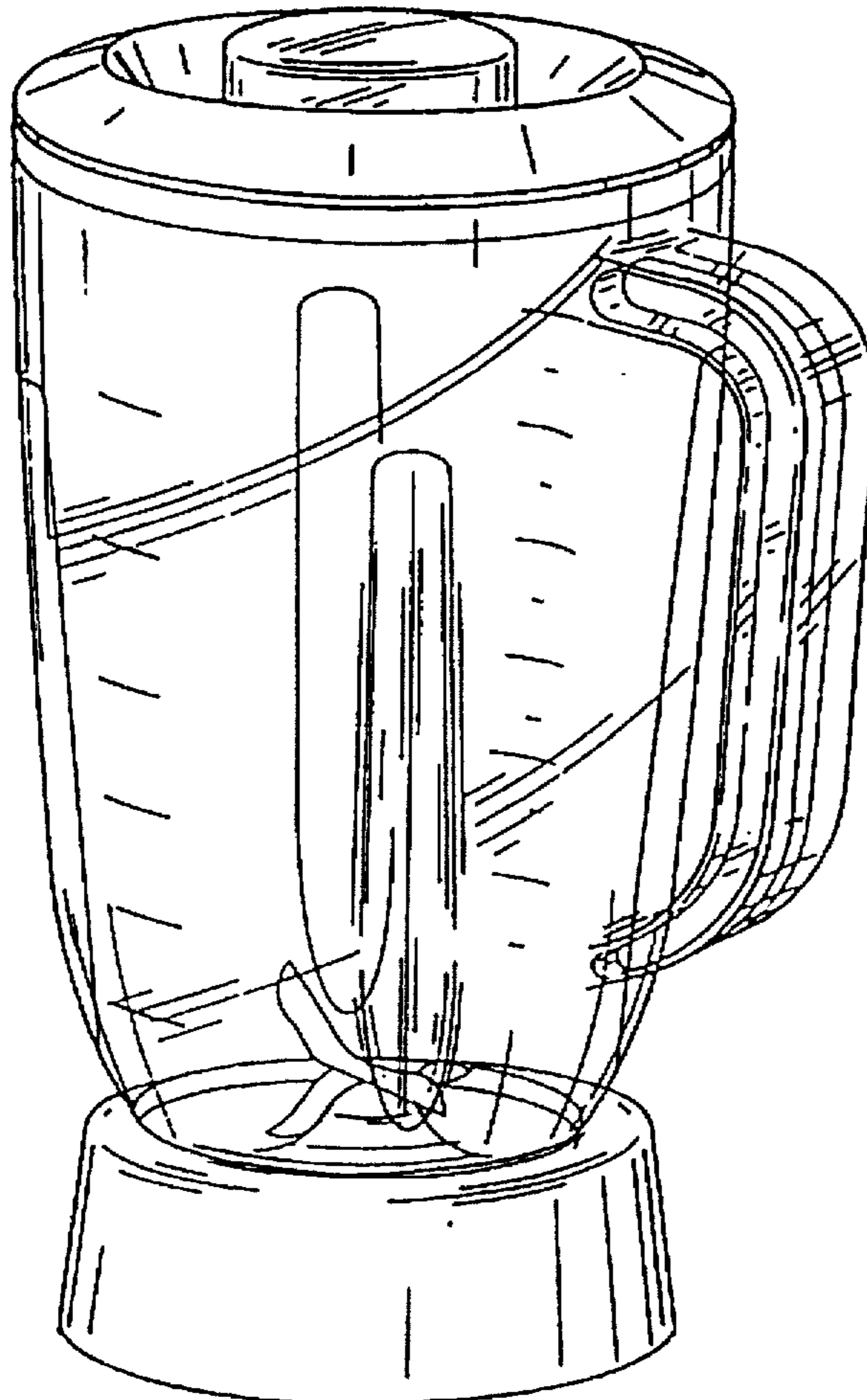
FIG. 7 is a bottom plan view thereof.

[56] **References Cited**

**U.S. PATENT DOCUMENTS**

D. 204,924 5/1966 Di Sesa ..... D7/378  
D. 208,749 9/1967 Slotnik ..... D7/413  
D. 341,748 11/1993 Correa ..... D7/378

**1 Claim, 6 Drawing Sheets**



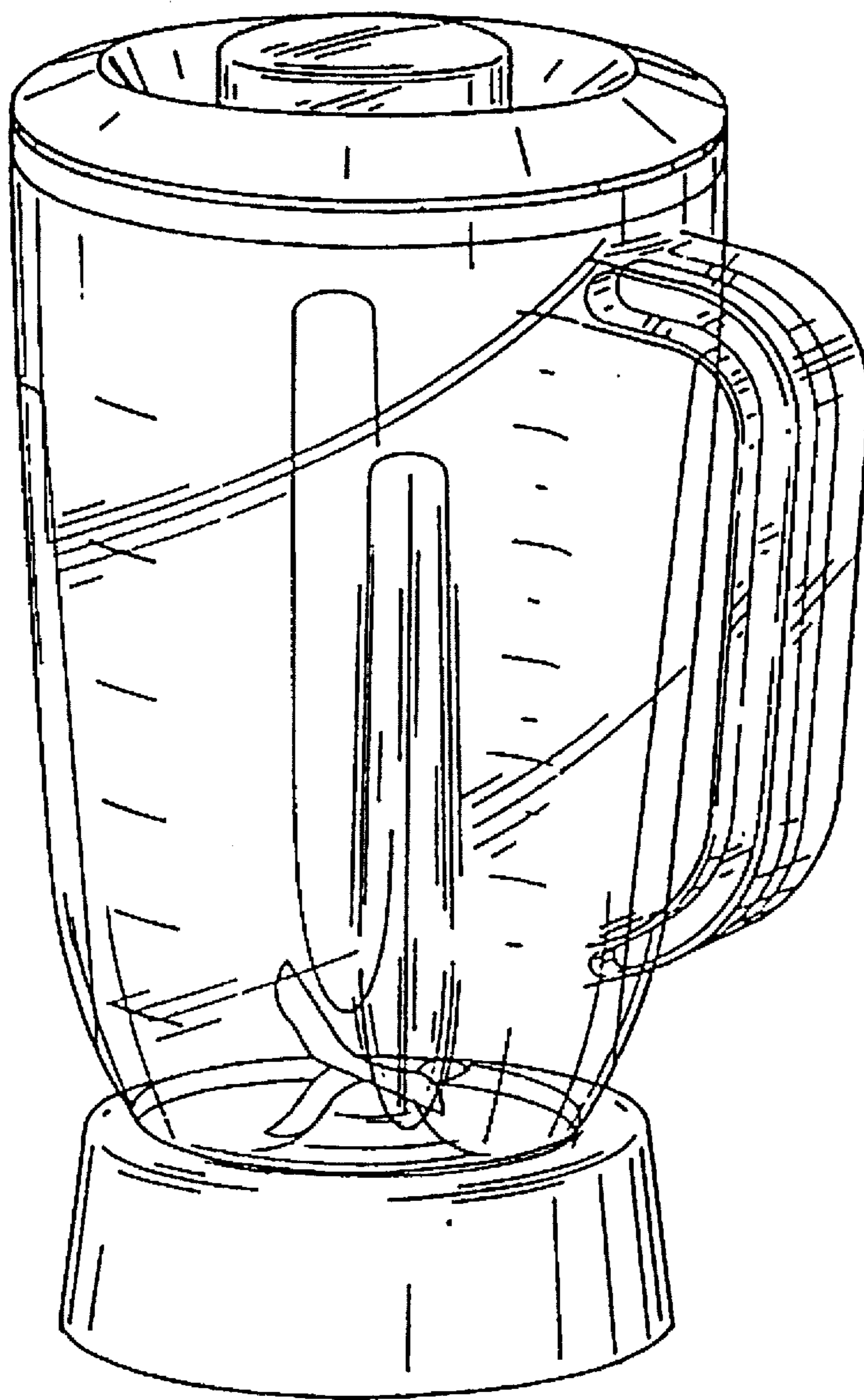


FIG. 1

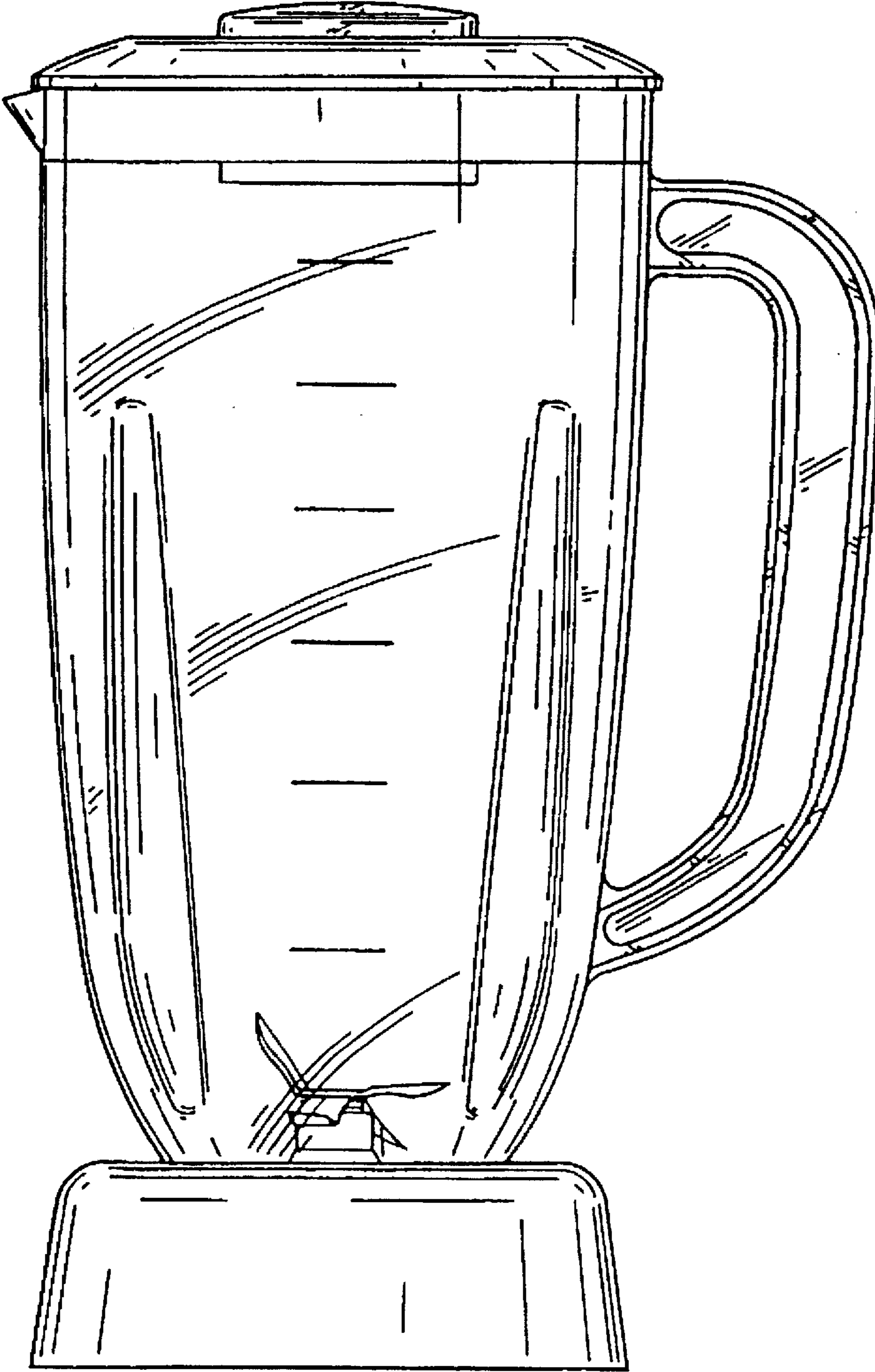


FIG. 2

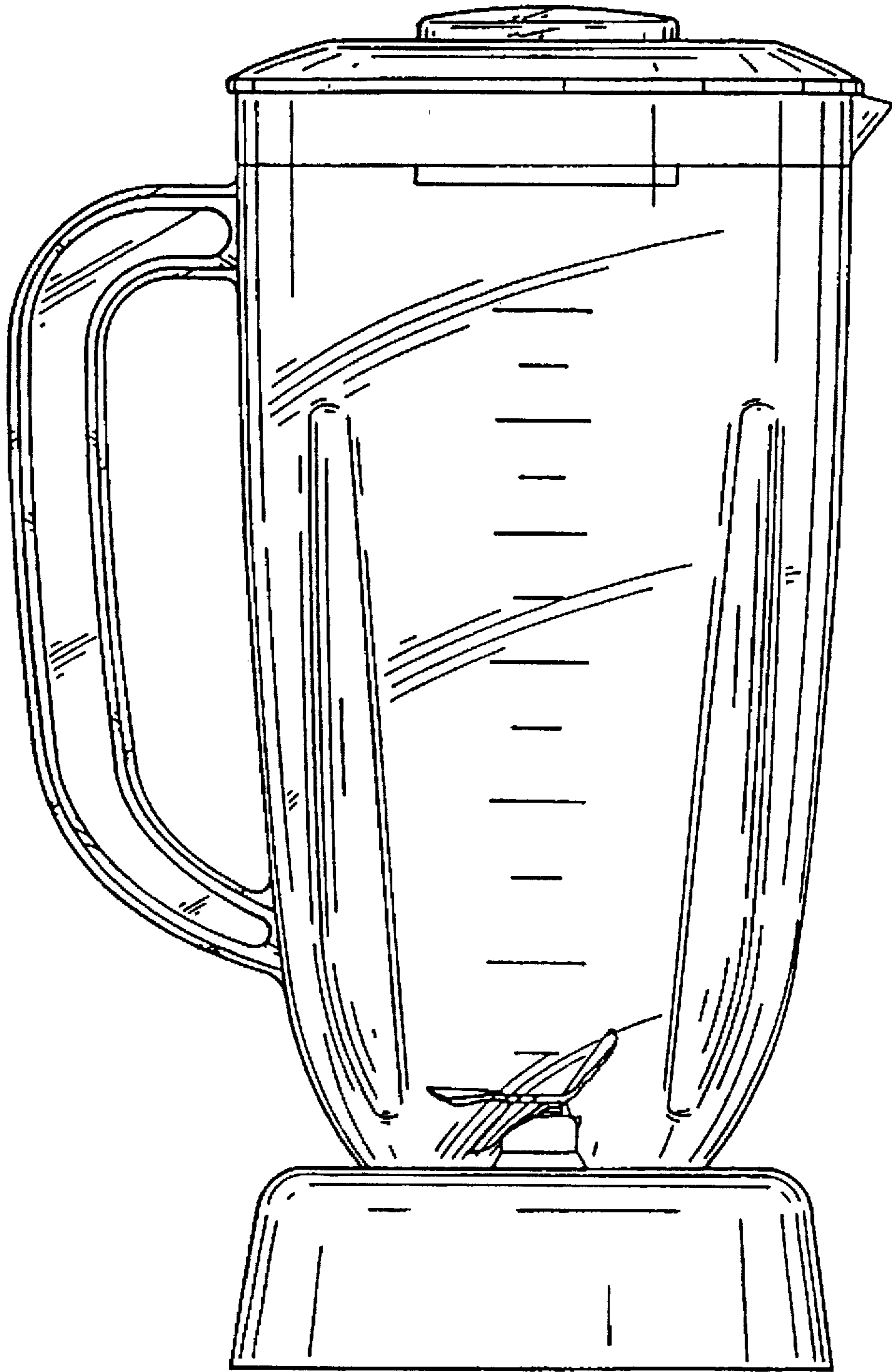


FIG. 3

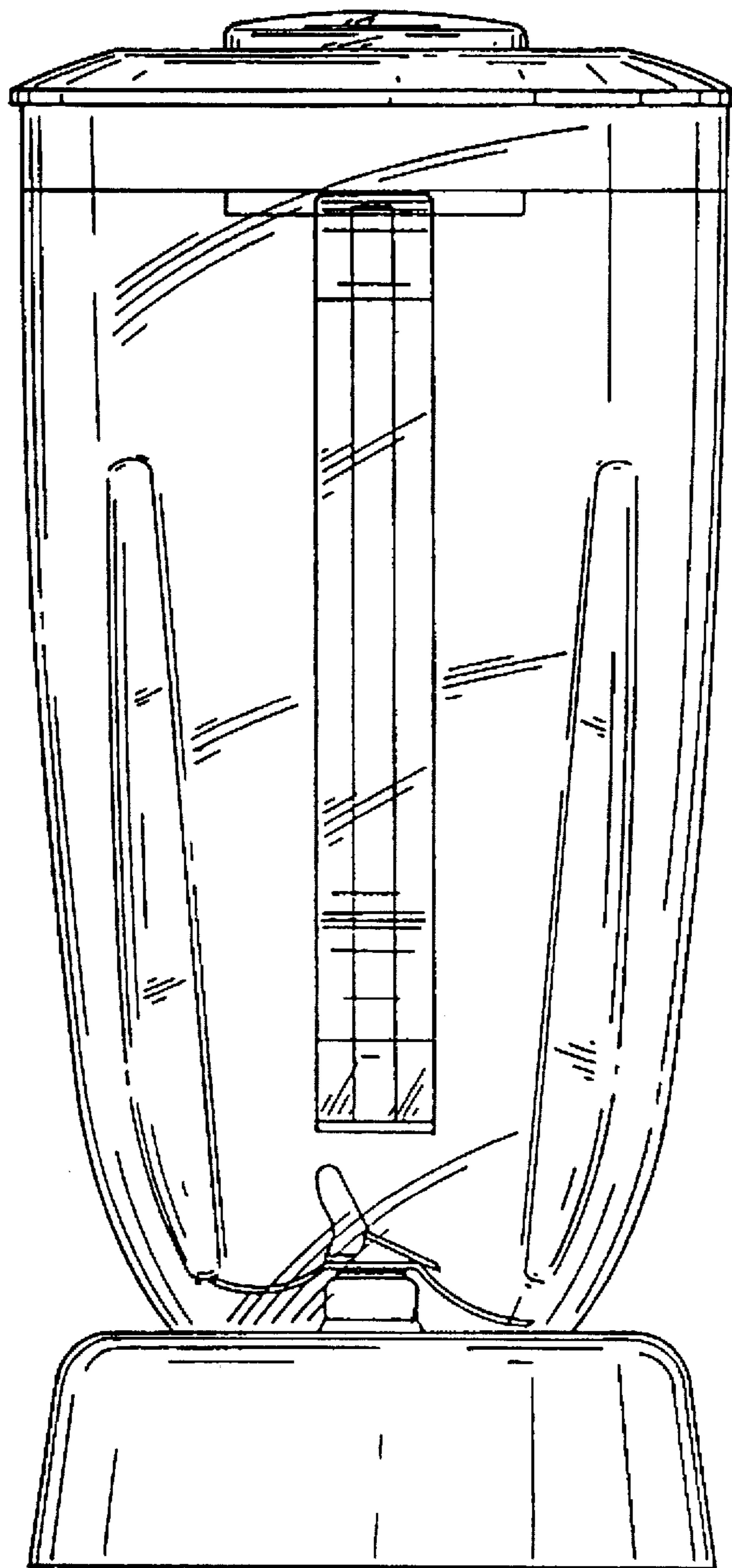


FIG. 4

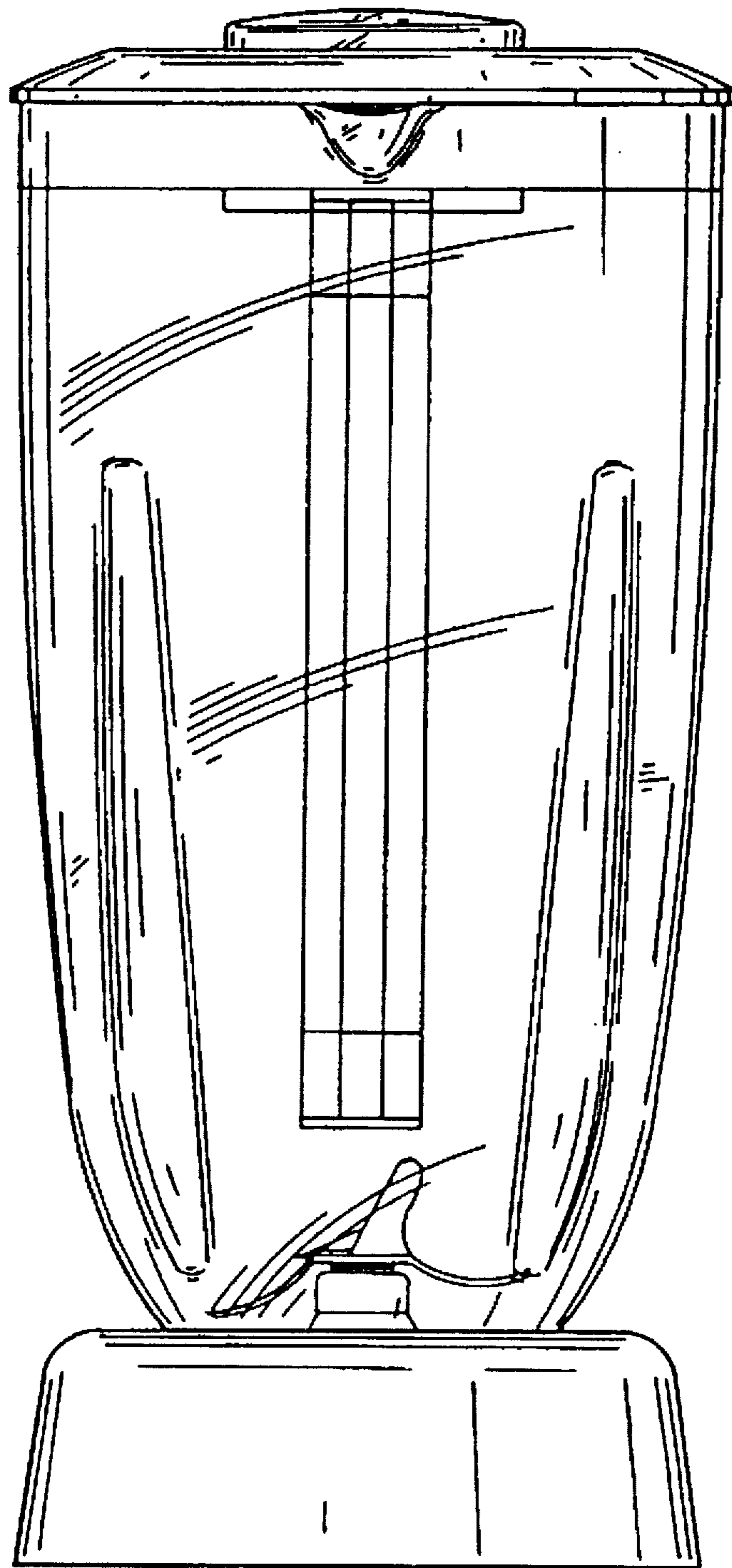


FIG. 5

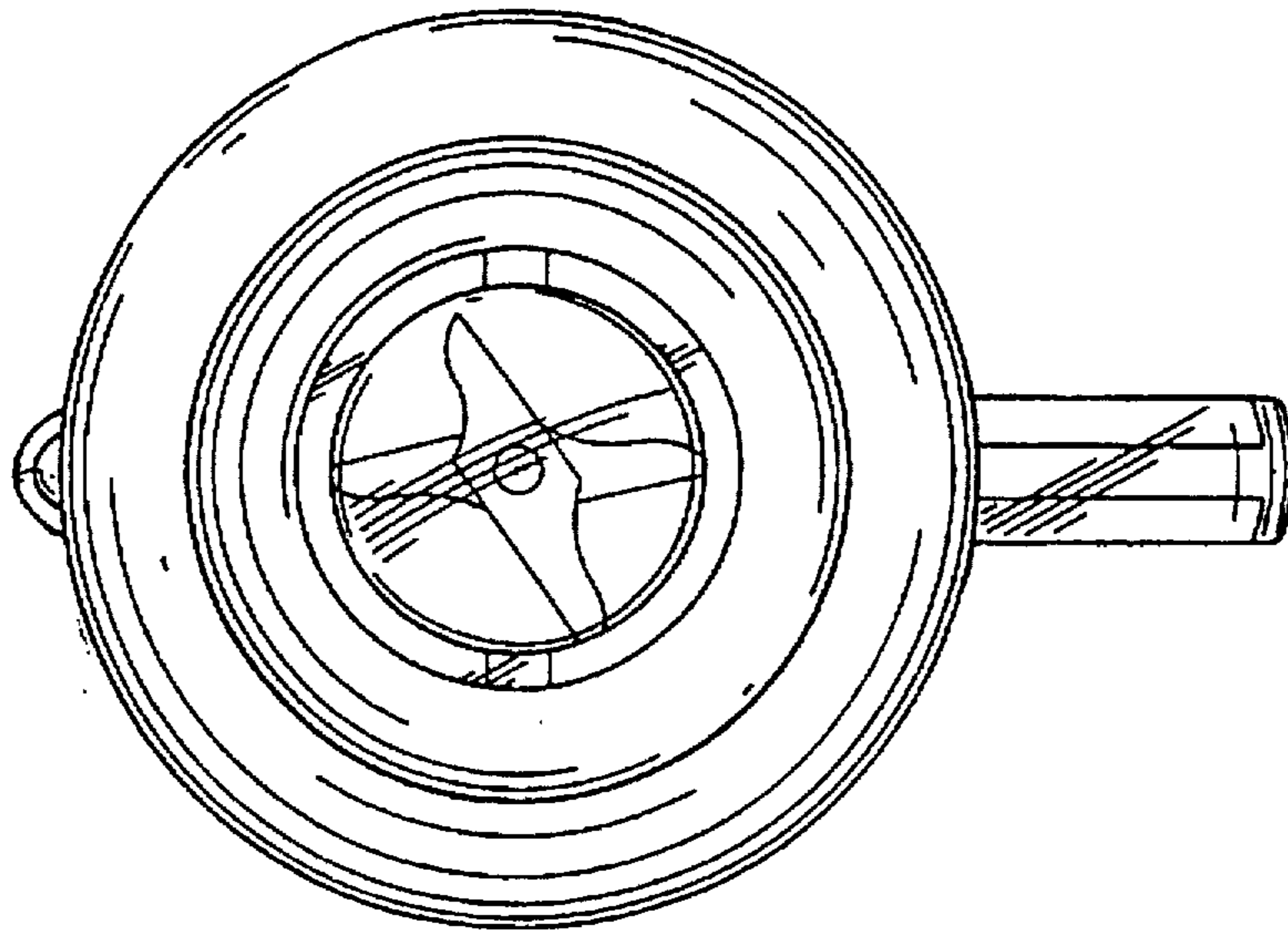


FIG. 6

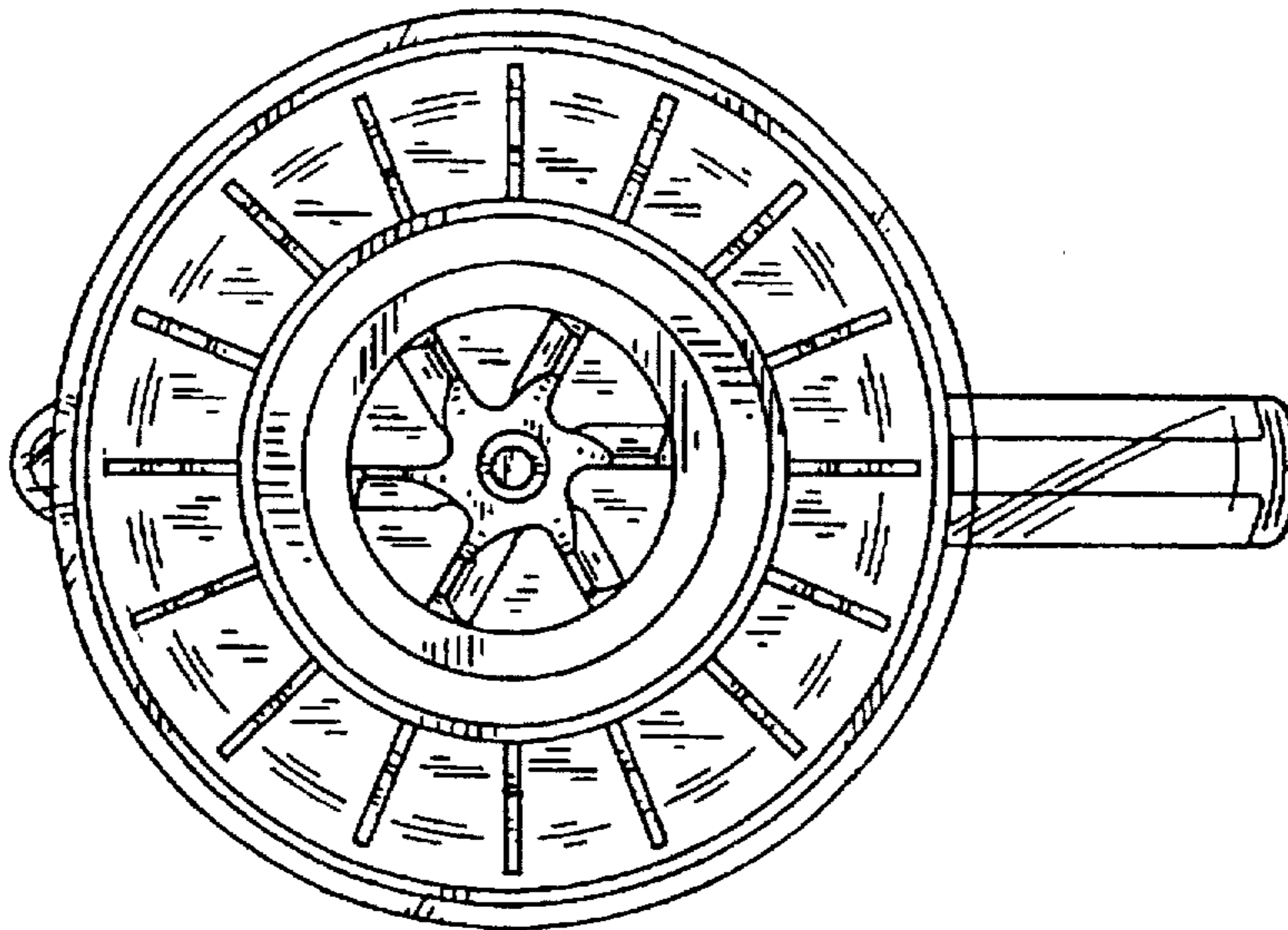


FIG. 7