



US00D386354S

**United States Patent** [19]  
**Hoekstra**

[11] **Patent Number: Des. 386,354**  
[45] **Date of Patent: \*\*Nov. 18, 1997**

[54] **COOKWARE**

[75] **Inventor: Jan A. N. Hoekstra, Rotterdam, Netherlands**

[73] **Assignee: Verkoopmaatschappij Van Kempen & Begeer B.V., Zoetermeer, Netherlands**

[\*\*] **Term: 14 Years**

[21] **Appl. No.: 54,709**

[22] **Filed: May 20, 1996**

[30] **Foreign Application Priority Data**

Nov. 21, 1995 [BX] Benelux TM/Des. Off. .... 71325-00

[51] **LOC (6) Cl. .... 07-02**

[52] **U.S. Cl. .... D7/360; D7/358; D7/538; D7/543**

[58] **Field of Search .... D7/542, 355, 605, D7/612, 354, 543, 548, 360, 538, 356, 358, 323, 402; 99/417; 220/912, 23.4; 126/25 B**

[56] **References Cited**

**U.S. PATENT DOCUMENTS**

- D. 79,917 11/1929 Bergner ..... D7/542
- D. 130,253 11/1941 Pearce ..... D7/360
- D. 197,476 2/1964 De Puy ..... D7/360 X
- D. 270,030 8/1983 Catry ..... D7/360

- D. 300,598 4/1989 Ueda et al. .... D7/355 X
- D. 345,485 3/1994 Leung ..... D7/354 X
- D. 347,963 6/1994 Pretzsch ..... D7/360
- D. 374,373 10/1996 Ito ..... D7/360

*Primary Examiner*—M. N. Pandozzi  
*Attorney, Agent, or Firm*—Foley & Lardner

[57] **CLAIM**

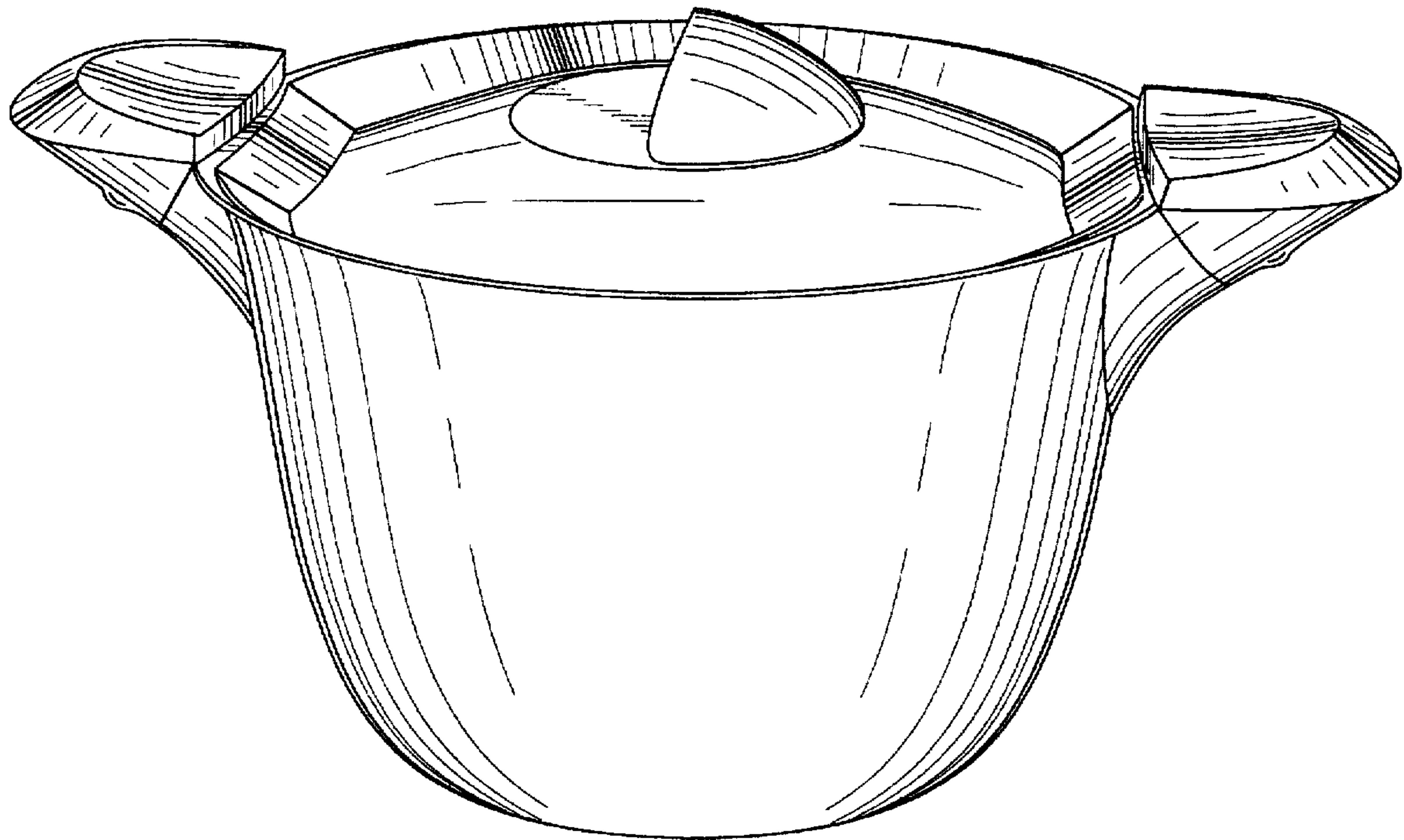
The ornamental design for cookware, as shown and described.

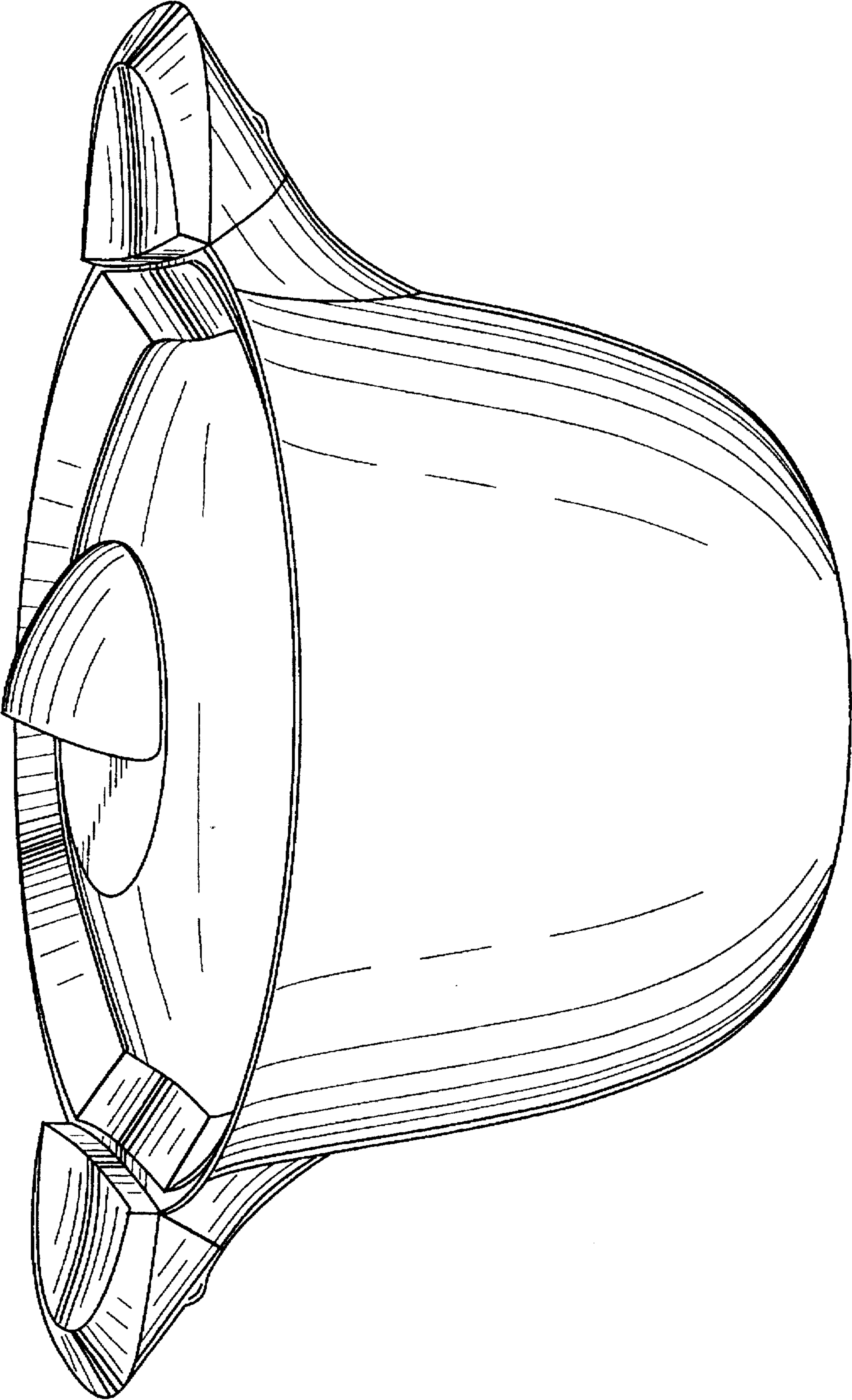
**DESCRIPTION**

FIG. 1 is a perspective view of cookware showing my new design;  
 FIG. 2 is a perspective view thereof, with the lid rotated 90°;  
 FIG. 3 is a perspective view thereof, with the lid slightly lifted;  
 FIG. 4 is a perspective view thereof, illustrated in use with liquid being dispensed;  
 FIG. 5 is a front elevational view thereof;  
 FIG. 6 is a rear elevational view thereof;  
 FIG. 7 is a right side elevational view thereof;  
 FIG. 8 is a left side elevational view thereof;  
 FIG. 9 is a top plan view thereof; and,  
 FIG. 10 is a bottom plan view thereof.

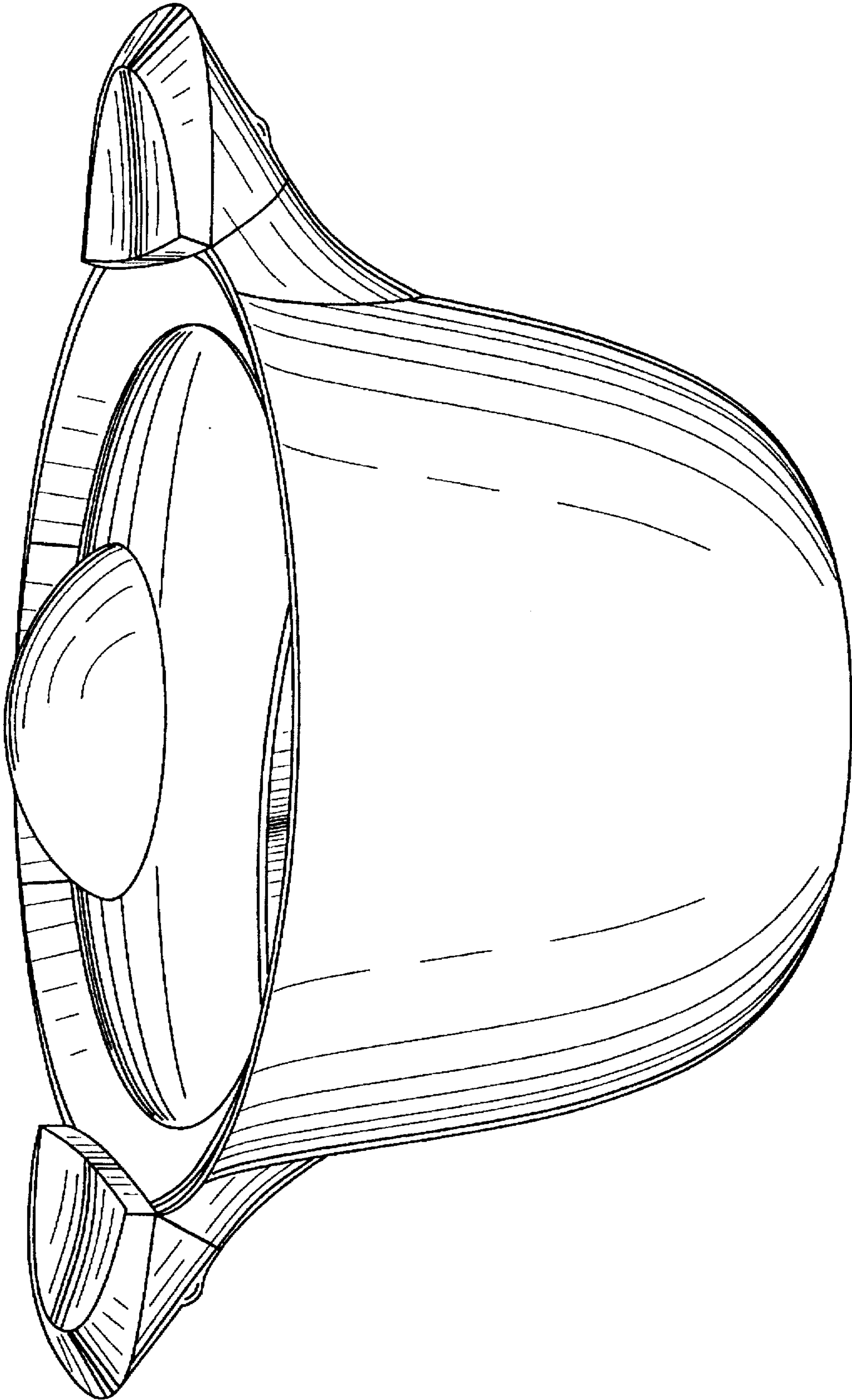
The broken line showing of dispensed liquid is for illustrative purposes only and forms no part of the claimed design.

**1 Claim, 10 Drawing Sheets**





**FIG. 1**



**FIG. 2**



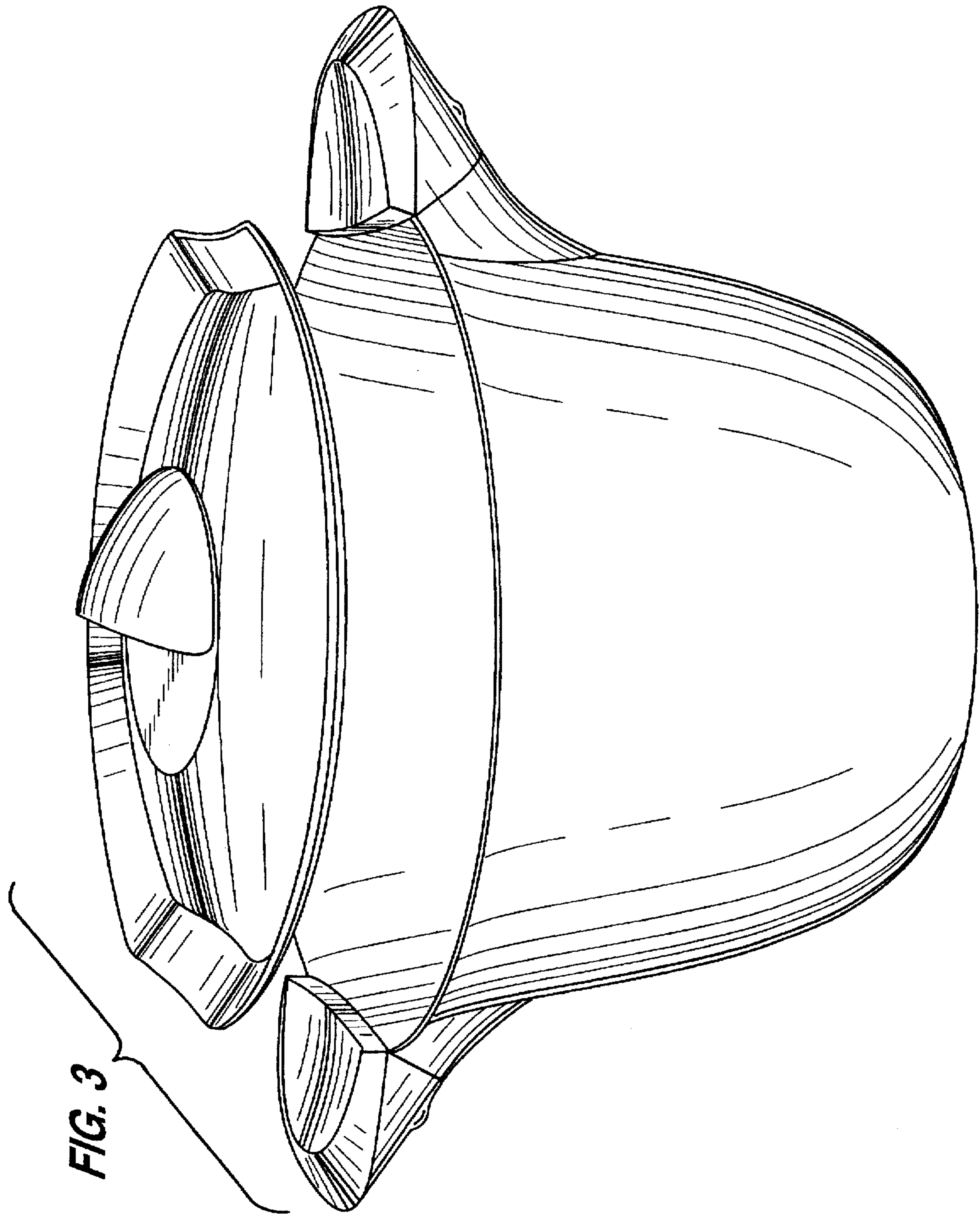
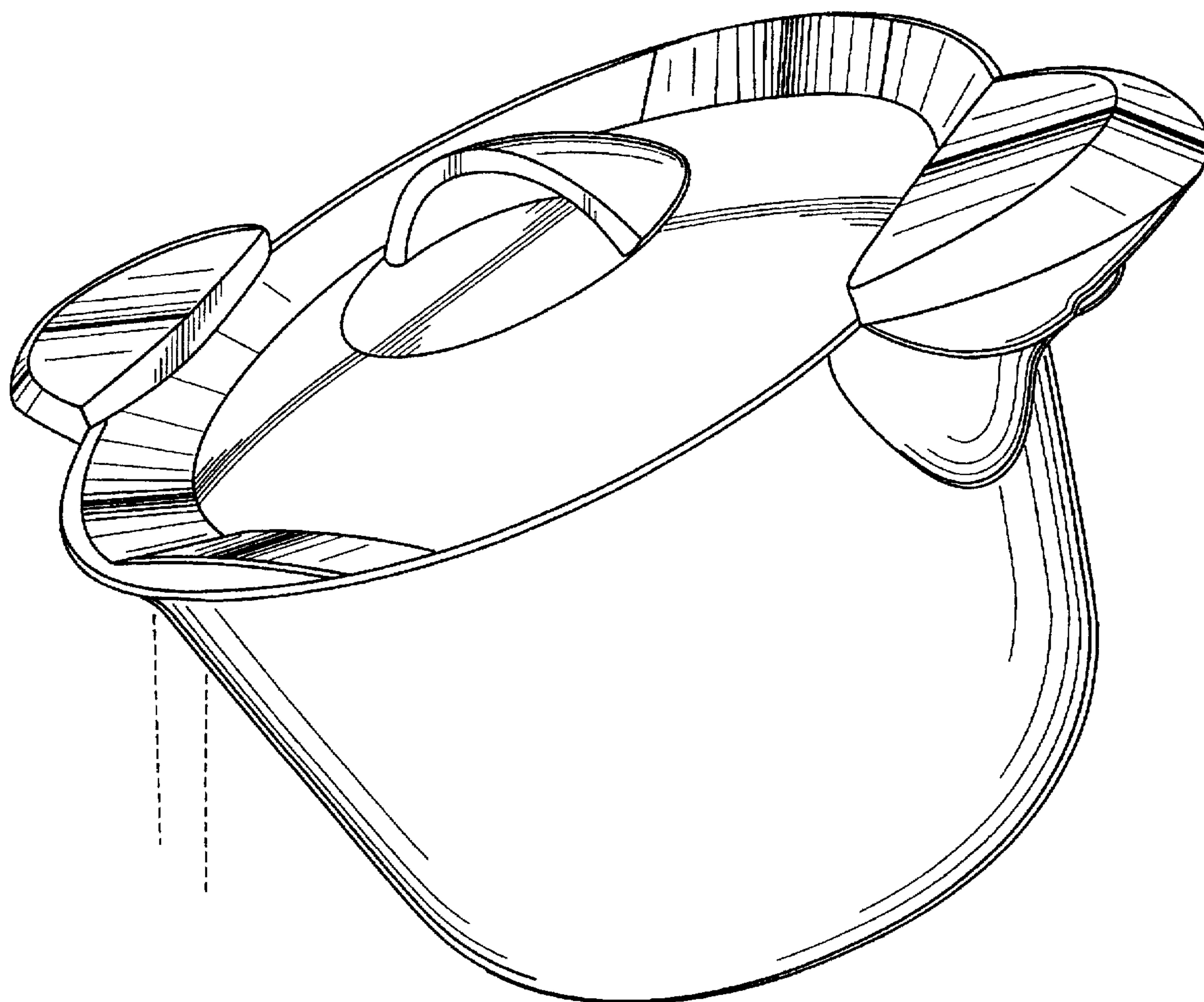
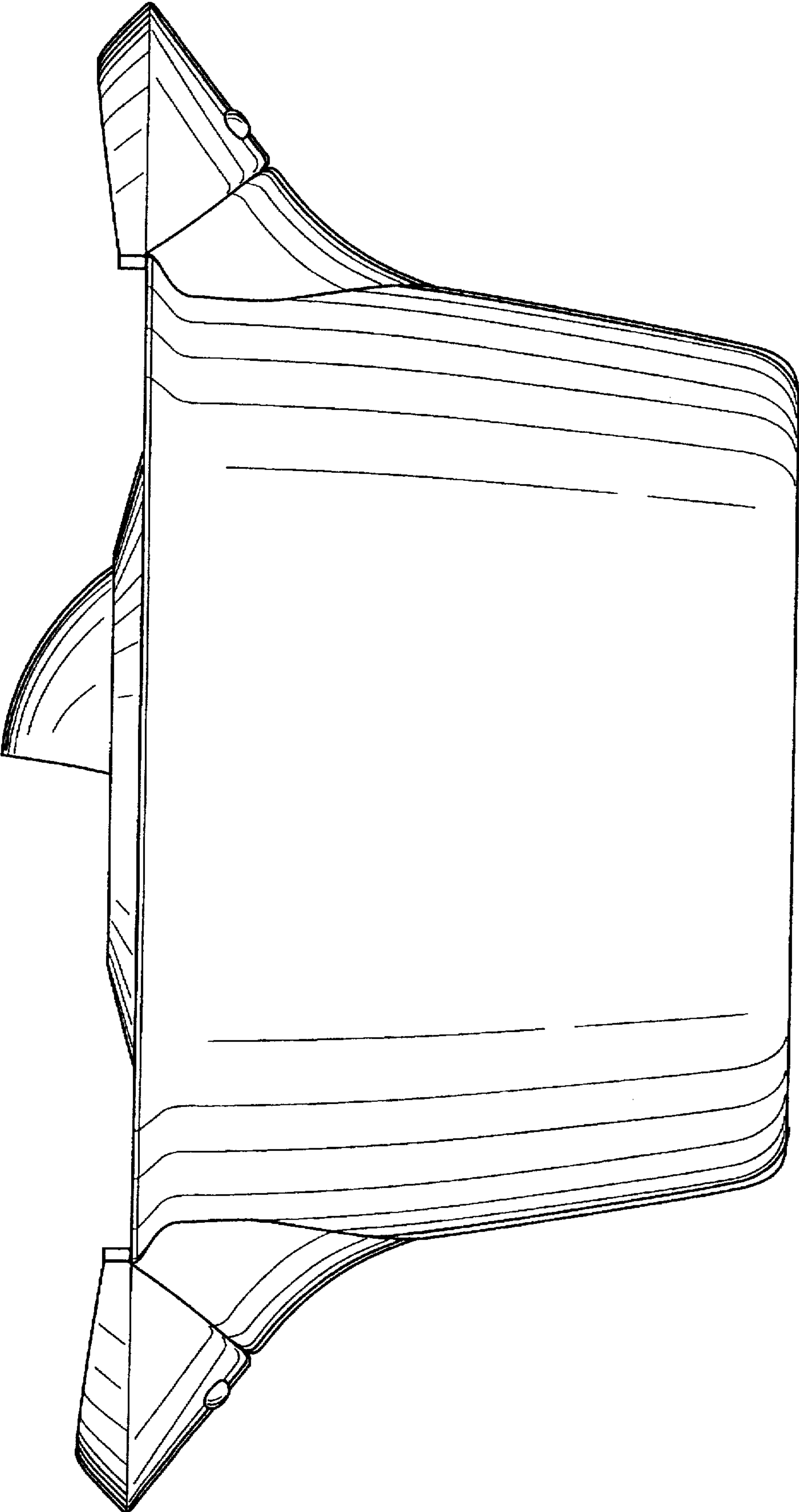


FIG. 3

*FIG. 4*





**FIG. 5**

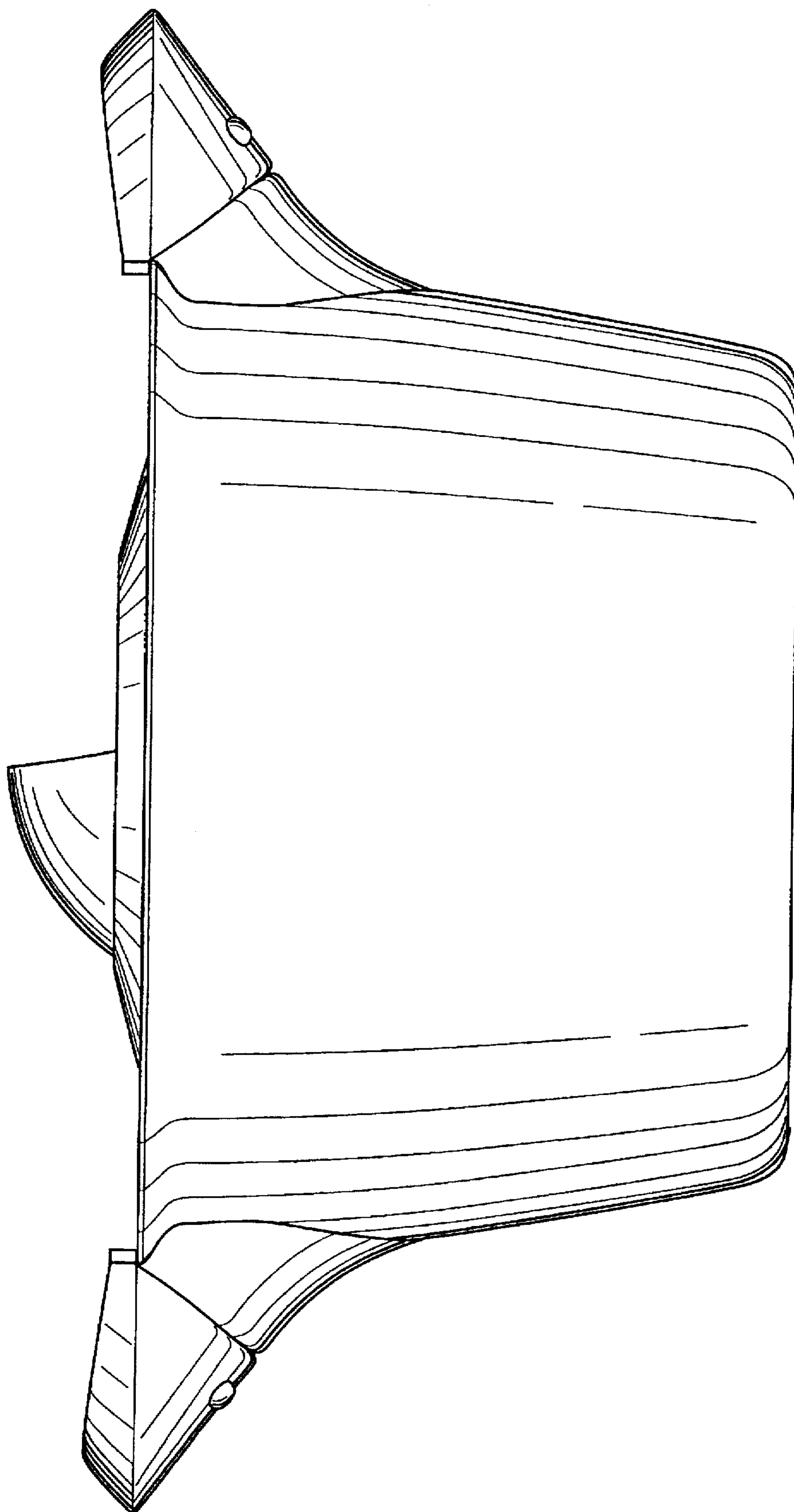
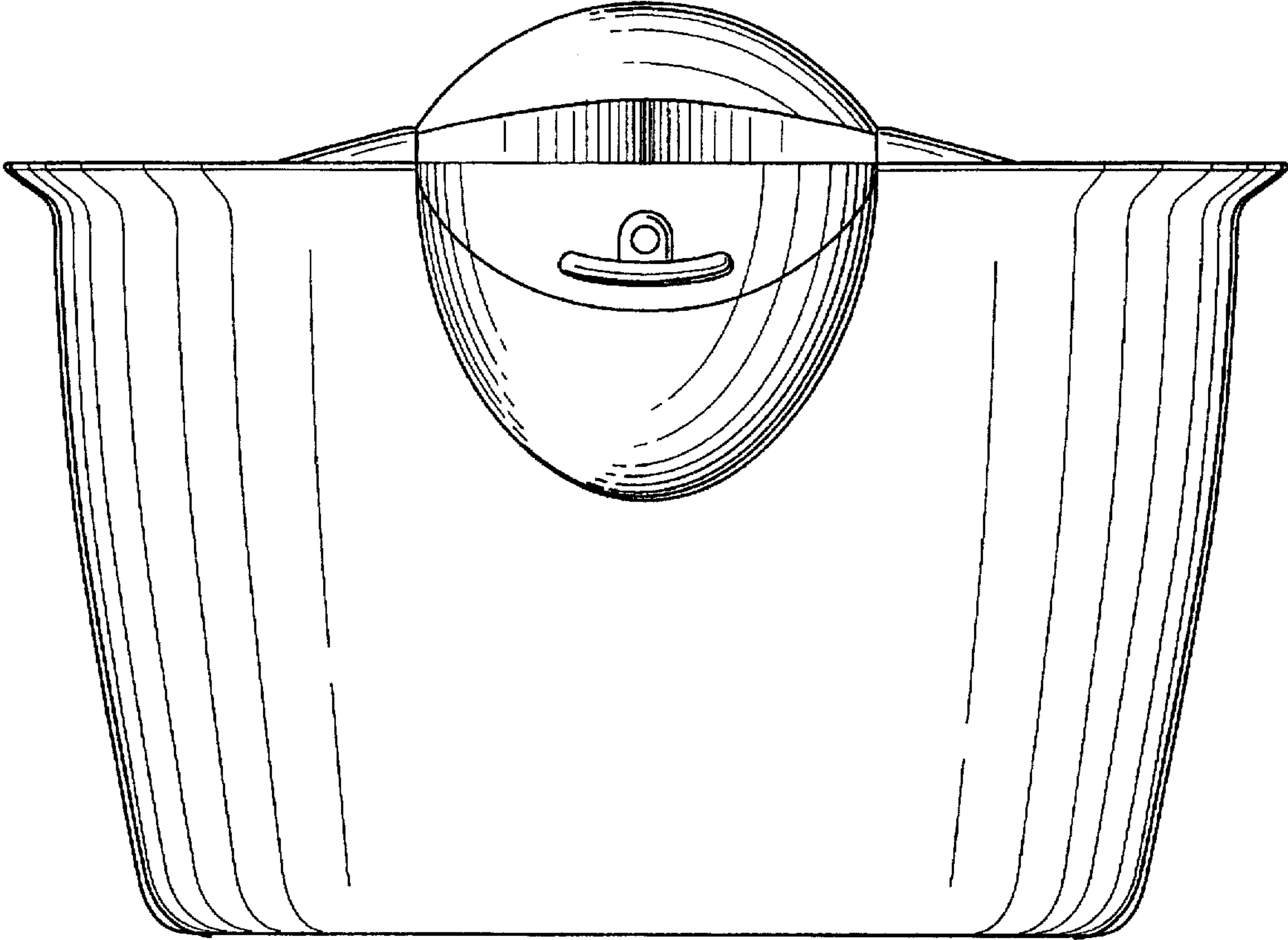


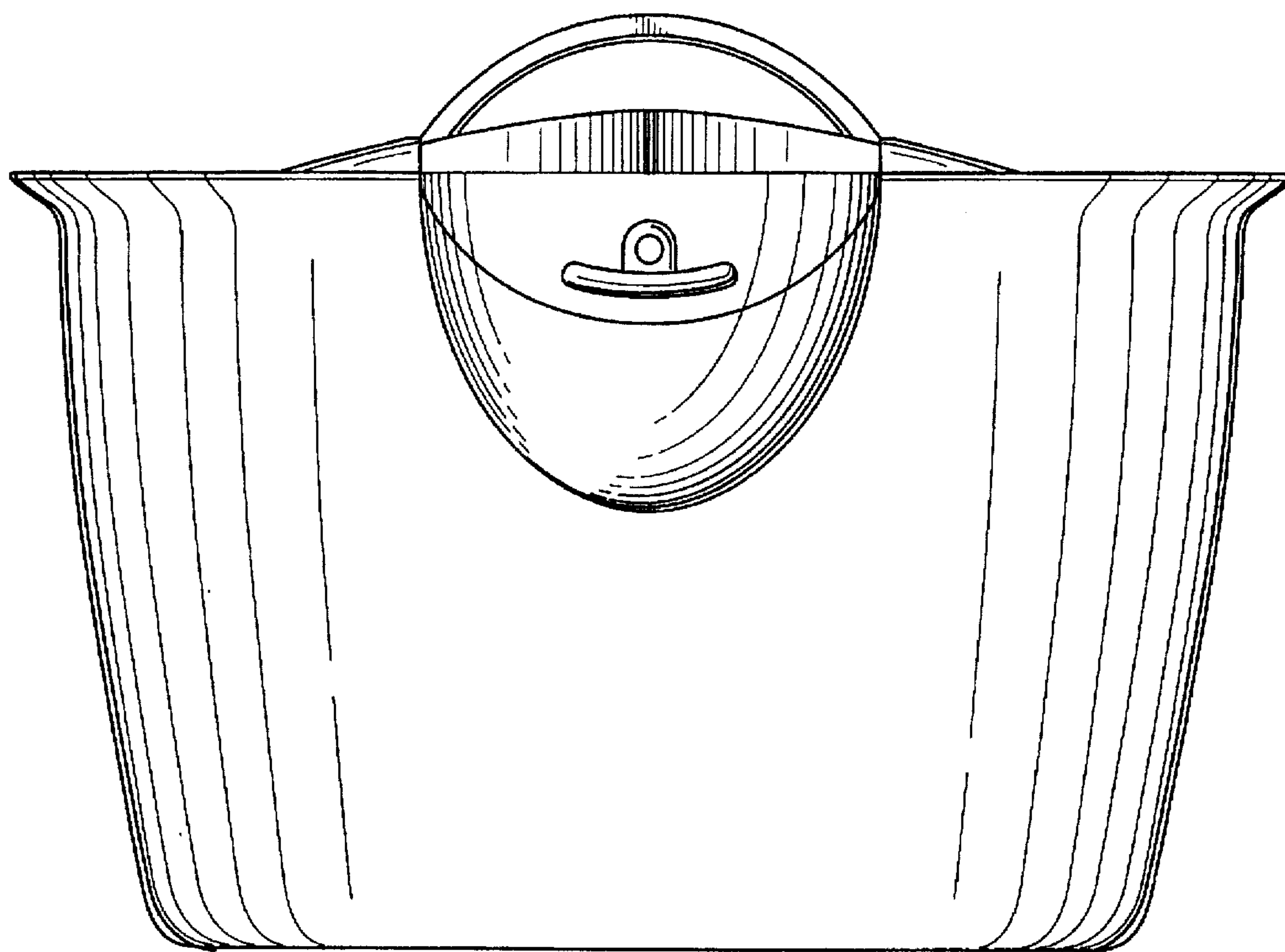
FIG. 6

*FIG. 7*





*FIG. 8*



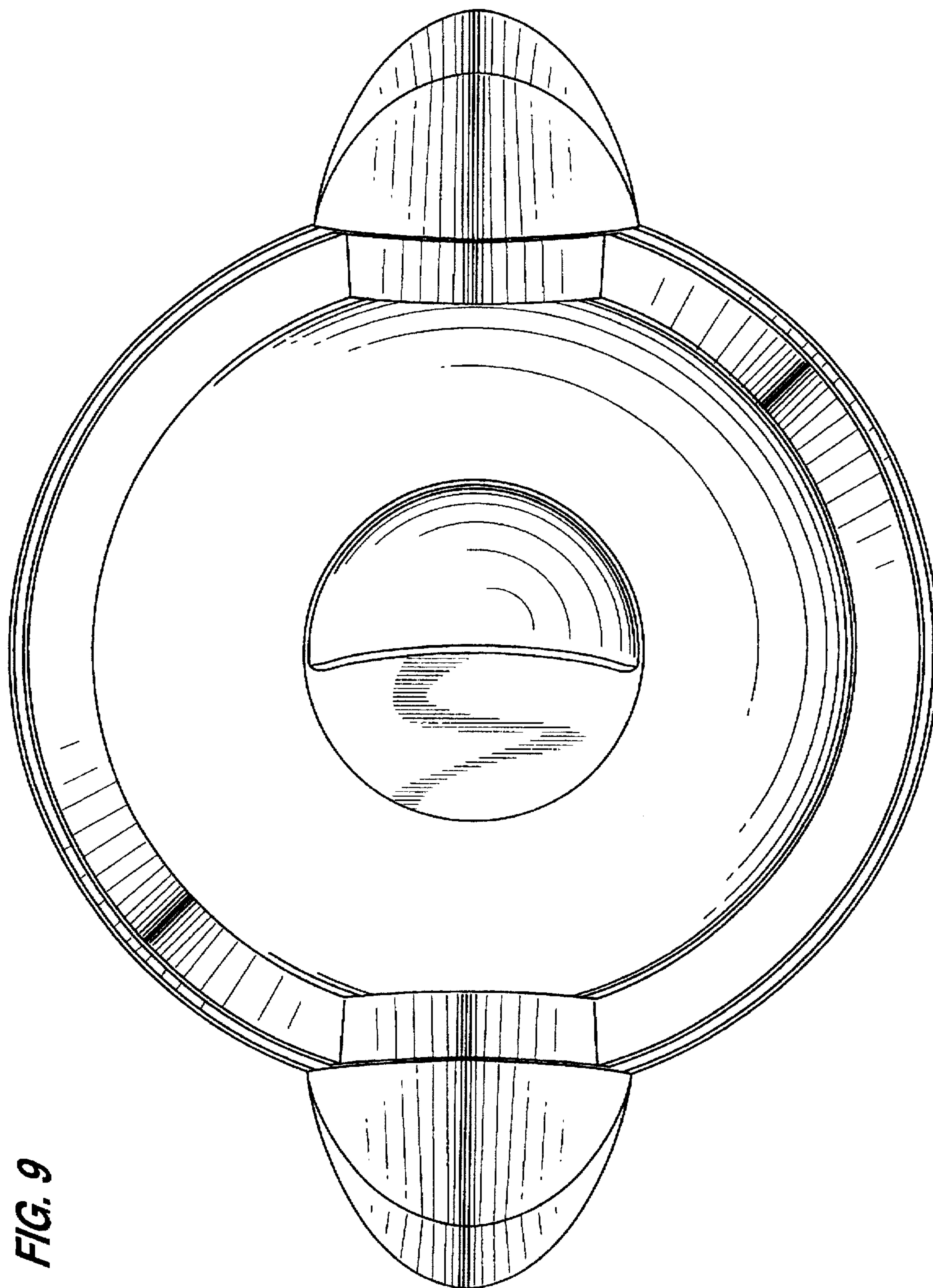


FIG. 9

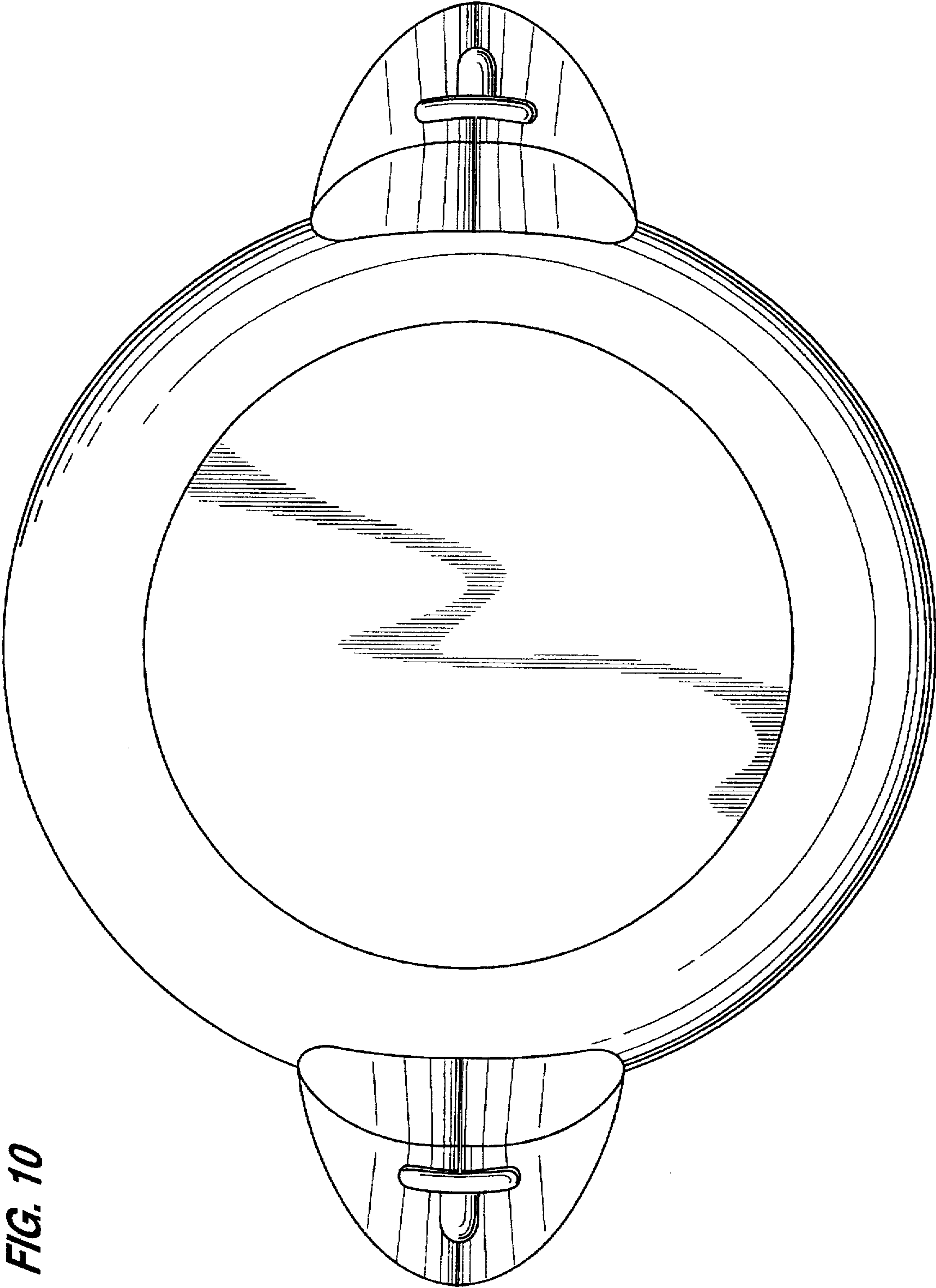


FIG. 10