



US00D386352S

United States Patent [19]
Mandell et al.

[11] **Patent Number: Des. 386,352**
[45] **Date of Patent: **Nov. 18, 1997**

[54] **CLASSIC TOASTER**
[75] **Inventors: Jonathan Mandell, Hattiesburg, Miss.;**
Paulette Abraham, Chicago, Ill.;
Shawn Hoss, Hattiesburg, Miss.
[73] **Assignee: Sunbeam Products, Inc., Delray**
Beach, Fla.
[**] **Term: 14 Years**

D. 310,004 8/1990 Storesberg D7/330
D. 338,131 8/1993 Stutzer D7/328 X
D. 375,017 10/1996 Barrault D7/330
1,656,848 1/1928 Wyatt D7/328 X
1,762,176 6/1930 Kuhn et al. 99/391
2,567,075 9/1951 Lindberg 99/328
2,611,849 9/1952 Gough 219/489
2,693,751 11/1954 Allen 99/339
4,345,513 8/1982 Holt D7/330 X

[21] **Appl. No.: 49,071**
[22] **Filed: Jan. 12, 1996**

Primary Examiner—Caron D. Veynar
Attorney, Agent, or Firm—Michael J. Kline

[51] **LOC (6) Cl. 07-02**
[52] **U.S. Cl. D7/330**
[58] **Field of Search D7/323, 328-330,**
D7/390; 99/327, 328, 339, 341, 372, 385,
389, 391, 392, 393; 219/489

[57] **CLAIM**
The ornamental design for a classic toaster, as shown.

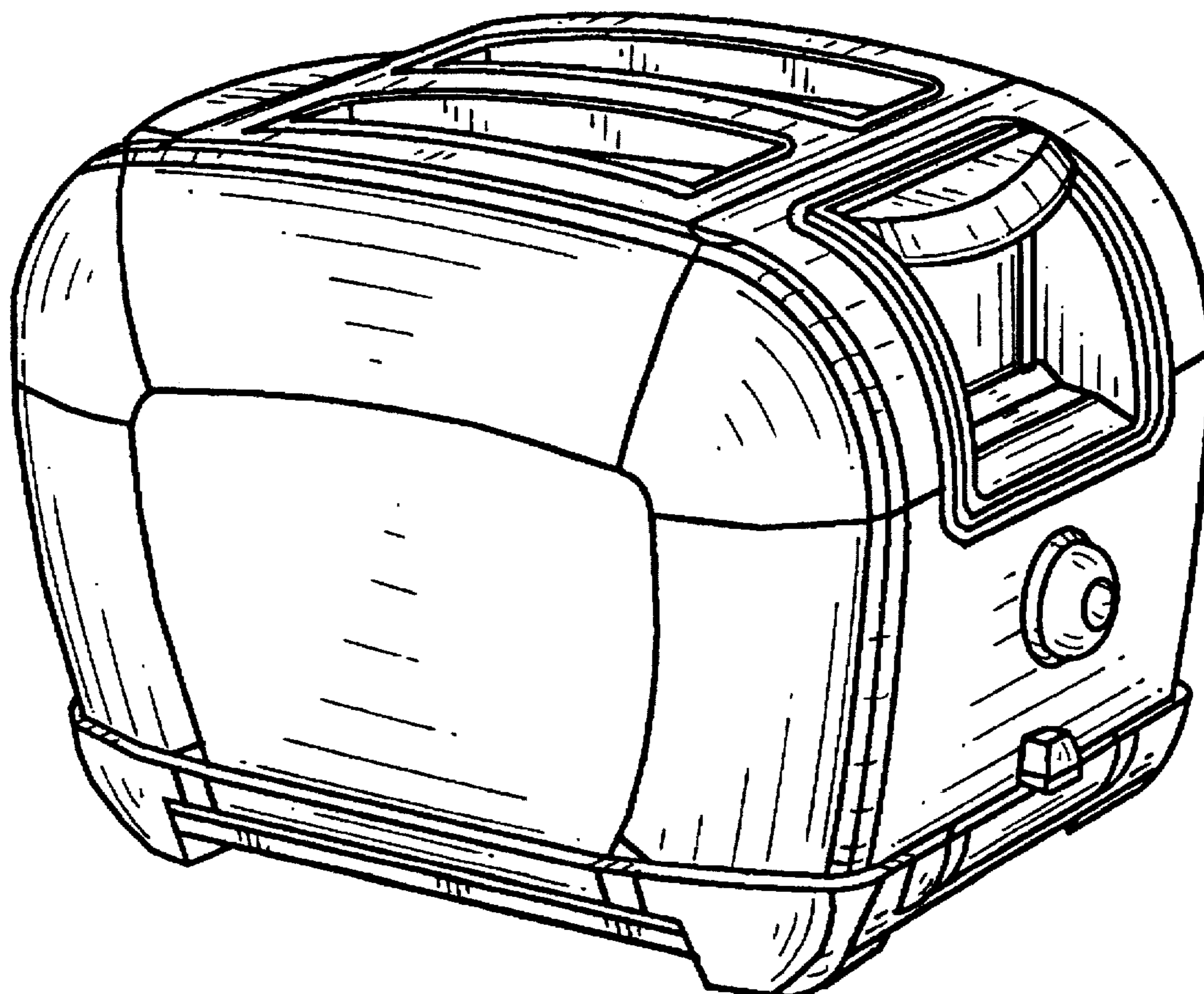
[56] **References Cited**
U.S. PATENT DOCUMENTS

DESCRIPTION

D. 99,287 4/1936 Knapp D7/328
D. 124,059 12/1940 Christenson, Jr., et al. D7/330
D. 156,153 11/1949 Olson et al. D7/330
D. 296,290 6/1988 Yamanaka D7/330

FIG. 1 is a perspective view of a classic toaster showing our new design;
FIG. 2 is a right side elevational view thereof;
FIG. 3 is a left side elevational view thereof;
FIG. 4 is a top view thereof;
FIG. 5 is a bottom view thereof;
FIG. 6 is a front view thereof; and,
FIG. 7 is a back view of the classic toaster.

1 Claim, 4 Drawing Sheets



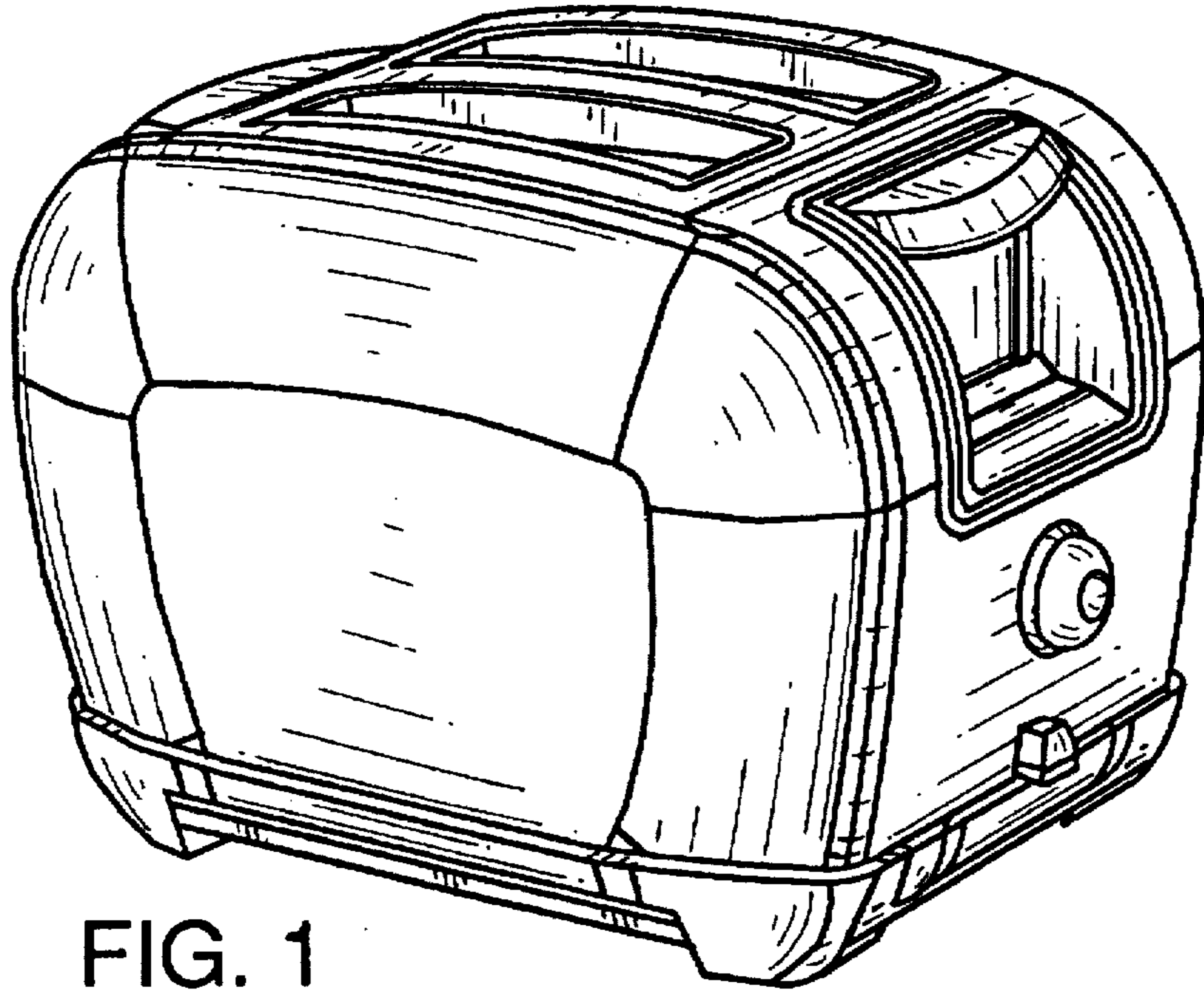


FIG. 1

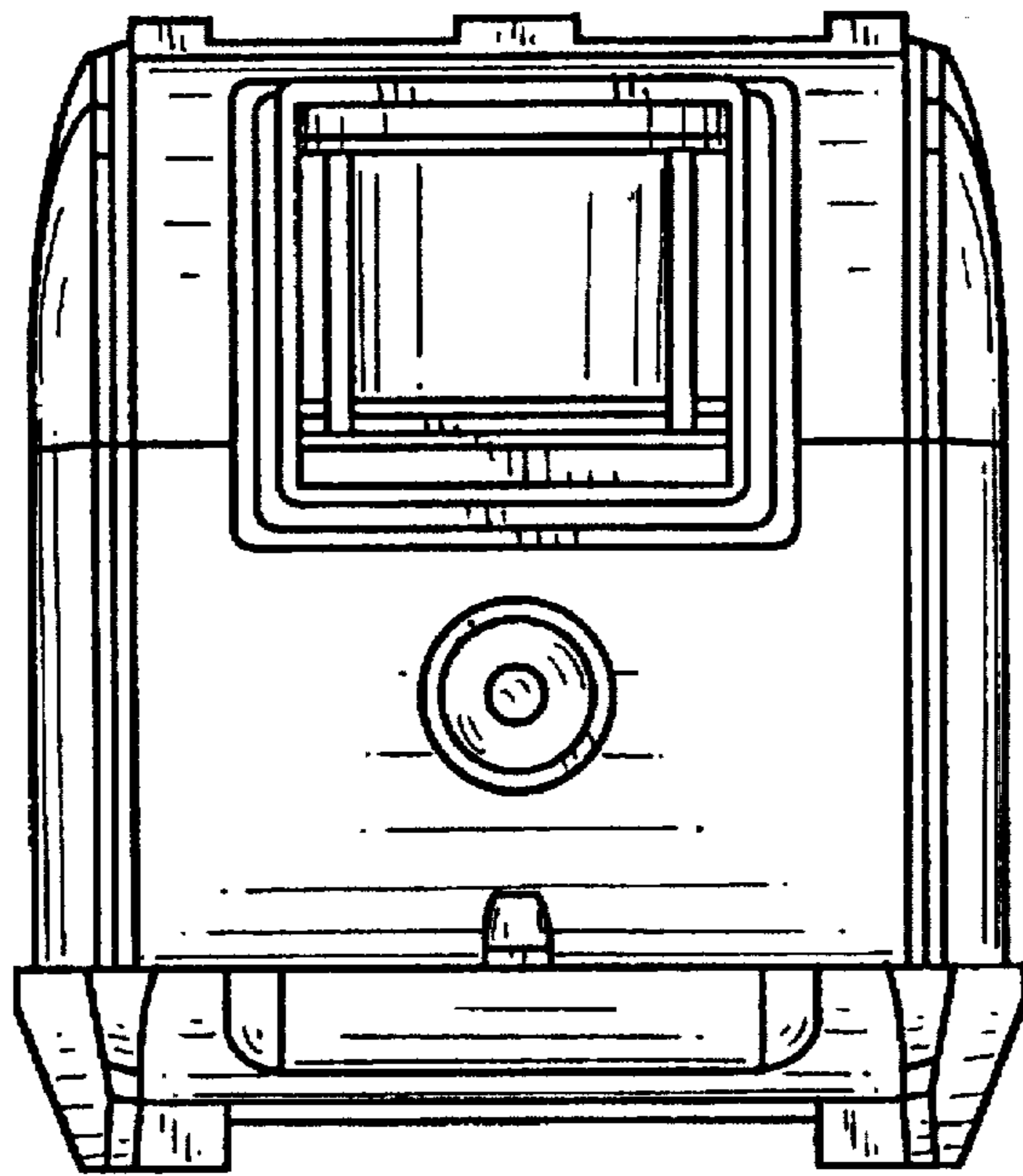


FIG. 2

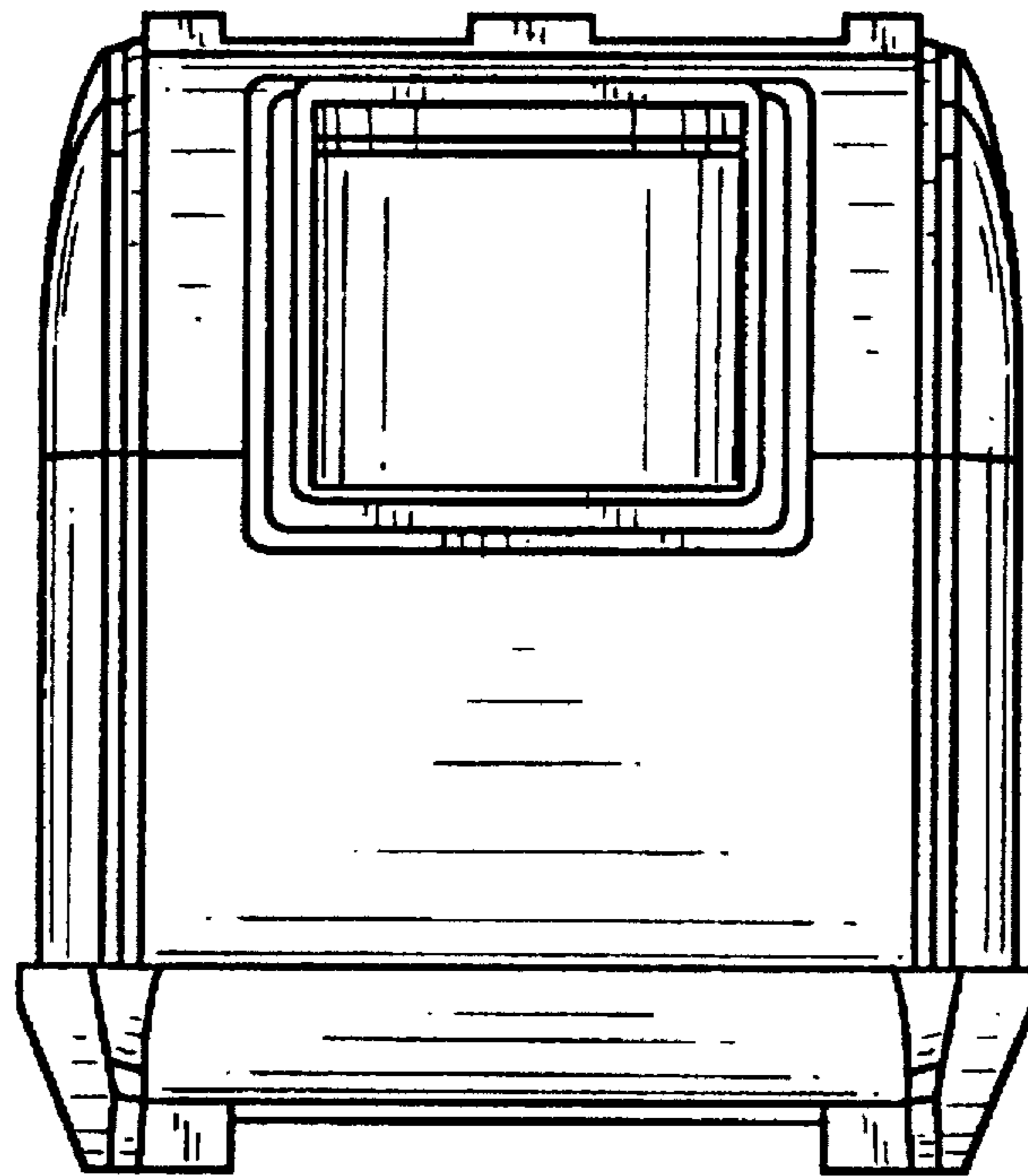


FIG. 3

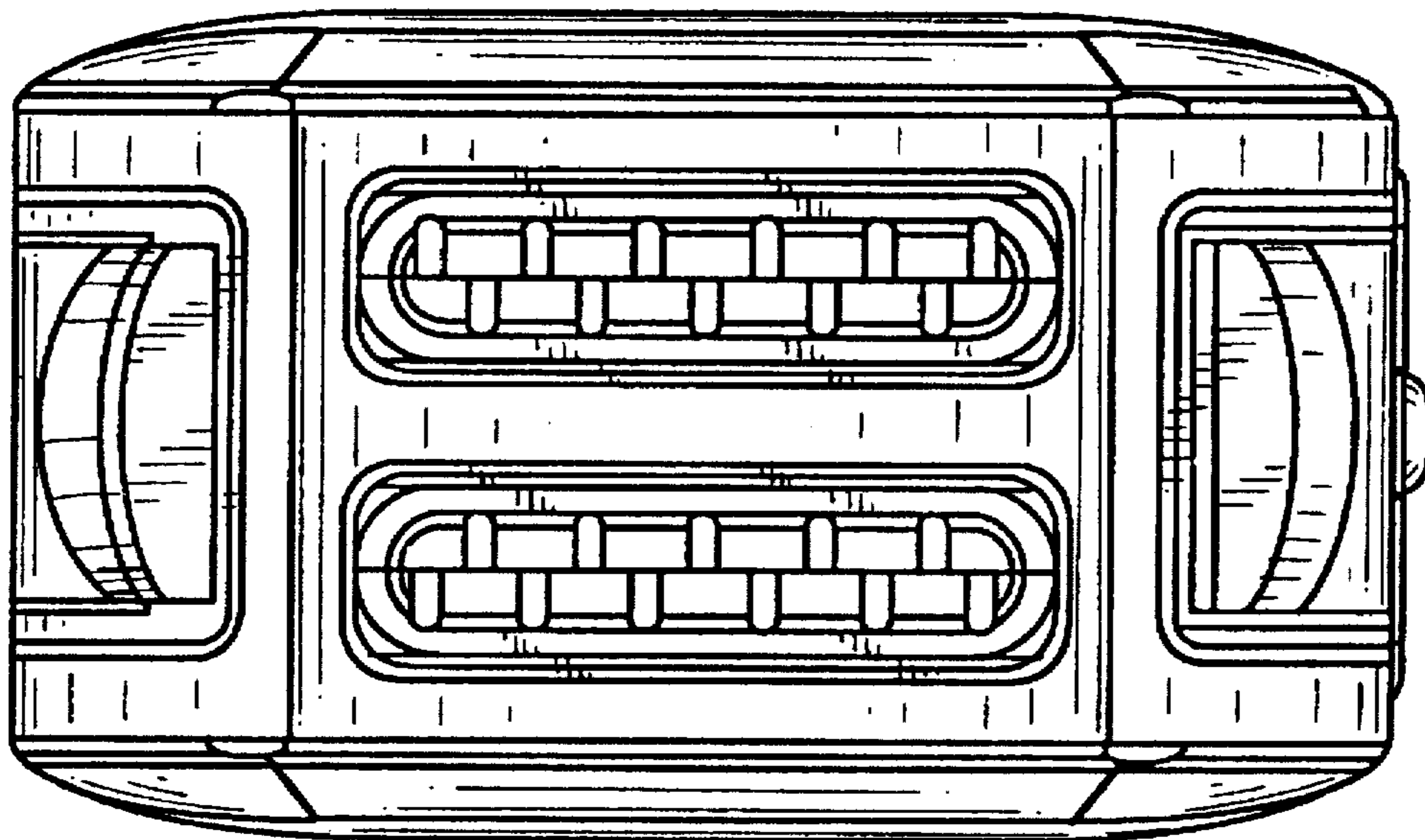


FIG. 4

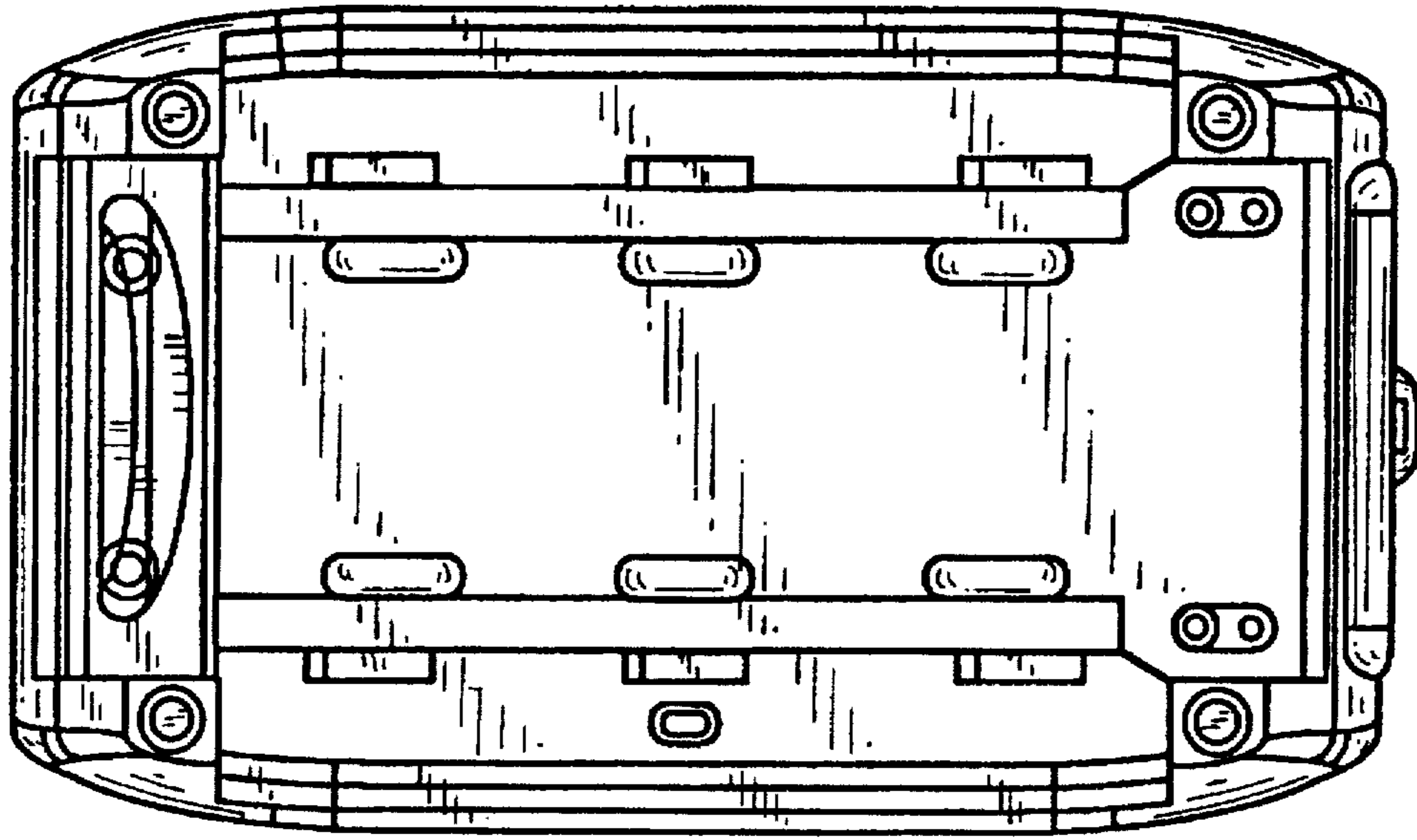


FIG. 5

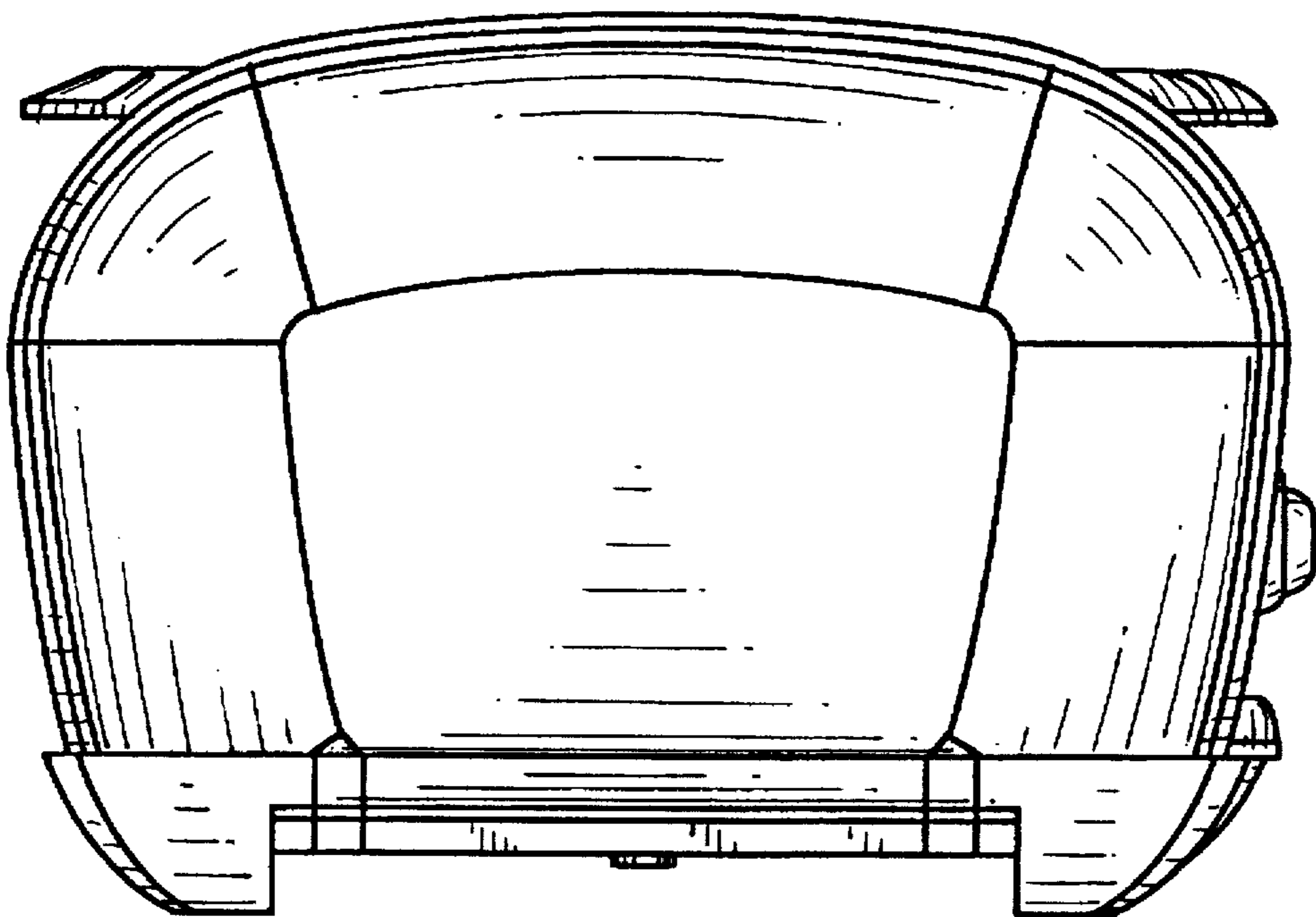


FIG. 6

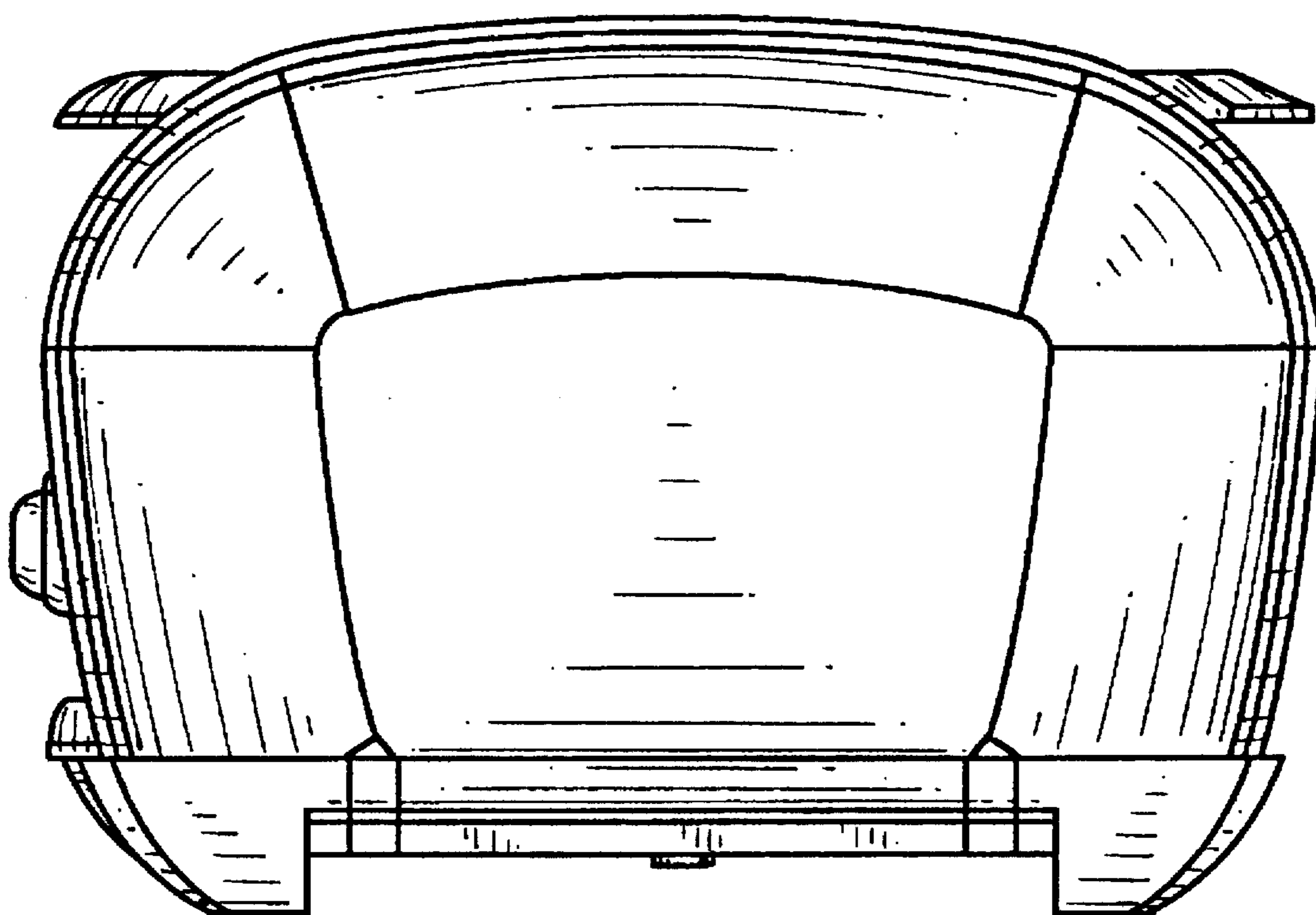


FIG. 7