



US00D386350S

United States Patent [19]
Mogadam

[11] **Patent Number: Des. 386,350**
[45] **Date of Patent: **Nov. 18, 1997**

[54] **AUTOMATED BEVERAGE DISPENSER**

[76] **Inventor: Mike Mogadam, 646 Lambeth Ct., Sunnyvale, Calif. 94087**

[**] **Term: 14 Years**

[21] **Appl. No.: 55,055**

[22] **Filed: May 30, 1996**

[51] **LOC (6) Cl. 07-01**

[52] **U.S. Cl. D7/312; D7/300; D7/372; D7/300.1**

[58] **Field of Search D7/312, 300, 300.1, D7/305, 313, 322, 397, 398, 392, 510, 511; 222/52, 567, 25; D9/435**

[56] **References Cited**

U.S. PATENT DOCUMENTS

D. 164,006	7/1951	Laird et al.	D7/392
D. 316,208	4/1991	Griffiths et al.	D7/398
D. 328,200	7/1992	Ipsen	D7/398
D. 333,787	3/1993	Hirst et al.	D9/435 X
D. 337,693	7/1993	Segati	D7/392
D. 368,624	4/1996	Forrer	D7/510 X
3,170,597	2/1965	Reichenberger	222/36
3,181,729	5/1965	Milonas et al.	222/36
3,321,113	5/1967	Conry	222/477
3,647,115	3/1972	McCann et al.	222/39
3,920,149	11/1975	Fortino et al.	222/1

4,265,370	5/1981	Reilly	222/25
4,278,186	7/1981	Williamson	222/36
4,436,223	3/1984	Wilson	222/36
4,736,671	4/1988	Luciani et al.	222/25
5,255,819	10/1993	Peckels	222/1

Primary Examiner—M. N. Pandozzi
Attorney, Agent, or Firm—Carr, DeFilippo & Ferrell, LLP

[57] **CLAIM**

The ornamental design for an automated beverage dispenser, as described and shown.

DESCRIPTION

FIG. 1 is a perspective view of the automated beverage dispenser showing my new design and according to the present invention;

FIG. 2 is a front elevational view of the automated beverage dispenser as shown in FIG. 1;

FIG. 3 is a elevational view of the right side of the automated beverage dispenser shown in FIG. 1;

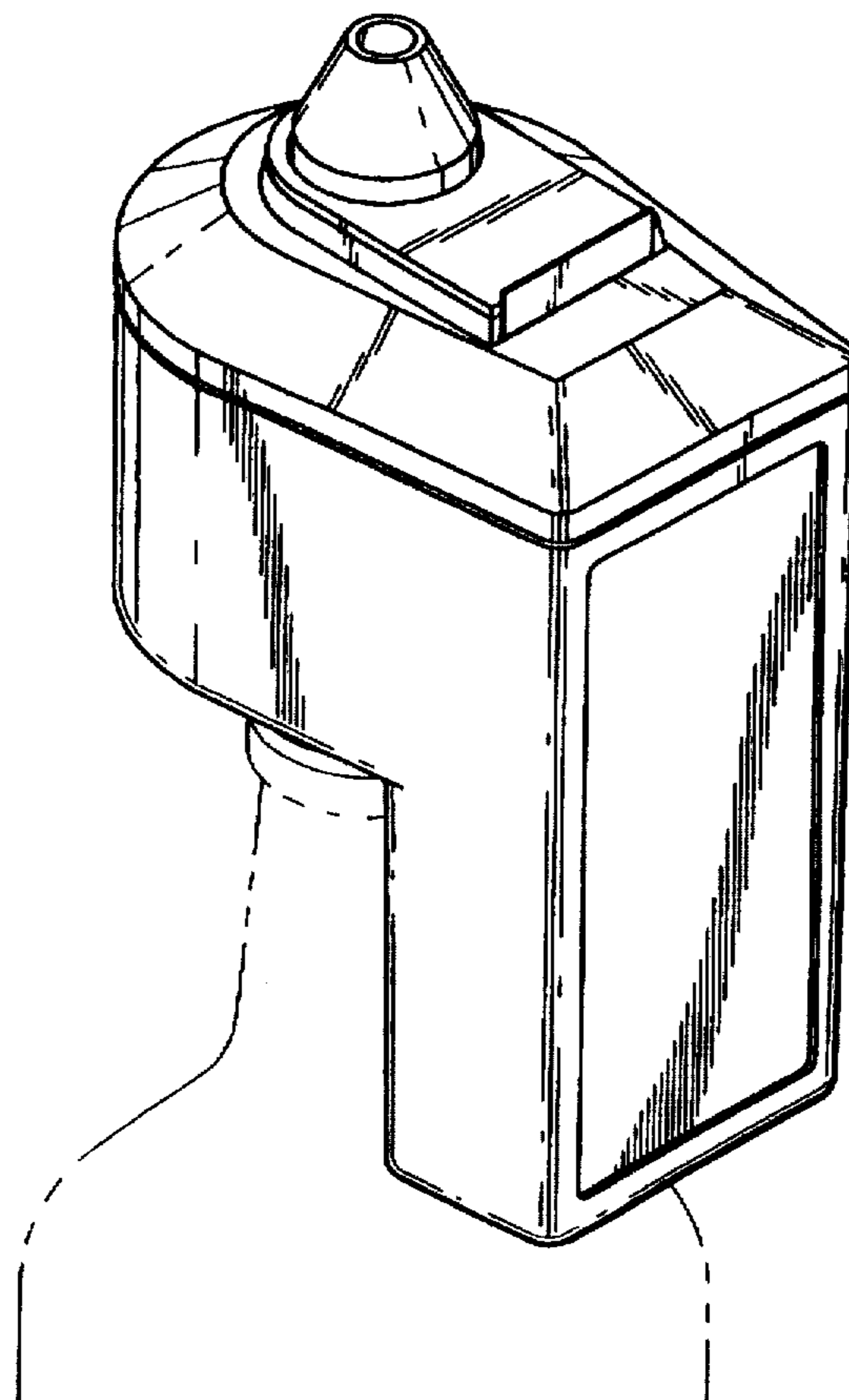
FIG. 4 is a elevational view of the left side of the automated beverage dispenser shown in FIG. 1;

FIG. 5 is a rear elevational view of the automated beverage dispenser shown in FIG. 1;

FIG. 6 is a top plan view of the automated beverage dispenser shown in FIG. 1; and,

FIG. 7 is a bottom plan view of the automated beverage dispensing unit shown in FIG. 1.

1 Claim, 3 Drawing Sheets



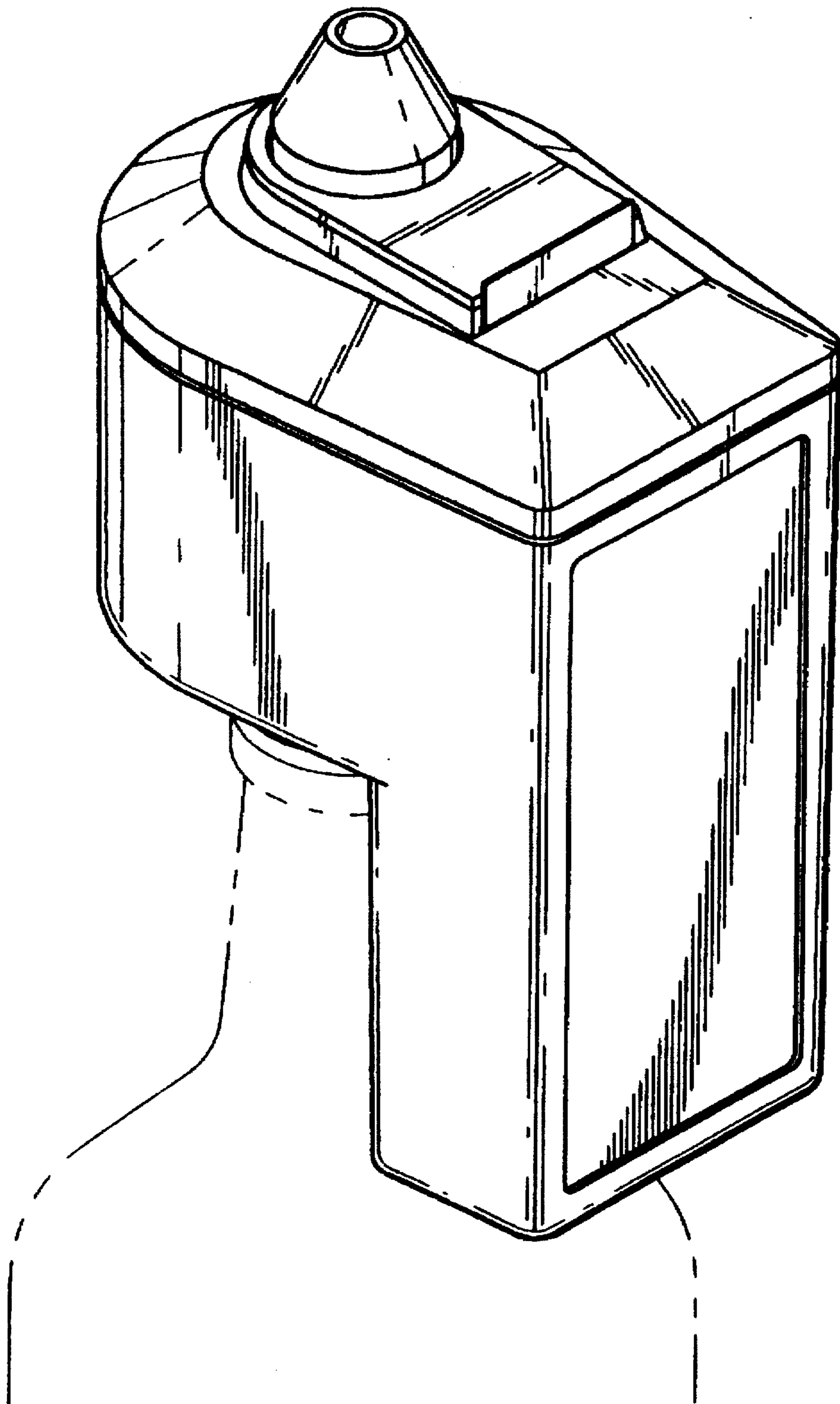


FIG. 1

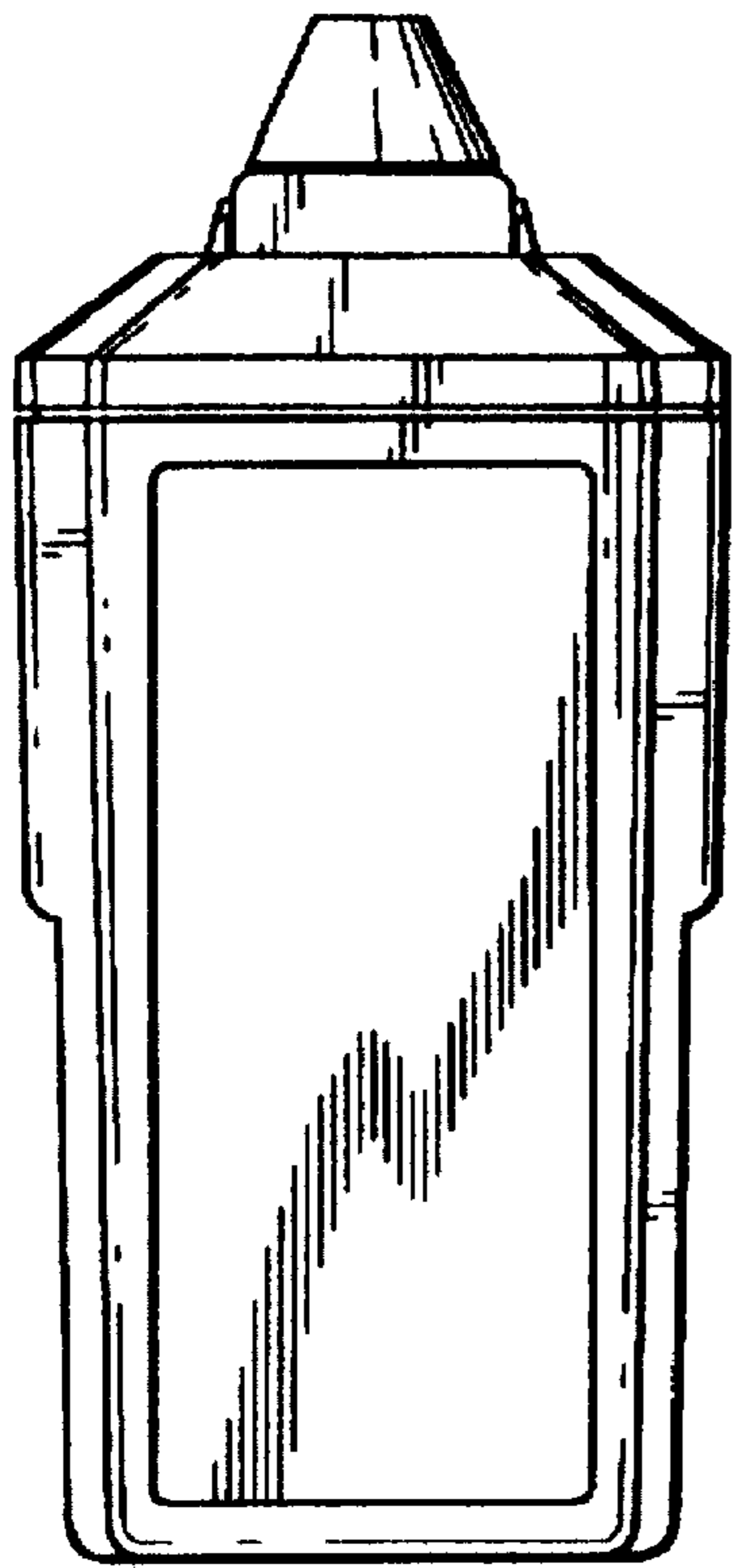


FIG. 2

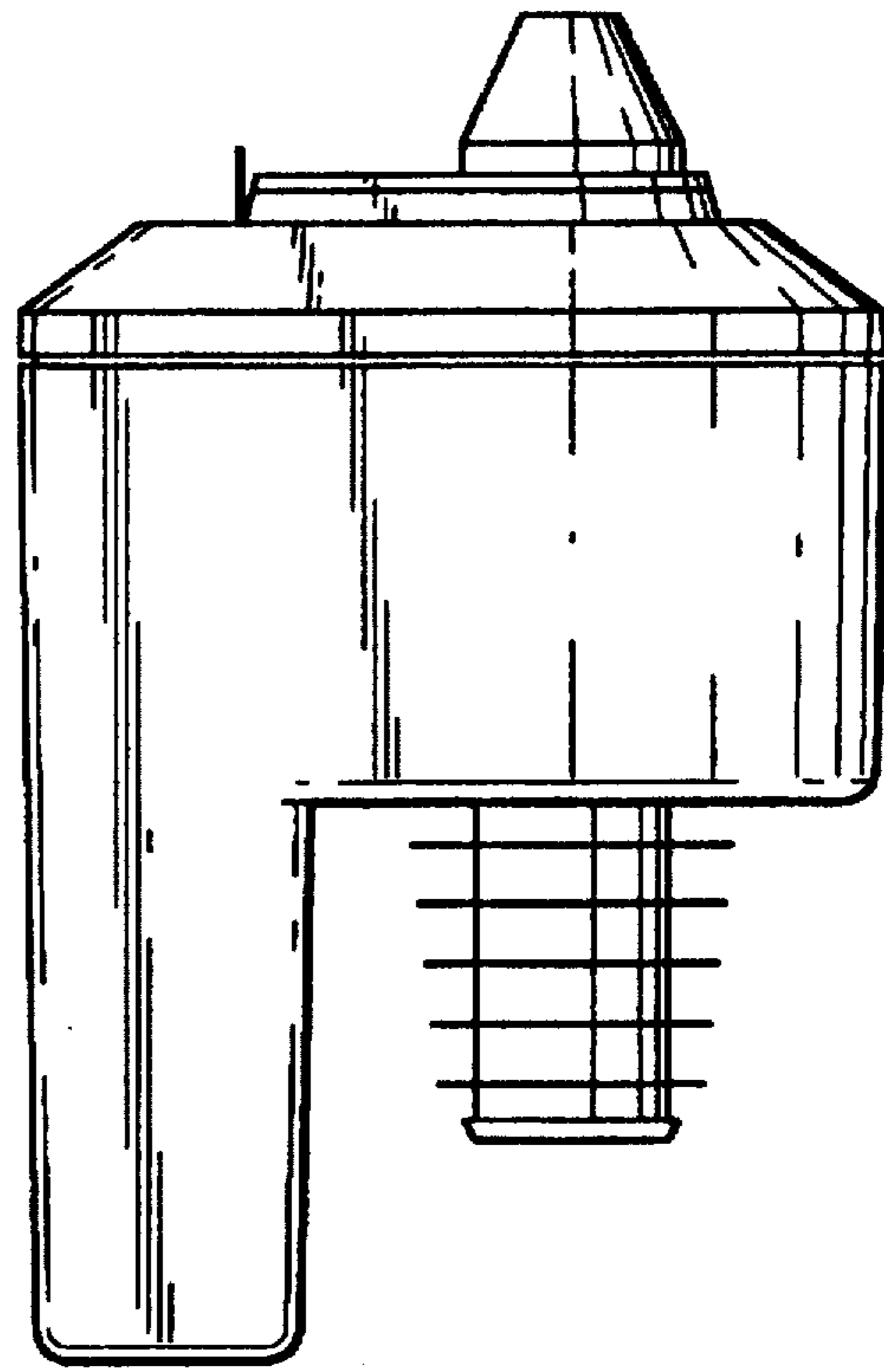


FIG. 3

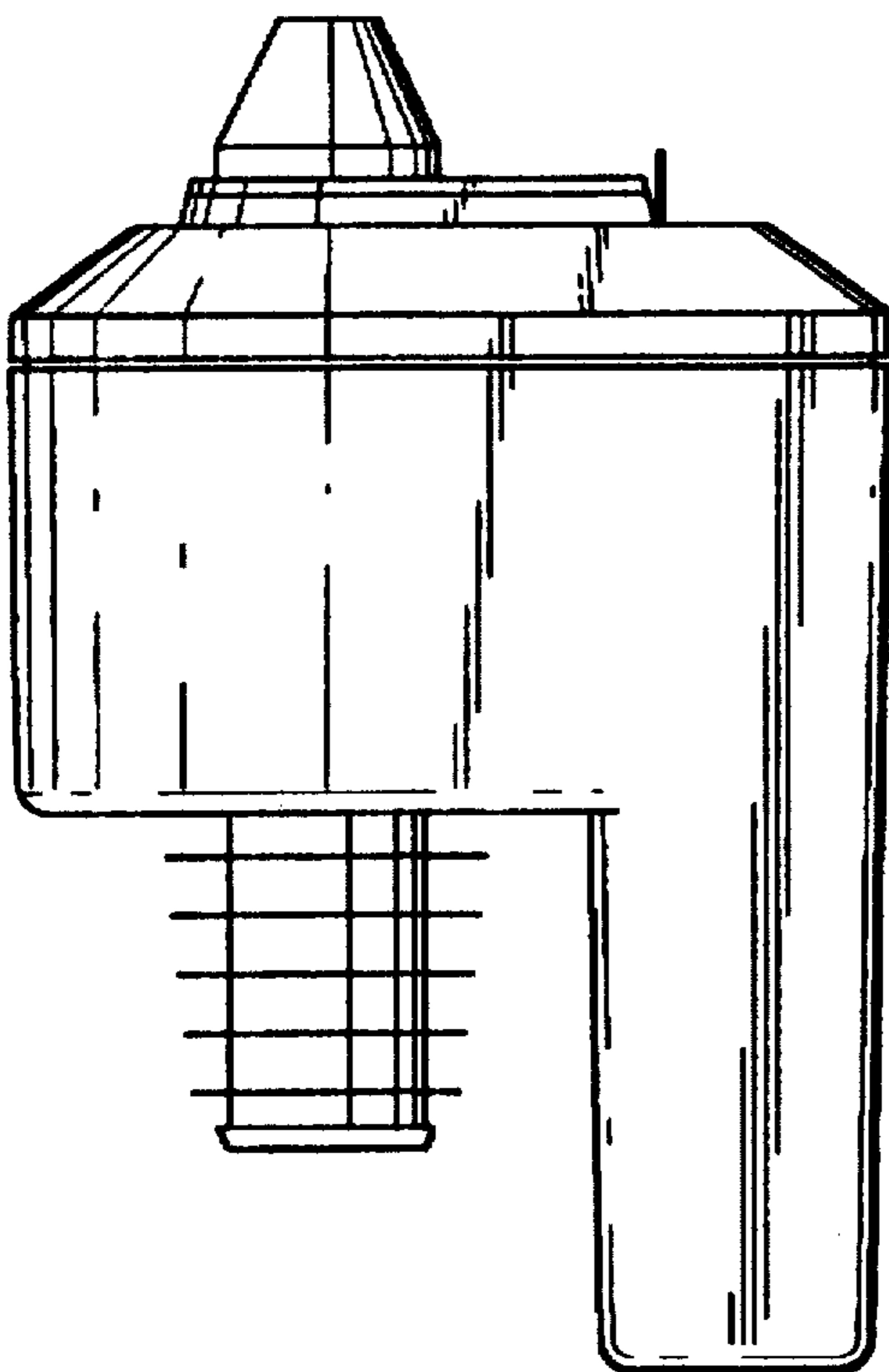


FIG. 4

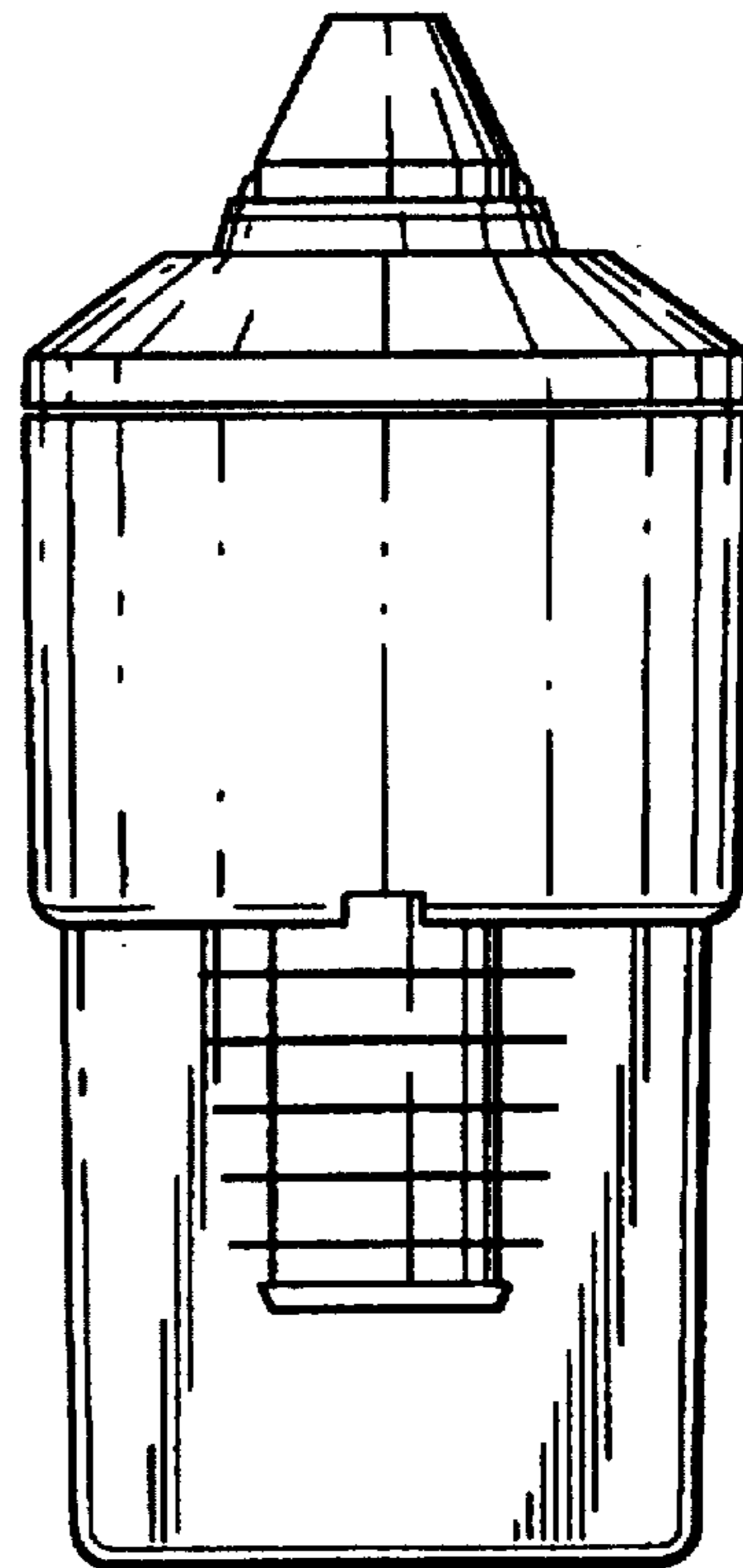


FIG. 5

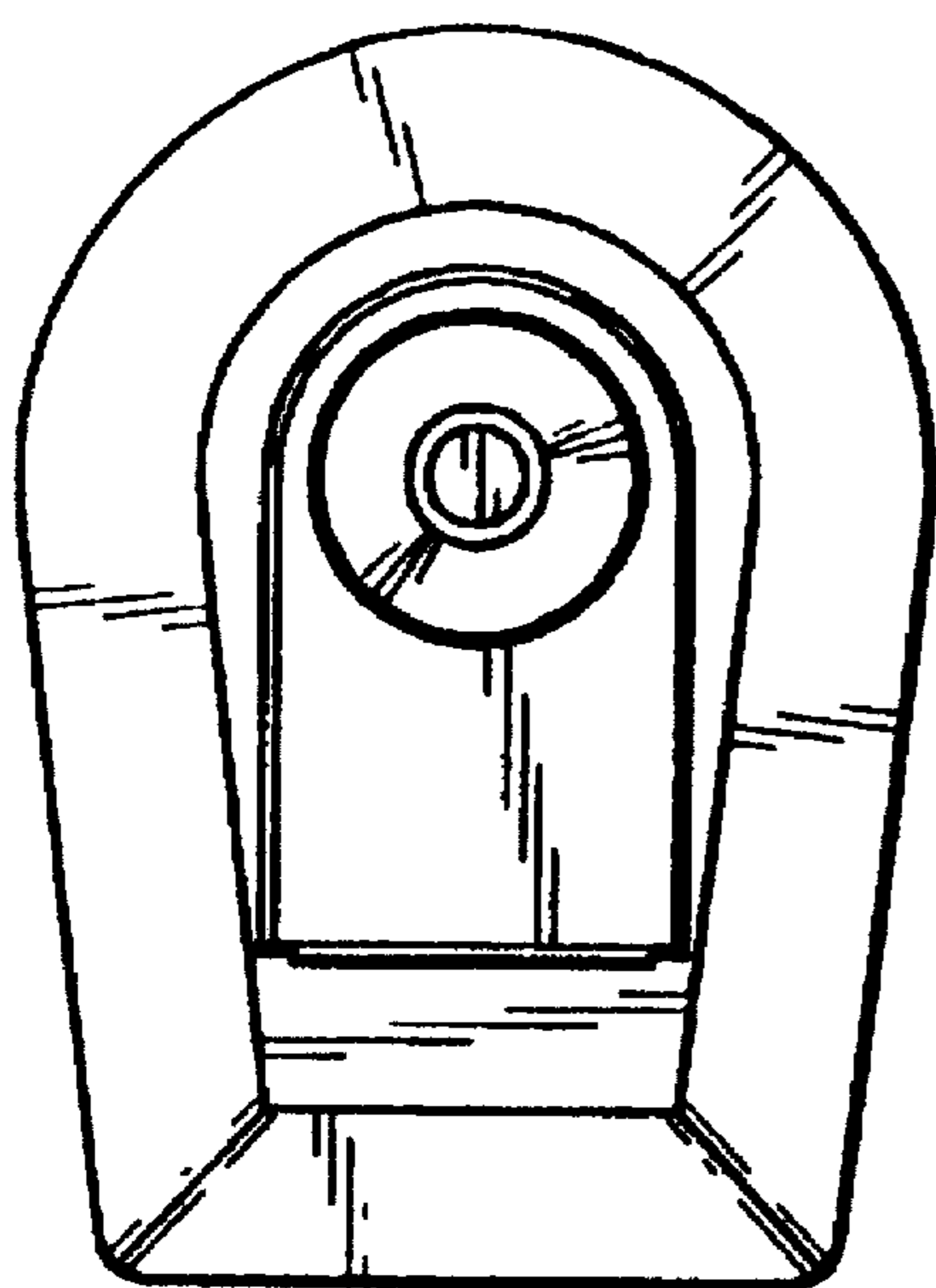


FIG. 6

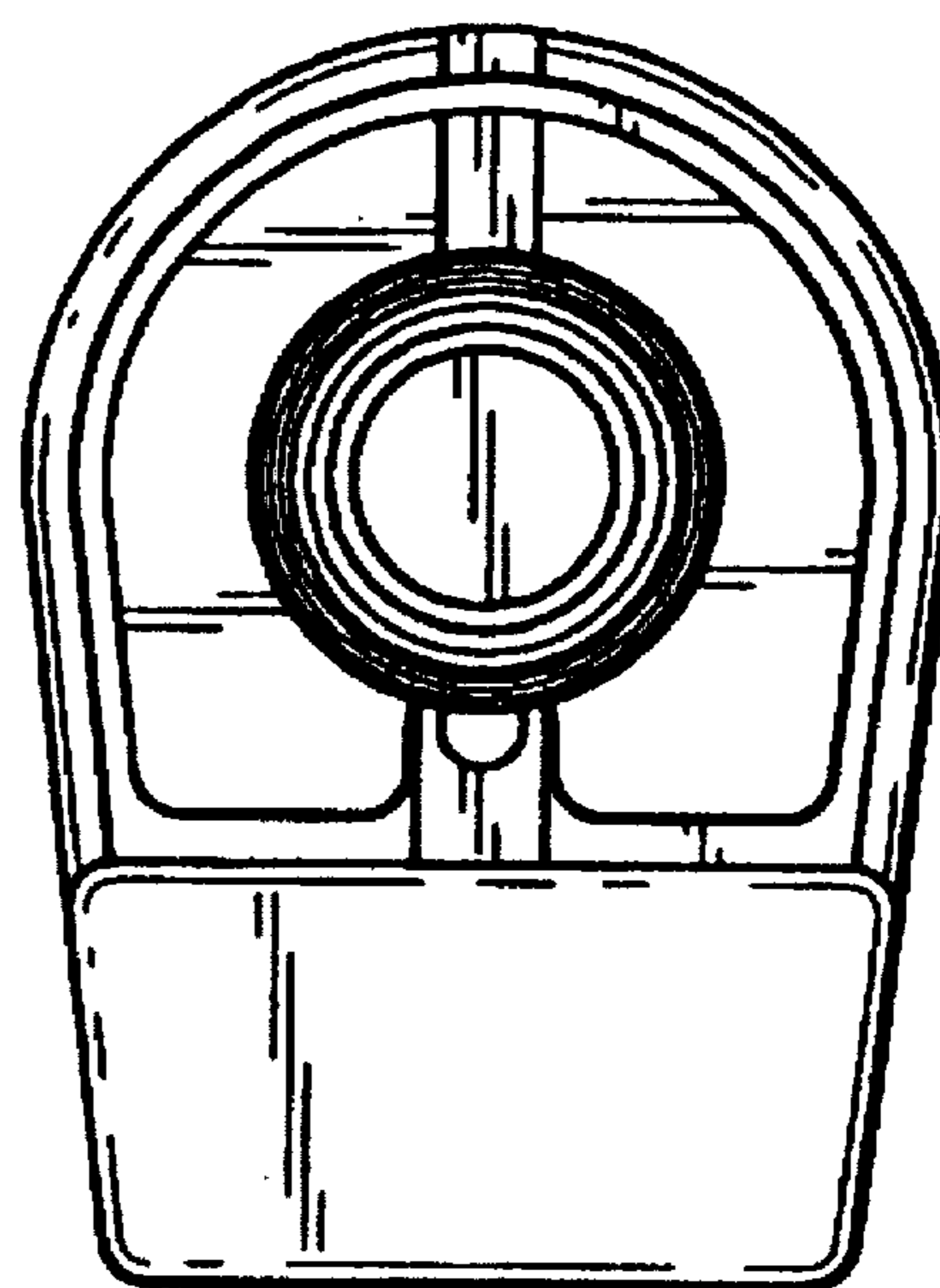


FIG. 7