



US00D386343S

**United States Patent** [19]  
**Moore**

[11] **Patent Number: Des. 386,343**  
[45] **Date of Patent: \*\*Nov. 18, 1997**

[54] **SOAP DISH**  
[75] **Inventor: Glenn David Moore, Newfoundland, N.J.**  
[73] **Assignee: Melard Manufacturing Corp., Passaic, N.J.**  
[\*\*] **Term: 14 Years**  
[21] **Appl. No.: 54,884**  
[22] **Filed: May 24, 1996**  
[51] **LOC (6) Cl. .... 23-02**  
[52] **U.S. Cl. .... D6/532**  
[58] **Field of Search ..... D6/531, 527, 534, D6/535, 540, 532, 536; 211/13, 86-87, 90, 134; 206/77.1; 248/309.1, 311.2**

D. 299,095 12/1988 Gresens et al. .... D6/536 X  
D. 356,708 3/1995 Shames et al. .... D6/534 X

*Primary Examiner*—Susan J. Lucas  
*Assistant Examiner*—Pamela Burgess  
*Attorney, Agent, or Firm*—Edgar A. Zarins; Malcolm L. Sutherland

[57] **CLAIM**

The ornamental design for a soap dish, as shown and described.

**DESCRIPTION**

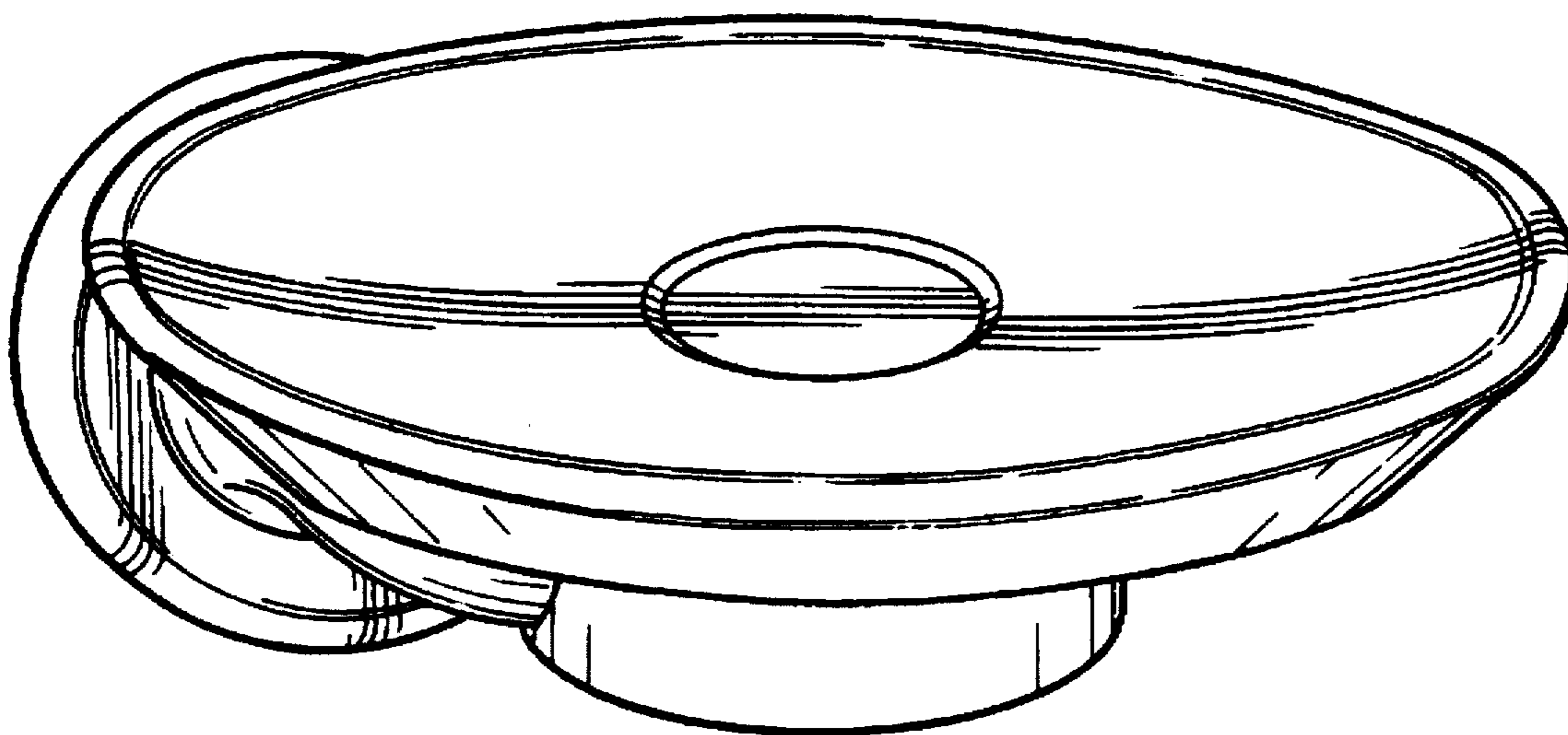
FIG. 1 is a perspective view of a soap dish showing my new design;  
FIG. 2 is a top plan view thereof;  
FIG. 3 is a front elevation view thereof;  
FIG. 4 is a left side elevational view thereof;  
FIG. 5 is a right side elevational view thereof;  
FIG. 6 is a bottom plan view thereof; and,  
FIG. 7 is a rear view thereof.

[56] **References Cited**

**U.S. PATENT DOCUMENTS**

D. 75,382 5/1928 Newton ..... D6/532

**1 Claim, 2 Drawing Sheets**



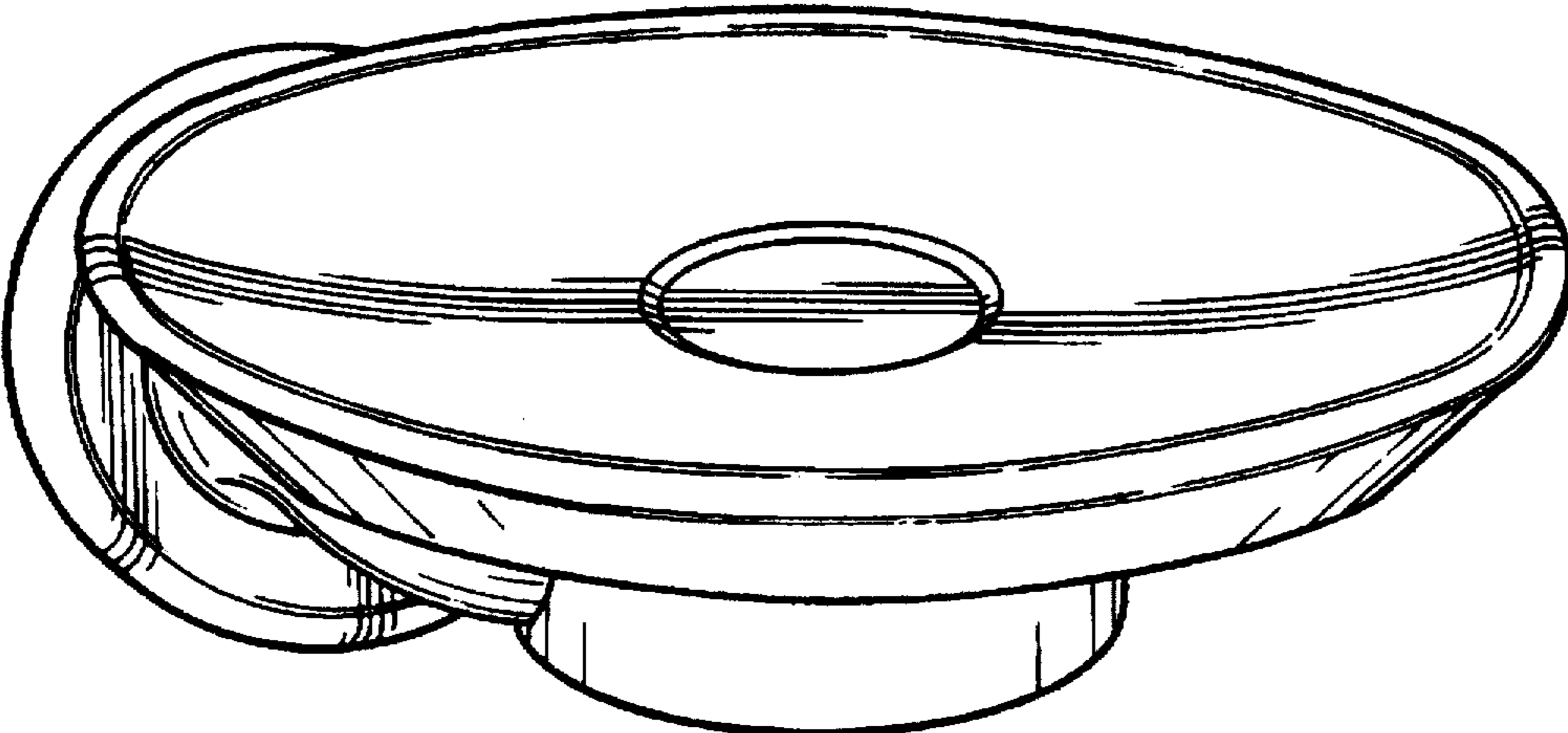


Fig - 1

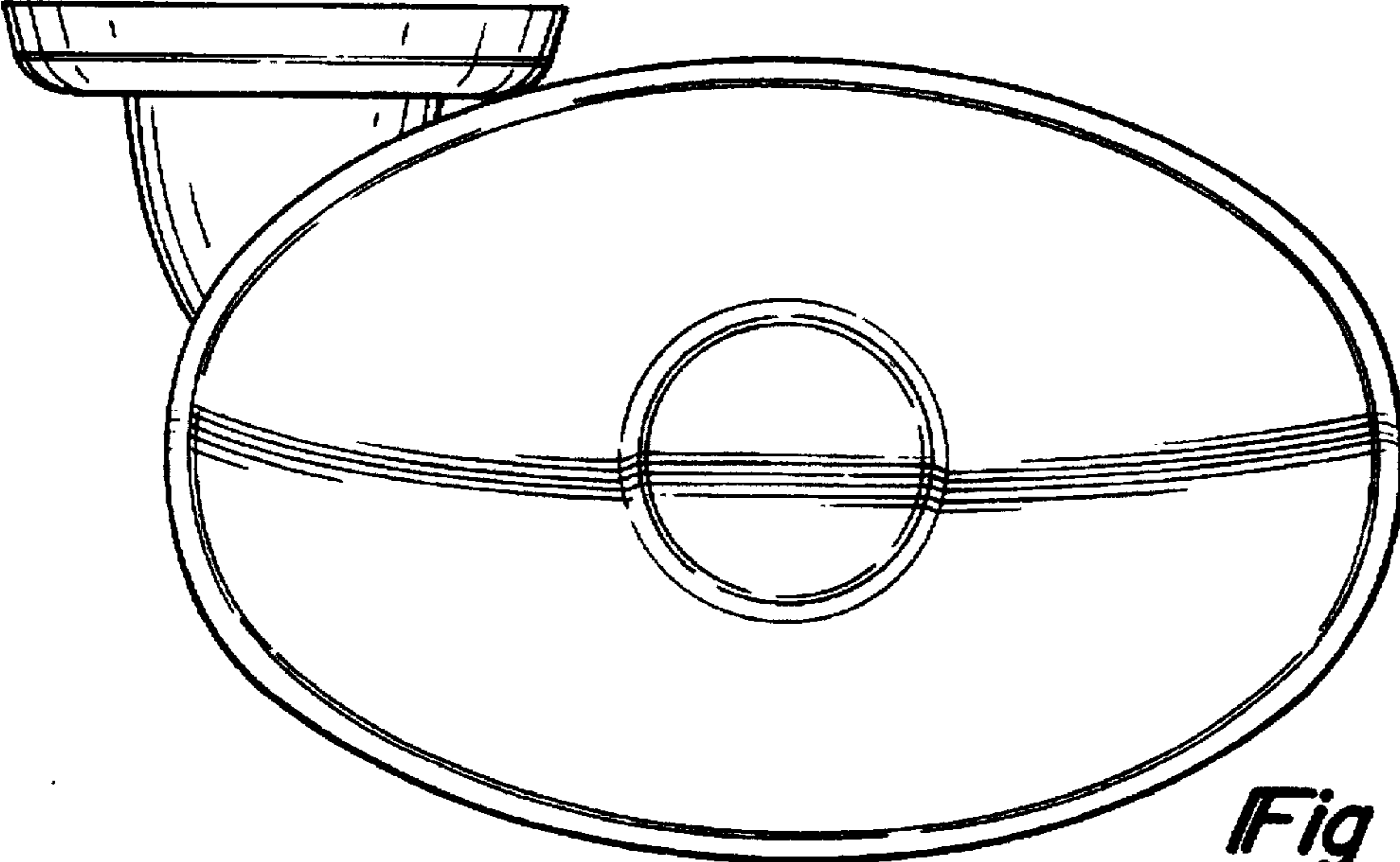


Fig - 2

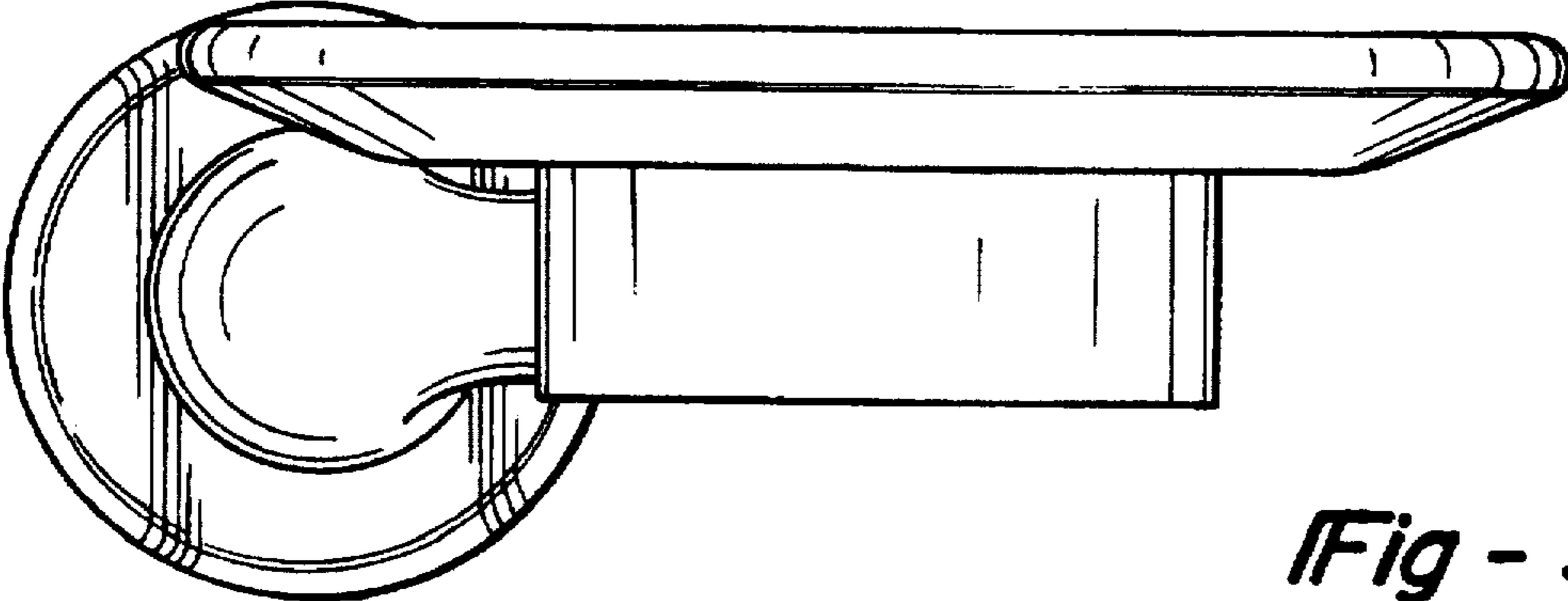


Fig - 3

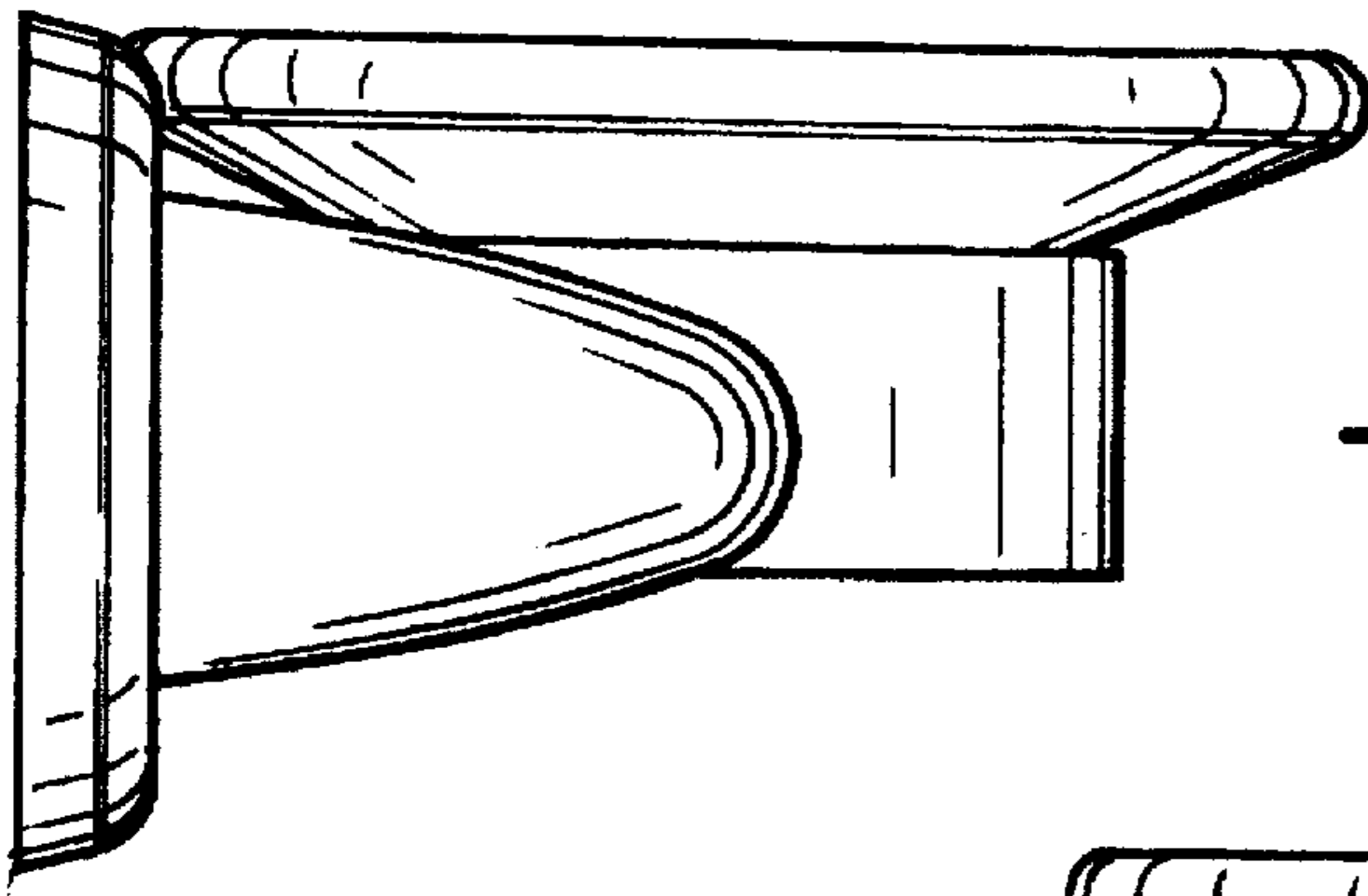


Fig - 4

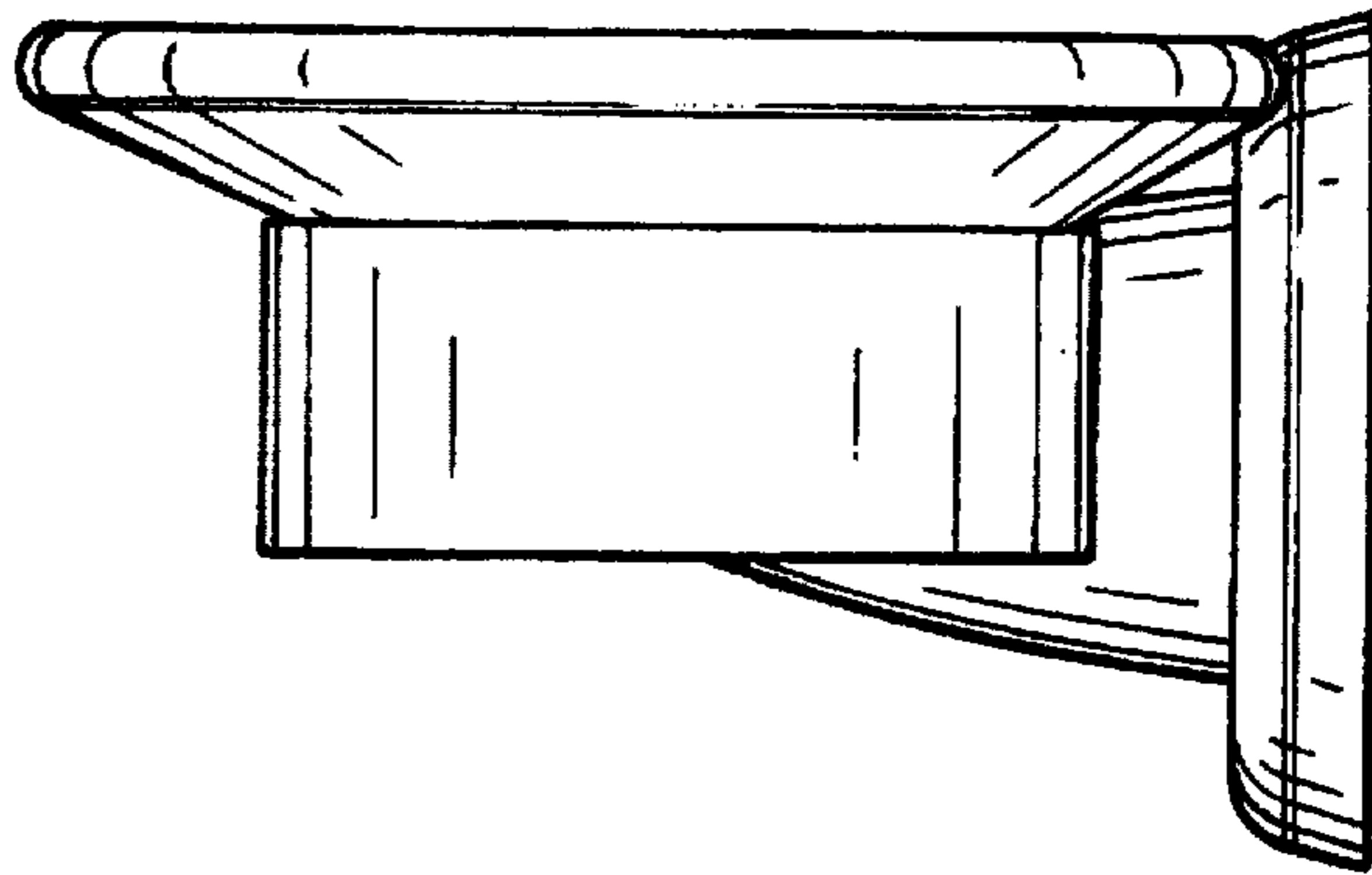


Fig - 5

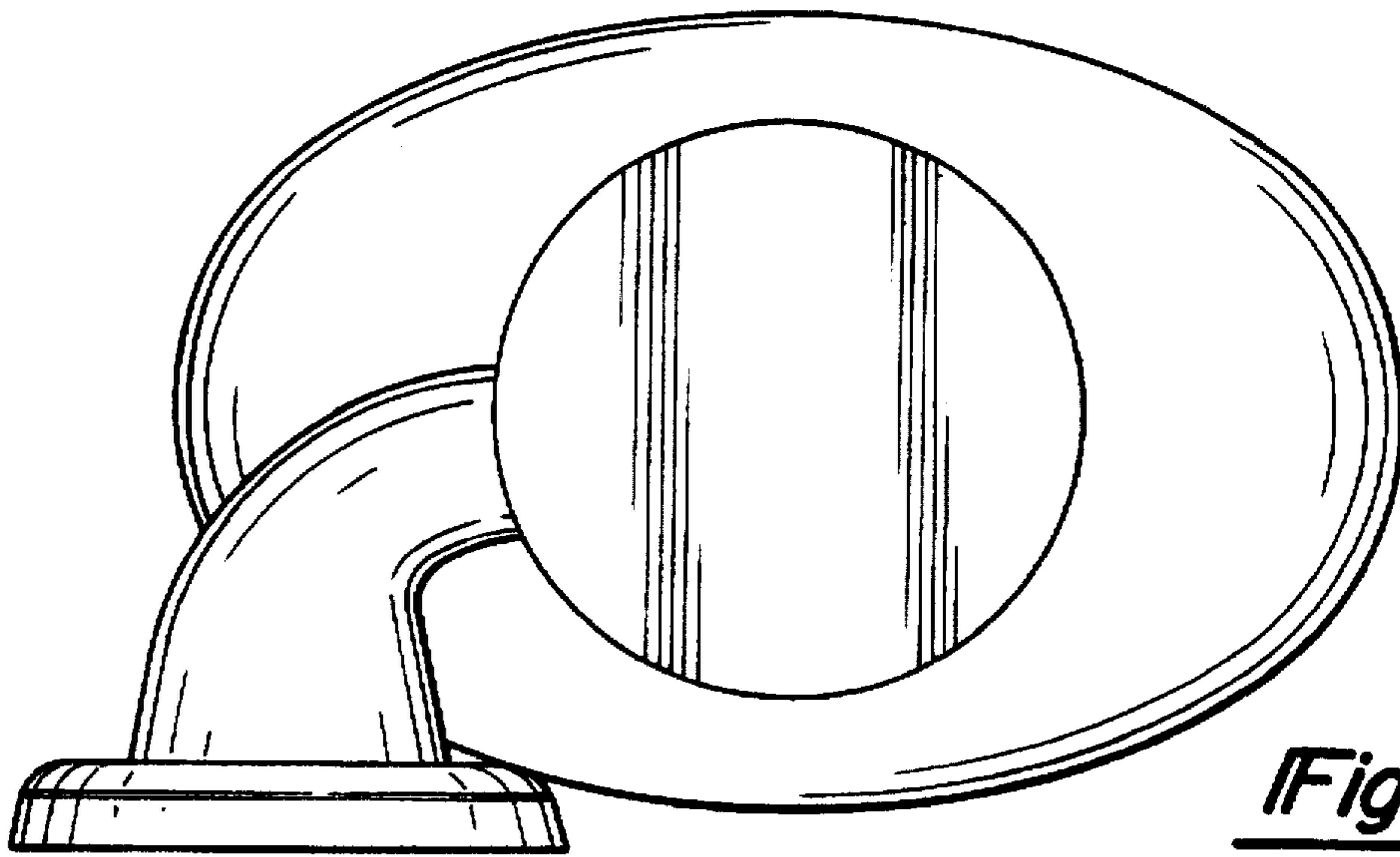


Fig - 6

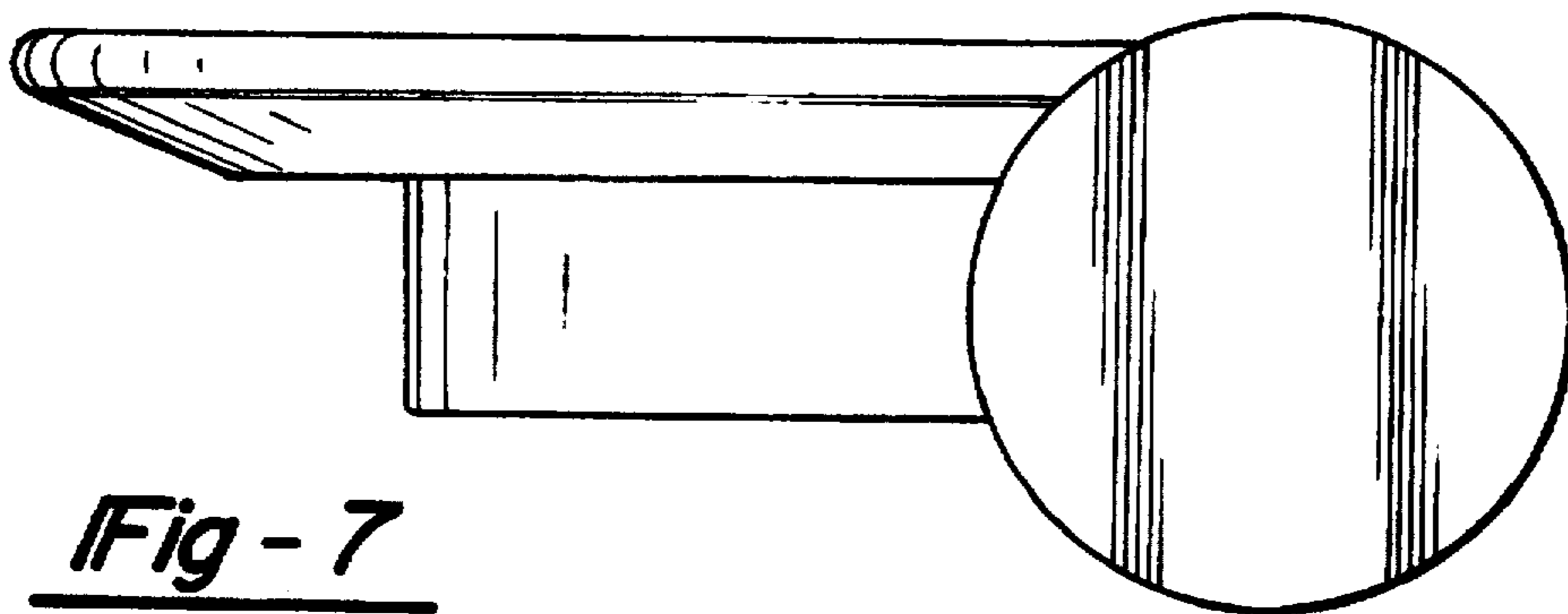


Fig - 7