



US00D386342S

**United States Patent** [19]  
**Moore**

[11] **Patent Number:** **Des. 386,342**  
[45] **Date of Patent:** **\*\*Nov. 18, 1997**

[54] **TOOTHBRUSH-TUMBLER HOLDER**  
[75] **Inventor:** **Glenn David Moore**, Newfoundland,  
N.J.  
[73] **Assignee:** **Melard Manufacturing Corp.**, Passaic,  
N.J.  
[\*\*] **Term:** **14 Years**  
[21] **Appl. No.:** **54,925**  
[22] **Filed:** **May 24, 1996**  
[51] **LOC (6) Cl.** ..... **23-02**  
[52] **U.S. Cl.** ..... **D6/531**  
[58] **Field of Search** ..... **D6/531, 527, 534,**  
**D6/535, 540, 532, 536; 211/13, 86-87,**  
**90, 134; 206/77.1; 248/309.1, 311.2**

D. 306,811 3/1990 DeLeon ..... D6/524 X  
D. 347,346 5/1994 Shames et al. .... D6/534 X  
D. 356,708 3/1995 Shames et al. .... D6/534 X

*Primary Examiner*—Susan J. Lucas  
*Assistant Examiner*—Pamela Burgess  
*Attorney, Agent, or Firm*—Edgar A. Zarins; Malcolm L.  
Sutherland

[57] **CLAIM**

The ornamental design for a toothbrush-tumbler holder, as shown and described.

**DESCRIPTION**

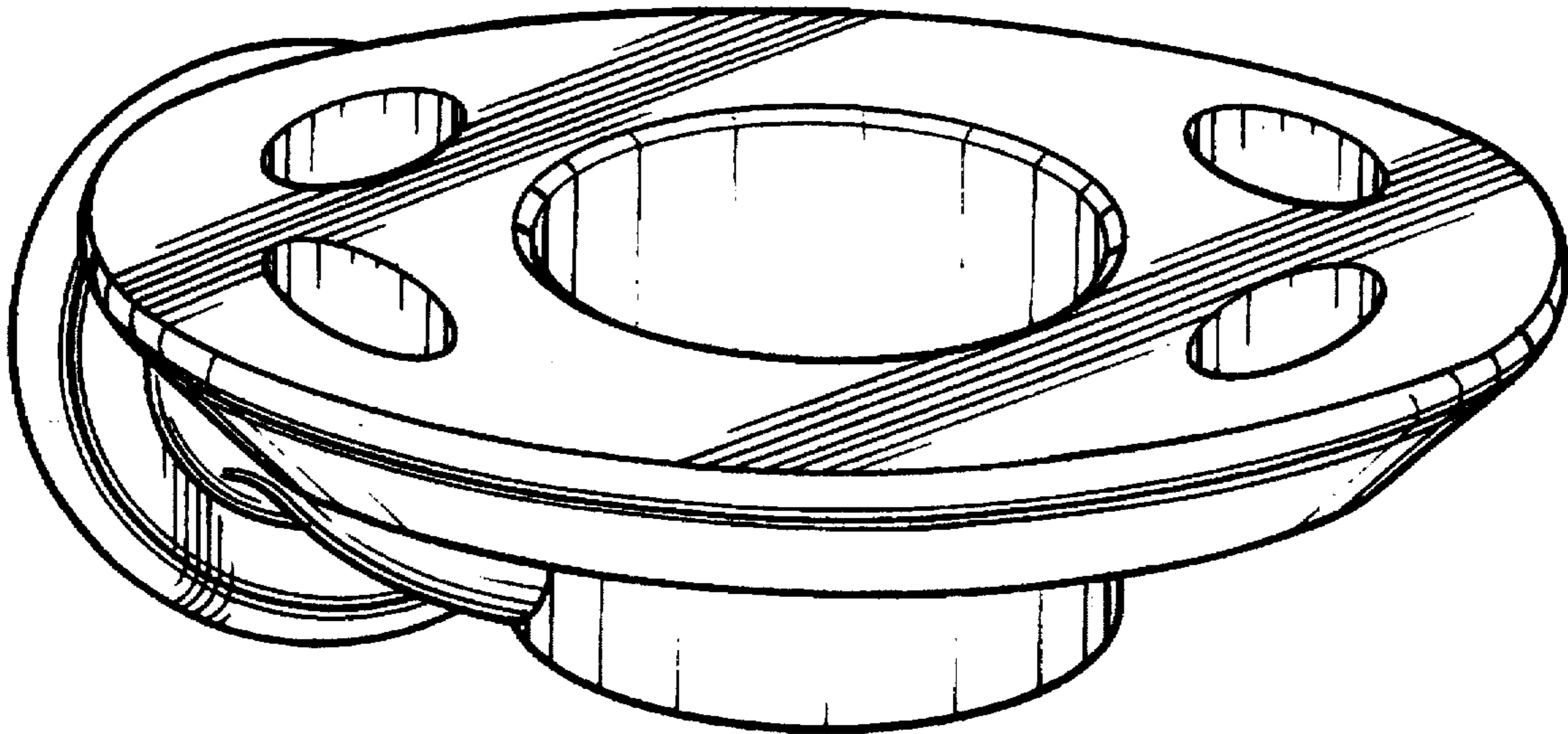
FIG. 1 is a perspective view of a toothbrush-tumbler holder showing my new design;  
FIG. 2 is a top plan view thereof;  
FIG. 3 is a front elevation view thereof;  
FIG. 4 is a left side elevational view thereof;  
FIG. 5 is a right side elevational view thereof;  
FIG. 6 is a bottom plan view thereof; and,  
FIG. 7 is a rear view thereof.

[56] **References Cited**

**U.S. PATENT DOCUMENTS**

D. 75,382 5/1928 Newton ..... D6/532  
D. 294,906 3/1988 Pool ..... D6/534 X  
D. 299,095 12/1988 Gresens et al. .... D6/536 X

**1 Claim, 2 Drawing Sheets**



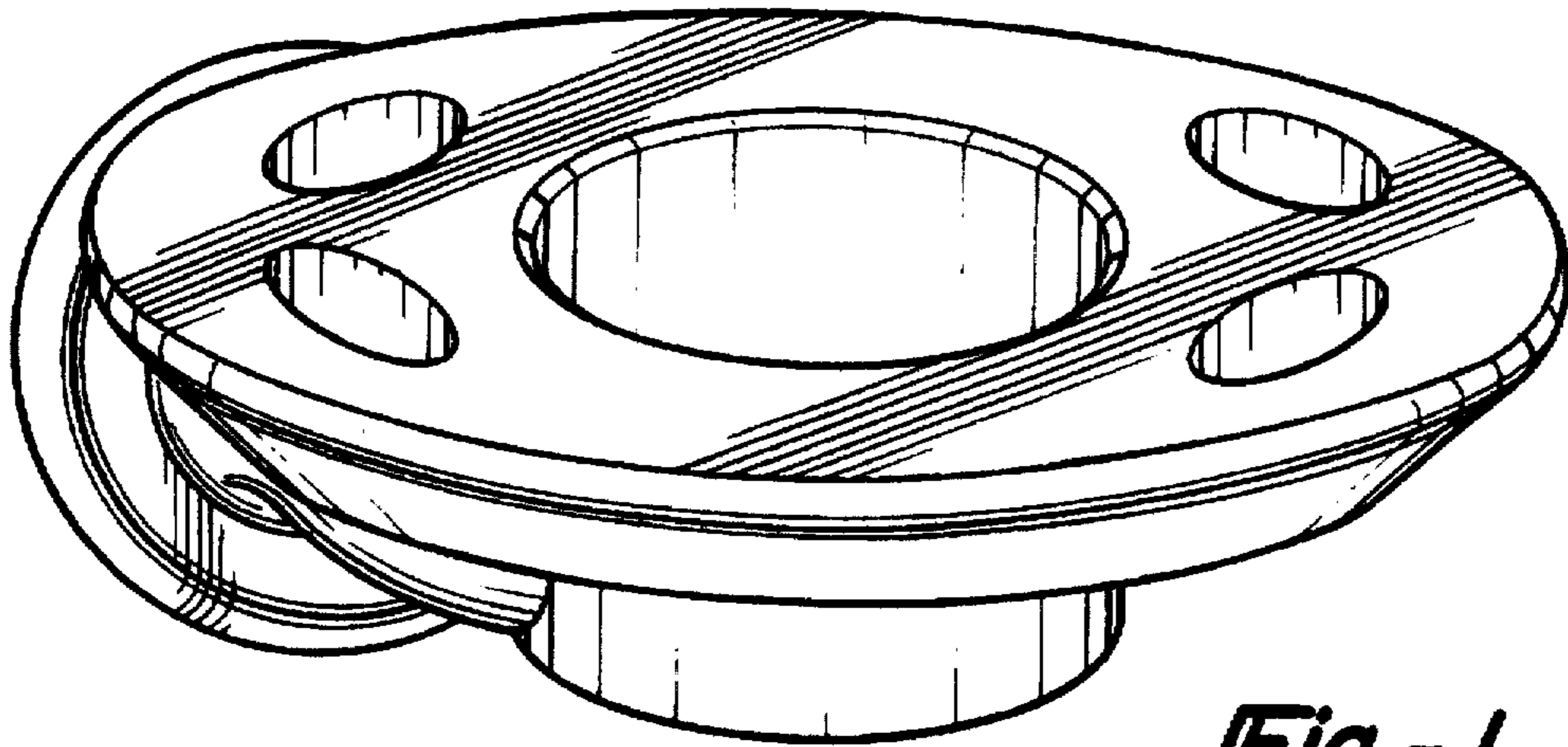


Fig - 1

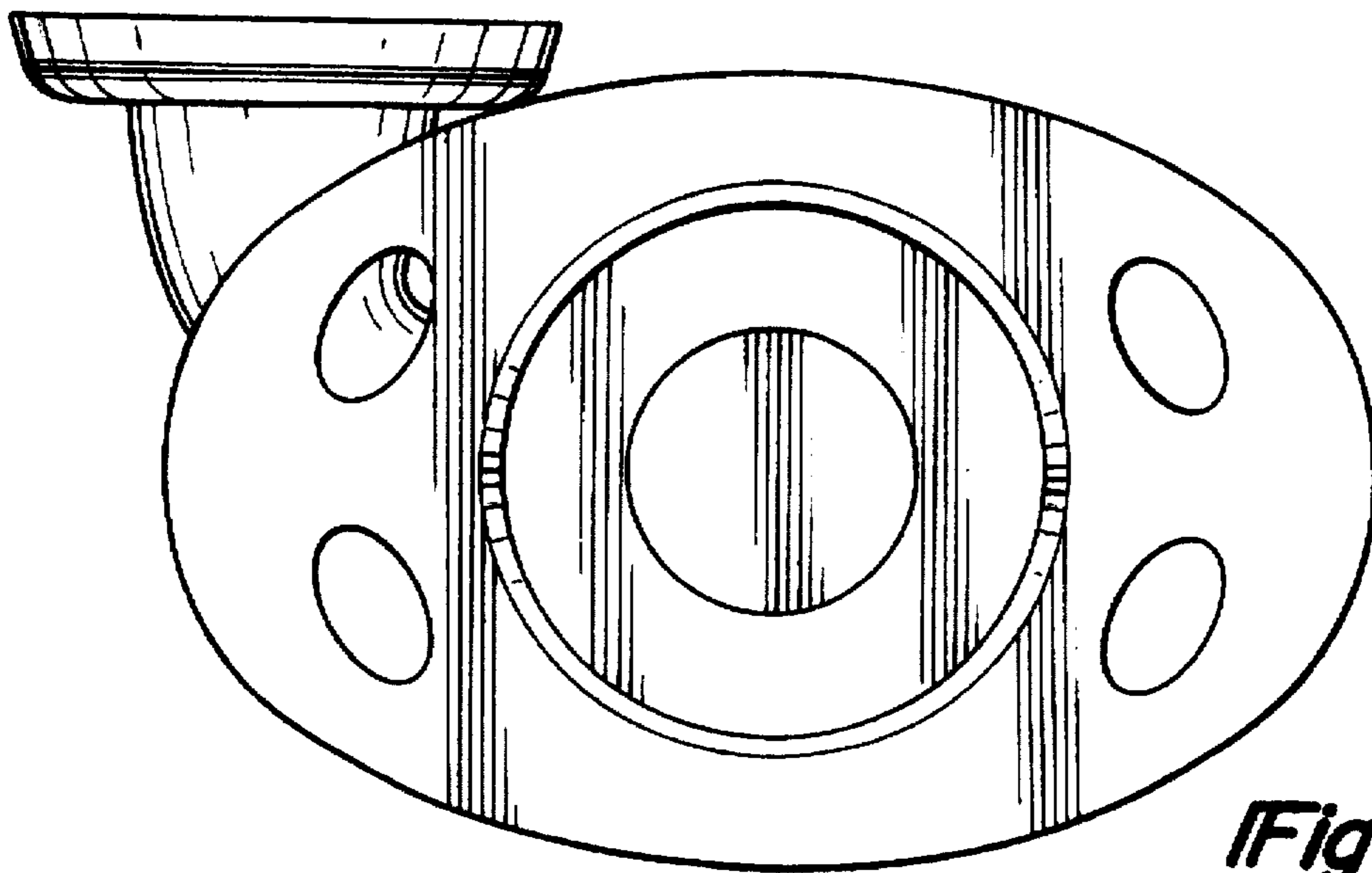


Fig - 2

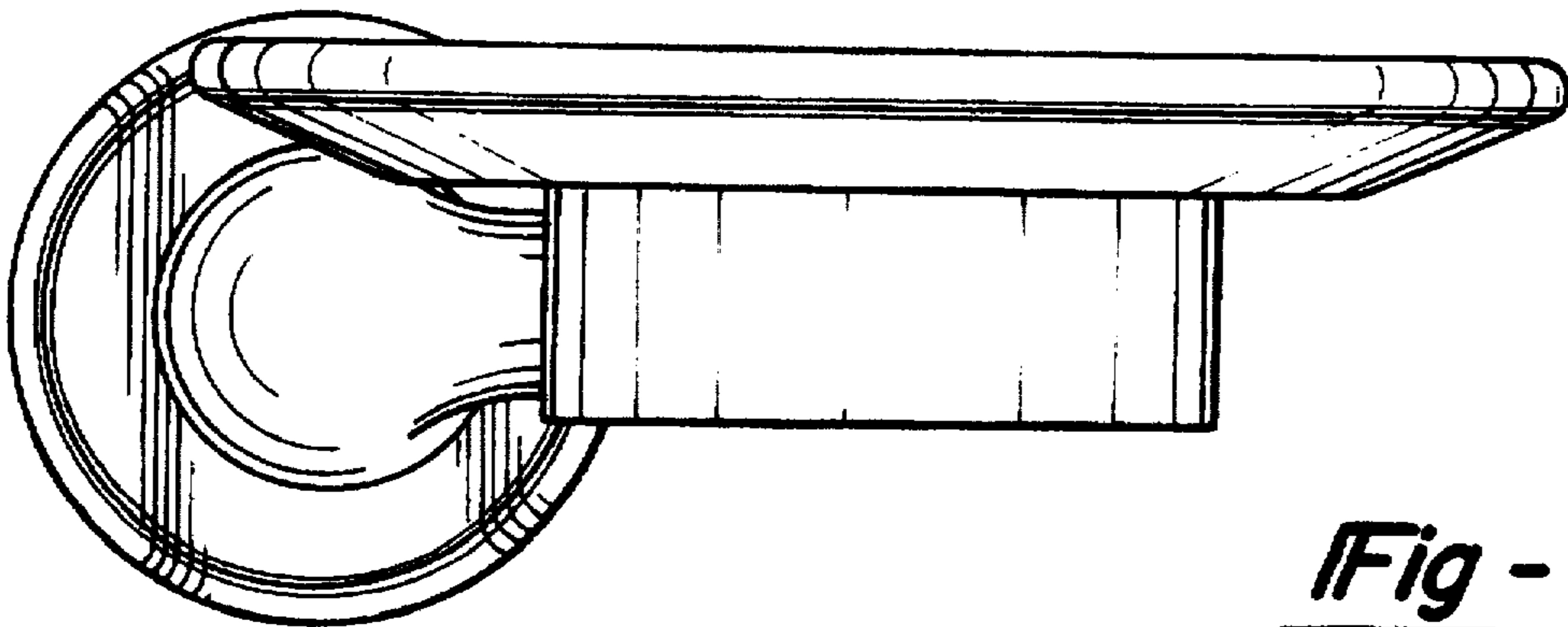


Fig - 3

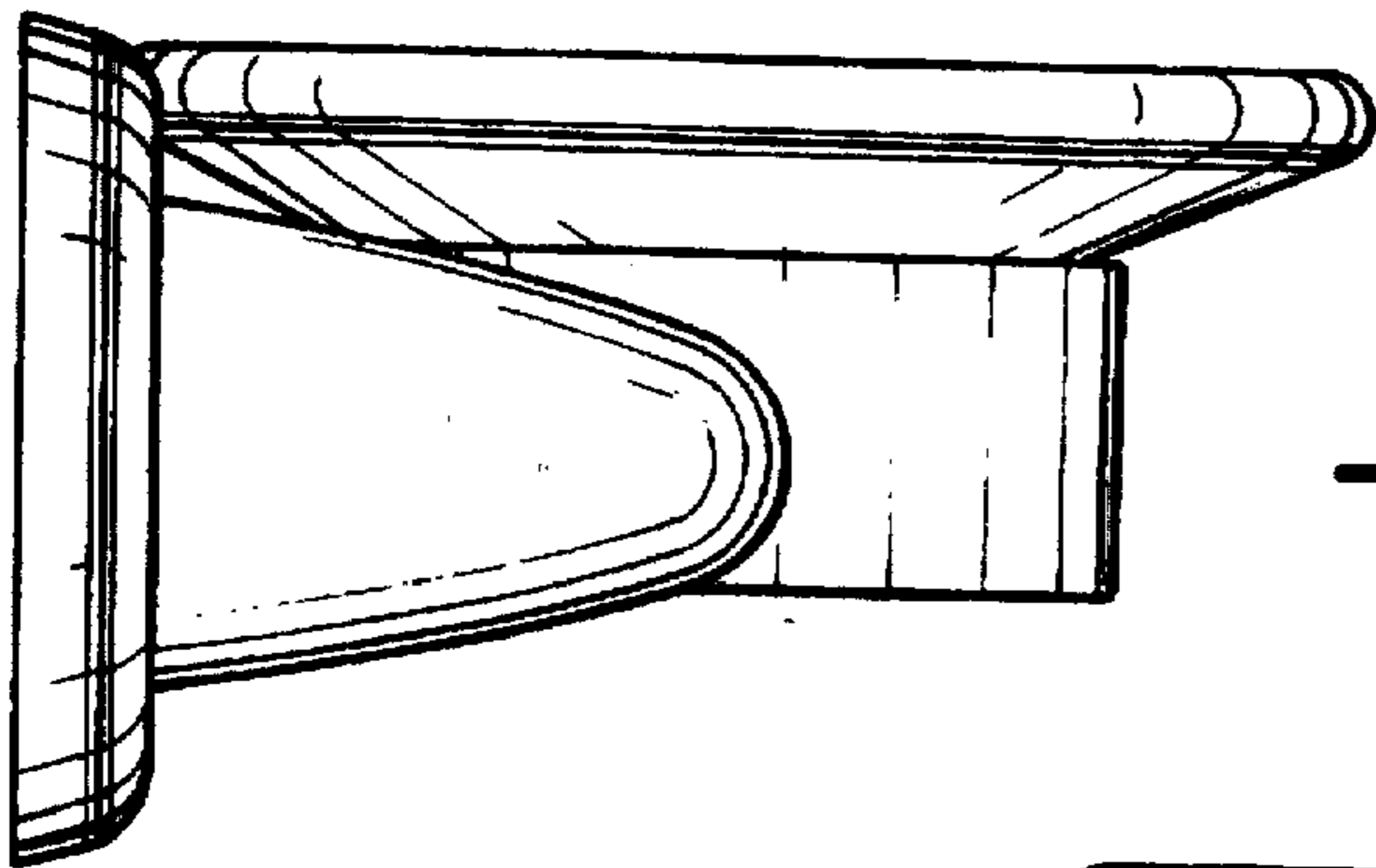


Fig - 4

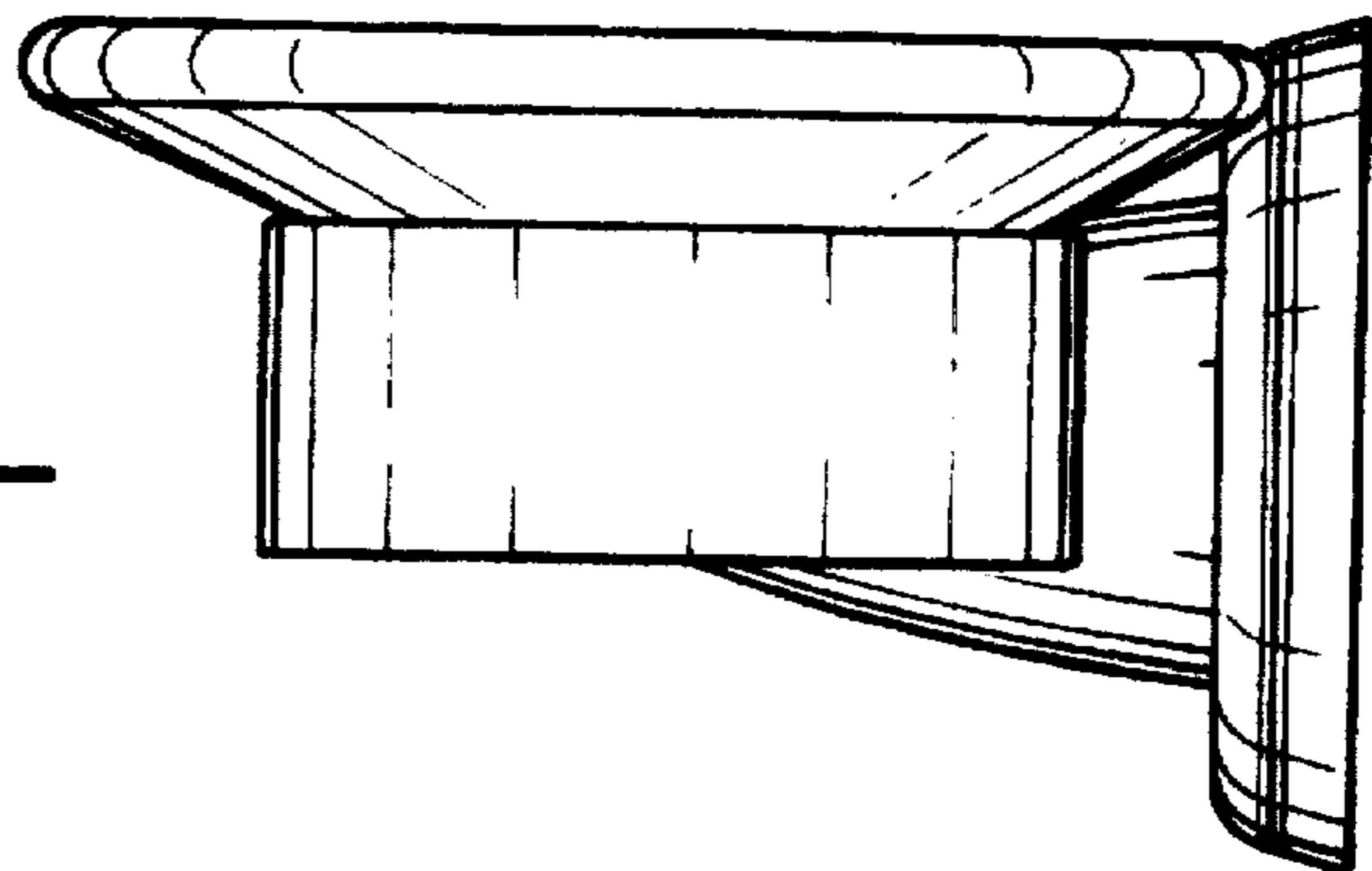


Fig - 5

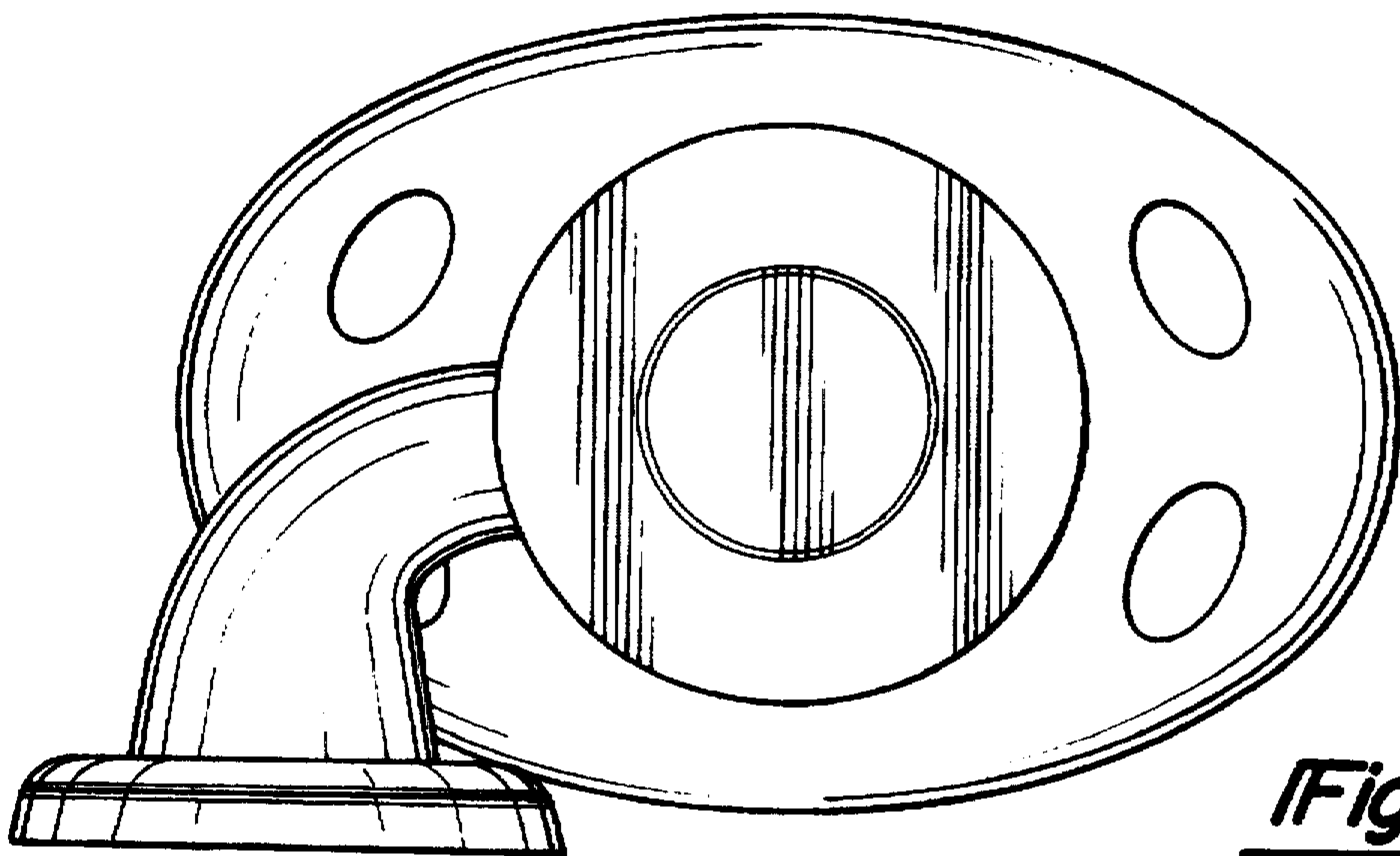


Fig - 6

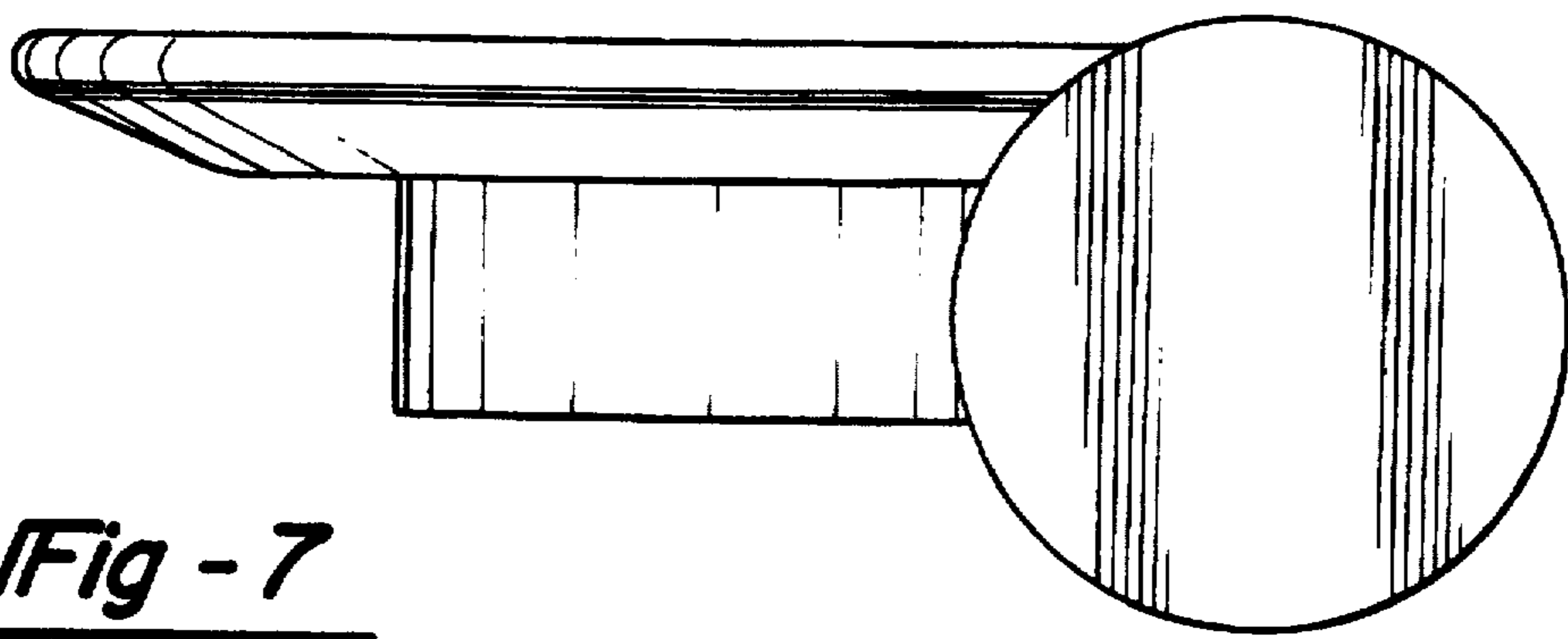


Fig - 7