



US00D386341S

United States Patent [19]
Walker

[11] **Patent Number: Des. 386,341**
[45] **Date of Patent: **Nov. 18, 1997**

[54] **SHOWER BUCKET**

[76] **Inventor: Keith Walker, 17304 Walden Ave.,
Cleveland, Ohio 44128**

[**] **Term: 14 Years**

[21] **Appl. No.: 47,742**

[22] **Filed: Dec. 12, 1995**

[51] **LOC (6) CL. 23-02**

[52] **U.S. Cl. D6/525; D23/303**

[58] **Field of Search D6/524, 525; D28/73;
D22/136; D9/549; D32/53; D3/901, 304,
307, 308, 310, 313, 315; 206/207, 216,
223, 349, 581, 823; D23/303**

[56] **References Cited**

U.S. PATENT DOCUMENTS

D. 265,152	6/1982	Bruno et al.	D6/525
D. 329,561	9/1992	Nyorkor	D6/525
D. 355,553	2/1995	Tiramani	D6/525

Primary Examiner—Louis S. Zarfaz
Assistant Examiner—Eric Watterson
Attorney, Agent, or Firm—Christopher H. Hunter

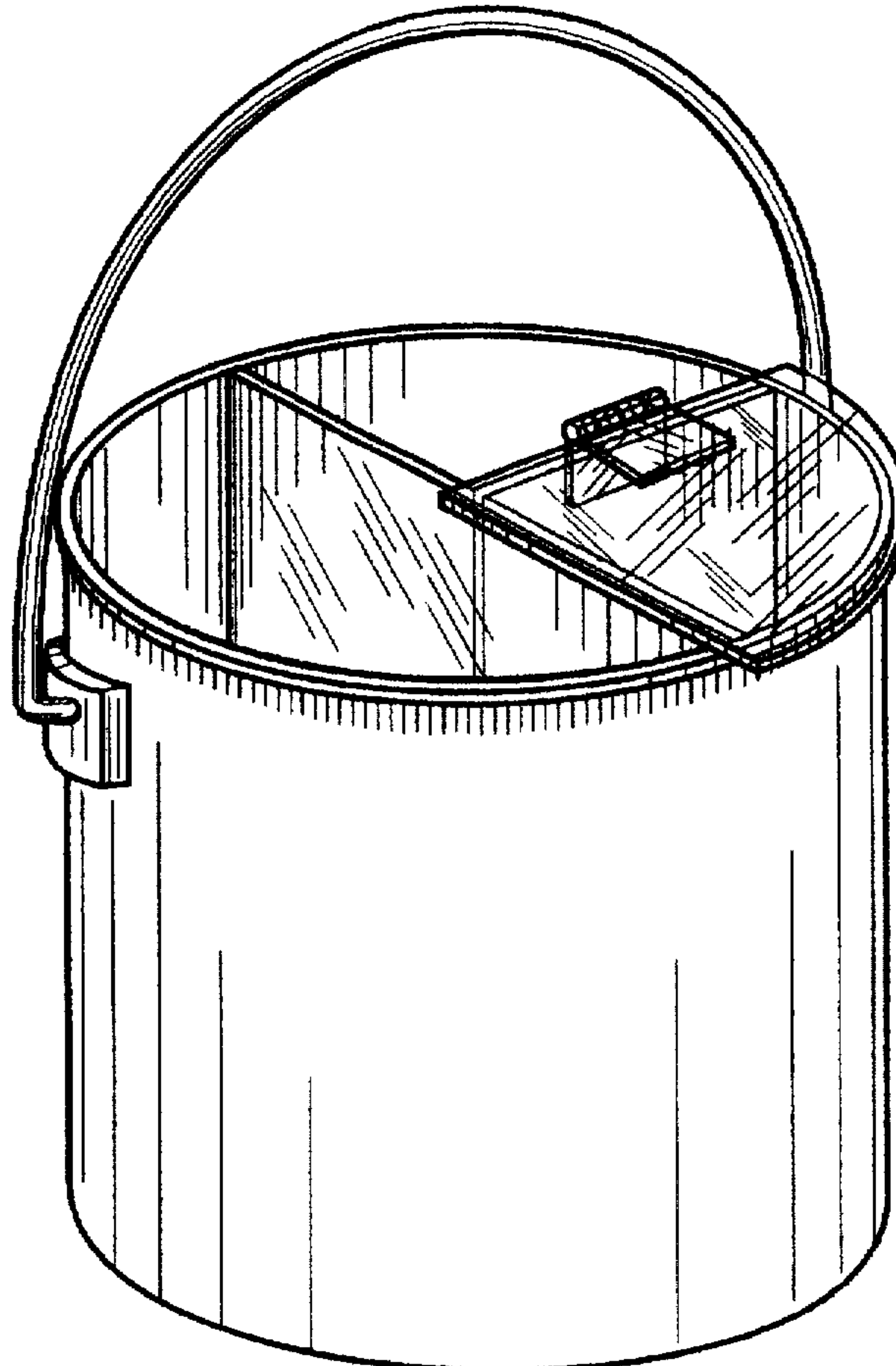
[57] **CLAIM**

The ornamental design for a shower bucket, as shown and described.

DESCRIPTION

FIG. 1 is a front-elevated perspective view of a first embodiment of a shower bucket showing my new design; FIG. 2 is a left side view of the shower bucket of FIG. 1, with the handle of the bucket moved from the position illustrated in FIG. 1 for clarity, the right side view being symmetrical; FIG. 3 is a top plan view of the shower bucket of FIG. 2; FIG. 4 is a bottom view of the shower bucket of FIG. 2; FIG. 5 is a left side view of the shower bucket of FIG. 2, with a cover on the bucket in the open position; FIG. 6 is a top plan view of the shower bucket of FIG. 5, with the cover in the open position; FIG. 7 is a front elevated perspective view of a second embodiment of the shower bucket of FIG. 1; FIG. 8 is a front elevated perspective view of the shower bucket of FIG. 7, with the cover in an open position; FIG. 9 is a left side of the shower bucket of FIG. 8, the right side view being symmetrical; FIG. 10 is a bottom view of the shower bucket of FIG. 7; and, FIG. 11 is a top plan view of the shower bucket of FIG. 7.

1 Claim, 8 Drawing Sheets



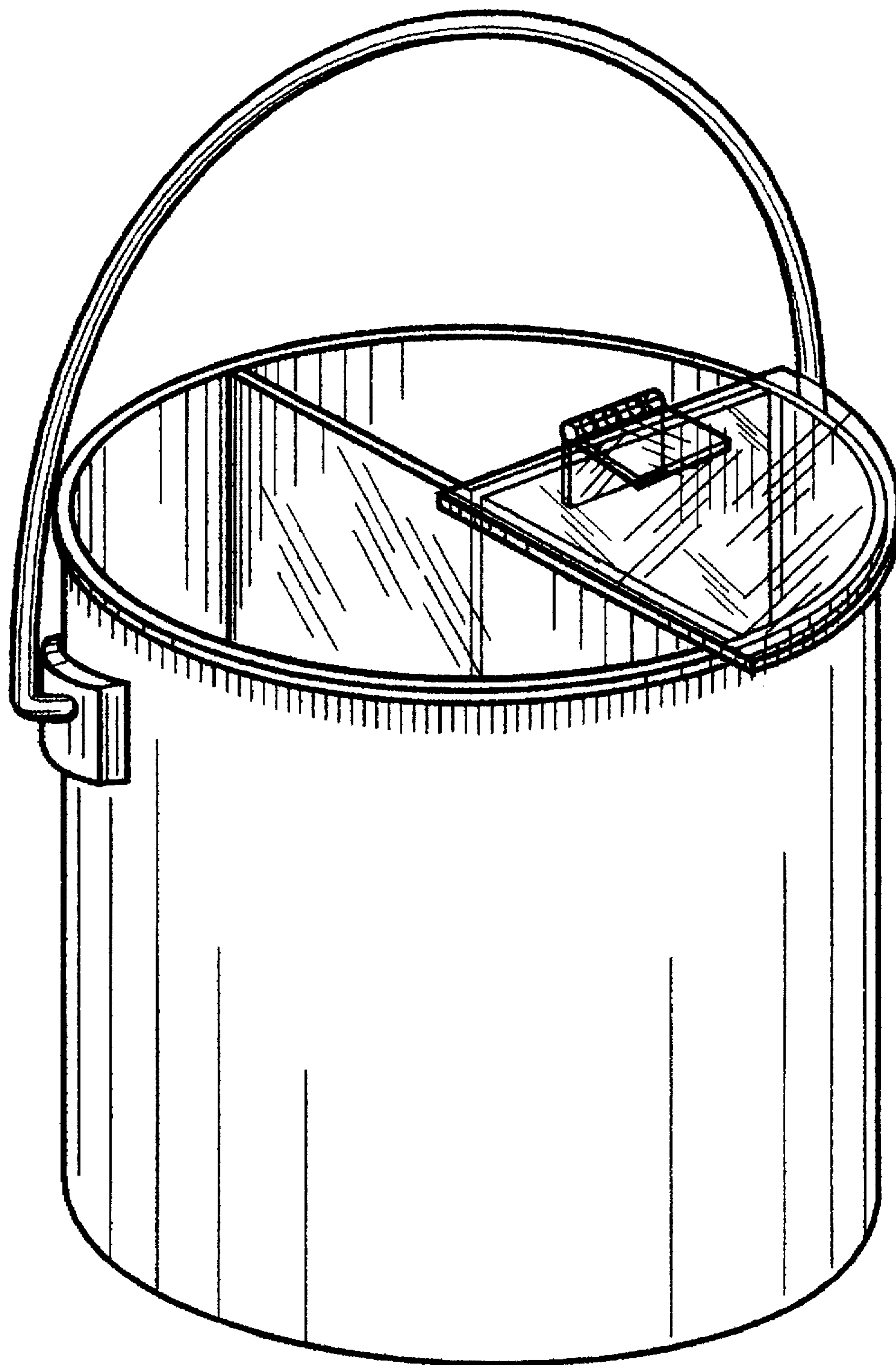


FIG. 1

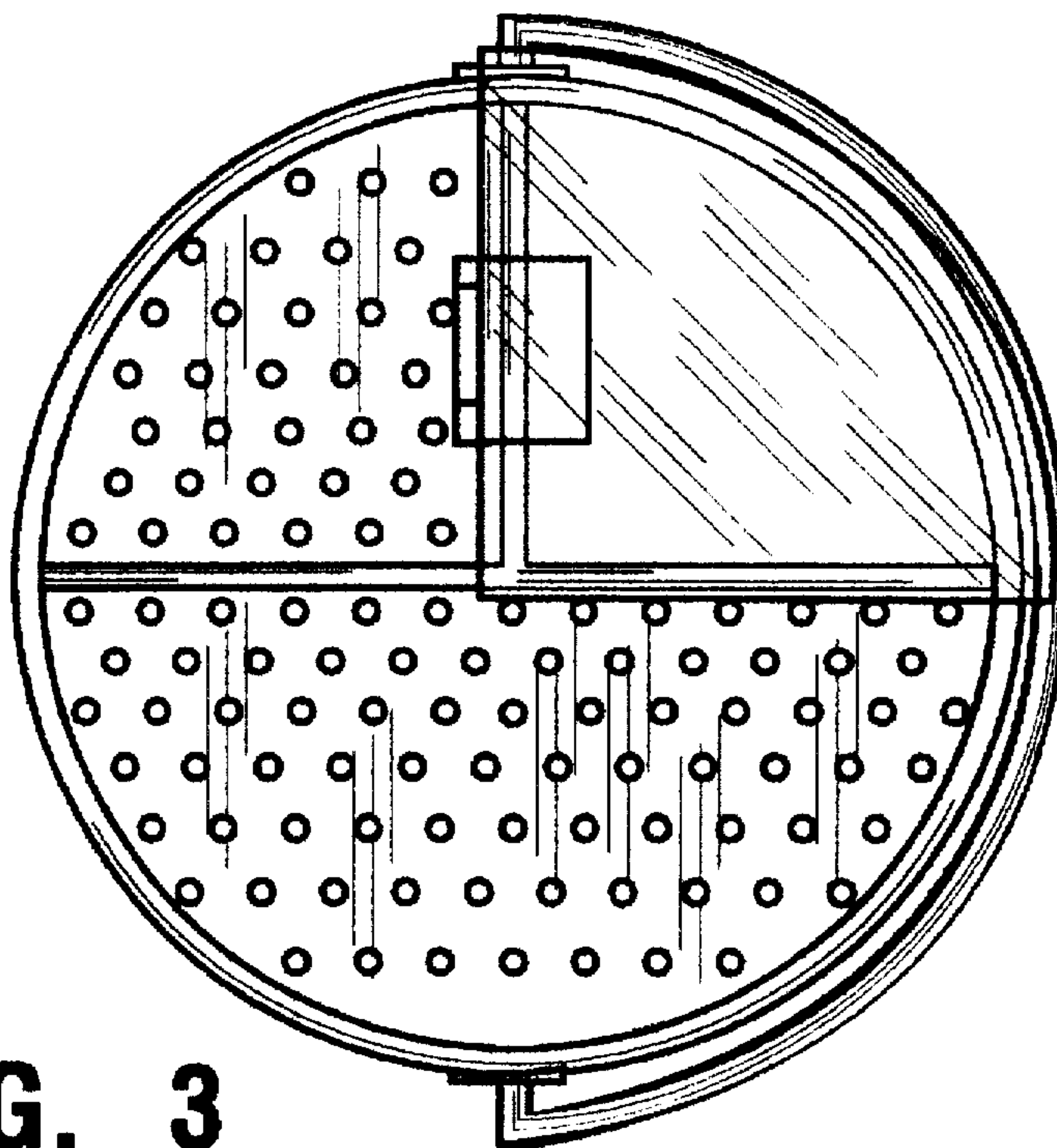


FIG. 3

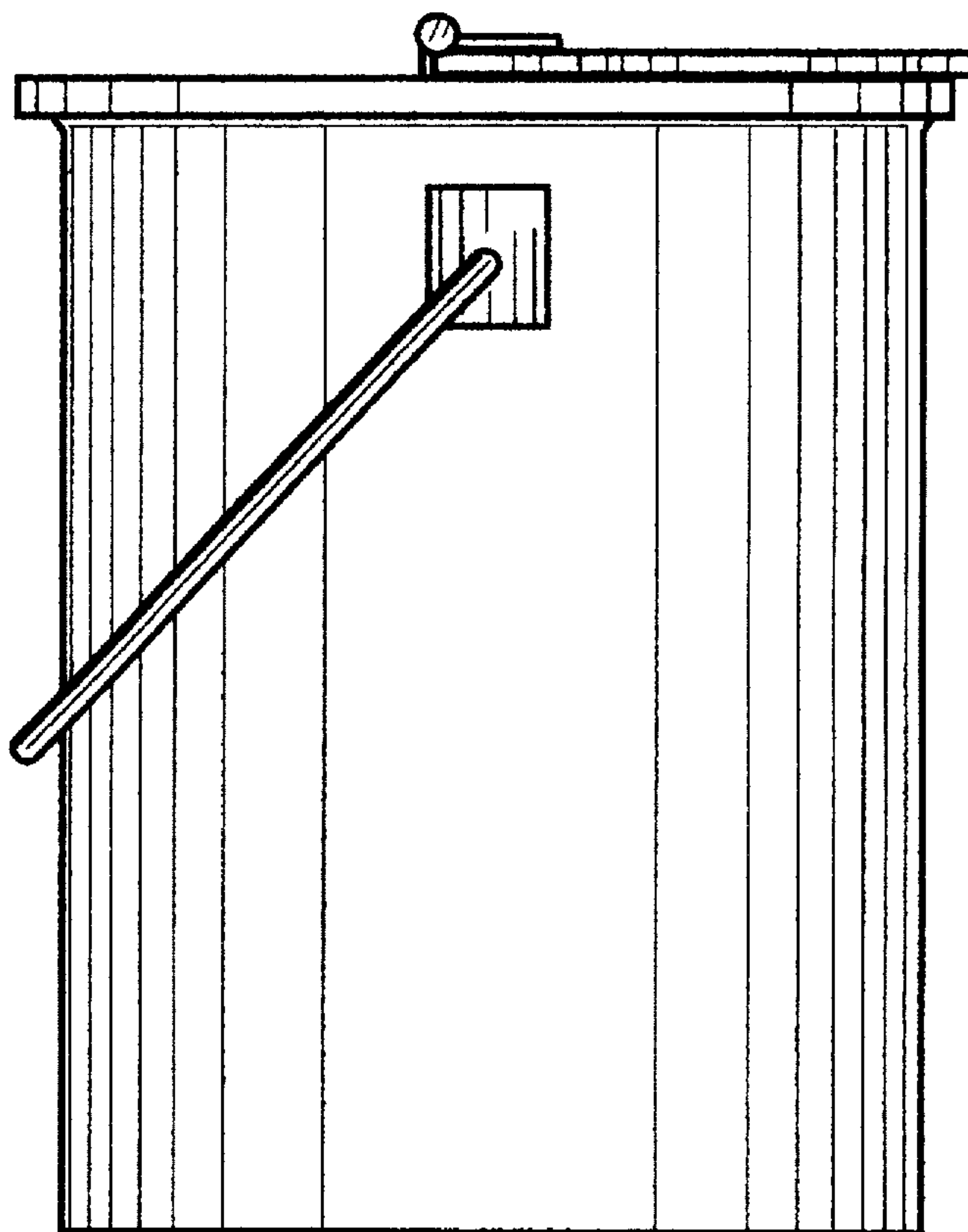


FIG. 2

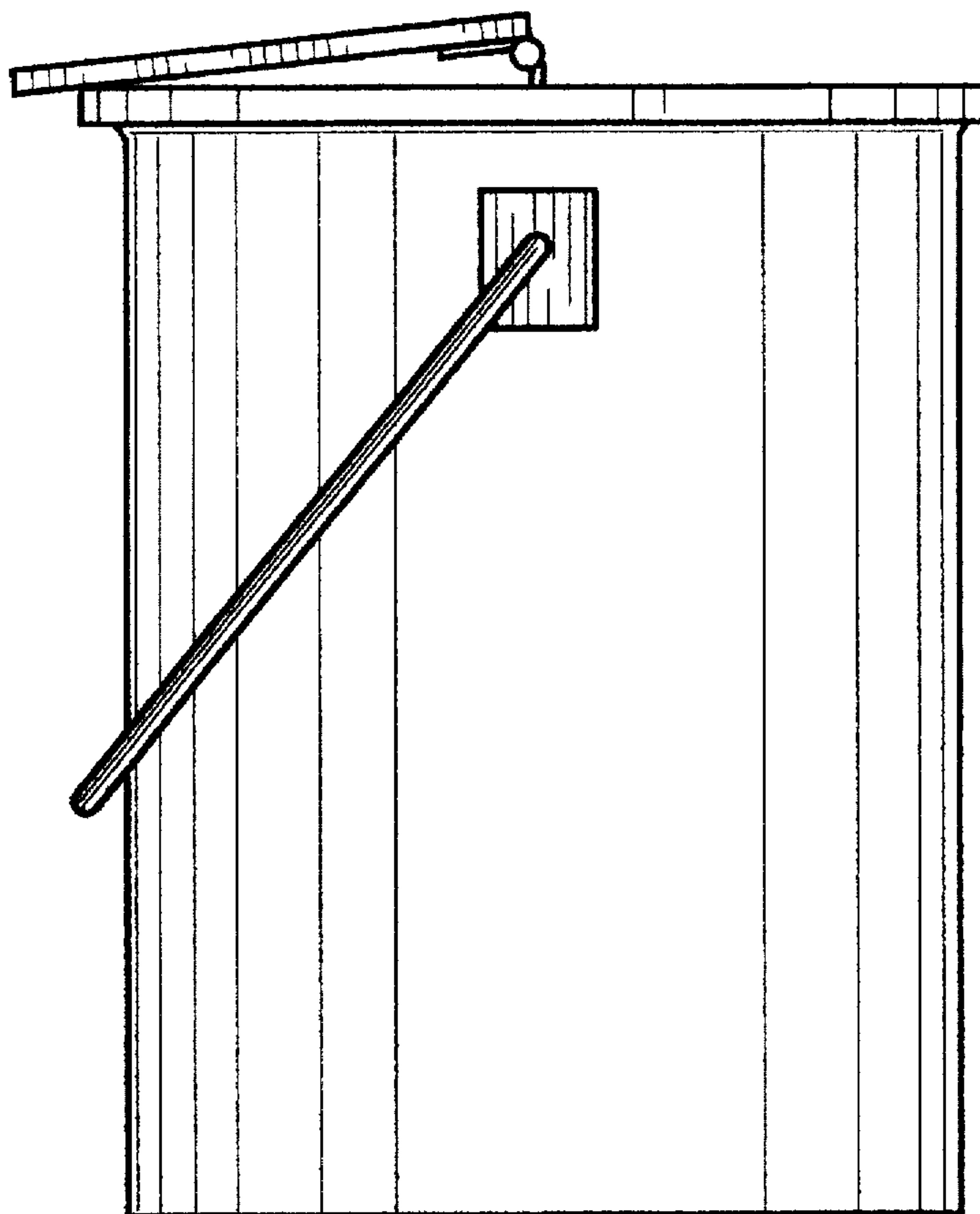


FIG. 5

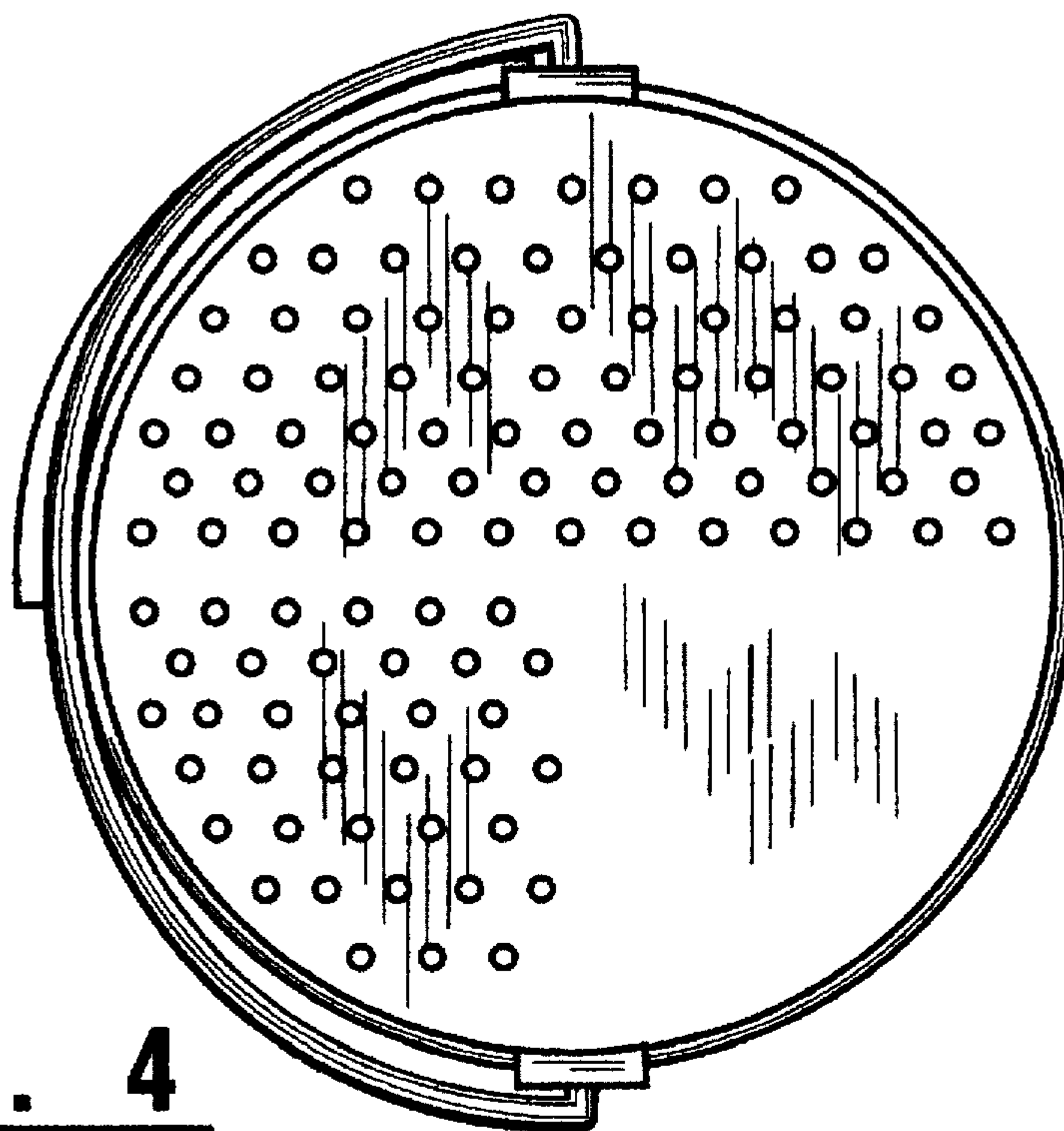


FIG. 4

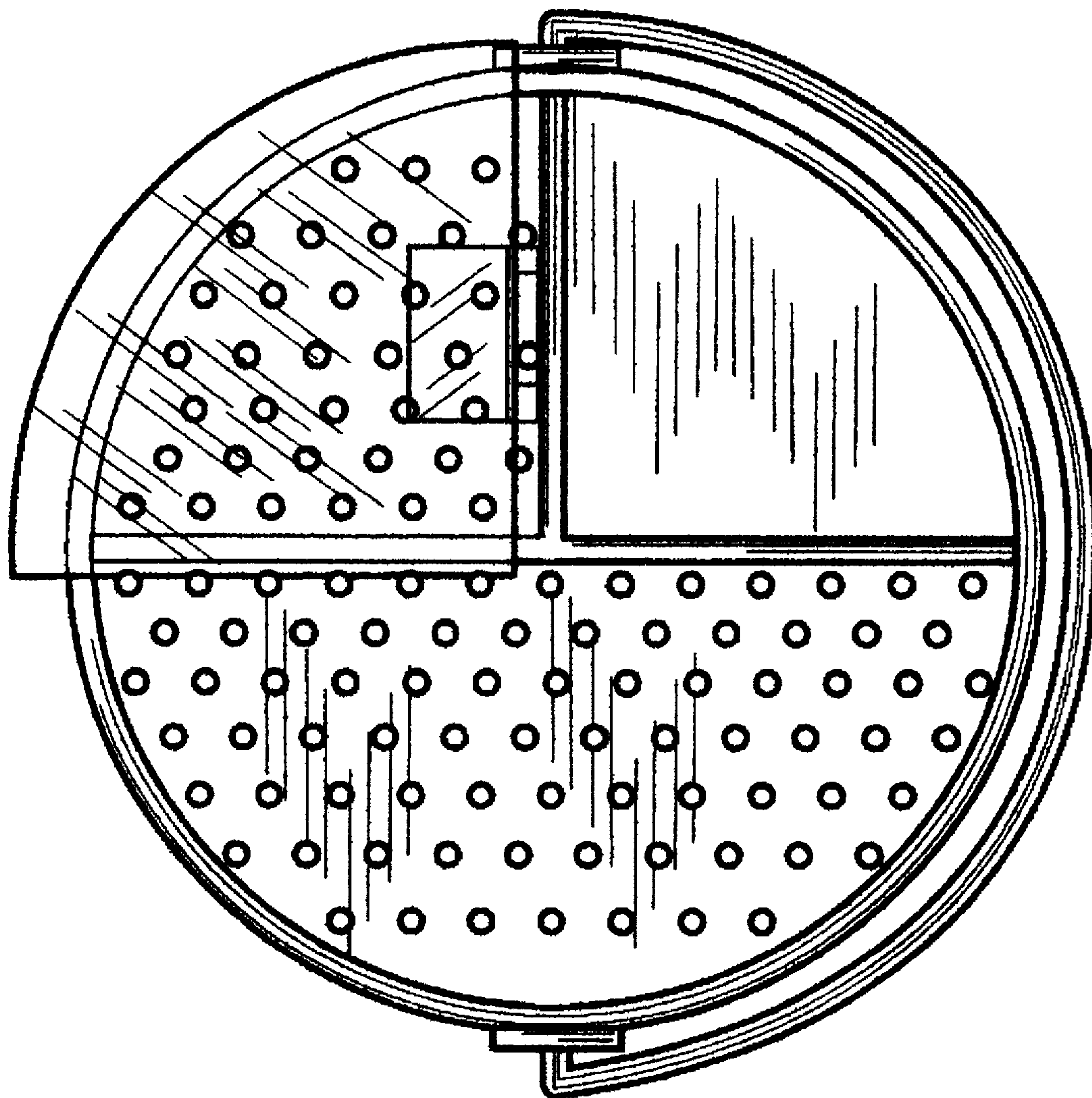


FIG. 6

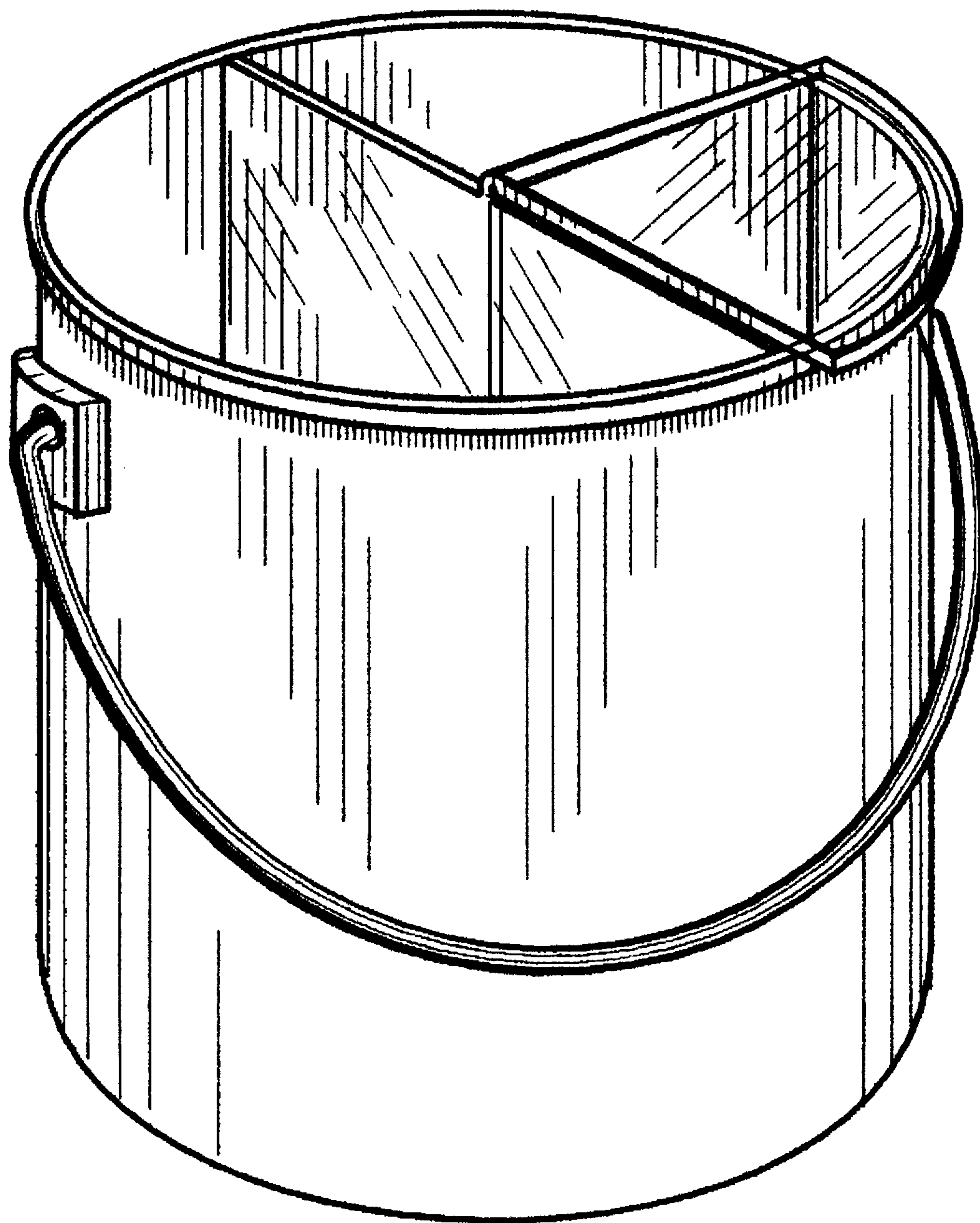


FIG. 7

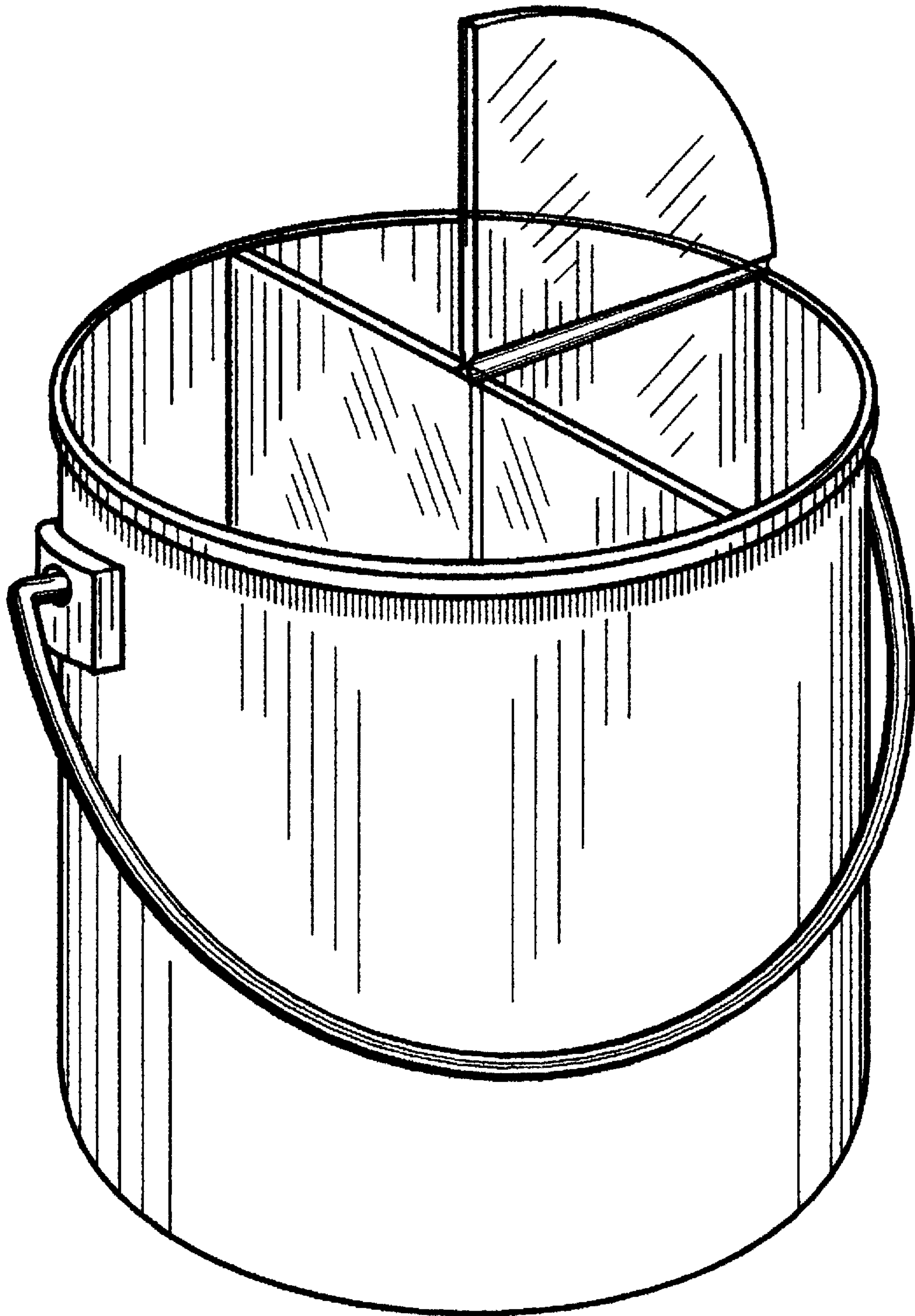


FIG. 8

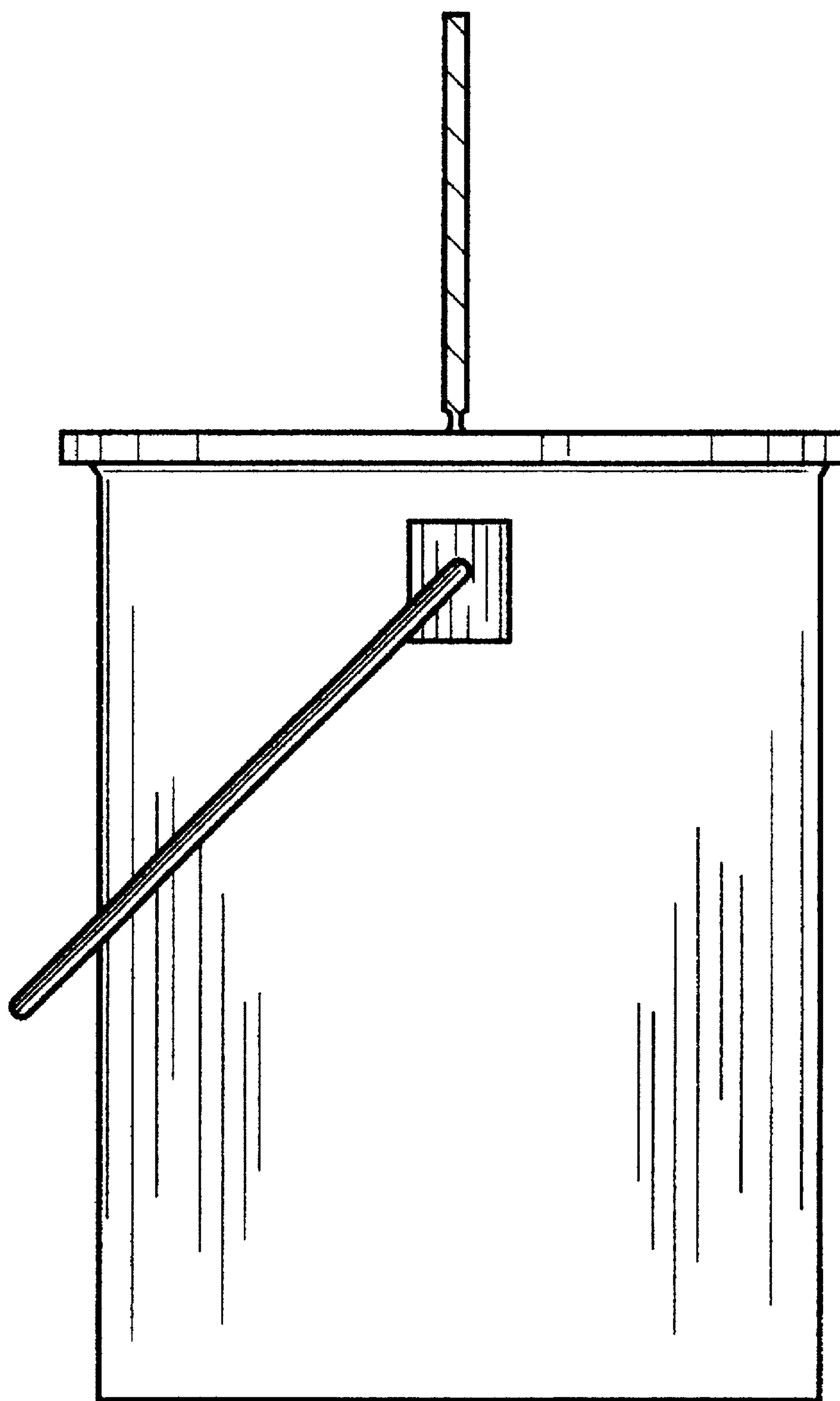


FIG. 9

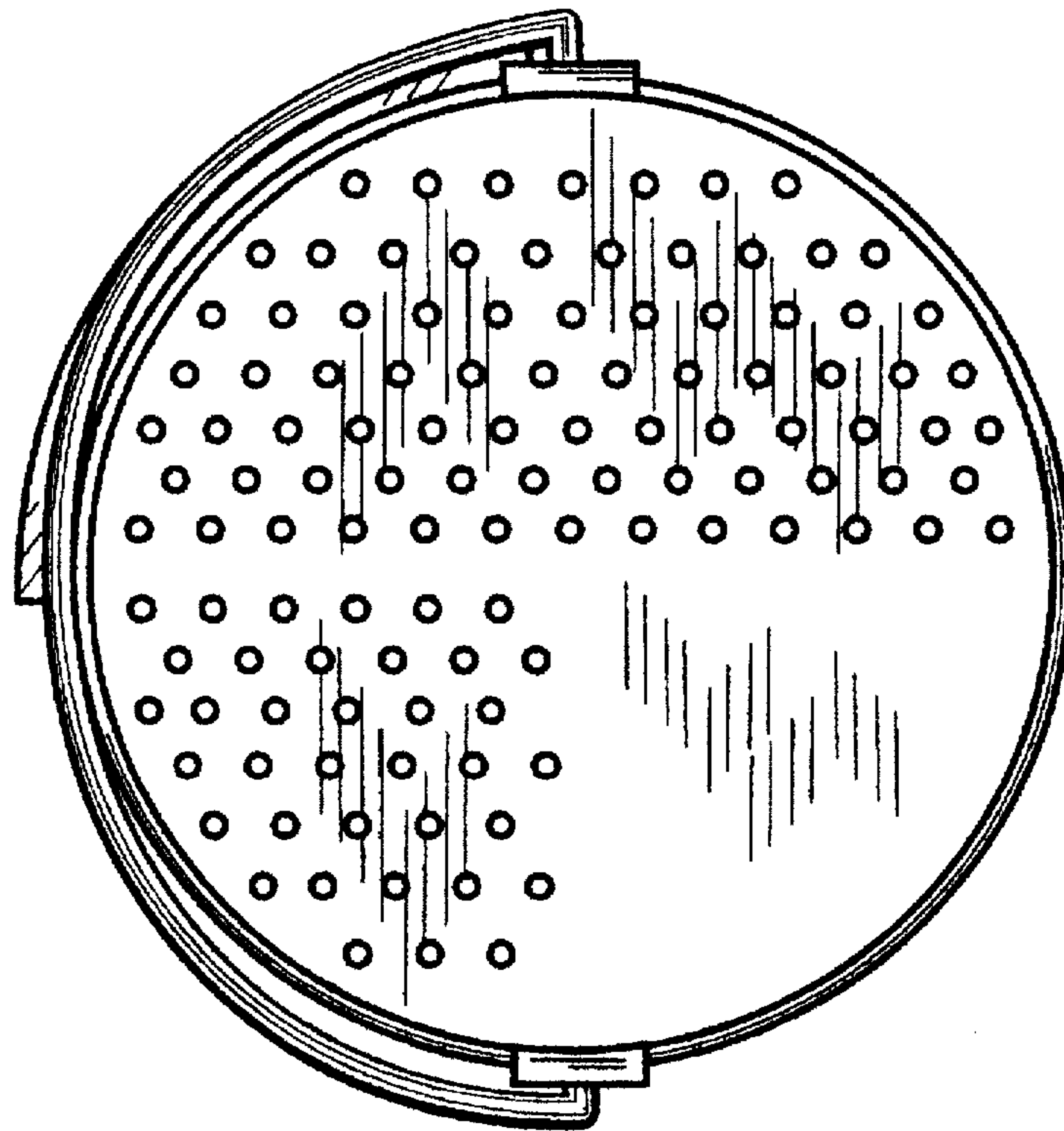


FIG. 10

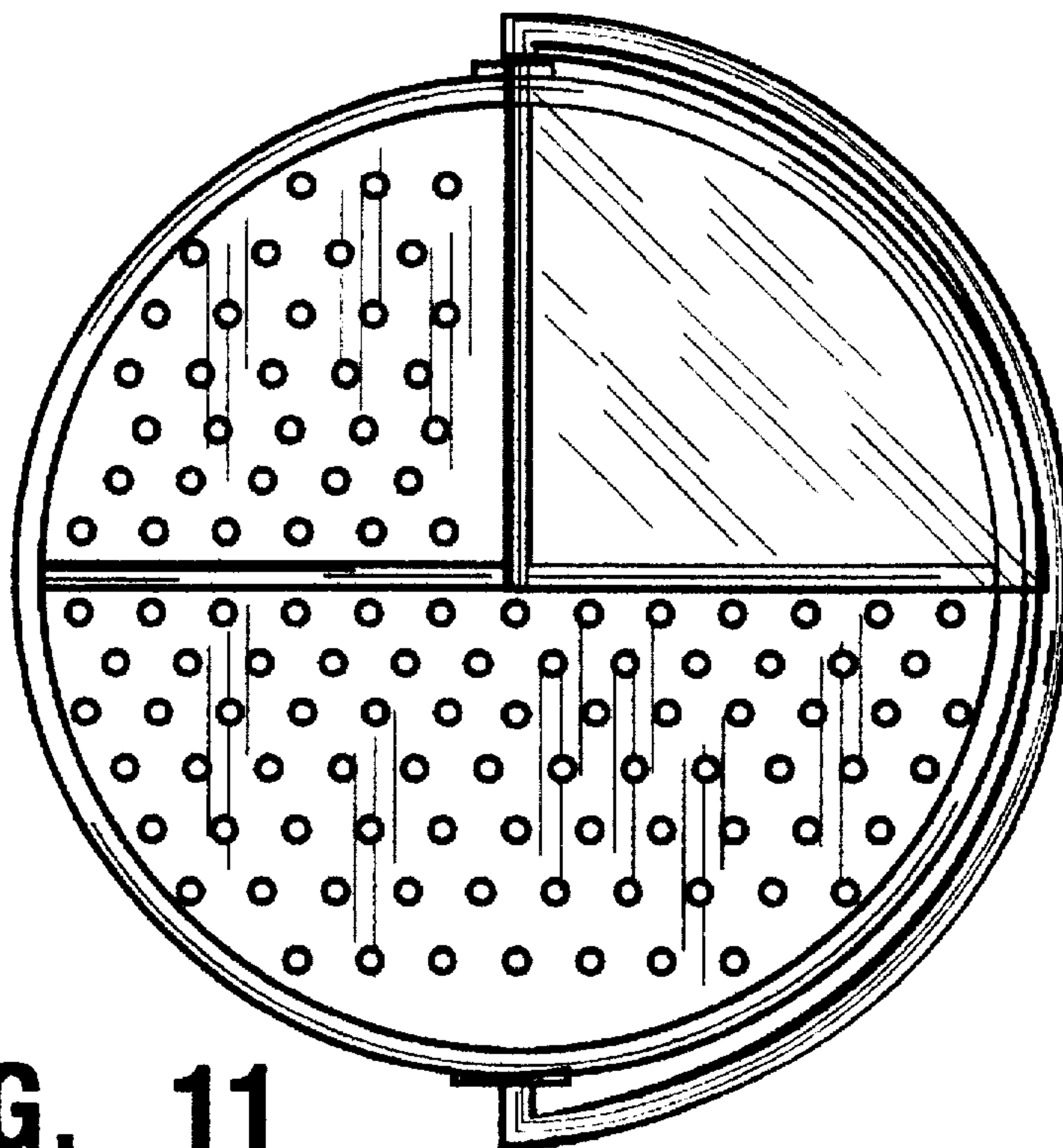


FIG. 11