

US00D386340S

United States Patent [19]
Schneider

[11] **Patent Number:** **Des. 386,340**
[45] **Date of Patent:** ****Nov. 18, 1997**

[54] **TOILET TISSUE HOLDER**
[76] **Inventor:** **David L. Schneider**, 261 Pfrimmers
Chaple Rd., SE., Corydon, Ind. 47112
[**] **Term:** **14 Years**
[21] **Appl. No.:** **57,406**
[22] **Filed:** **Jul. 24, 1996**
[51] **LOC (6) Cl.** **07-07**
[52] **U.S. Cl.** **D6/520; D6/523**
[58] **Field of Search** **D6/518-523; 242/560,**
242/570, 590, 597, 597.7, 600; 248/205.1,
213.2, 214, 218.4, 309.1, 309.2, 905; 312/34.8,
34.22

D. 238,465 1/1976 Bauman D6/521
D. 238,467 1/1976 Bauman D6/521
1,224,106 4/1917 Good .
2,562,923 8/1951 Koliuoski .
3,370,805 2/1968 Barbee .

Primary Examiner—Brian N. Vinson
Attorney, Agent, or Firm—Middleton & Reutlinger; David
W. Carrithers

[57] **CLAIM**

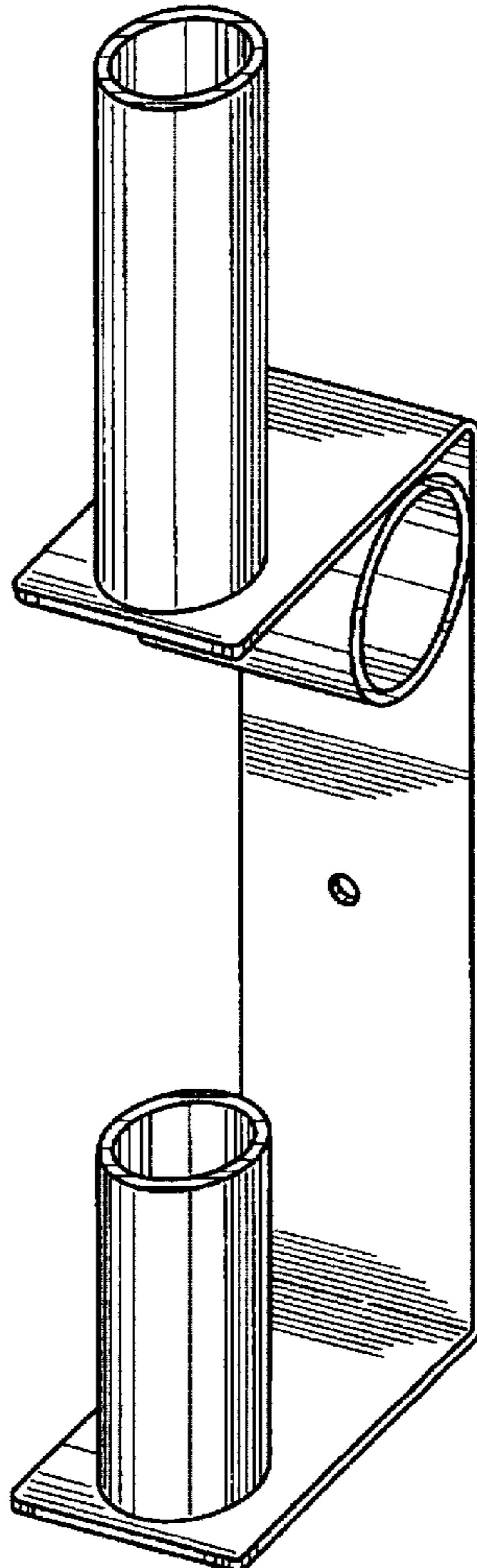
The ornamental design for a toilet tissue holder, as shown
and described.

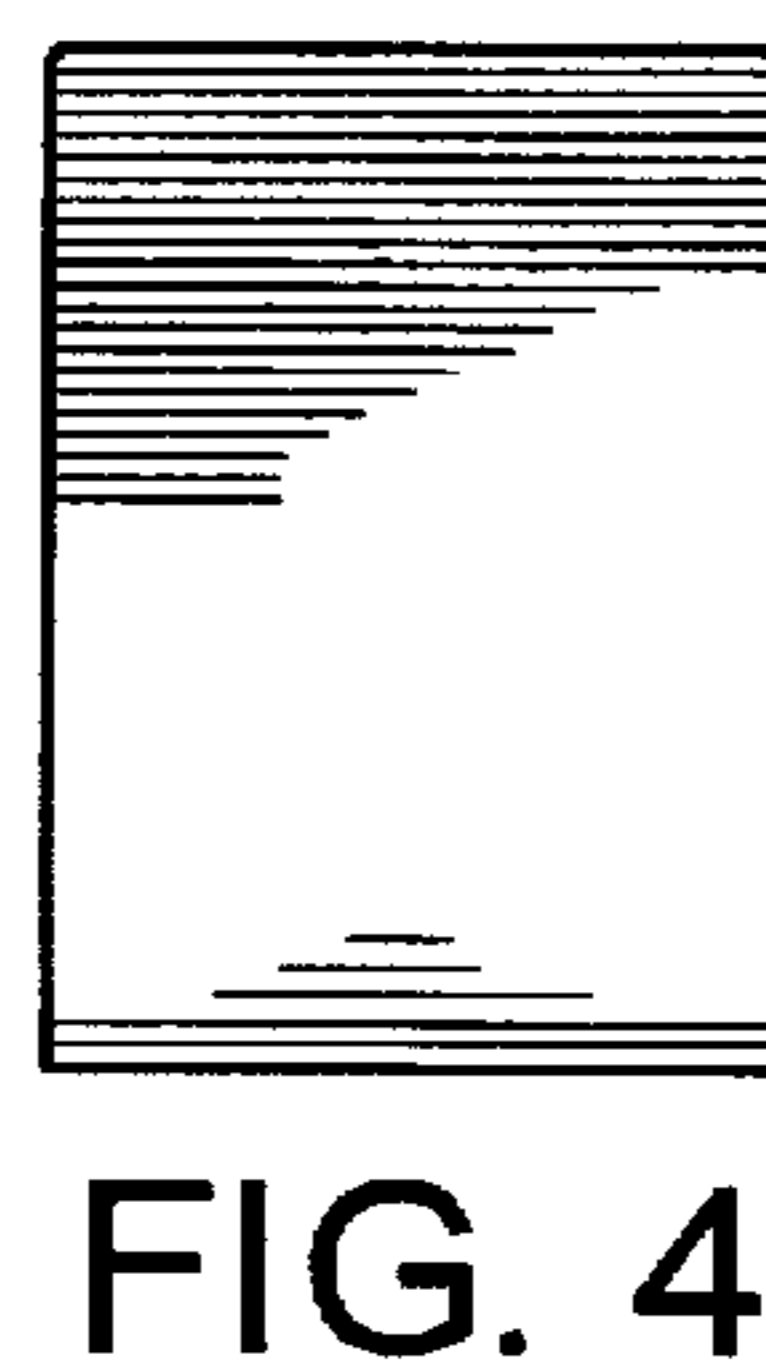
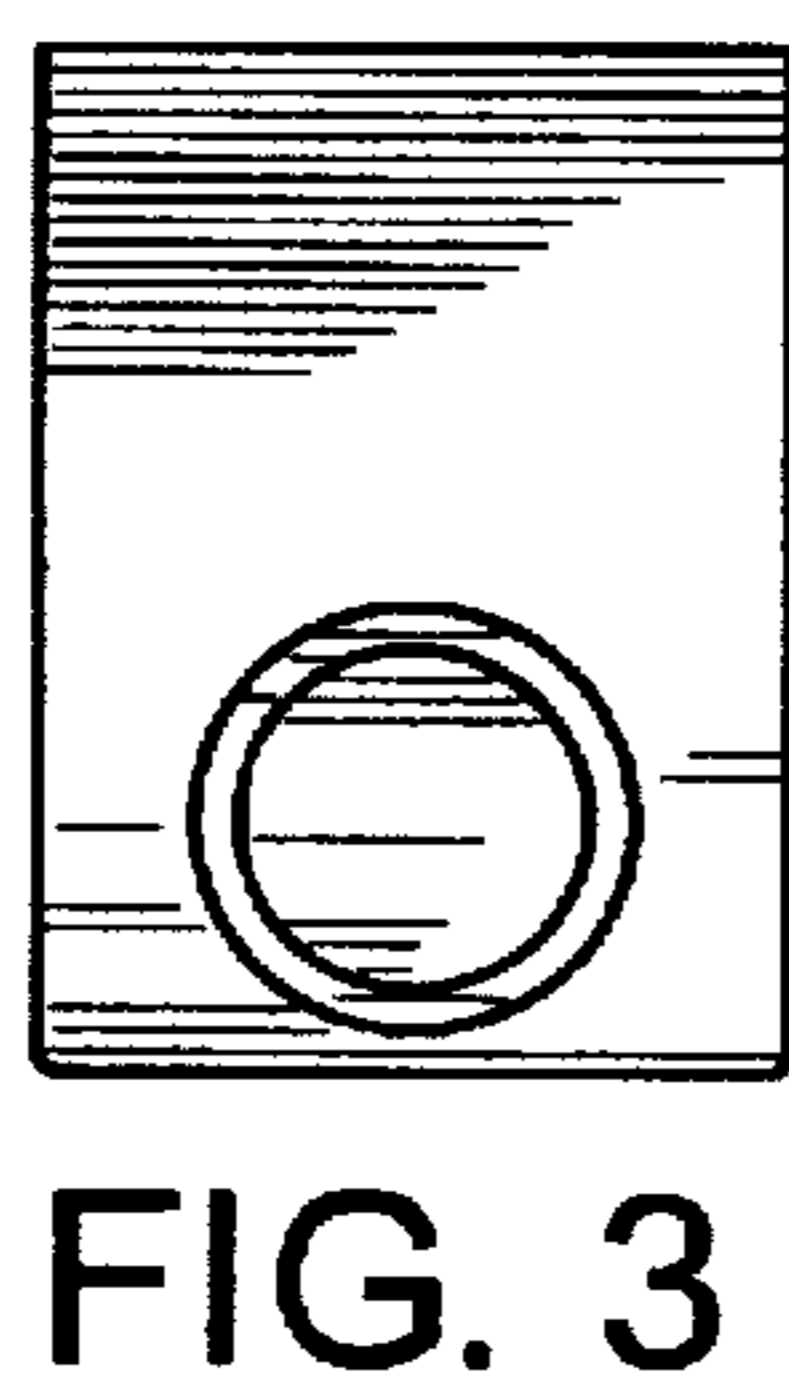
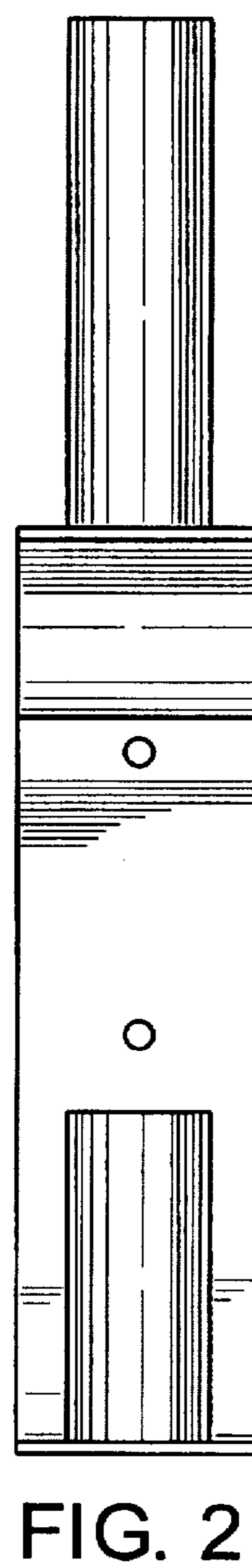
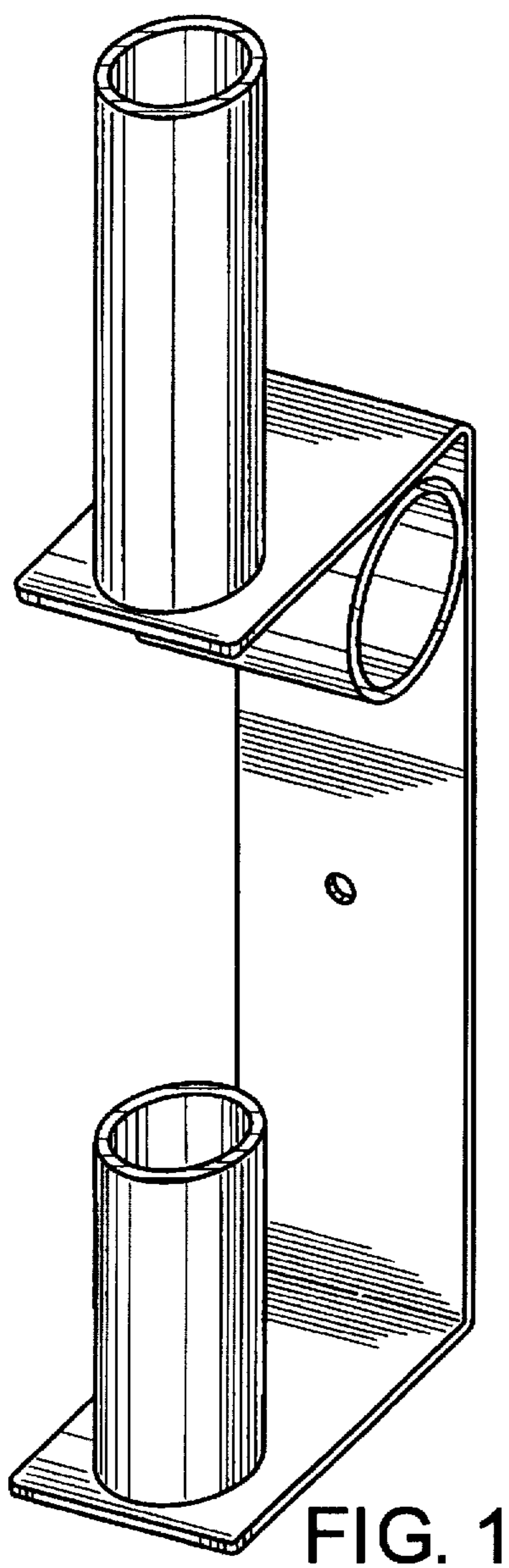
DESCRIPTION

FIG. 1 is an elevational perspective view of the toilet tissue
holder made in accordance with my design;
FIG. 2 is an elevational front view thereof;
FIG. 3 is a top plan view thereof;
FIG. 4 is a bottom plan view thereof;
FIG. 5 is an elevational right side view, the left side view
being a mirror image thereof; and,
FIG. 6 is an elevational rear view thereof.

[56] **References Cited**
U.S. PATENT DOCUMENTS
D. 137,391 2/1944 Belshaw D6/521
D. 229,805 1/1974 James D6/520
D. 238,459 1/1976 Bauman D6/521
D. 238,461 1/1976 Bauman D6/521
D. 238,463 1/1976 Bauman D6/521

1 Claim, 2 Drawing Sheets





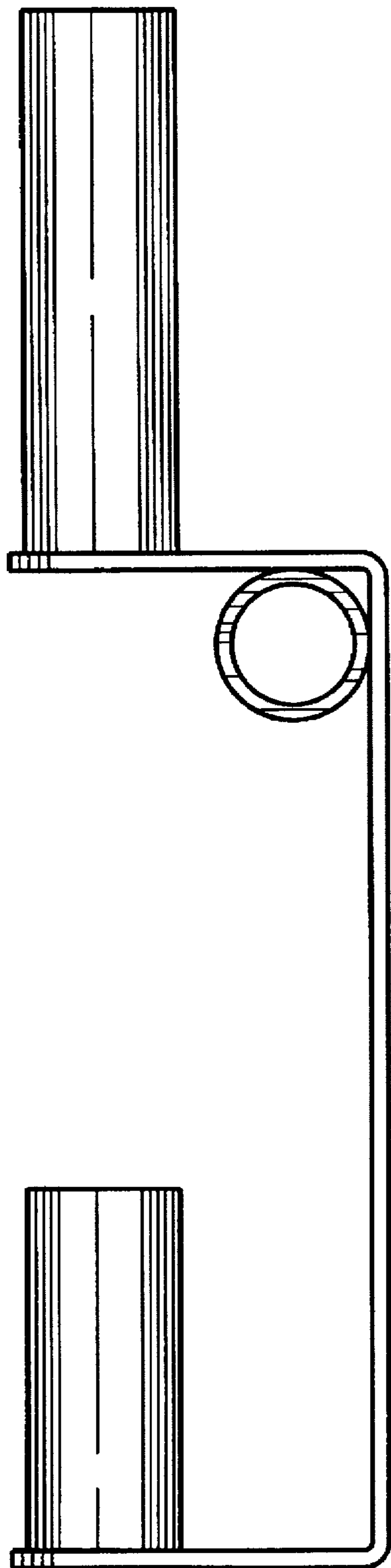


FIG. 5

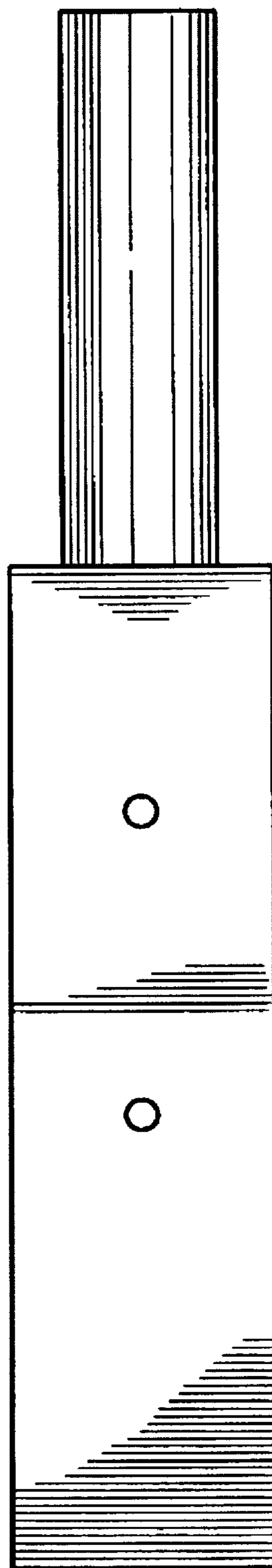


FIG. 6