



US00D386339S

United States Patent [19]
Schneider

[11] **Patent Number:** **Des. 386,339**

[45] **Date of Patent:** ****Nov. 18, 1997**

[54] **TOILET TISSUE HOLDER**

[76] **Inventor:** **David L. Schneider**, 261 Pfrimmers
Chaple Rd., SE., Corydon, Ind. 47112

[**] **Term:** **14 Years**

[21] **Appl. No.:** **57,321**

[22] **Filed:** **Jul. 23, 1996**

[51] **LOC (6) Cl.** **07-07**

[52] **U.S. Cl.** **D6/520; D6/523**

[58] **Field of Search** **D6/518-538; 242/560,**
242/570, 590, 597, 597.7, 600; 248/205.1,
213.2, 214, 218.4, 309.1, 309.2, 905; 312/34.8,
34.22

[56] **References Cited**

U.S. PATENT DOCUMENTS

D. 137,391	2/1944	Belshaw	D6/521
D. 229,805	1/1974	James	D6/520
D. 238,459	1/1976	Bauman	D6/521
D. 238,461	1/1976	Bauman	D6/521
D. 238,463	1/1976	Bauman	D6/521
D. 238,465	1/1976	Bauman	D6/521
D. 238,467	1/1976	Bauman	D6/521

1,224,106 4/1917 Good .
2,562,923 10/1951 Koliuoski .
3,370,805 2/1968 Barbee .

Primary Examiner—Brian N. Vinson
Attorney, Agent, or Firm—Middleton & Reutlinger; David
W. Carrithers

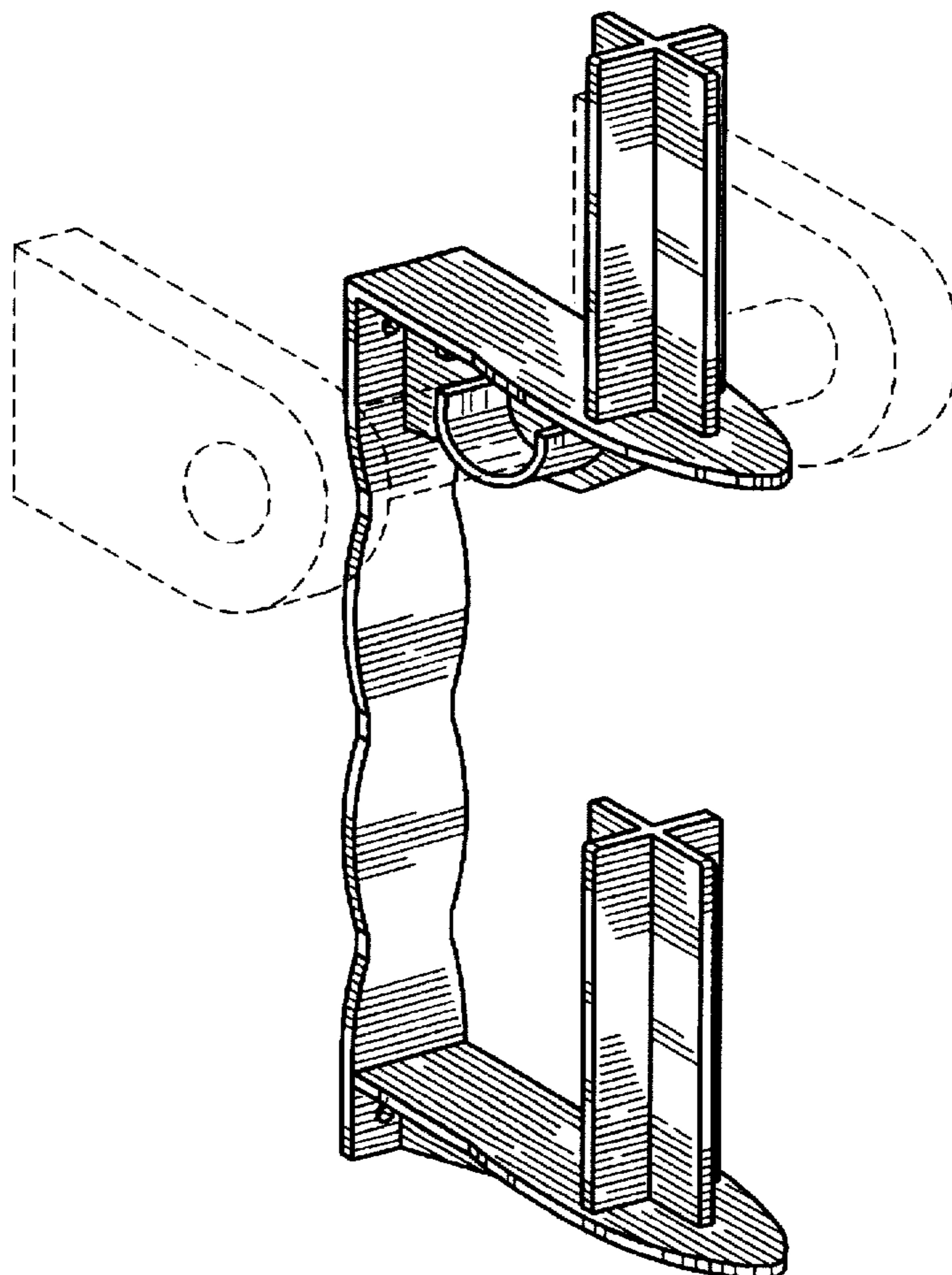
[57] **CLAIM**

The ornamental design for a toilet tissue holder, as shown
and described.

DESCRIPTION

FIG. 1 is an elevational front perspective view of the toilet
tissue holder made in accordance with my design;
FIG. 2 is a elevational left side perspective view thereof;
FIG. 3 is a top plan view thereof;
FIG. 4 is bottom plan view thereof;
FIG. 5 is an elevational right side view thereof;
FIG. 6 is an elevational left side view thereof;
FIG. 7 is an elevational front view thereof; and,
FIG. 8 is an elevational rear view thereof.
The broken line showing a bracket is for illustrative pur-
poses only and forms no part of the claimed design.

1 Claim, 3 Drawing Sheets



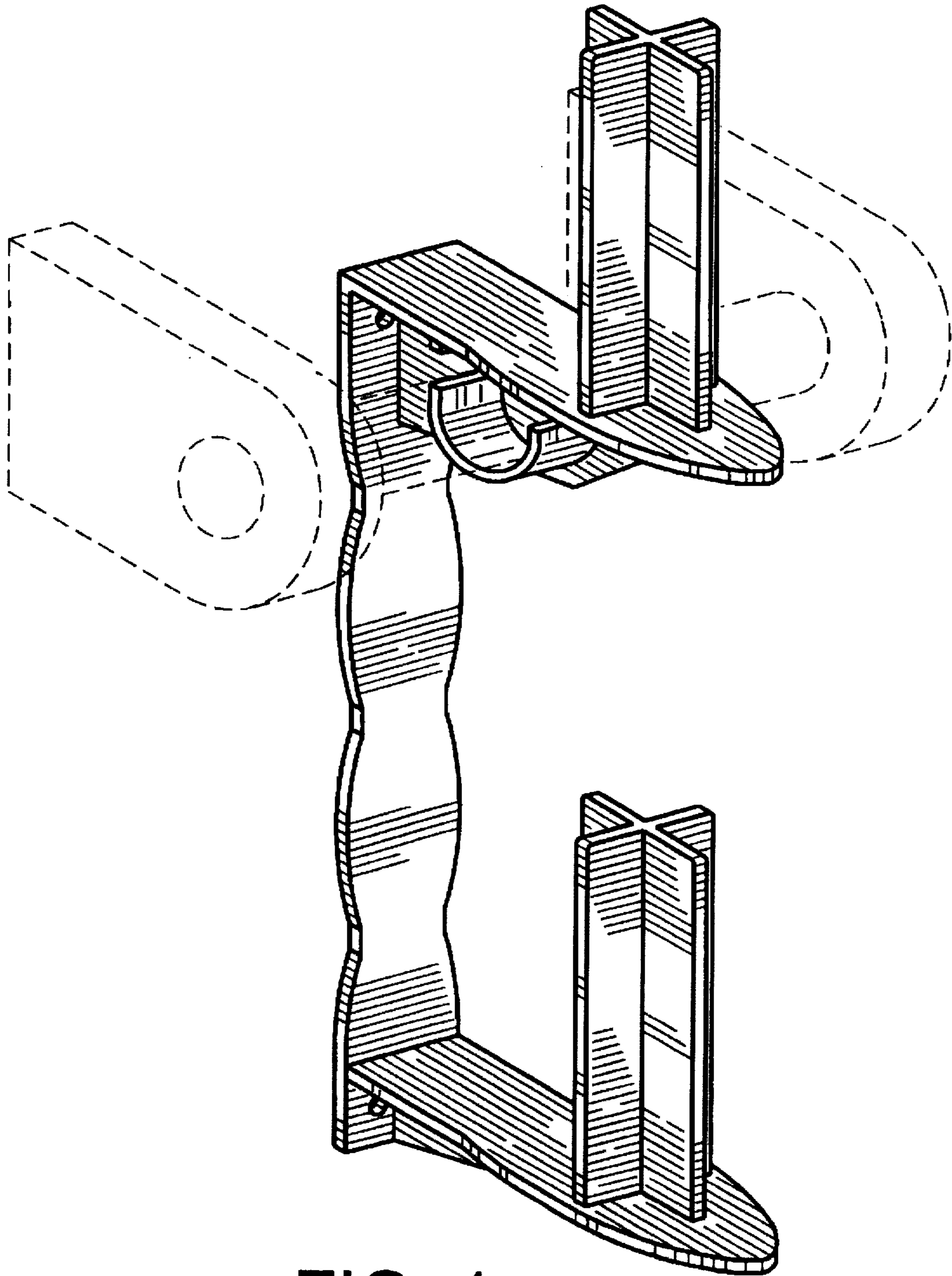


FIG. 1

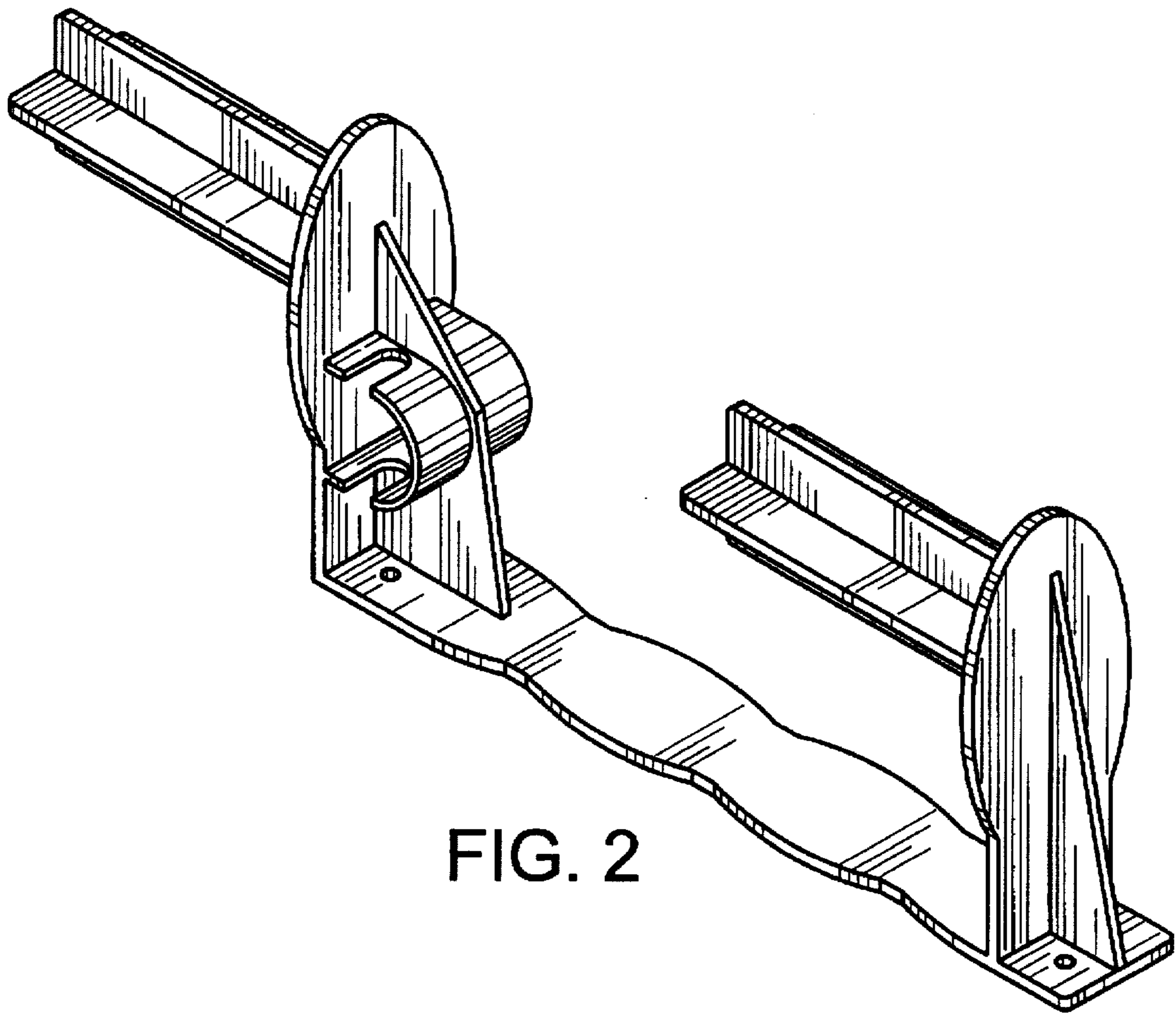


FIG. 2

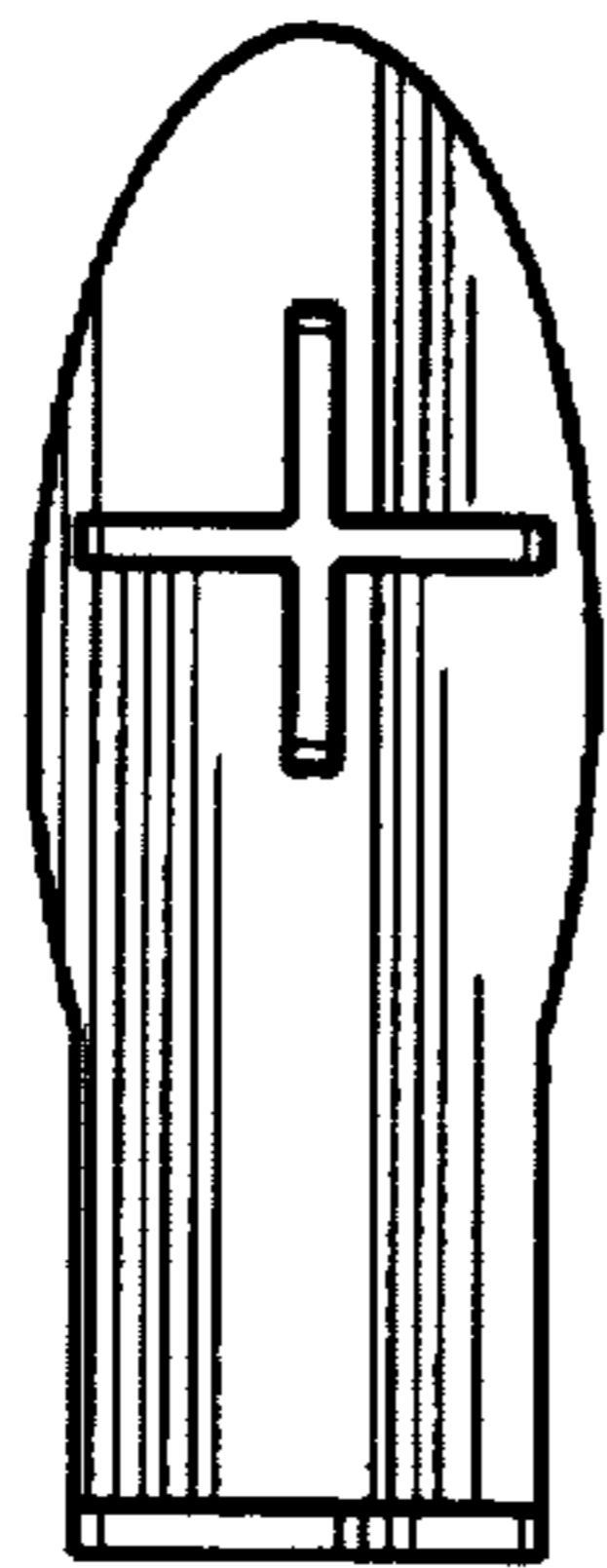


FIG. 3

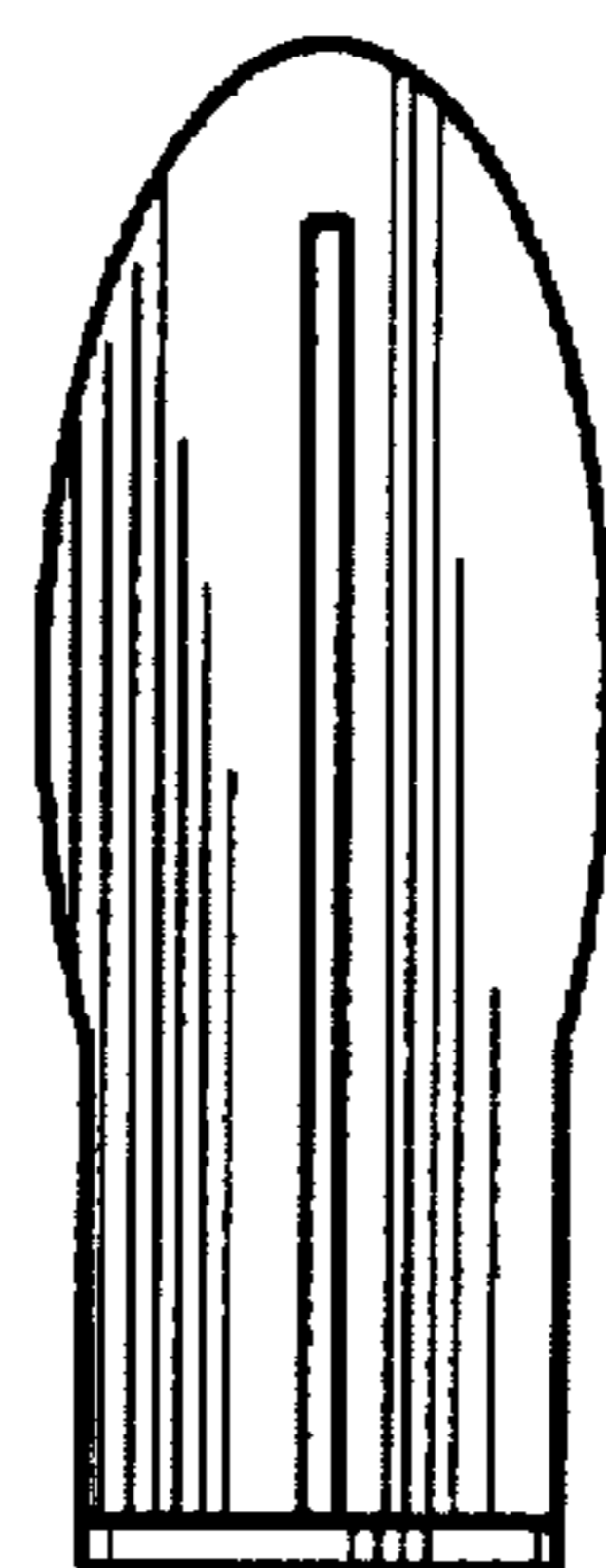


FIG. 4

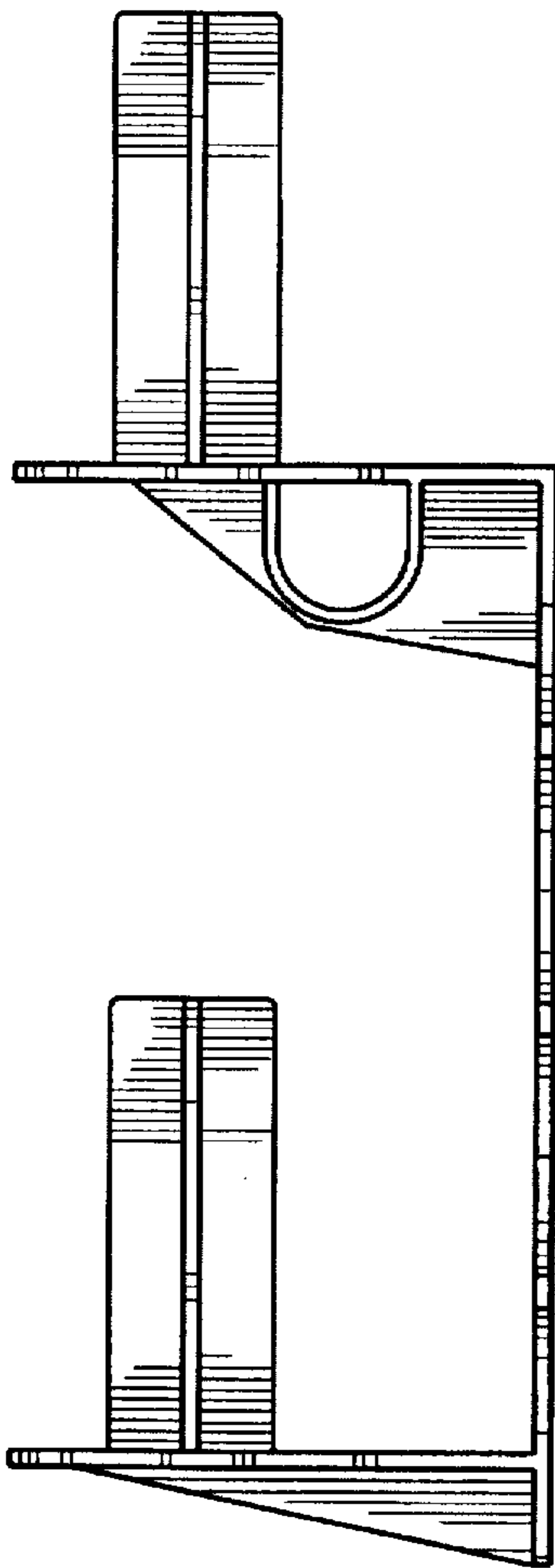


FIG. 5

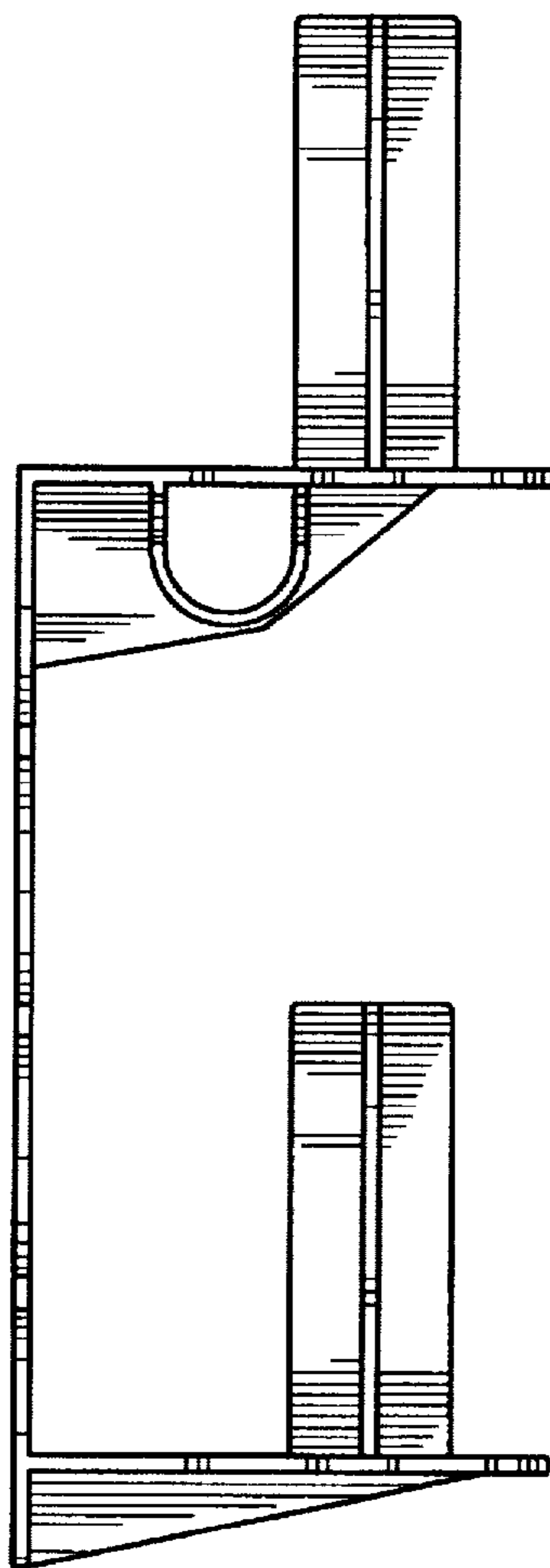


FIG. 6

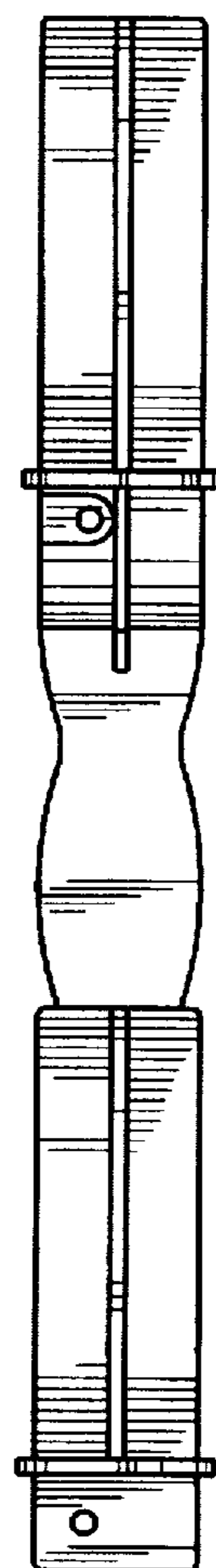


FIG. 7

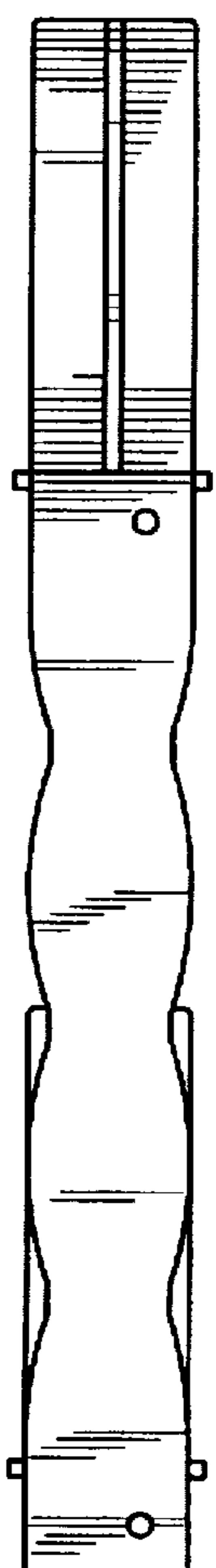


FIG. 8