



US00D386336S

# United States Patent [19] Douglas

[11] Patent Number: Des. 386,336  
[45] Date of Patent: \*\*Nov. 18, 1997

[54] STORAGE DRAWER  
[75] Inventor: Patrick Douglas, Medina, Ohio  
[73] Assignee: Rubbermaid Incorporated, Wooster, Ohio  
[\*\*] Term: 14 Years  
[21] Appl. No.: 62,422  
[22] Filed: Nov. 4, 1996  
[51] LOC (6) Cl. .... 06-04  
[52] U.S. Cl. .... D6/510; D3/304; D9/425  
[58] Field of Search ..... D6/510, 560, 573;  
206/373, 376, 507, 514, 515, 503, 504;  
D3/304, 307, 319; D7/602; 312/330.1, 349,  
304, 334.1, 294, 348.1; D9/424, 425, 431,  
432; 211/184, 126, 133, 188, 194; 108/153;  
220/657, 669, 675

D. 378,039 2/1997 Ferris ..... D9/431 X  
2,733,112 1/1956 Dunham ..... 312/111  
3,514,170 5/1970 Shewchuk ..... 312/107  
3,554,429 1/1971 Dohen ..... 229/15  
3,974,898 8/1976 Tullis et al. .... 190/3  
4,988,003 1/1991 Spitzer et al. .... 211/133 X

### OTHER PUBLICATIONS

P. 3, Storage drawers; Sterilite Corporation, P.O. Box 524, Main Street, Townsend, Massachusetts. Published at least as early as Jul., 1996.  
Magazine page, "HFD", Storage drawers. Sterilite Corporation, P.O. Box 524, Main Street, Townsend, Massachusetts. Published at least as early as Jul., 1996.  
Catalog page, Storage drawers; Sterilite Corporation, P.O. Box 524, Main Street, Townsend, Massachusetts. Publication date 1990.  
Catalog page, Storage drawers; Iris, address unknown. Published at least as early as Jul., 1996.  
Pp. 25, 26 and 29. Storage drawers; "Hold Everything" catalog, address unknown. Published at least as early as Jan., 1993.

### [56] References Cited

#### U.S. PATENT DOCUMENTS

D. 191,144 8/1961 Schanz ..... D58/12  
D. 246,872 1/1978 White ..... D87/1 R  
D. 275,918 10/1984 Taylor ..... D6/510  
D. 300,488 4/1989 Yoshikawa ..... D6/465  
D. 301,076 5/1989 Yoshikawa ..... D34/21  
D. 302,774 8/1989 Murphy ..... D7/76  
D. 310,748 9/1990 Embree ..... D34/40  
D. 326,345 5/1992 Mandell et al. .... D34/40  
D. 330,813 11/1992 Spitzer et al. .... D6/432  
D. 336,806 6/1993 Zoellner ..... D6/510  
D. 357,120 4/1995 Miller ..... D3/312  
D. 358,727 5/1995 Dickinson et al. .... D6/470  
D. 360,778 8/1995 Apt, III et al. .... D6/448  
D. 363,604 10/1995 Koenig et al. .... D3/312  
D. 363,662 10/1995 Plater ..... D9/425  
D. 364,272 11/1995 Brightbill ..... D3/312  
D. 370,345 6/1996 Wolff ..... D3/312  
D. 372,123 7/1996 Kobilarcik et al. .... D3/312  
D. 372,583 8/1996 Brightbill ..... D3/314  
D. 377,739 2/1997 Carlson ..... D9/425 X

Primary Examiner—James Gandy  
Assistant Examiner—Linda Brooks  
Attorney, Agent, or Firm—Richard B. O'Planick; Lisa B. Riedesel

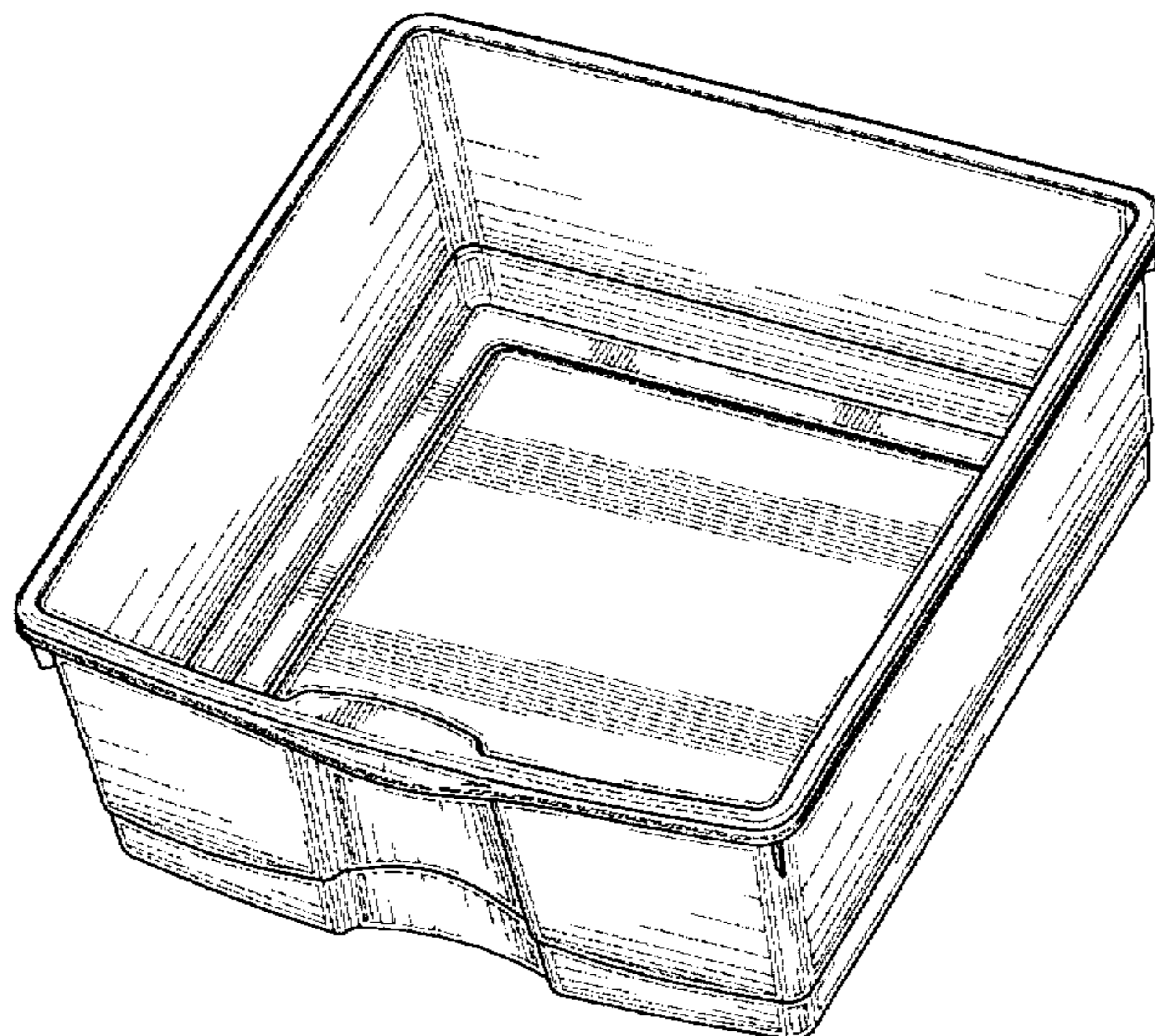
### [57] CLAIM

The ornamental design for a storage drawer, as shown and described.

### DESCRIPTION

FIG. 1 is a top right front perspective view of a storage drawer showing my new design;  
FIG. 2 is a top plan view thereof;  
FIG. 3 is an enlarged right side elevational view thereof; the left side elevational view being a mirror image;  
FIG. 4 is a front elevational view of FIG. 3;  
FIG. 5 is an enlarged rear elevational view of FIG. 4; and,  
FIG. 6 is a bottom plan view of FIG. 2.

1 Claim, 6 Drawing Sheets



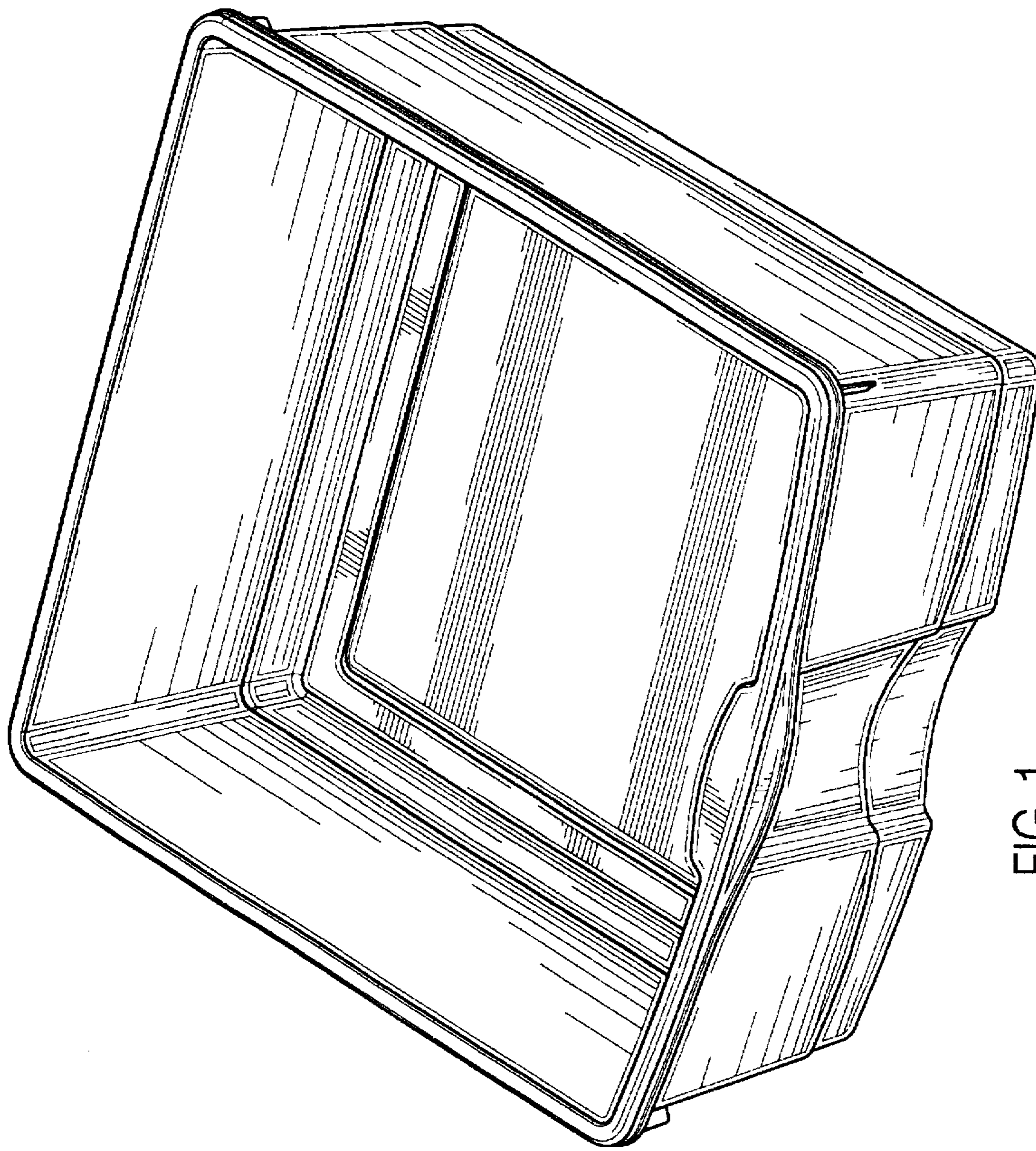


FIG. 1

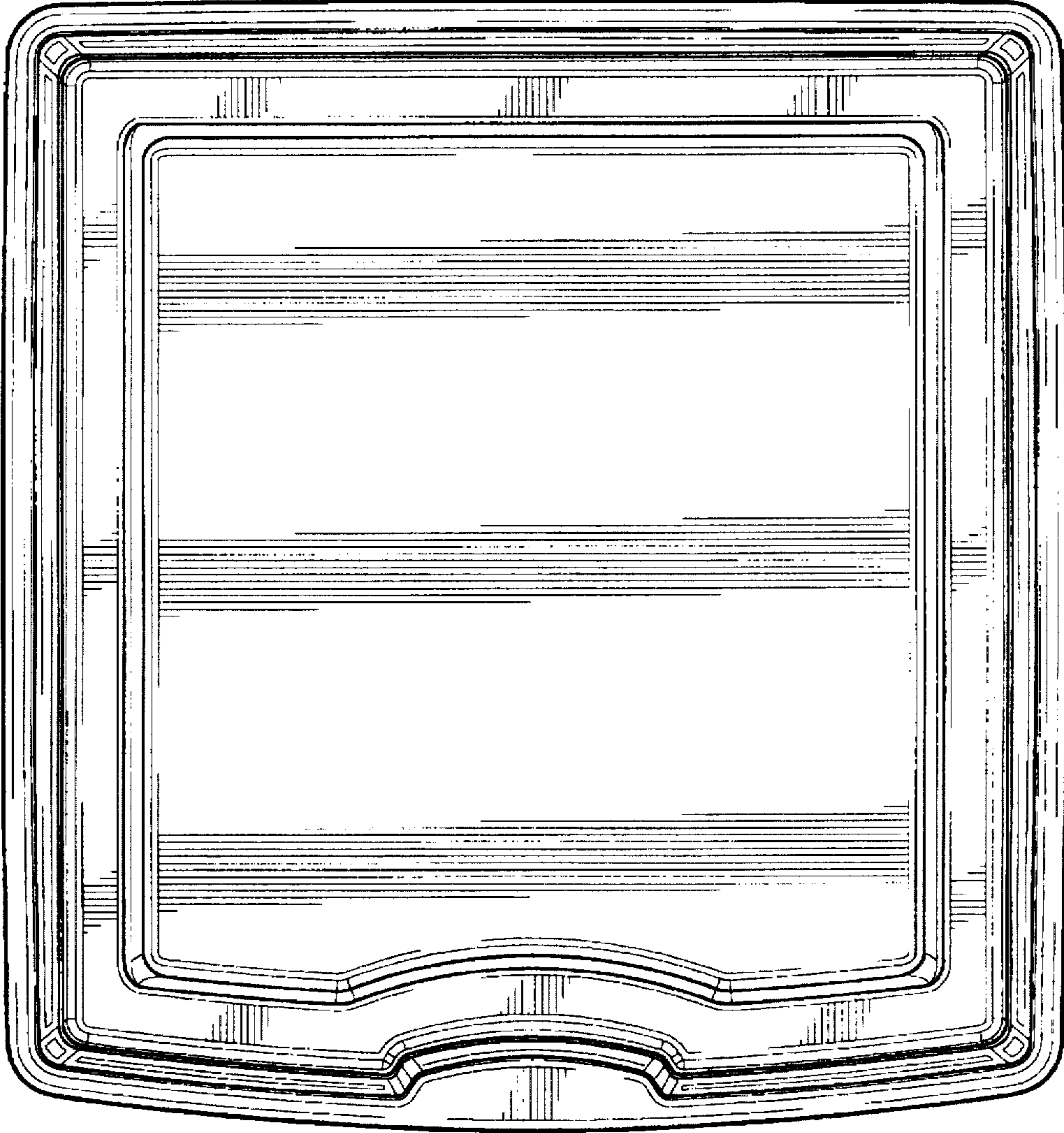


FIG. 2

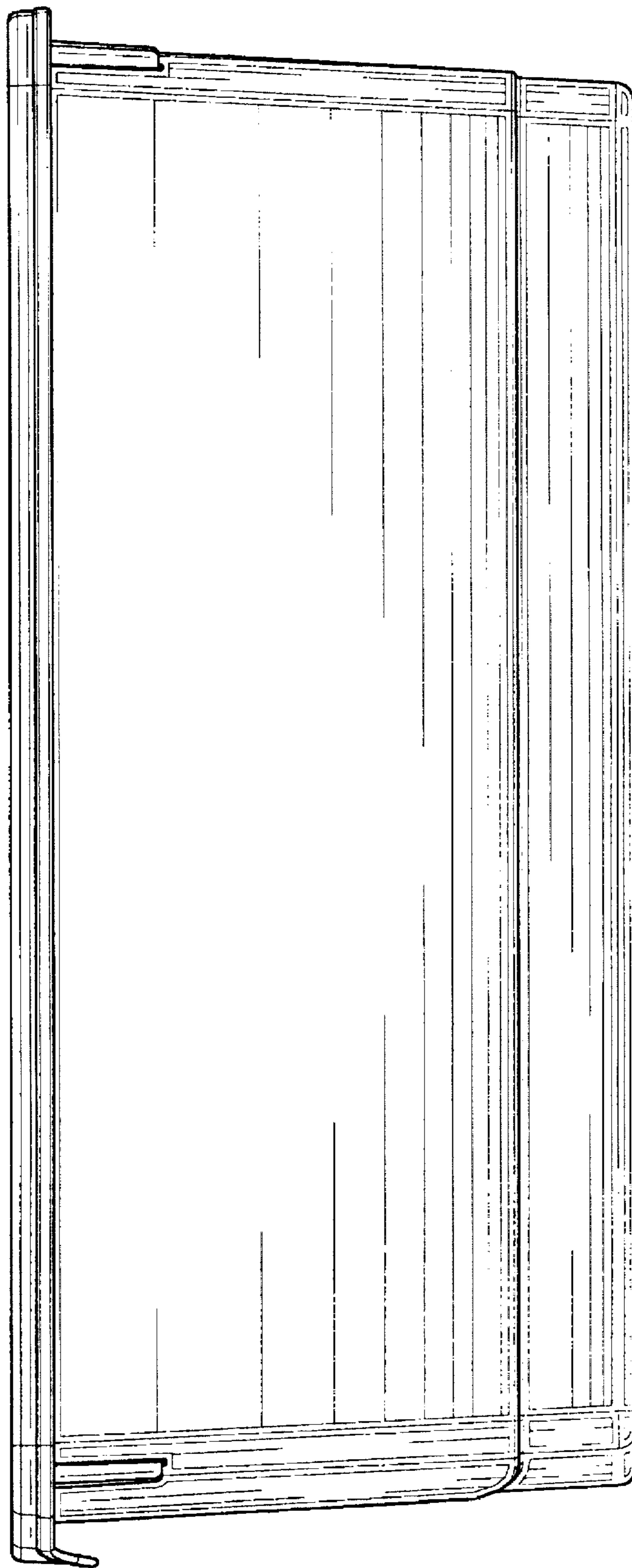


FIG. 3

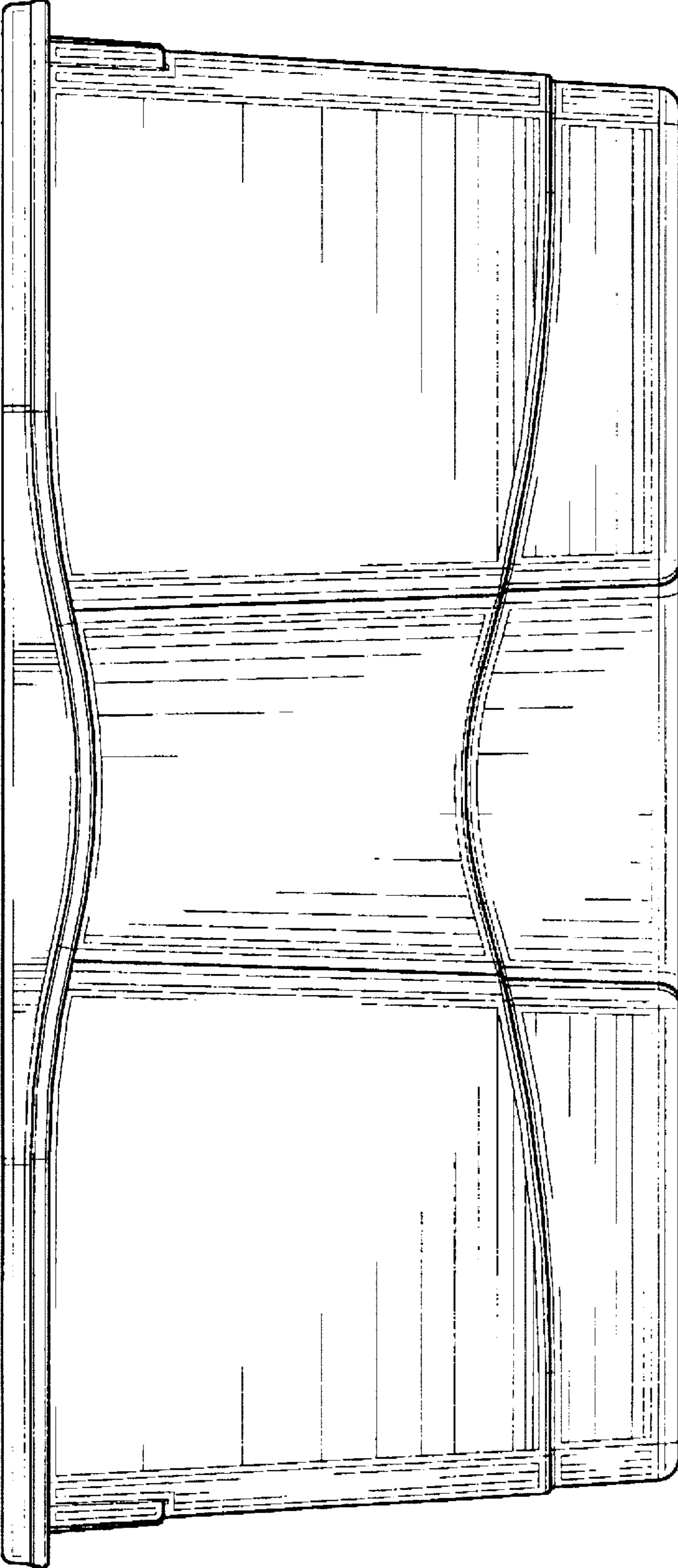


FIG. 4

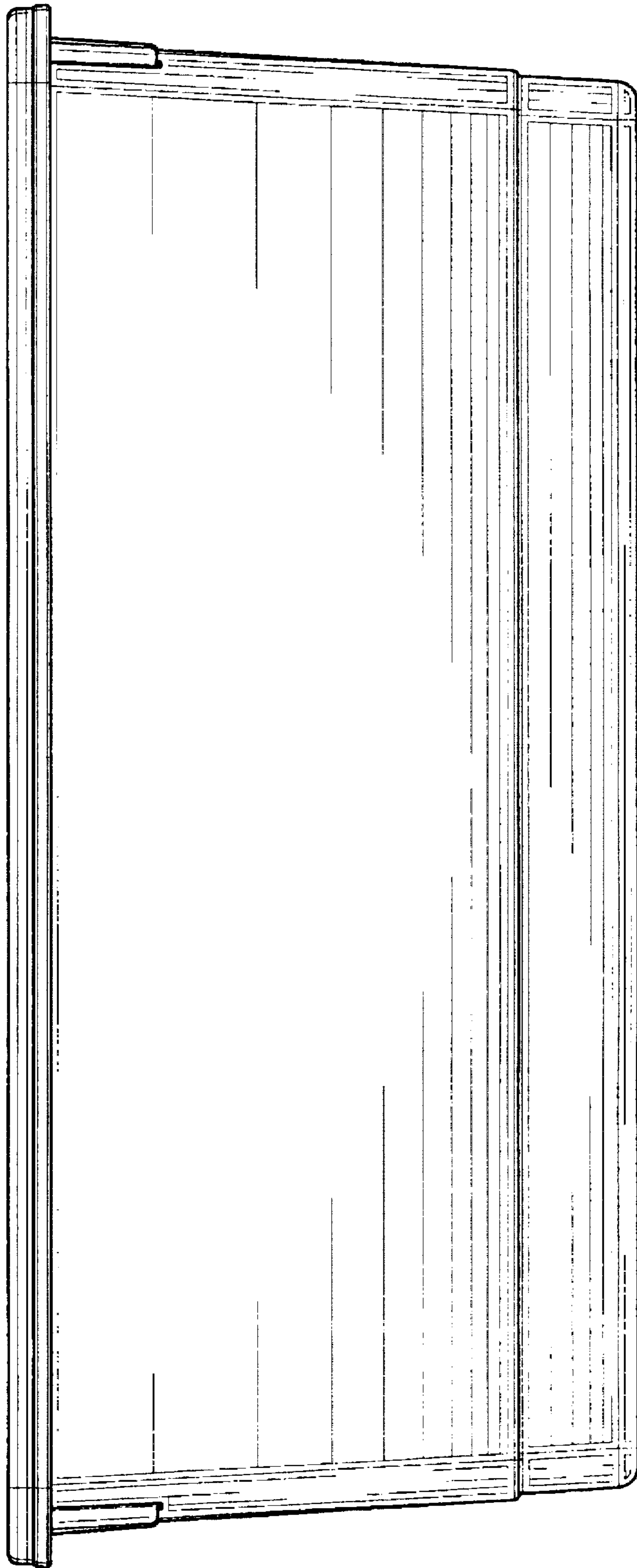


FIG. 5

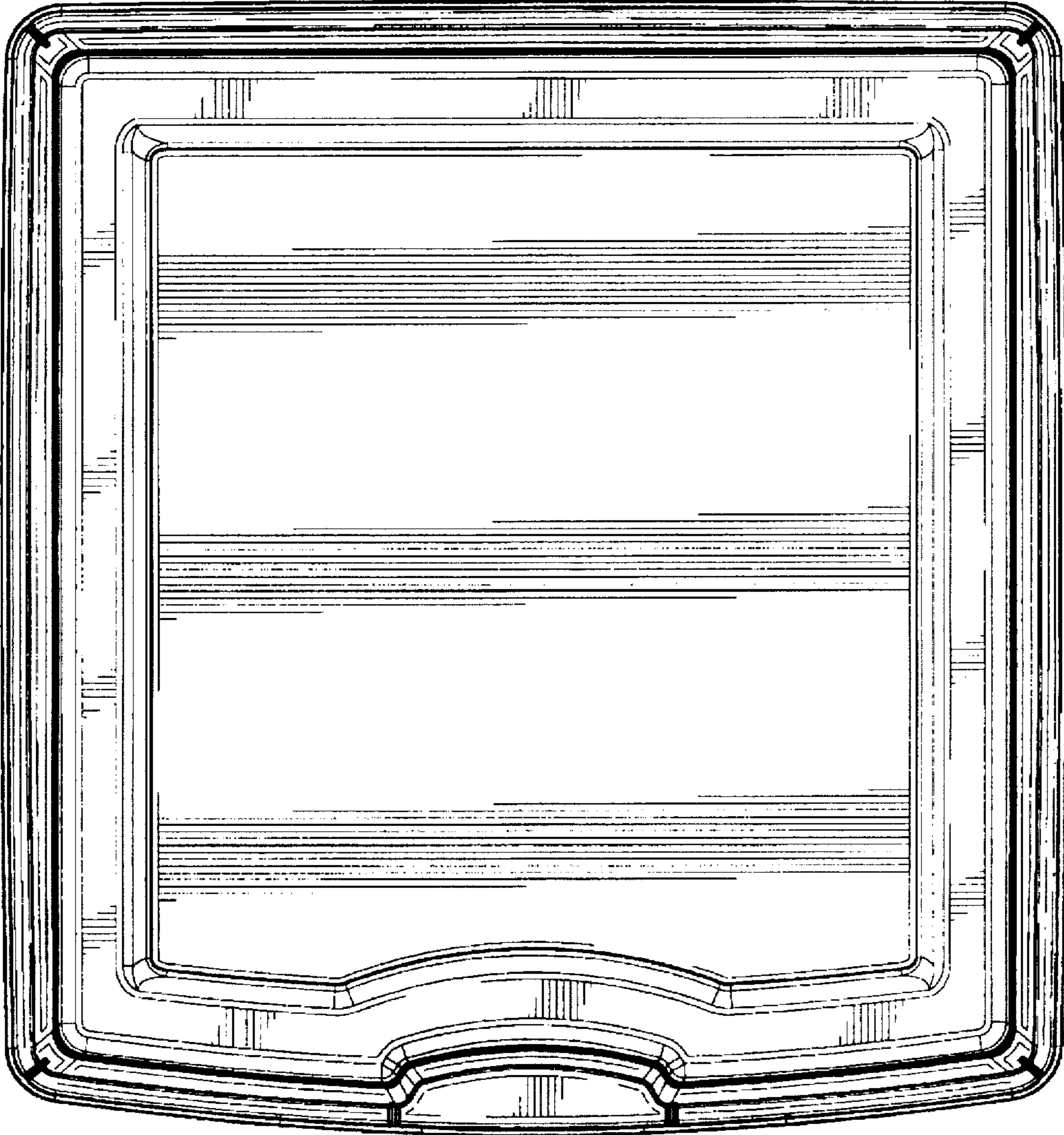


FIG. 6