

US00D386328S

United States Patent [19]
Good

[11] **Patent Number:** **Des. 386,328**
[45] **Date of Patent:** ****Nov. 18, 1997**

[54] **TABLE**

[76] **Inventor:** **Glendon Robert Good**, 2000 Second St., Berkeley, Calif. 94710

[**] **Term:** **14 Years**

[21] **Appl. No.:** **48,024**

[22] **Filed:** **Dec. 18, 1995**

[51] **LOC (6) Cl.** **06-03**

[52] **U.S. Cl.** **D6/480; D6/487**

[58] **Field of Search** **D6/480-489, 495-499, D6/429; 108/153, 155, 156, 157, 161; 248/188, 188.1, 188.8**

[56] **References Cited**

U.S. PATENT DOCUMENTS

D. 142,211	8/1945	Glukes	D6/480 X
D. 288,880	3/1987	Favaretto et al.	D6/484
D. 306,109	2/1990	Borsani	D6/487
D. 345,476	3/1994	Burdick et al.	D6/495
D. 362,140	9/1995	Pedersen	D6/480

OTHER PUBLICATIONS

Domus Dec. 1987, table at left.

Interior Design Market, Sep. 1990, p.27, table at top right.

Primary Examiner—Janice E. Seeger

[57] **CLAIM**

The ornamental design for a table, as shown and described.

DESCRIPTION

FIG. 1 is a perspective view of a table showing my new design;

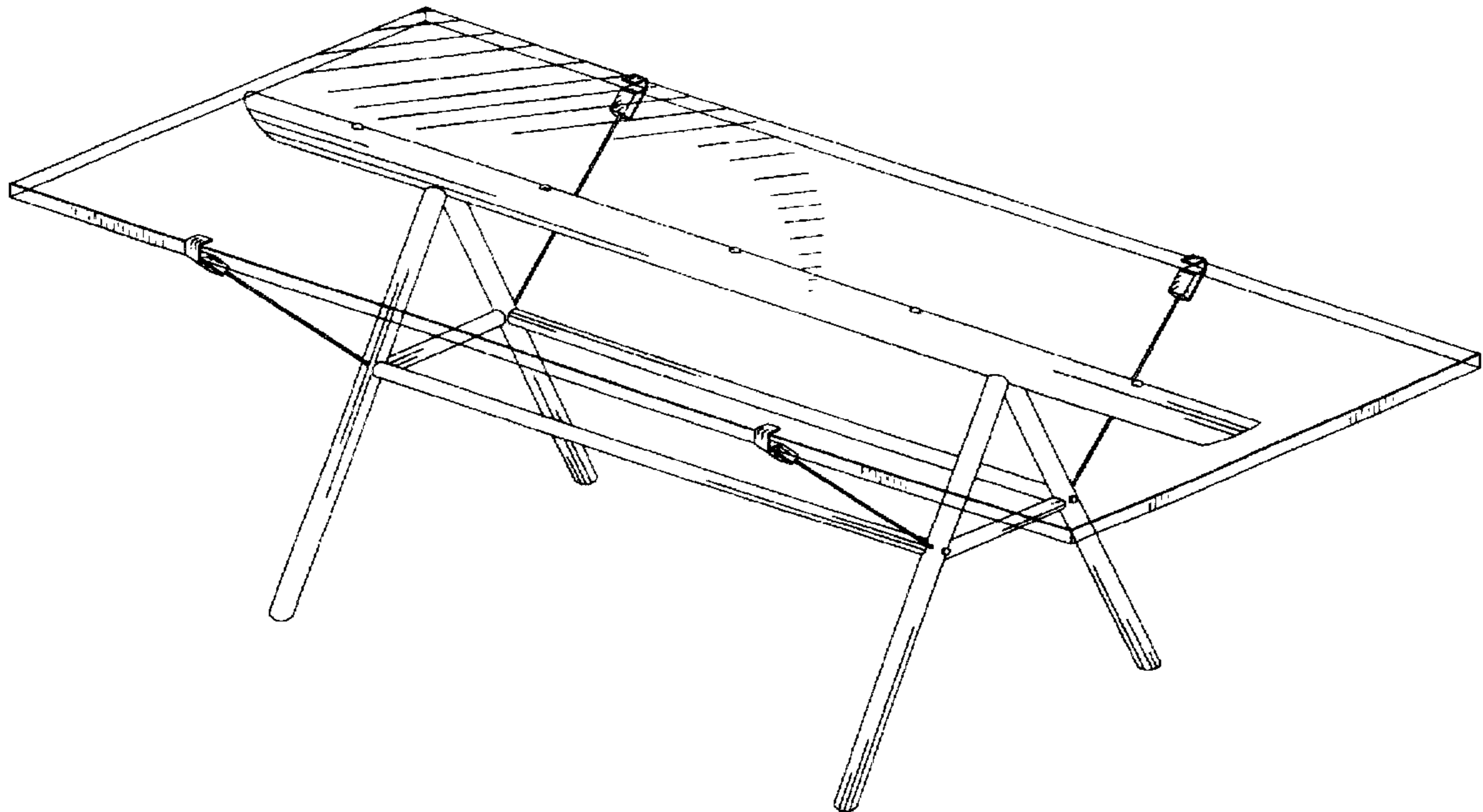
FIG. 2 is a side elevational view with the opposite side view being a mirror image thereof;

FIG. 3 is a bottom plan view thereof;

FIG. 4 is a top plan view thereof; and,

FIG. 5 is an end elevation view with the opposite end view being a mirror image thereof.

1 Claim, 3 Drawing Sheets



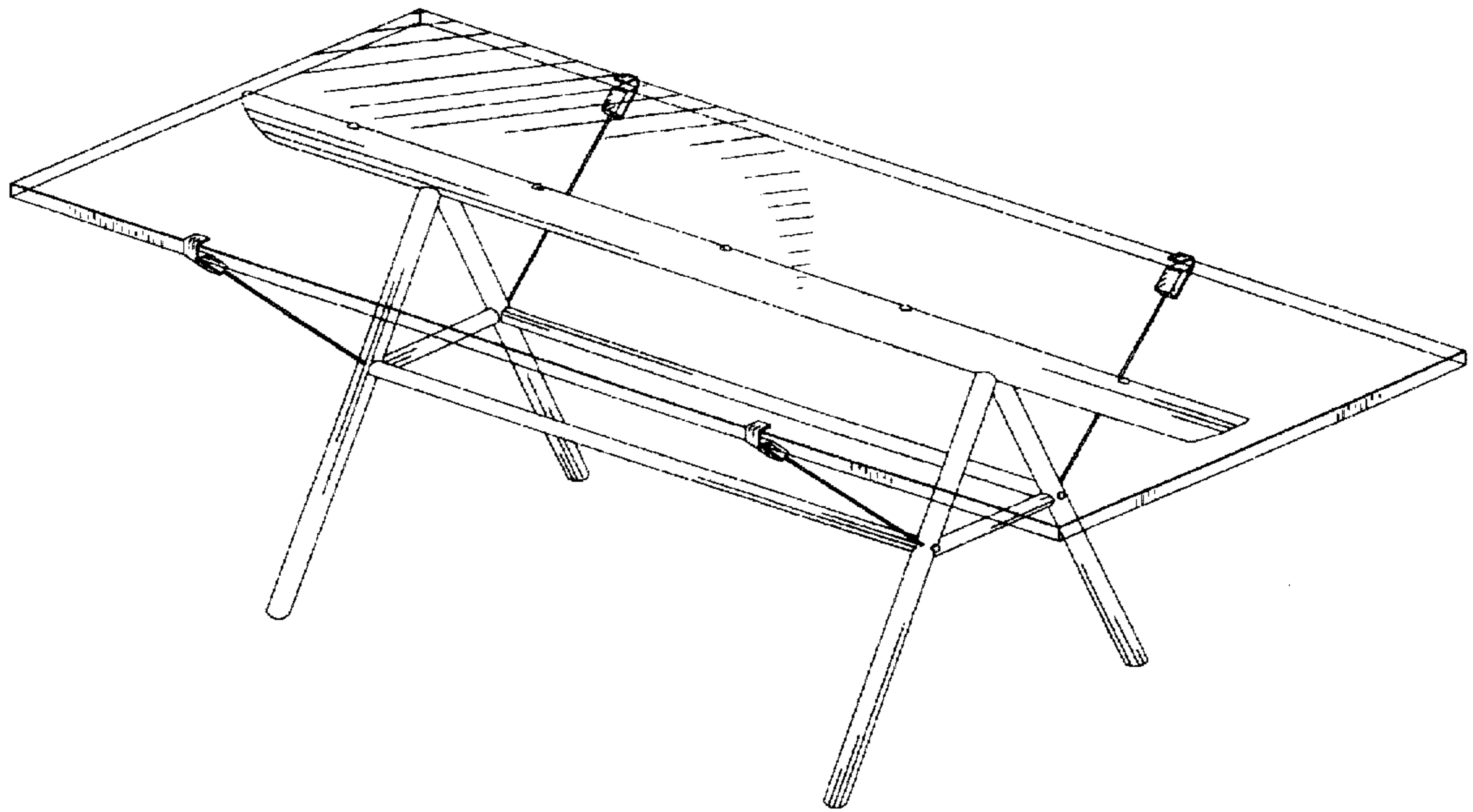


Fig. 1

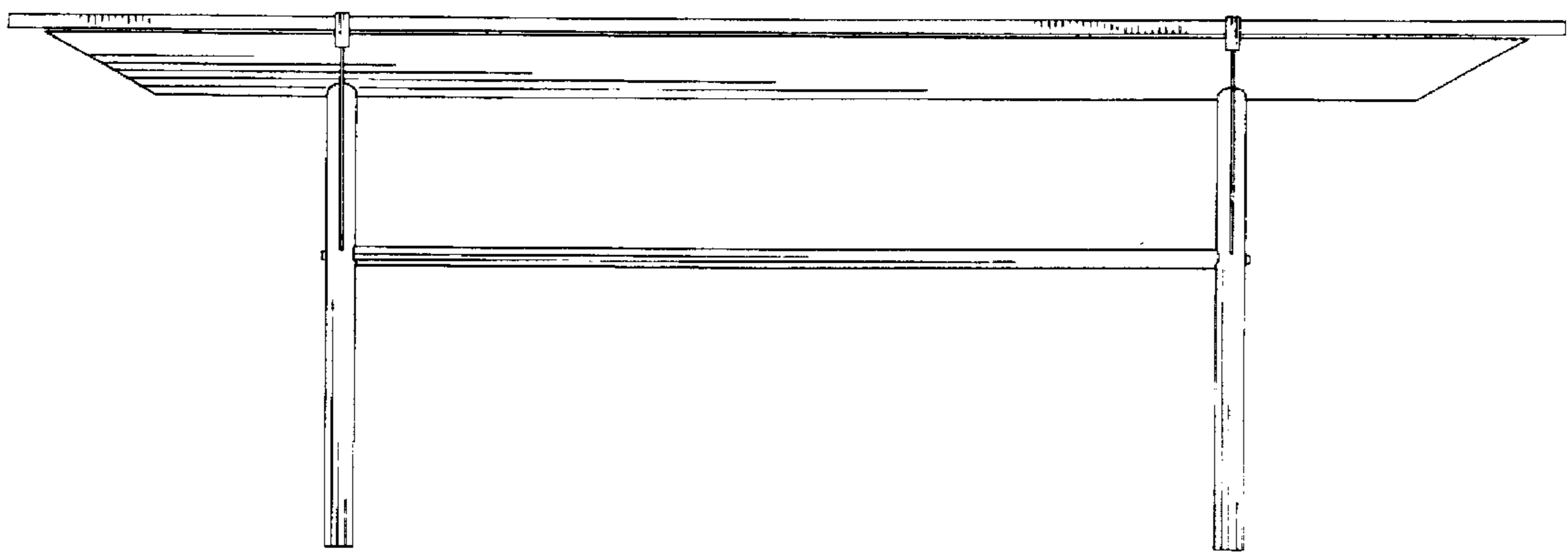


Fig. 2

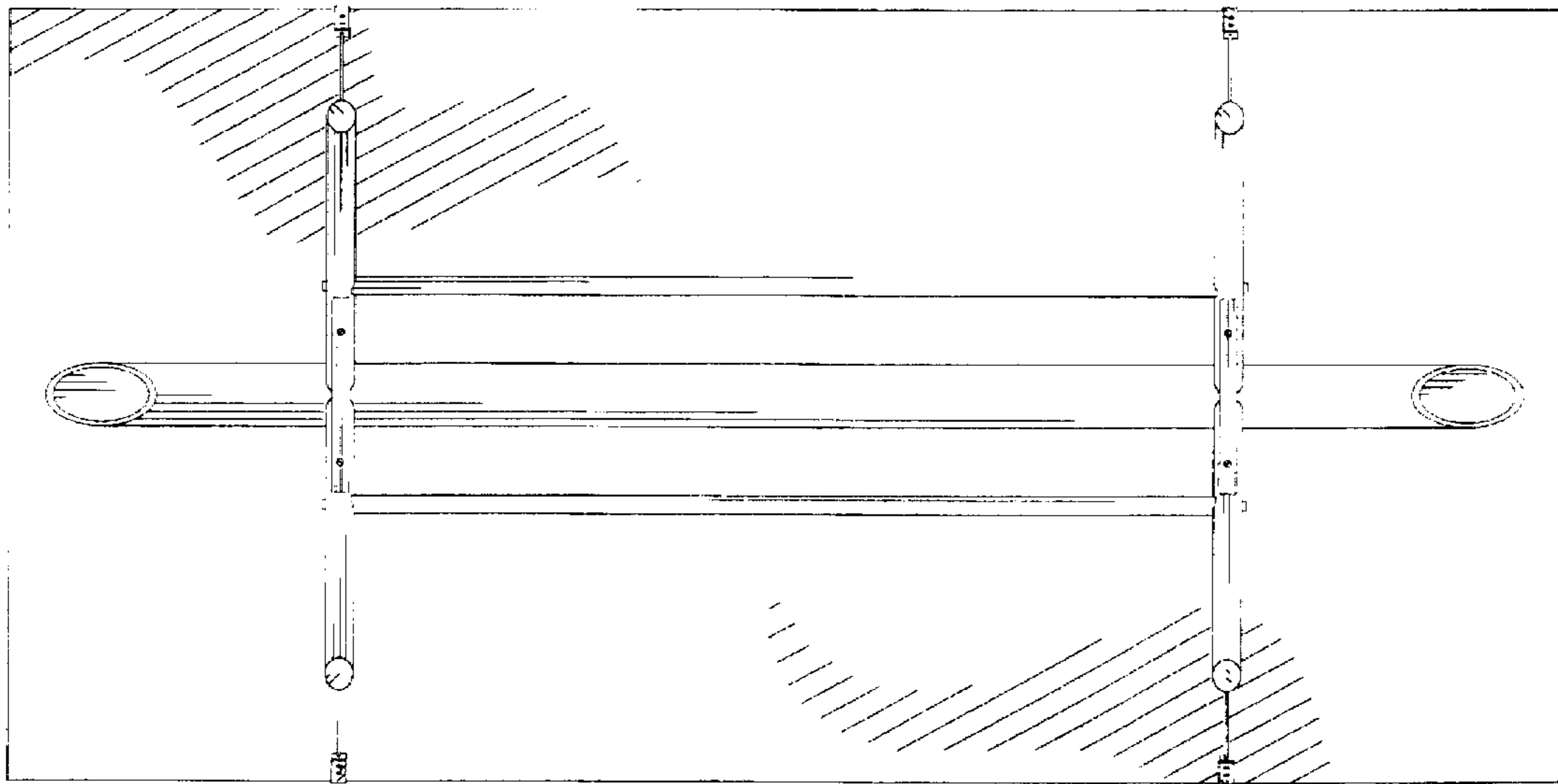


Fig. 3

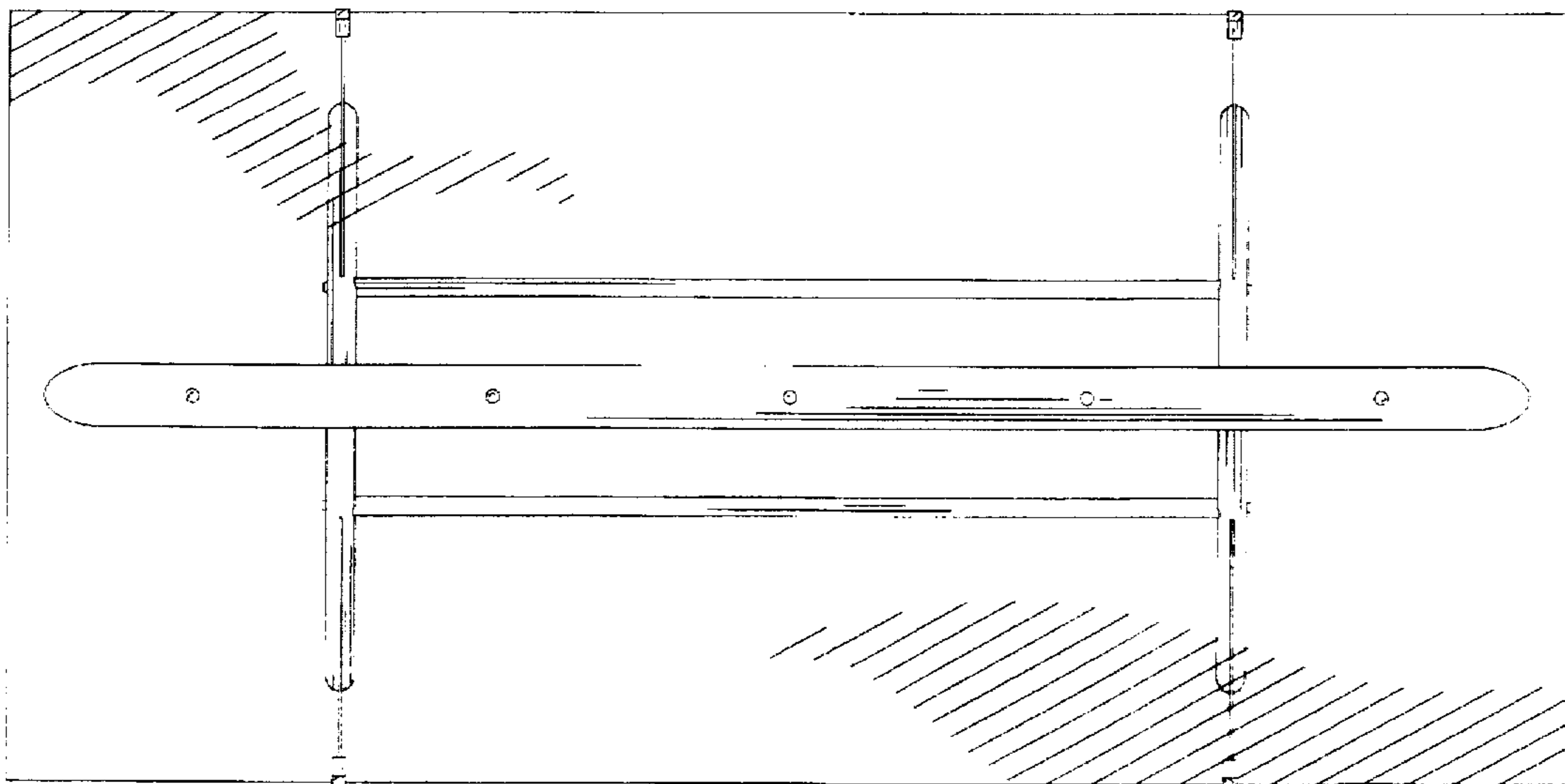


Fig. 4

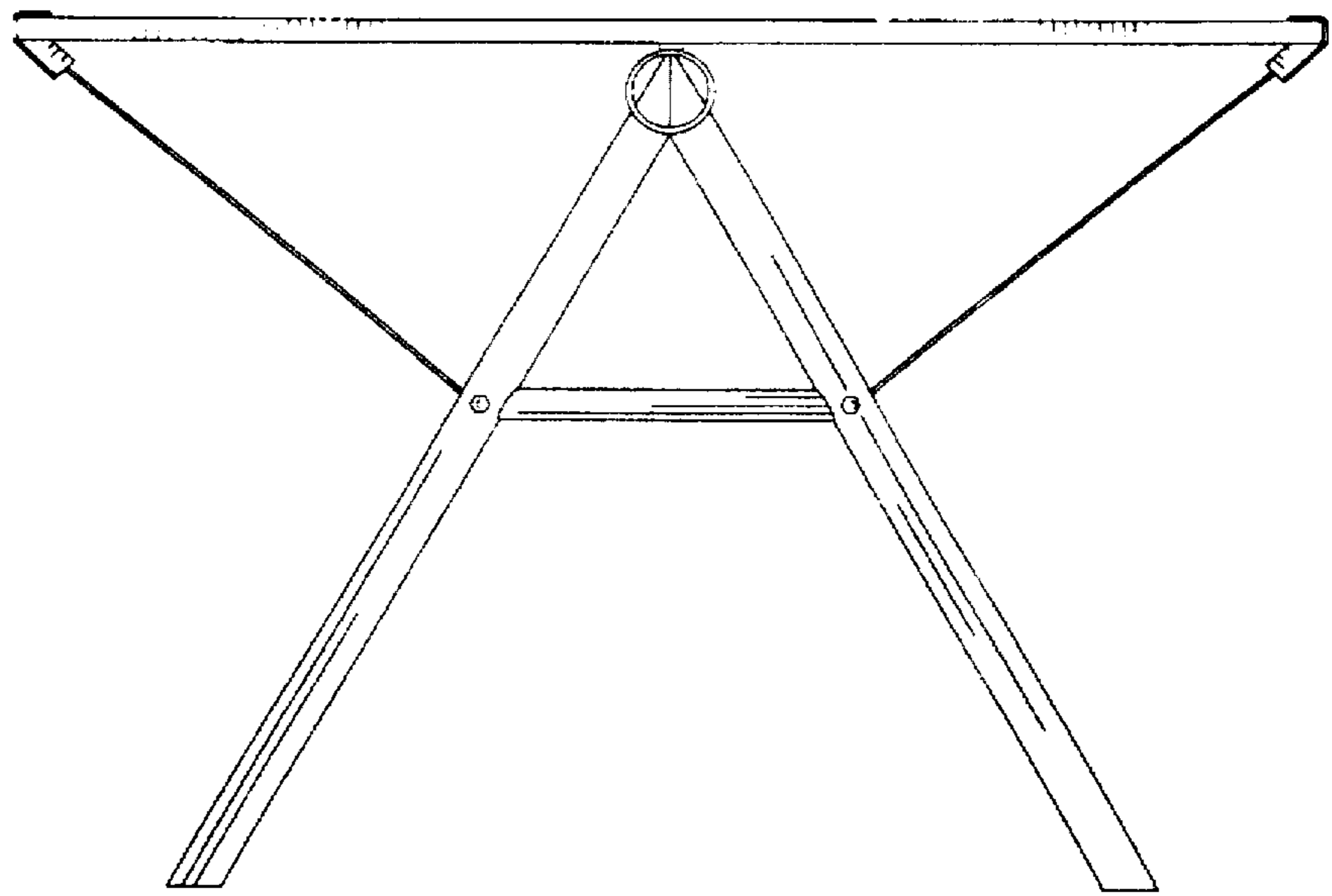


Fig. 5