



US00D386327S

United States Patent [19]
Rotchin

[11] **Patent Number: Des. 386,327**
[45] **Date of Patent: **Nov. 18, 1997**

[54] **DISPLAY KIOSK**

[75] **Inventor: Dean Rotchin, Palm Beach, Fla.**

[73] **Assignee: ASOTV Partners Limited, Palm Beach, Fla.**

[**] **Term: 14 Years**

[21] **Appl. No.: 55,987**

[22] **Filed: Jun. 19, 1996**

[51] **LOC (6) Cl. 20-02**

[52] **U.S. Cl. D6/470**

[58] **Field of Search D6/470, 436, 455;
D25/1, 16, 32, 56; 312/140.1, 140.2, 114,
117**

[56] **References Cited**

U.S. PATENT DOCUMENTS

- D. 227,448 6/1973 Rosenblatt D25/32 X
- D. 256,530 8/1980 Johnson D6/455
- D. 260,709 9/1981 Perlmutter D6/470
- D. 262,926 2/1982 Woolford D6/470 X
- D. 373,266 9/1996 Pellenberg et al. D6/470

Primary Examiner—James Gandy

*Assistant Examiner—Linda Brooks
Attorney, Agent, or Firm—Quarles & Brady*

[57] **CLAIM**

The ornamental design for a display kiosk, as shown and described.

DESCRIPTION

FIG. 1 is a perspective view of the display kiosk showing my new design;

FIG. 2 is an elevational view of a front side of the display kiosk;

FIG. 3 is an elevational view of a rear side of the display kiosk showing my new design;

FIG. 4 is an elevational view of a left side of the display kiosk showing my new design;

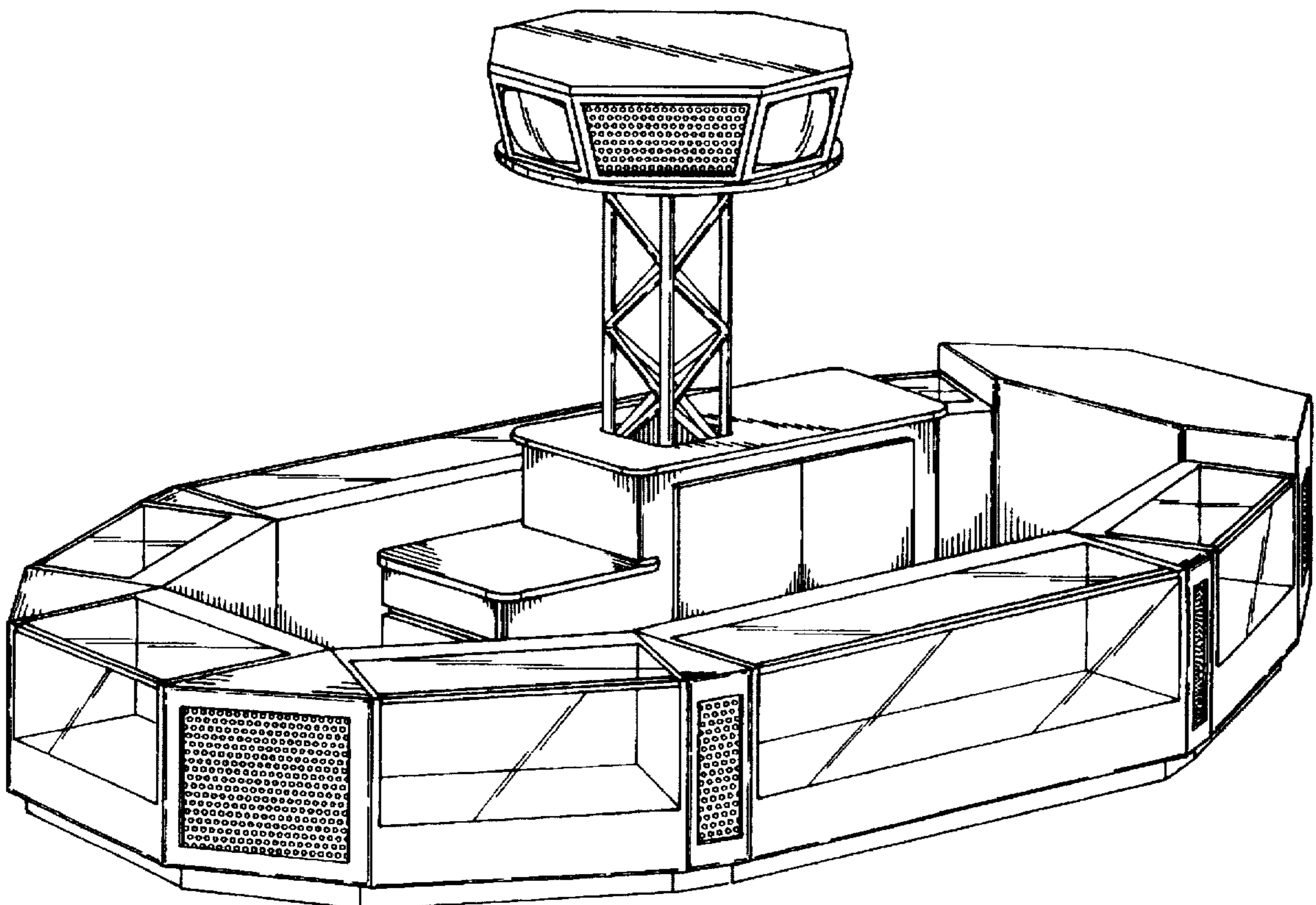
FIG. 5 is an elevational view of a right side of the display kiosk showing my new design;

FIG. 6 is a top plan view of the design for the display kiosk shown in FIG. 1; and,

FIG. 7 is a bottom plan view of the design for the display kiosk shown in FIG. 1.

The rear surfaces of the display case unit are flat and unornamented.

1 Claim, 4 Drawing Sheets



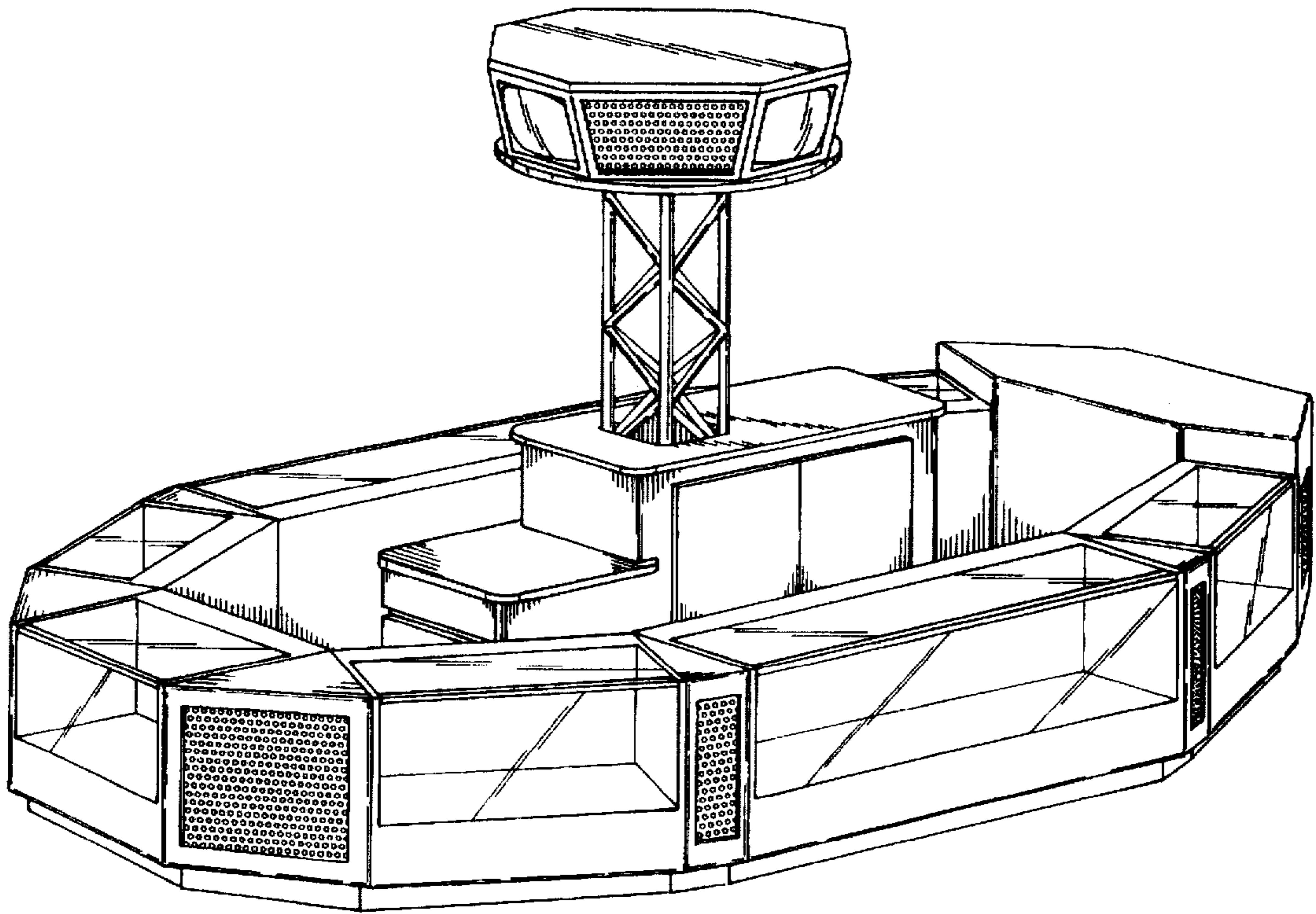


FIG. 1

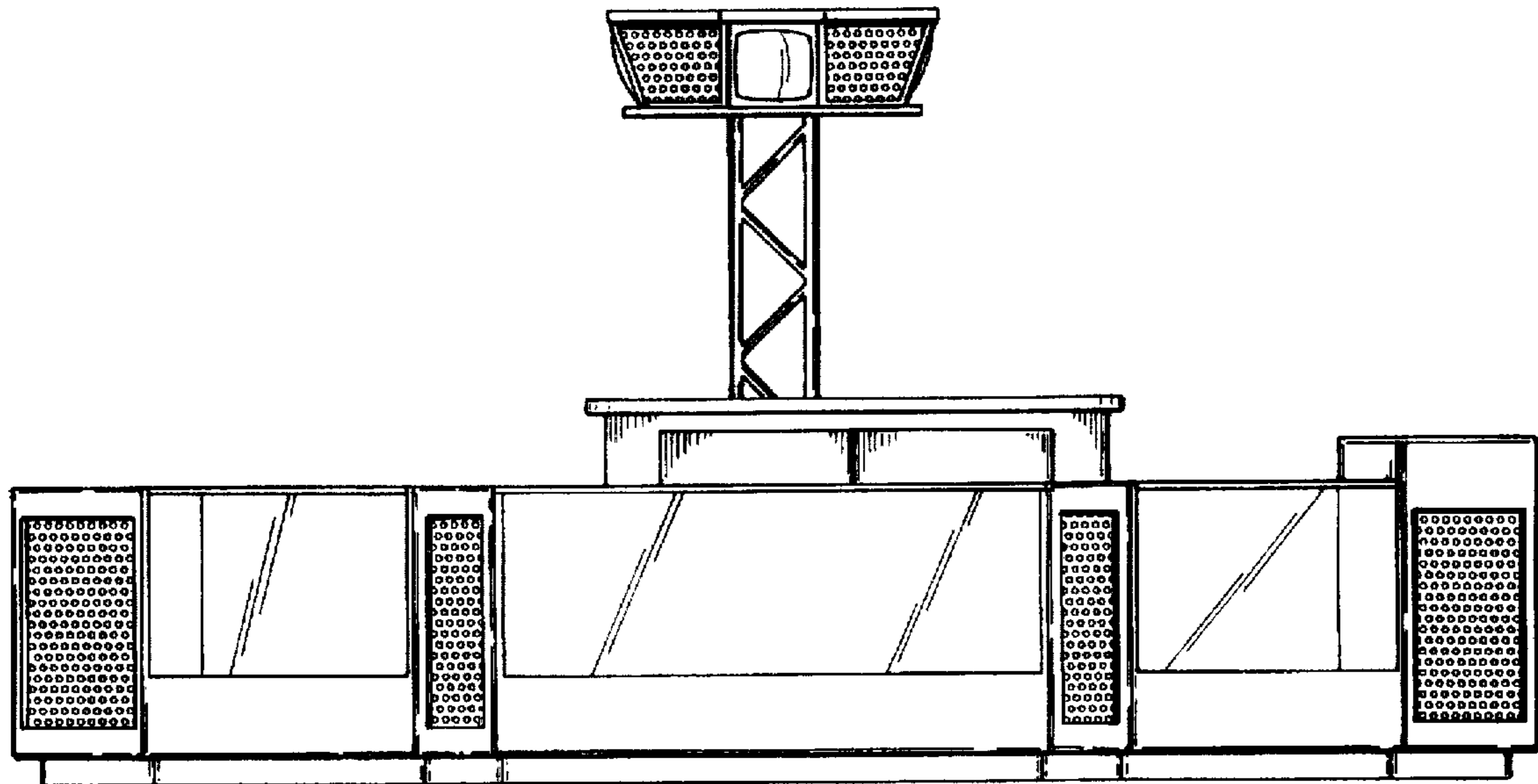


FIG. 2

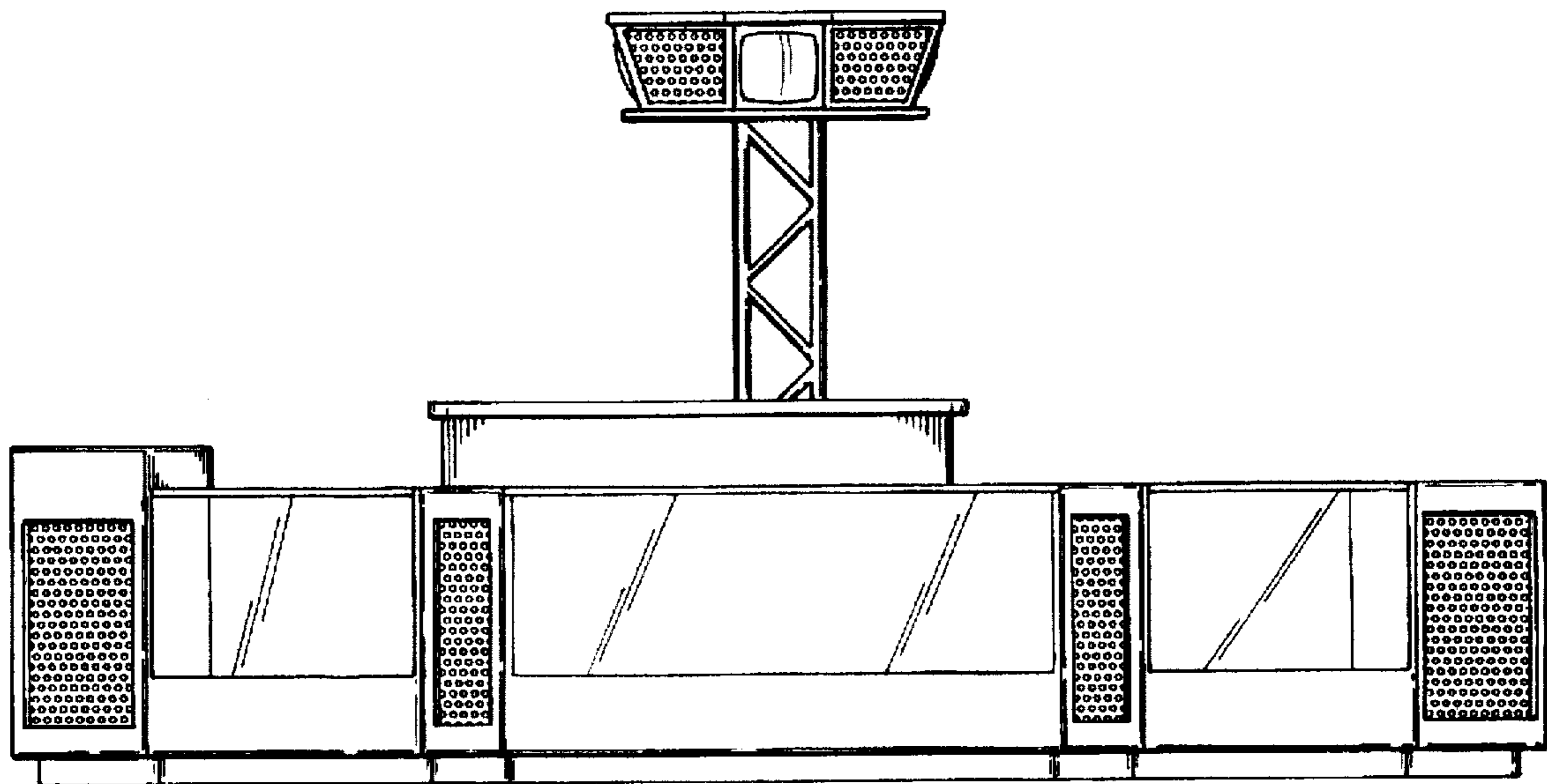


FIG. 3

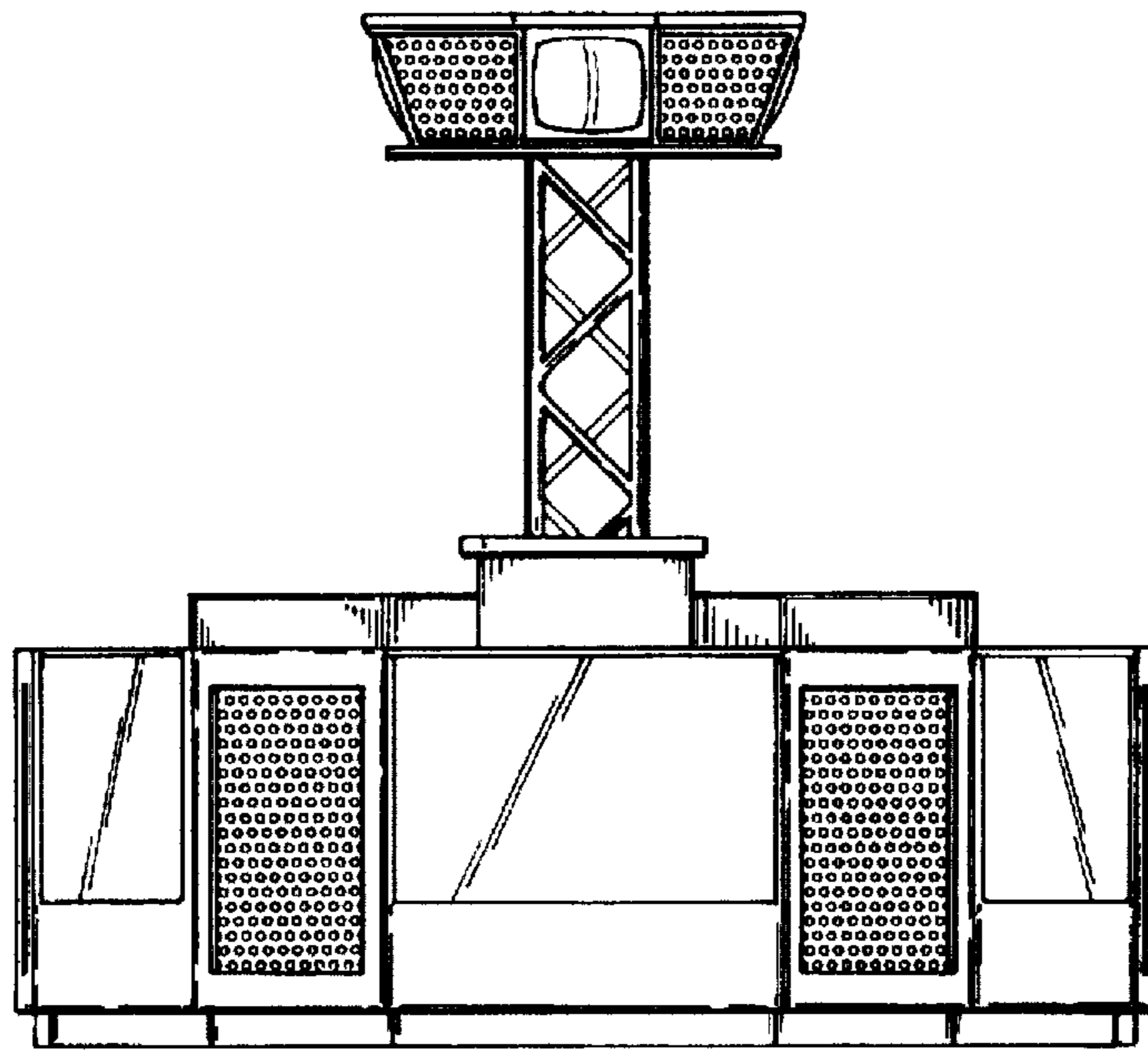


FIG. 4

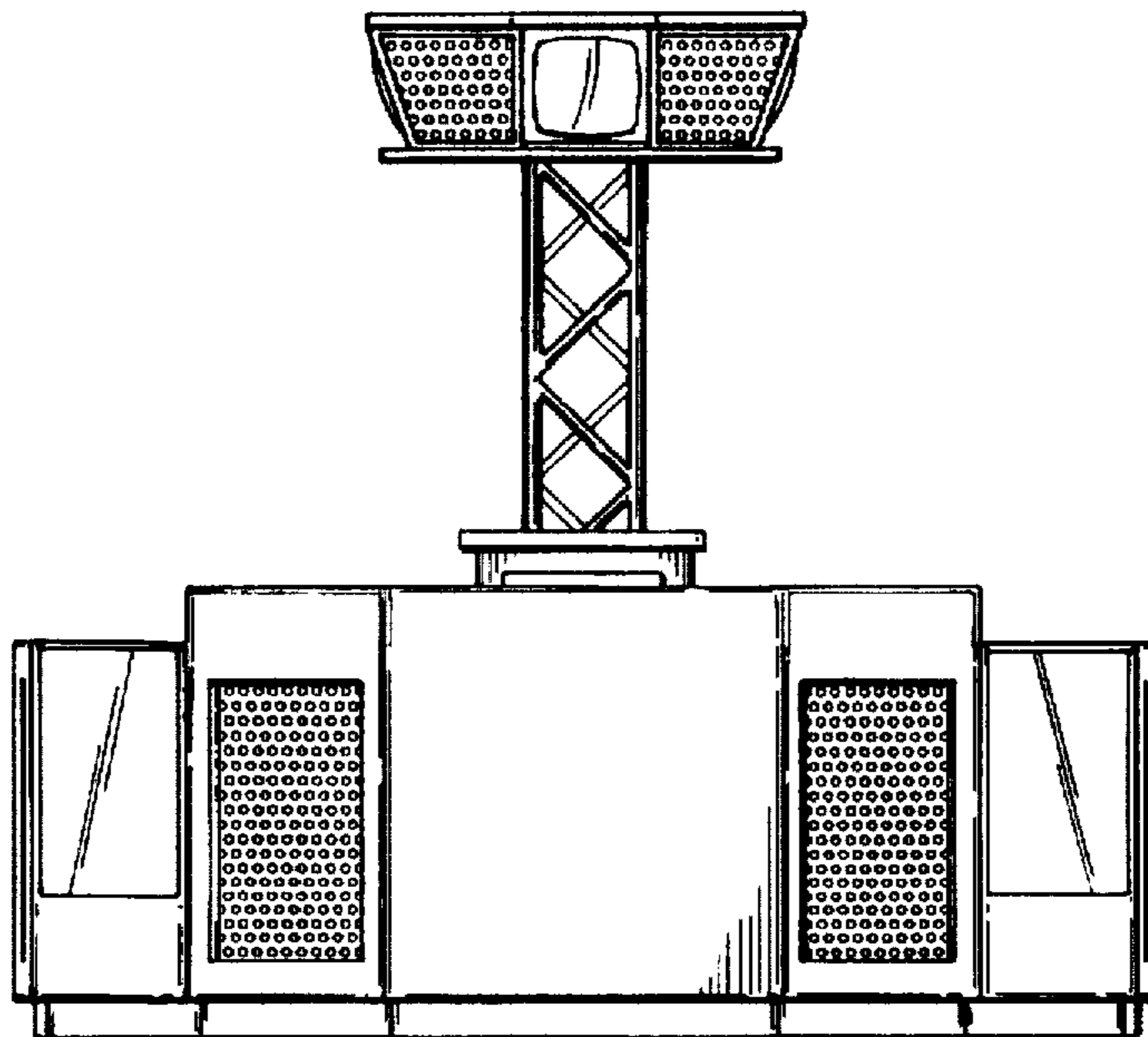


FIG. 5

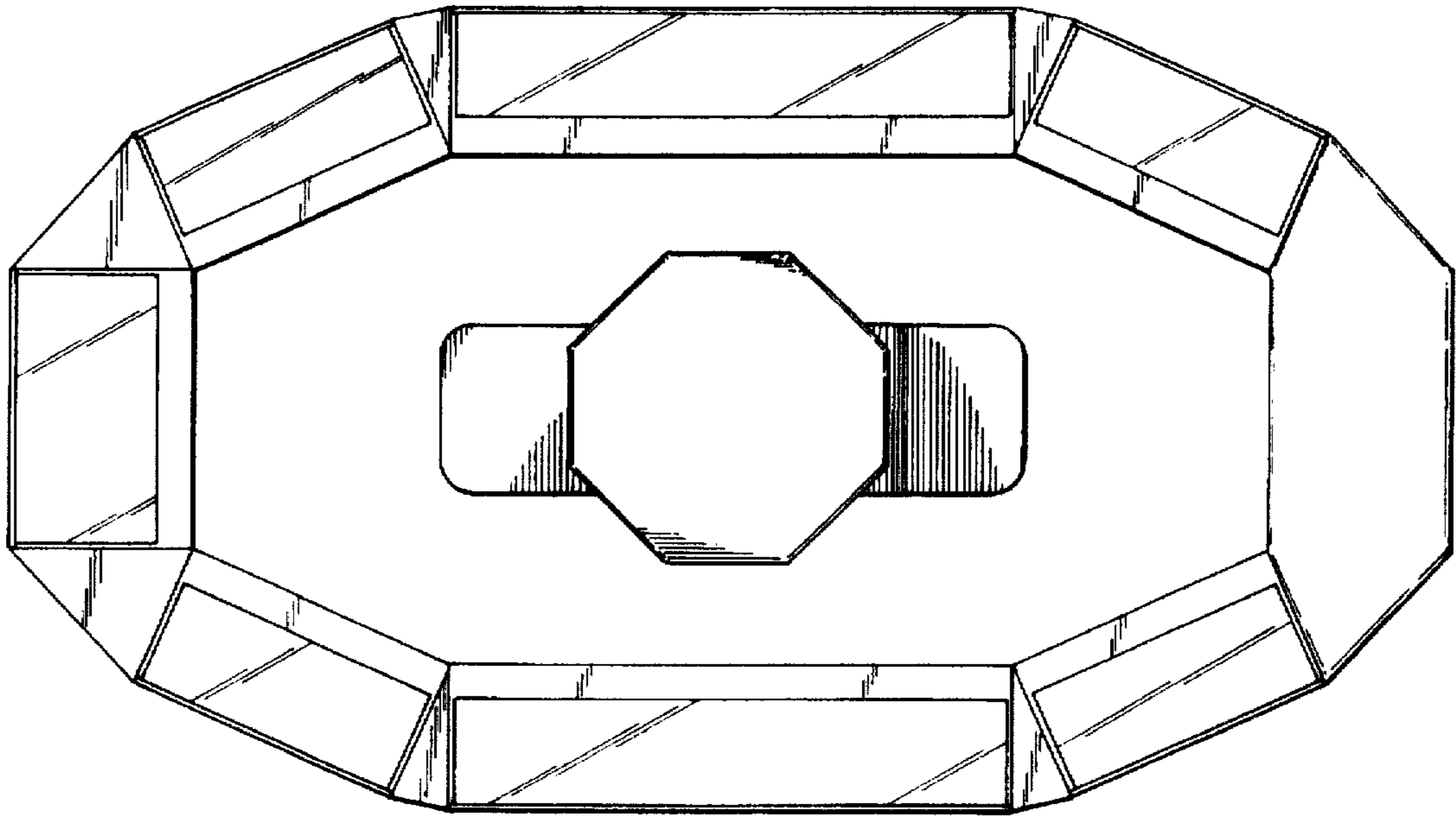


FIG. 6

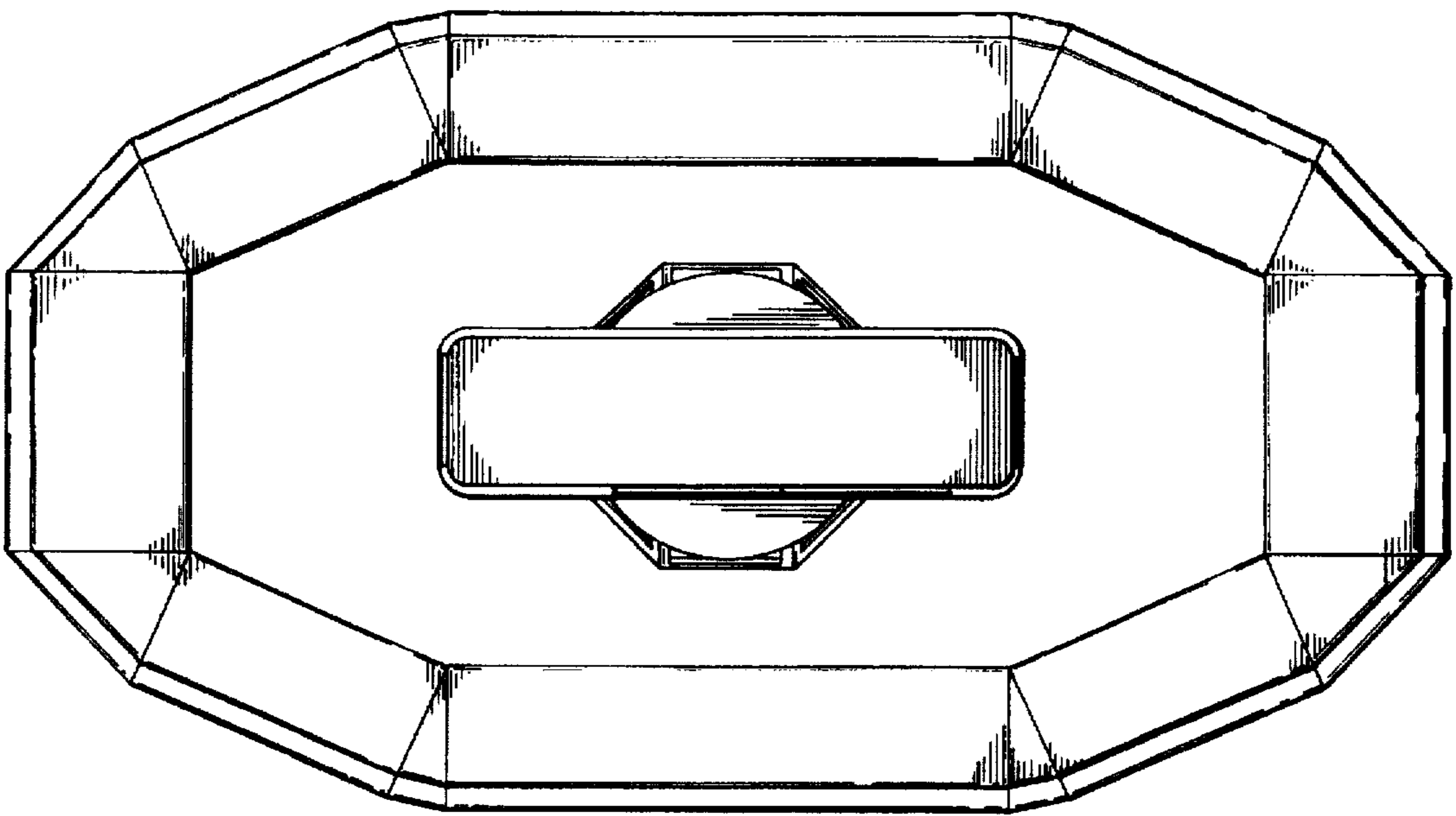


FIG. 7