

US00D386324S

United States Patent [19]
Degen

[11] **Patent Number: Des. 386,324**
[45] **Date of Patent: **Nov. 18, 1997**

[54] **BINGO SHEET HOLDER**
[76] **Inventor: Gunther Degen, 821 Five Point Rd., Virginia Beach, Va. 23454**
[**] **Term: 14 Years**
[21] **Appl. No.: 43,823**
[22] **Filed: Sep. 13, 1995**
[51] **LOC (6) Cl. 06-04**
[52] **U.S. Cl. D6/420; D6/419**
[58] **Field of Search D6/406, 311, 419, D6/420, 421, 310; D21/54, 57; D19/52; 273/309, 148 A; 248/371, 918, 460, 461, 441.1**

D. 352,530 11/1994 Gauvreau D21/54
D. 353,412 12/1994 Bull et al. D21/54
D. 354,636 1/1995 Cable D6/406
2,872,215 2/1959 Taylor 273/309
3,810,323 5/1974 Lowe 40/124
3,811,680 5/1974 Benesch 273/136 G
3,836,108 9/1974 Surette 248/452
3,895,806 7/1975 Burns 273/309
4,453,714 6/1984 Houser 273/148 A
4,468,032 8/1984 Stewart 273/148 A
4,555,084 11/1985 Anderson et al. 248/460
4,795,162 1/1989 Rhetts 273/309
4,948,139 8/1990 Heeszal 273/148 A
5,037,056 8/1991 Thompson 248/441.1
5,120,069 6/1992 Shaw 273/309

Primary Examiner—Carmen H. Vales-Lado
Attorney, Agent, or Firm—Donald L. Sandler; Nath & Associates

[56] **References Cited**

U.S. PATENT DOCUMENTS

D. 67,394 5/1925 Cornwell D6/419 X
D. 118,484 1/1940 Salomon .
D. 118,485 1/1940 Salomon .
262,248 8/1882 Salisbury .
D. 268,852 5/1983 Rasmussen D21/57
D. 276,732 12/1984 Marquez D19/52
D. 288,097 2/1987 Harter et al. D6/406 X
D. 290,617 6/1987 Griffin D19/52
D. 315,366 3/1991 Greenspahn D19/52
D. 333,160 2/1993 Collins D21/54 X
D. 340,150 10/1993 Tanaka D6/419

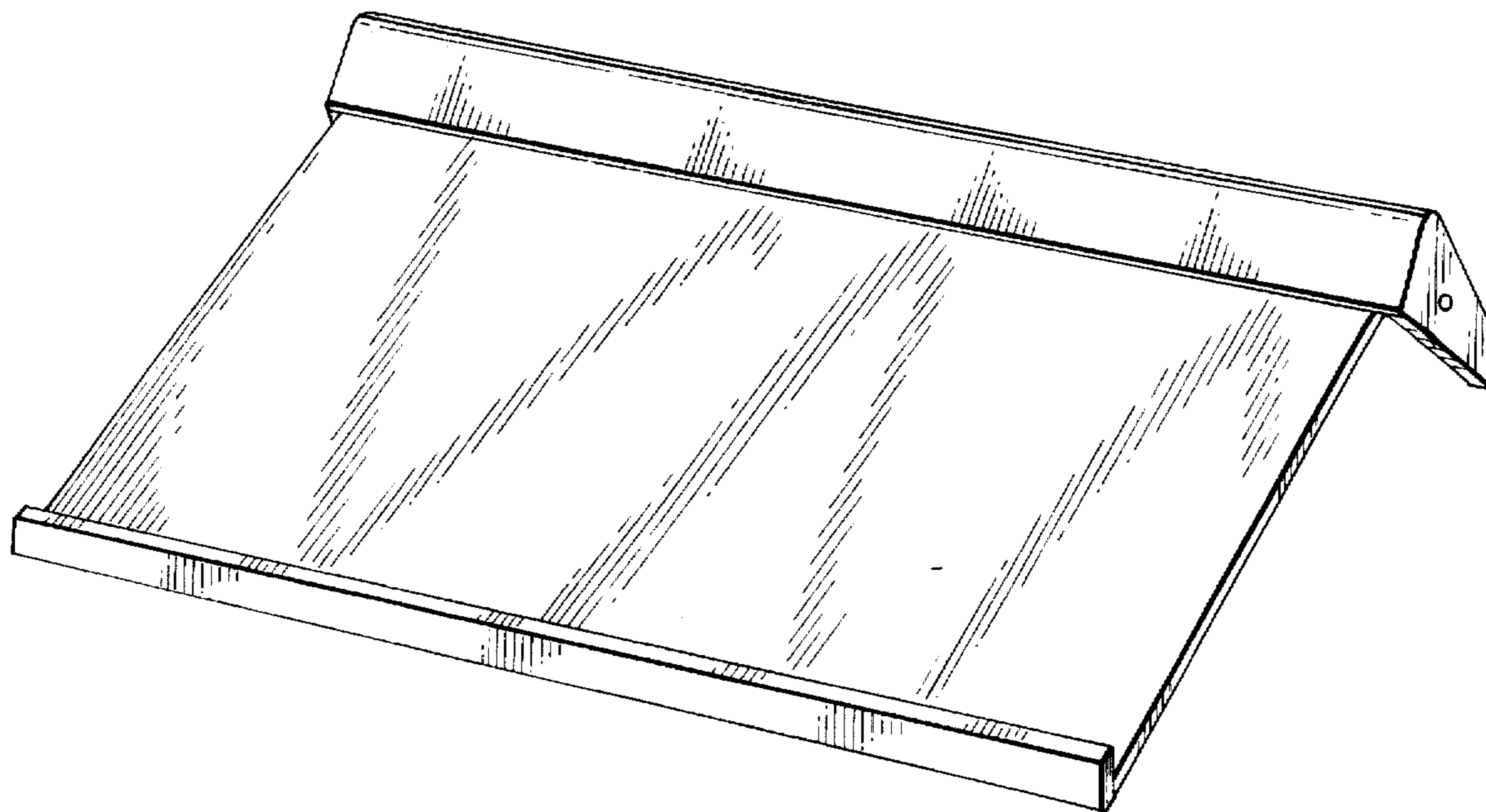
[57] **CLAIM**

A design for a bingo sheet holder, as shown and described.

DESCRIPTION

FIG. 1 is a top perspective view of a bingo sheet holder showing my new design;
FIG. 2 is a right side elevational view, the left side being a mirror image thereof;
FIG. 3 is a rear elevational view thereof; and,
FIG. 4 is a bottom plan view thereof.

1 Claim, 3 Drawing Sheets



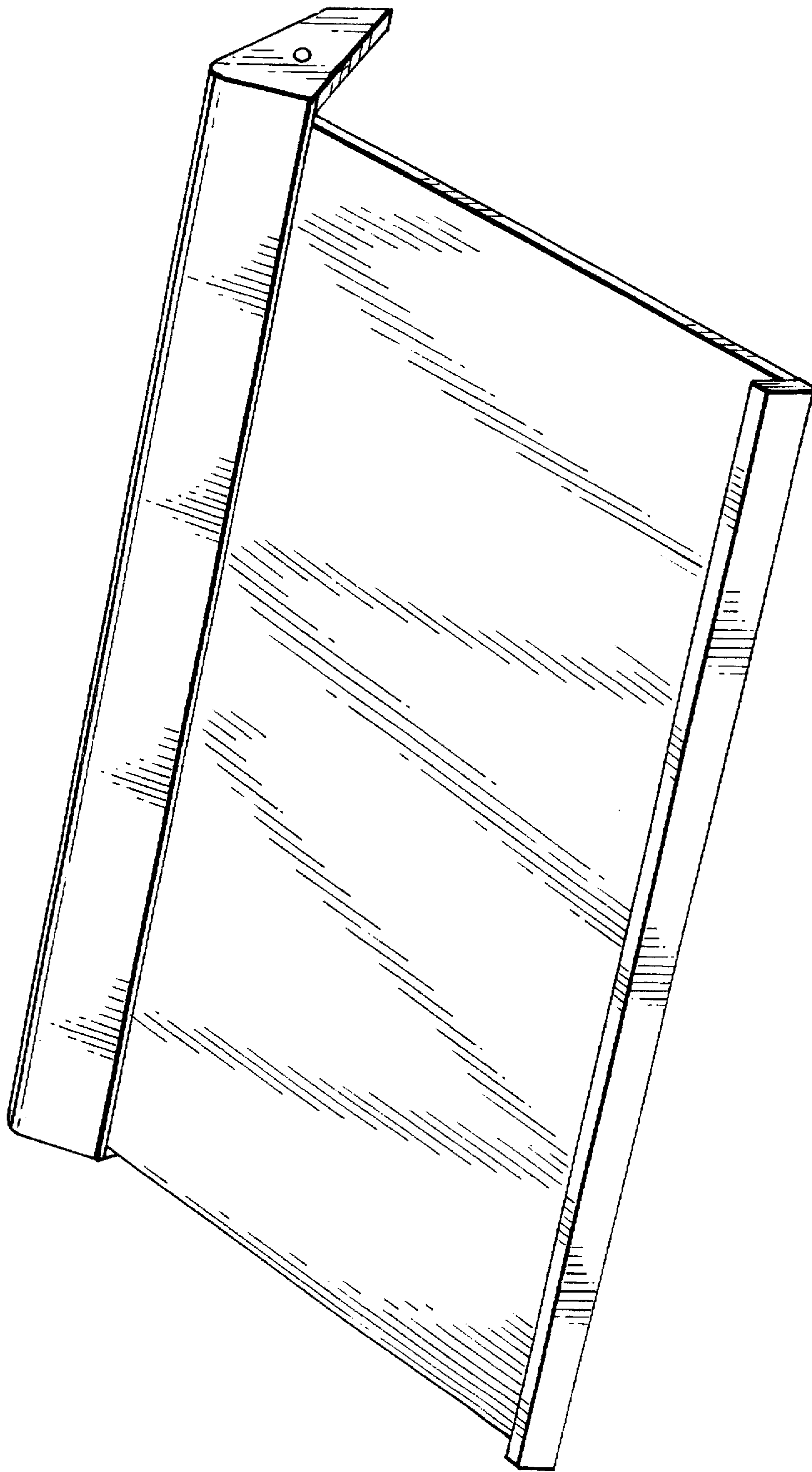


FIG. 1

FIG. 2

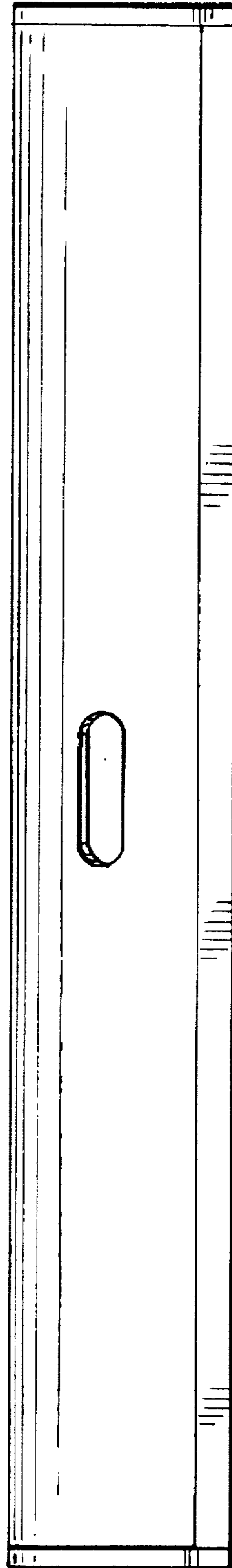
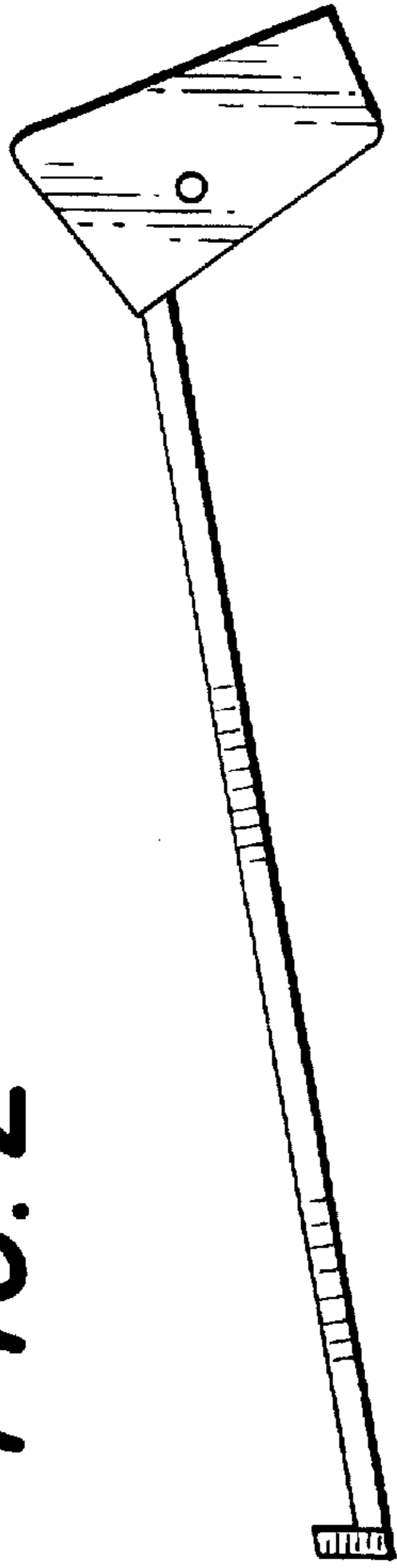


FIG. 3

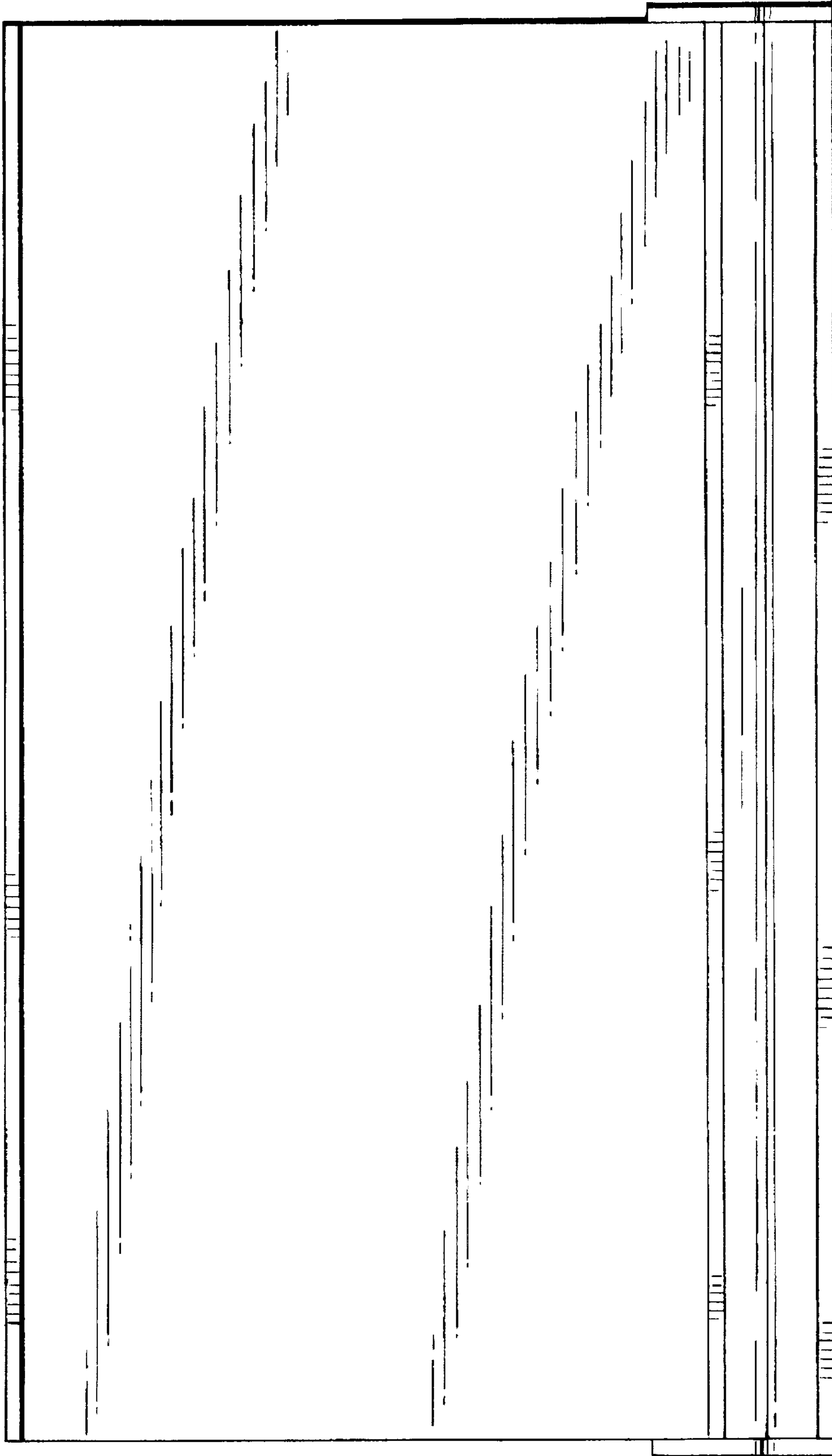


FIG. 4