

US00D386316S

United States Patent [19]

Fischer et al.

[11] Patent Number: Des. 386,316

[45] Date of Patent: **Nov. 18, 1997

[54] BRUSH HANDLE

[75] Inventors: Roger Fischer, Lancaster; Peter F. Lynch; Robert L. Naas, both of Skaneateles, all of N.Y.

[73] Assignee: Shur-Line, Inc., Lancaster, N.Y.

[**] Term: 14 Years

[21] Appl. No.: 49,742

[22] Filed: Jan. 30, 1996

[51] LOC (6) Cl. 04-04

[52] U.S. Cl. D4/138

[58] Field of Search D4/104, 132, 135, D4/138; 15/143.1, 159.1, 168, 191.1, 192, 193, 209.1, 244.1

[56] References Cited

U.S. PATENT DOCUMENTS

| | | | | |
|------------|---------|-------------|-------|----------|
| D. 4,718 | 3/1871 | Whiting | | D4/135 |
| D. 305,386 | 1/1990 | Rams et al. | | D4/104 |
| D. 345,256 | 3/1994 | Khin | | D4/104 |
| 3,058,139 | 10/1962 | Dryden | | 15/244.1 |
| 3,134,124 | 5/1964 | Horn | | 15/244.1 |
| 4,155,139 | 5/1979 | Corcoran | | 15/244.1 |
| 5,435,037 | 7/1995 | Ledingham | | 15/168 |

Primary Examiner—Alan P. Douglas
Assistant Examiner—Lavone D. Tabor
Attorney, Agent, or Firm—Phillips, Lytle, Hitchcock, Blaine & Huber

[57] CLAIM

We claim the ornamental design for a brush handle, as shown and described.

DESCRIPTION

FIG. 1 is a top plan view of a first embodiment of the claimed brush handle;

FIG. 2 is a left side elevation of a first embodiment of the claimed brush handle. The right side elevation is a mirror-image of FIG. 2;

FIG. 3 is a bottom plan view of a first embodiment of the claimed brush handle;

FIG. 4 is a top end elevation of a first embodiment of the claimed brush handle;

FIG. 5 is a bottom end elevation of a first embodiment of the claimed brush handle;

FIG. 6 is a top plan view of a second embodiment of the claimed brush handle;

FIG. 7 is a left side elevation of a second embodiment of the claimed brush handle. The right side elevation is a mirror-image of FIG. 7;

FIG. 8 is a bottom plan view of a second embodiment of the claimed brush handle;

FIG. 9 is a top end elevation of a second embodiment of the claimed brush handle;

FIG. 10 is a bottom end elevation of a second embodiment of the claimed brush handle;

FIG. 11 is a top plan view of a third embodiment of the claimed brush handle;

FIG. 12 is a left side elevation of a third embodiment of the claimed brush handle. The right side elevation is a mirror-image of FIG. 12;

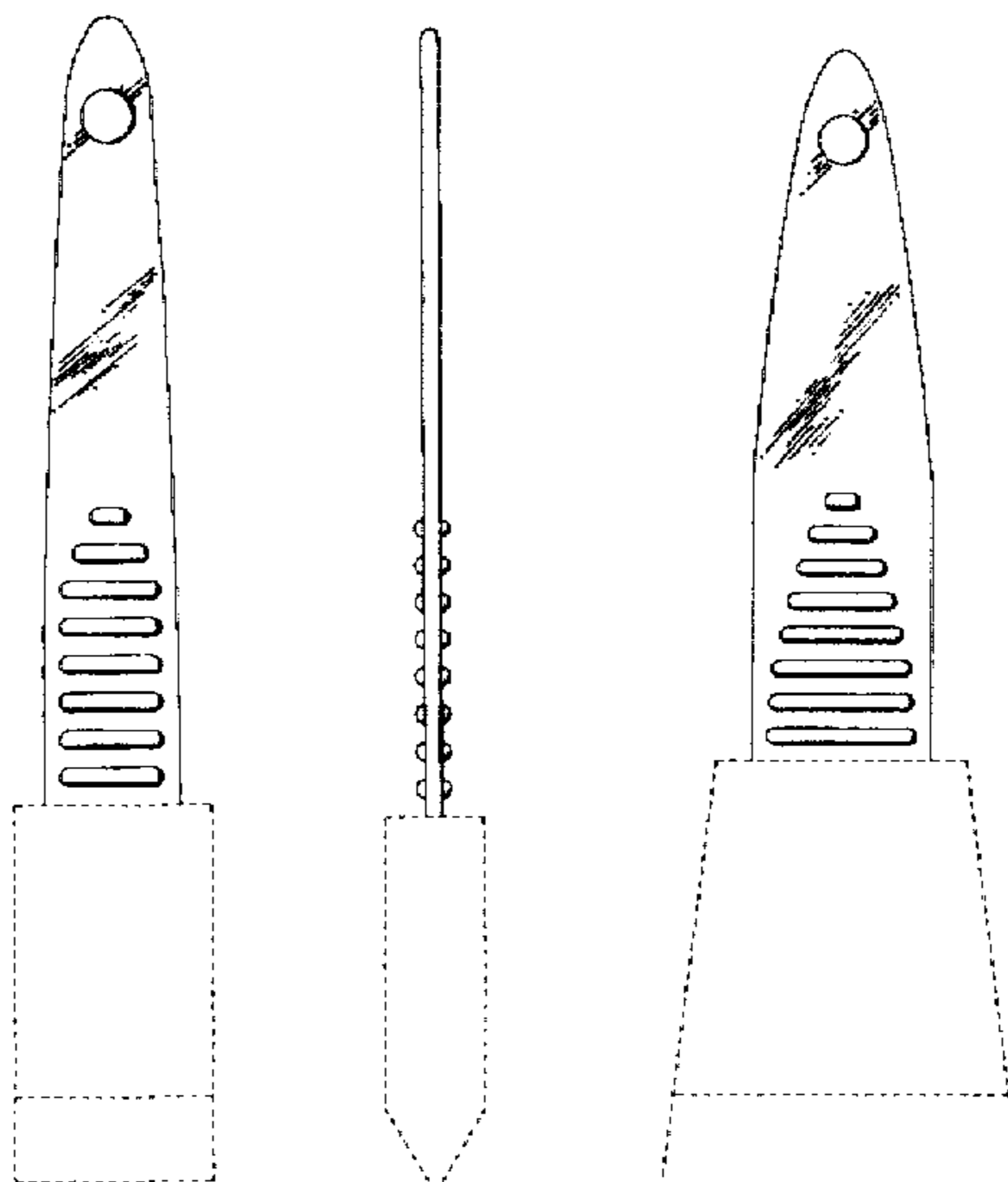
FIG. 13 is a bottom plan view of a third embodiment of the claimed brush handle;

FIG. 14 is a top end elevation of a third embodiment of the claimed brush handle; and,

FIG. 15 is a bottom end elevation of a third embodiment of the claimed brush handle.

The broken lines of FIGS. 1-3, 6-8 and 11-13 represent a foam brush head. They are intended to denote the nature and environmental use of the claimed design and are not a part of the design sought to be patented.

1 Claim, 4 Drawing Sheets



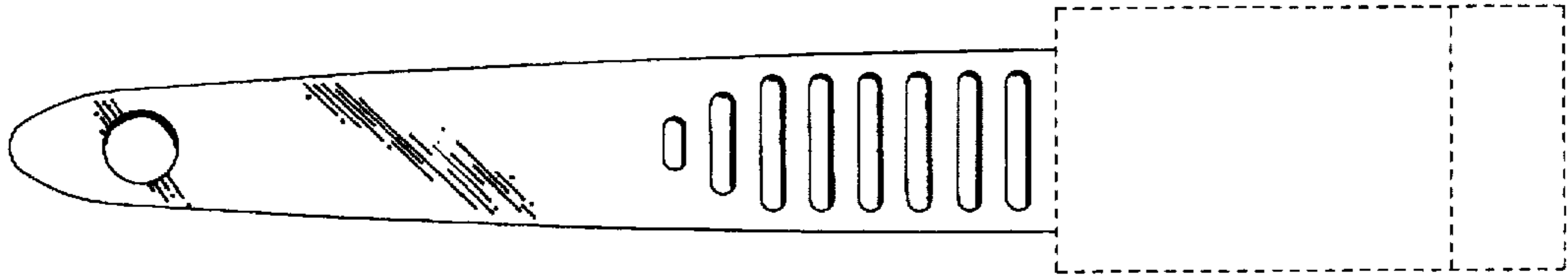


Fig. 1

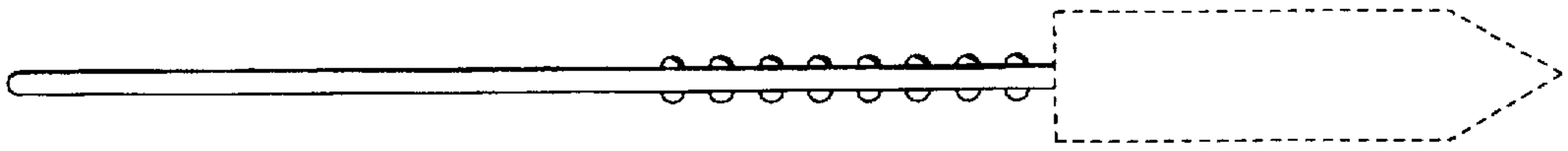


Fig. 2

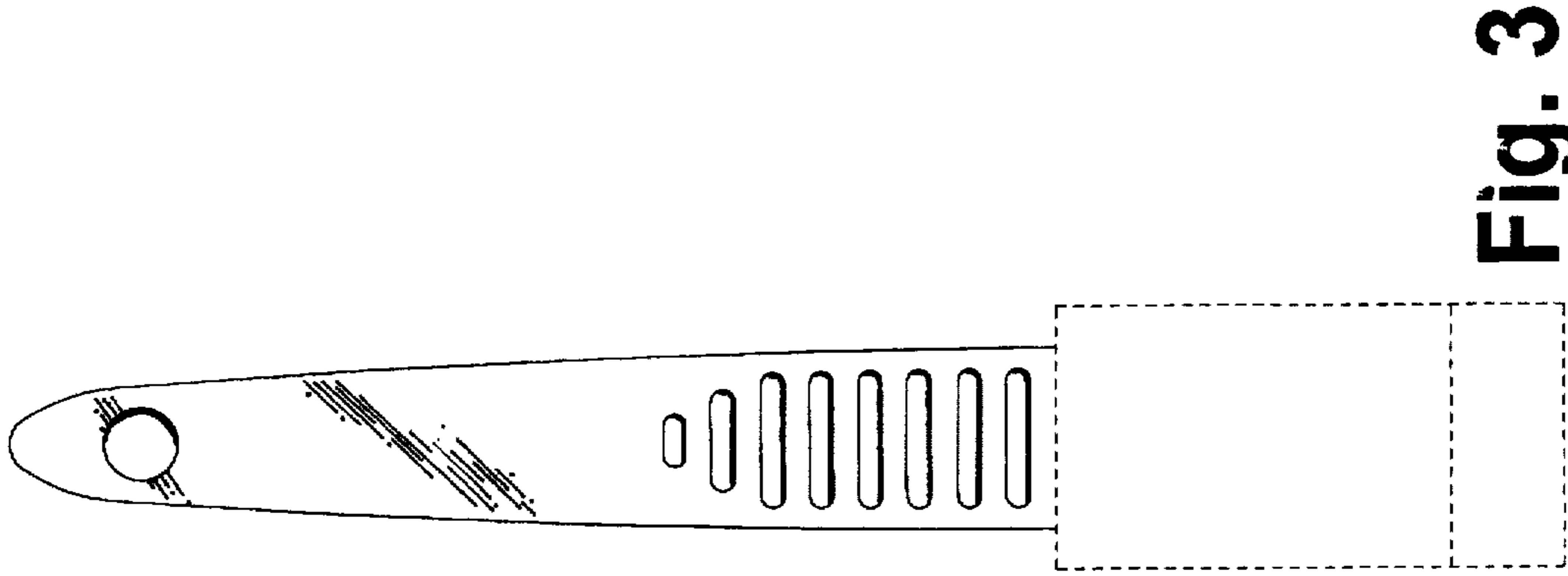


Fig. 3



Fig. 4

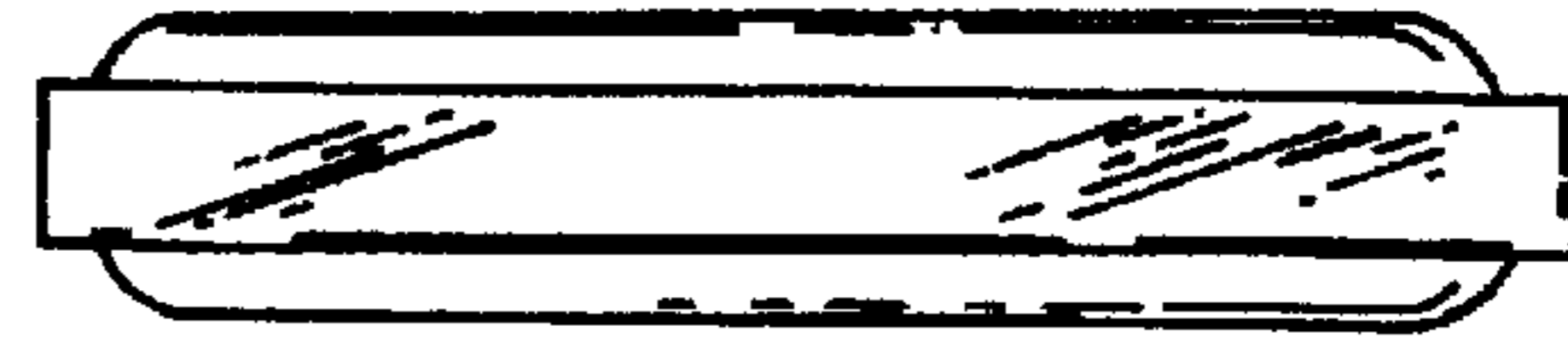


Fig. 5

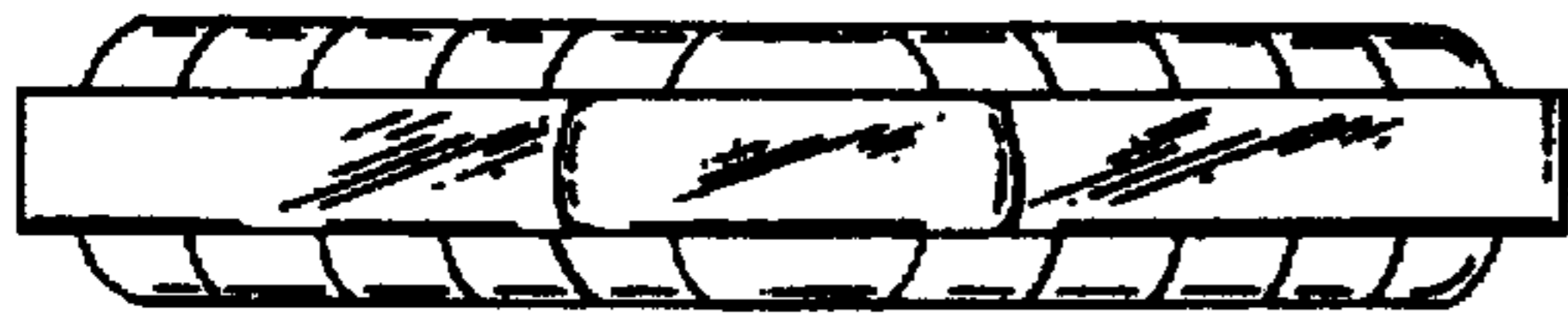


Fig. 9

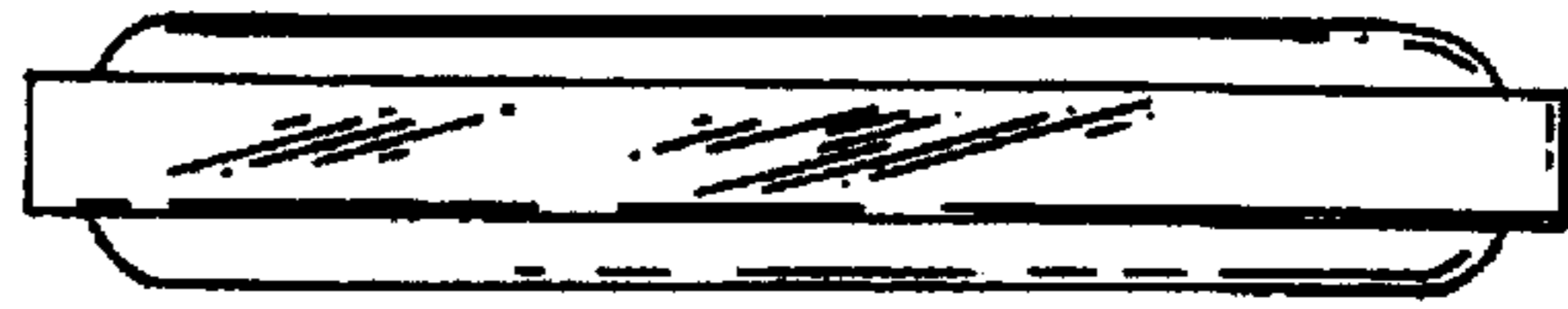


Fig. 10

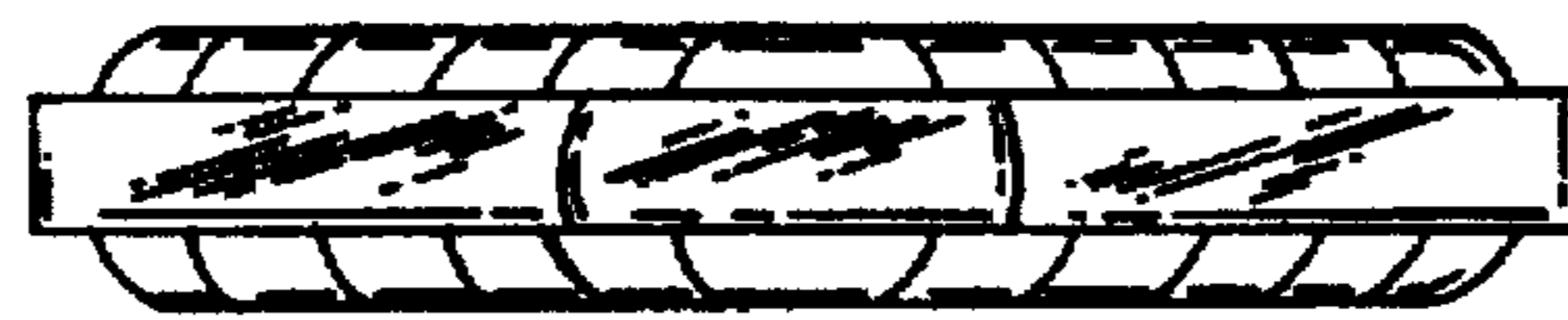


Fig. 14

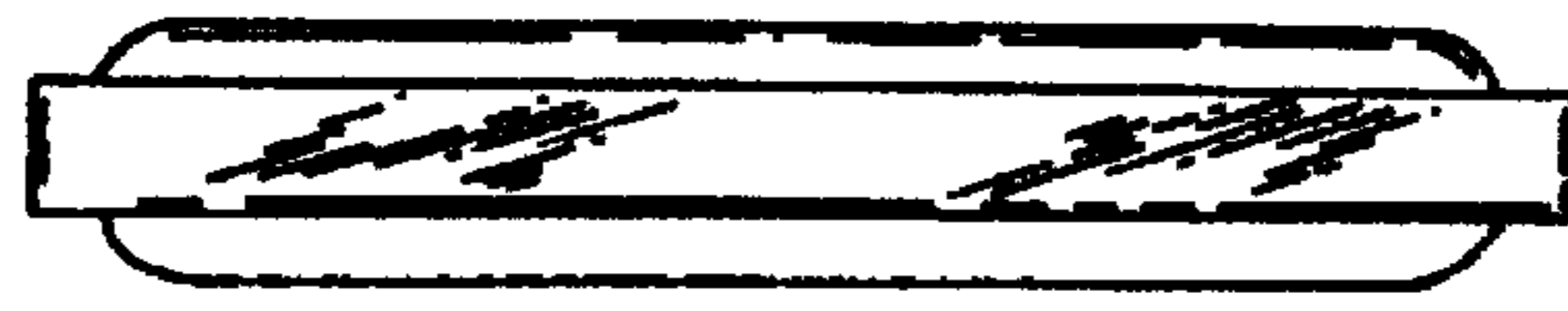


Fig. 15

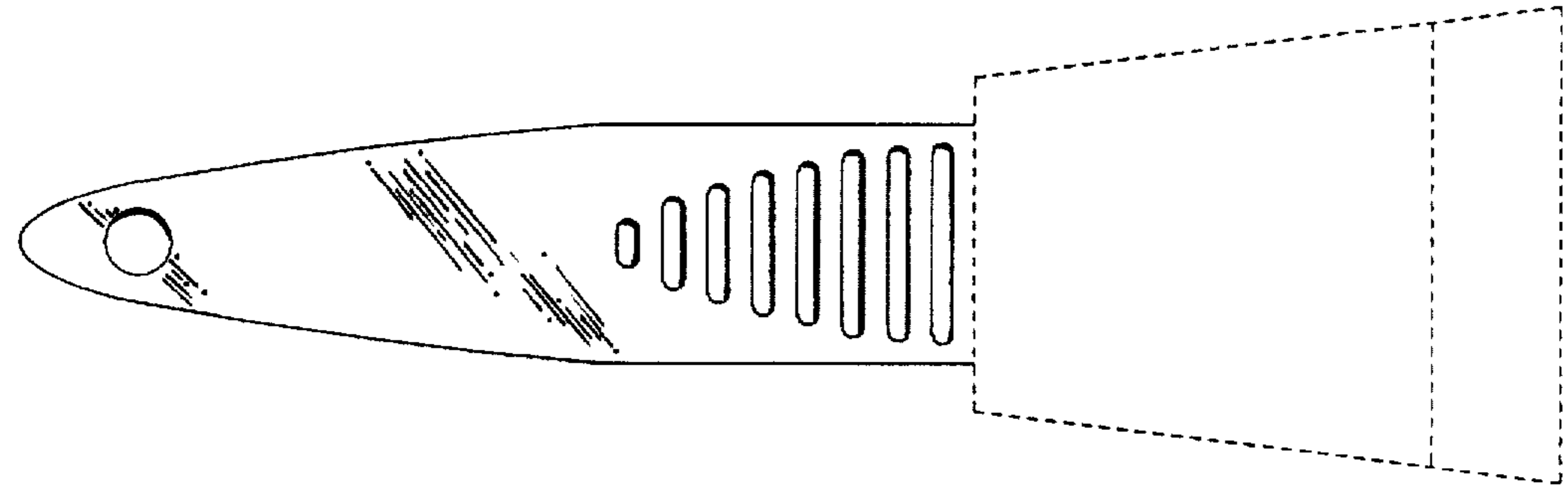


Fig. 6

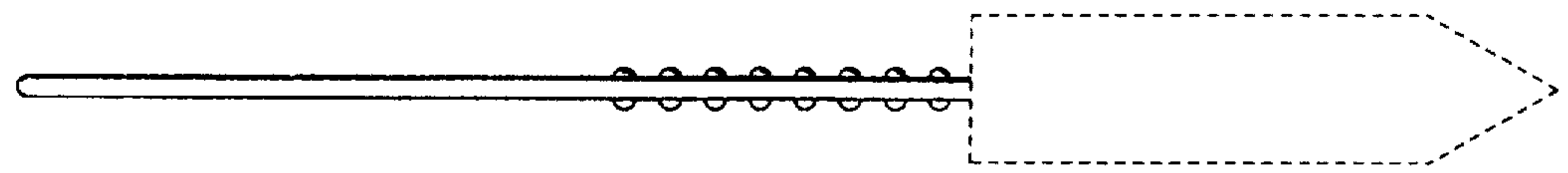


Fig. 7

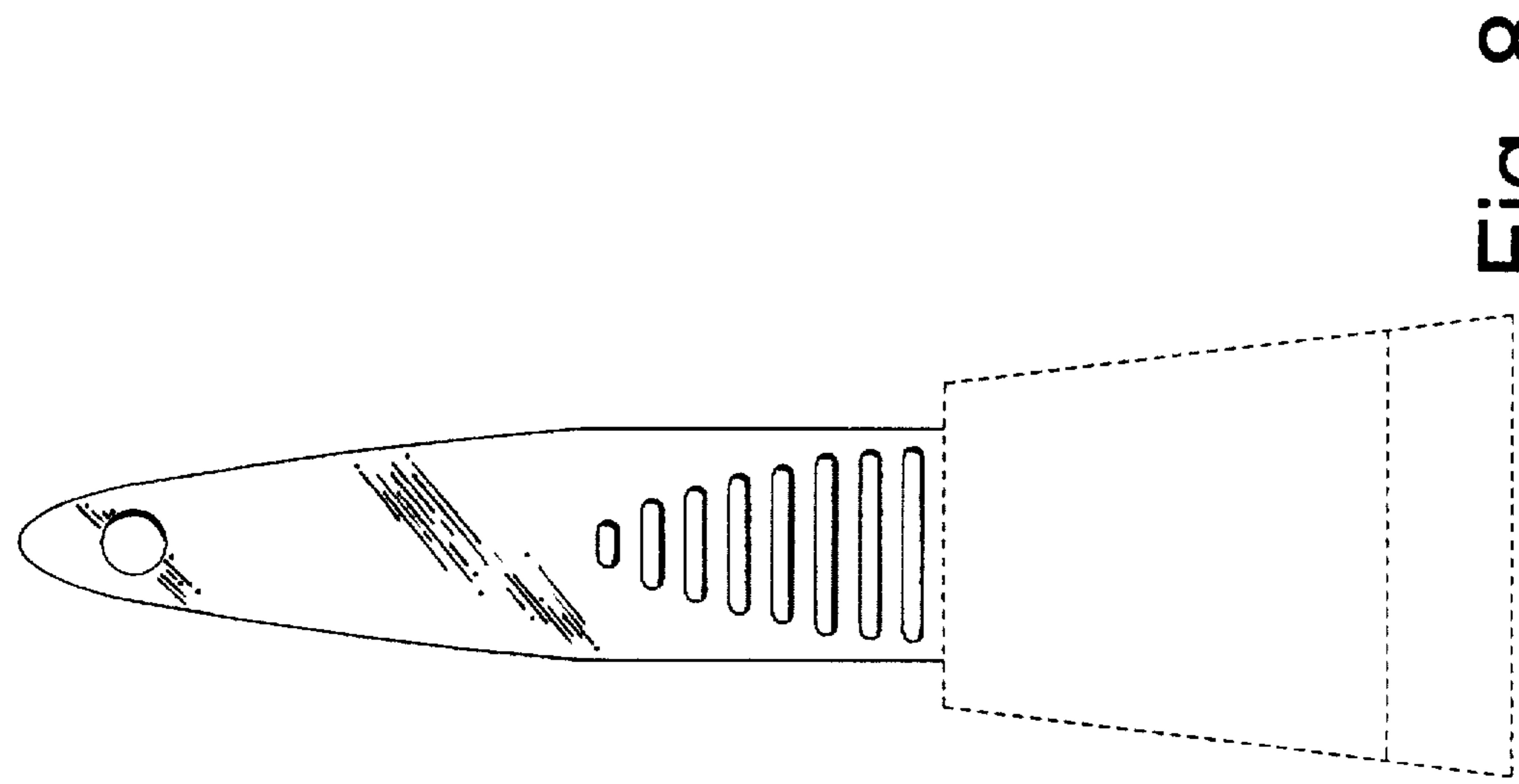


Fig. 8

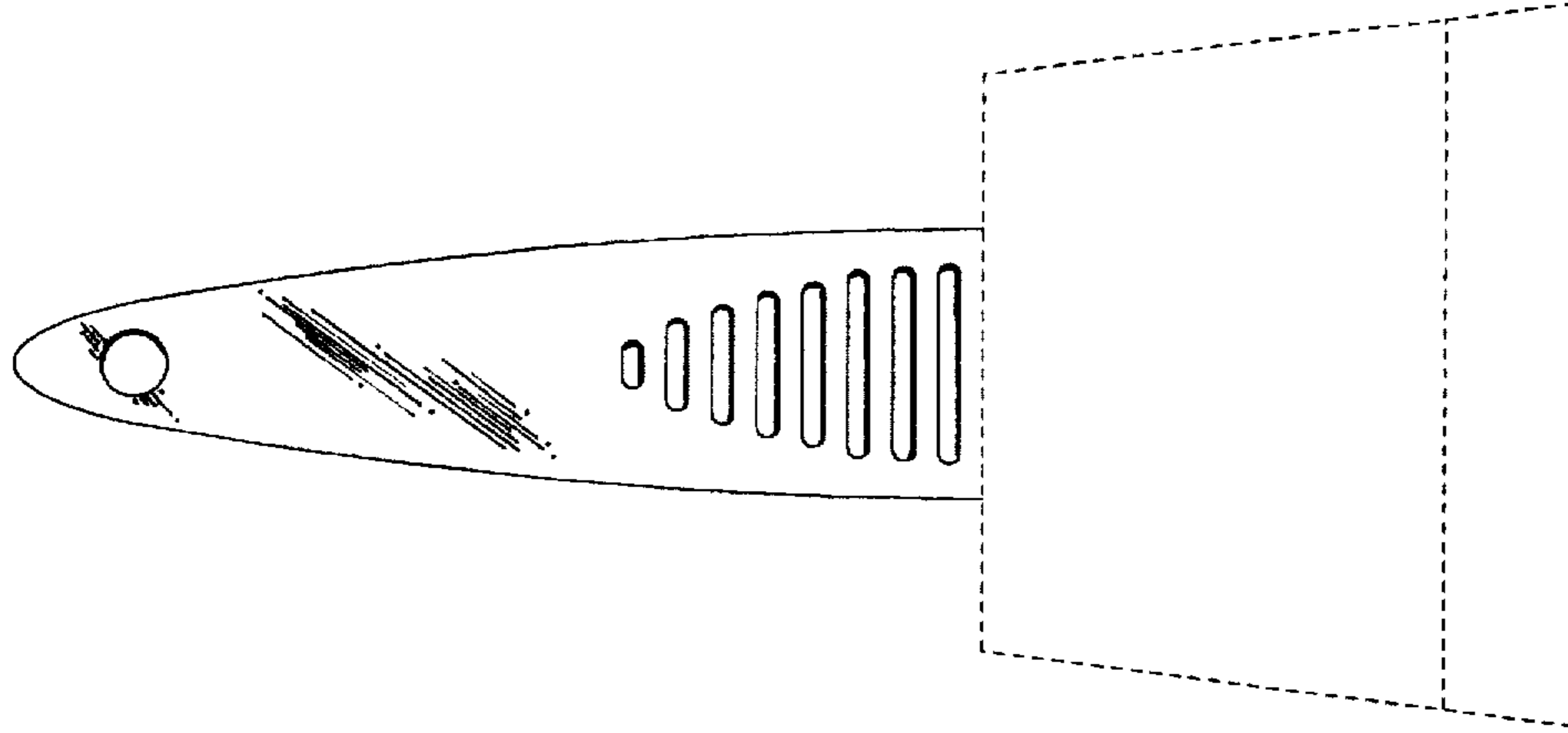


Fig. 11

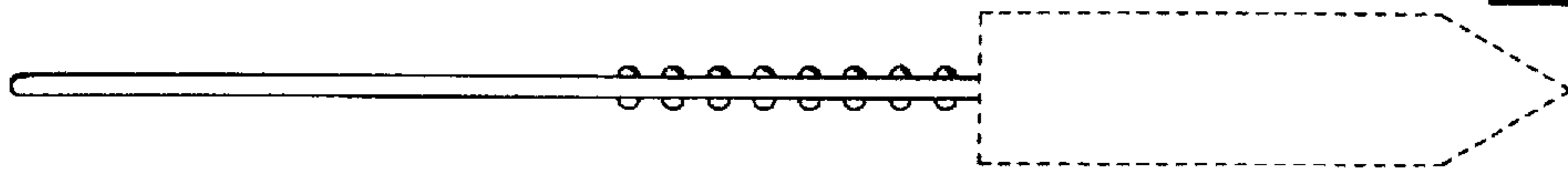


Fig. 12

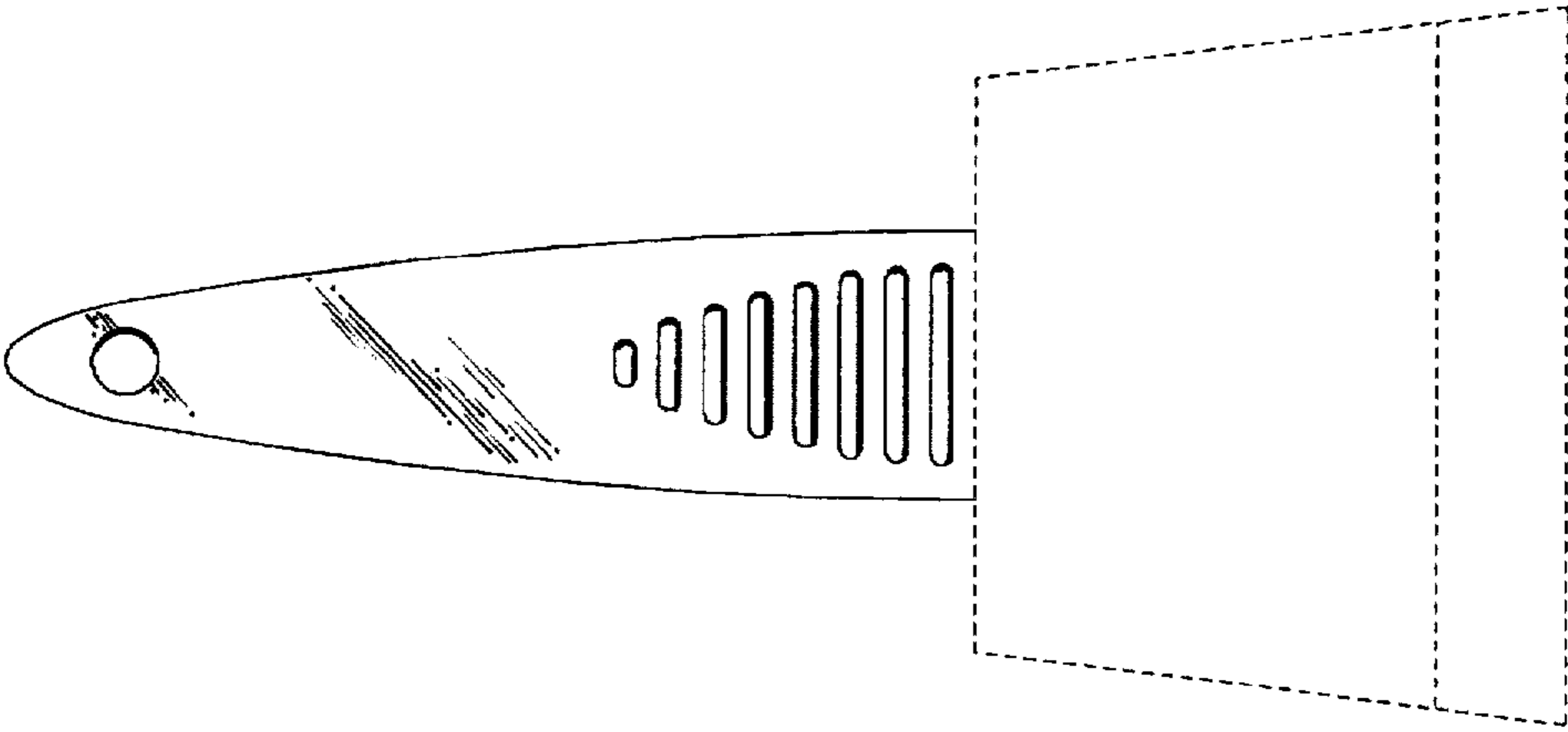


Fig. 13