



US00D386312S

United States Patent [19] Moskovich

[11] Patent Number: Des. 386,312
[45] Date of Patent: **Nov. 18, 1997

[54] **TOOTHBRUSH**
[75] Inventor: **Robert Moskovich**, East Brunswick, N.J.
[73] Assignee: **Colgate-Palmolive Company**, New York, N.Y.
[**] Term: **14 Years**
[21] Appl. No.: **52,002**
[22] Filed: **Apr. 4, 1996**
[51] LOC (6) Cl. **04-02**
[52] U.S. Cl. **D4/104**
[58] Field of Search D4/104-112, 132-134, D4/136, 138; 15/143.1, 159.1, 167.1, 167.2, 186, 187; 132/308, 309

2,814,818	11/1957	Birse	15/143.1
3,302,230	2/1967	Poppelman	15/167.1
4,519,109	5/1985	Raymond	15/110
4,731,896	3/1988	de La Tour	15/106
4,776,055	10/1988	Nelson	15/167.1
4,788,734	12/1988	Bauer	15/105

Primary Examiner—Alan P. Douglas
Assistant Examiner—Lavone D. Tabor
Attorney, Agent, or Firm—Richard J. Ancel; James M. Serafino

[57] CLAIM

The ornamental design for a toothbrush, as shown and described.

DESCRIPTION

FIG. 1 is a top plan view of a toothbrush showing my new design;
FIG. 2 is a front elevational view of FIG. 1;
FIG. 3 is a bottom plan view of FIG. 1;
FIG. 4 is an enlarged left end elevational view of FIG. 1;
FIG. 5 is an enlarged right end elevational view of FIG. 1;
FIG. 6 is an enlarged top and front perspective view of FIG. 1;
FIG. 7 is an enlarged bottom and rear perspective view of FIG. 1;
FIG. 8 is a second embodiment showing the handle portion of the toothbrush of FIG. 1, with the broken line showing of bristles being for illustrative purposes only and forming no part of this embodiment;
FIG. 9 is a front elevational view of FIG. 8;
FIG. 10 is a bottom plan view of FIG. 8;
FIG. 11 is an enlarged left end elevational view of FIG. 8;
FIG. 12 is an enlarged right end elevational view of FIG. 8;
FIG. 13 is an enlarged top and front perspective view of FIG. 8; and,
FIG. 14 is an enlarged bottom and rear perspective view of FIG. 8.

[56] References Cited

U.S. PATENT DOCUMENTS

D. 123,388	11/1940	Duey	D4/104
D. 157,707	3/1950	Shelsey	D4/120
D. 172,693	7/1954	Wibbelsman et al.	D4/104
D. 179,985	4/1957	Scholl	D4/132
D. 207,303	4/1967	Moll	D4/105
D. 258,143	2/1981	Flick	D4/104 X
D. 283,952	5/1986	Berkowitz	D4/108
D. 315,060	3/1991	Purushothaman	D4/104
D. 320,889	10/1991	Berti	D4/138
D. 324,311	3/1992	Mueller	D4/119
D. 334,474	4/1993	Sauceda	D4/104
D. 343,955	2/1994	Peters, Jr.	D4/104
D. 346,276	4/1994	Sherman et al.	D4/104
D. 346,277	4/1994	Sherman et al.	D4/104
1,657,450	1/1928	Barnes	15/167.1
1,984,787	11/1934	Elliot	15/143.1
2,094,240	9/1937	Herrick et al.	15/167.1
2,229,664	1/1941	Meeske	15/167.1
2,263,885	11/1941	McGauley	15/143.1
2,548,255	4/1951	Cressler	300/21
2,690,579	10/1954	Backstrom	15/167.1

1 Claim, 4 Drawing Sheets

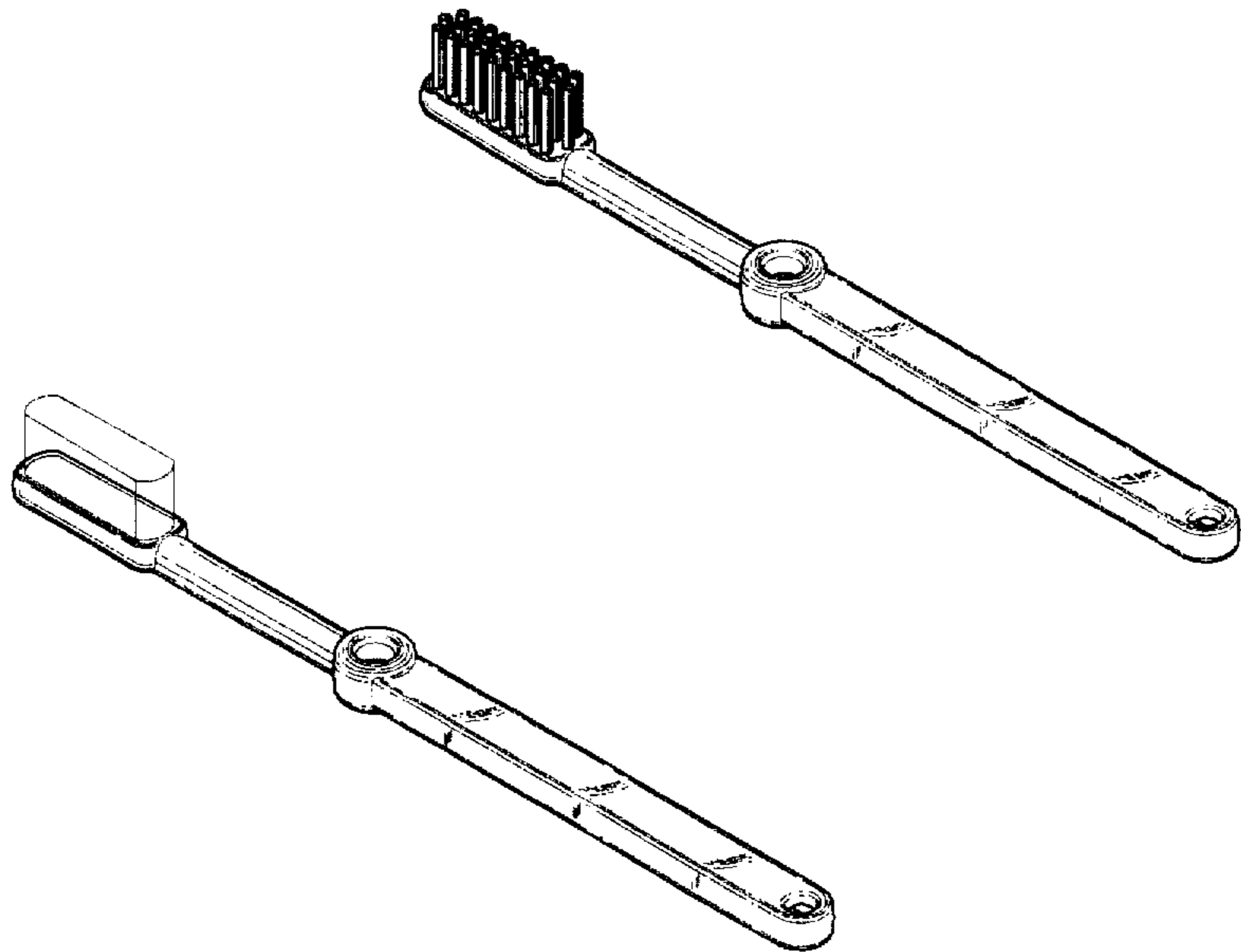


FIG. 1

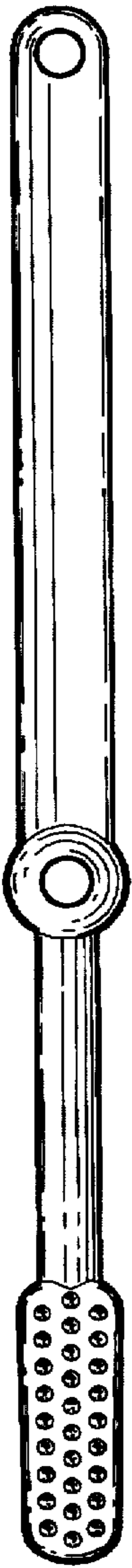


FIG. 2

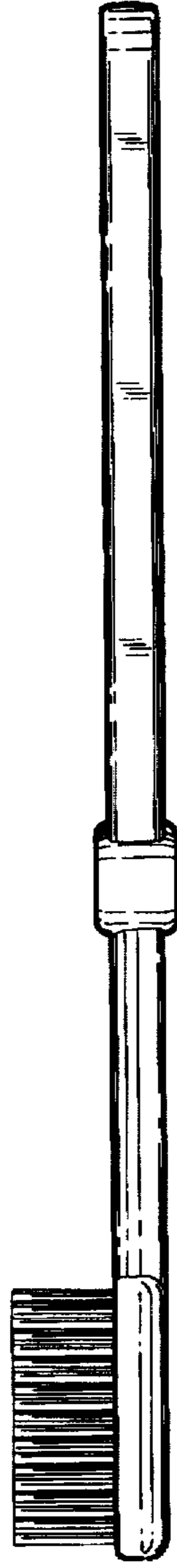


FIG. 3



FIG. 5

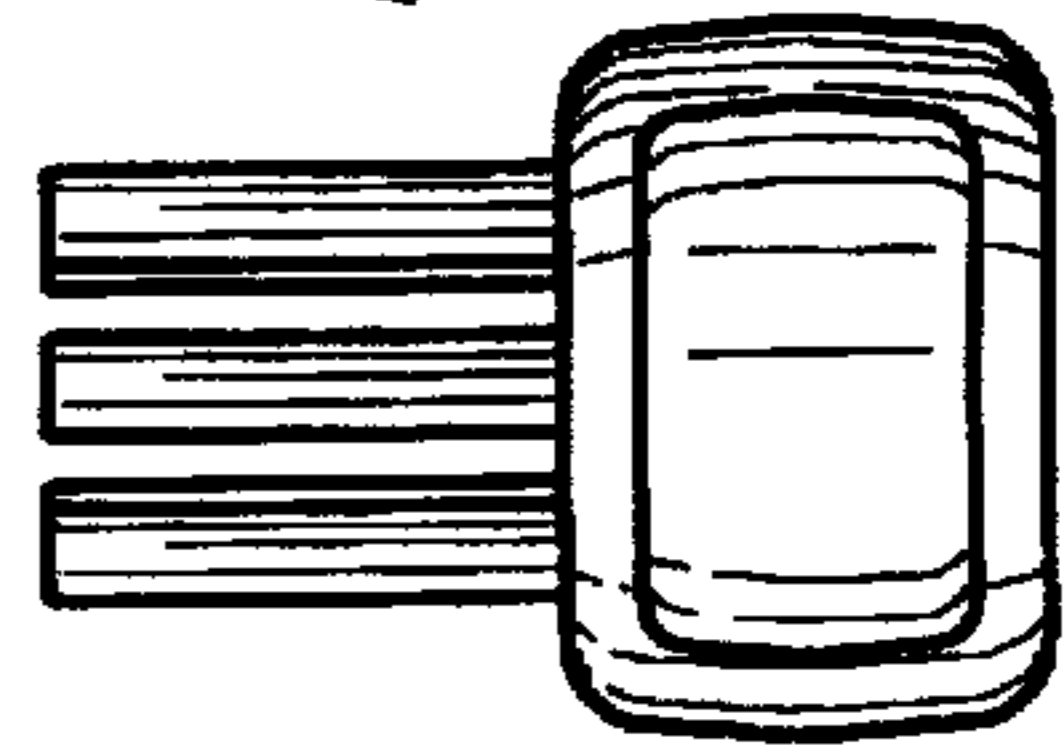
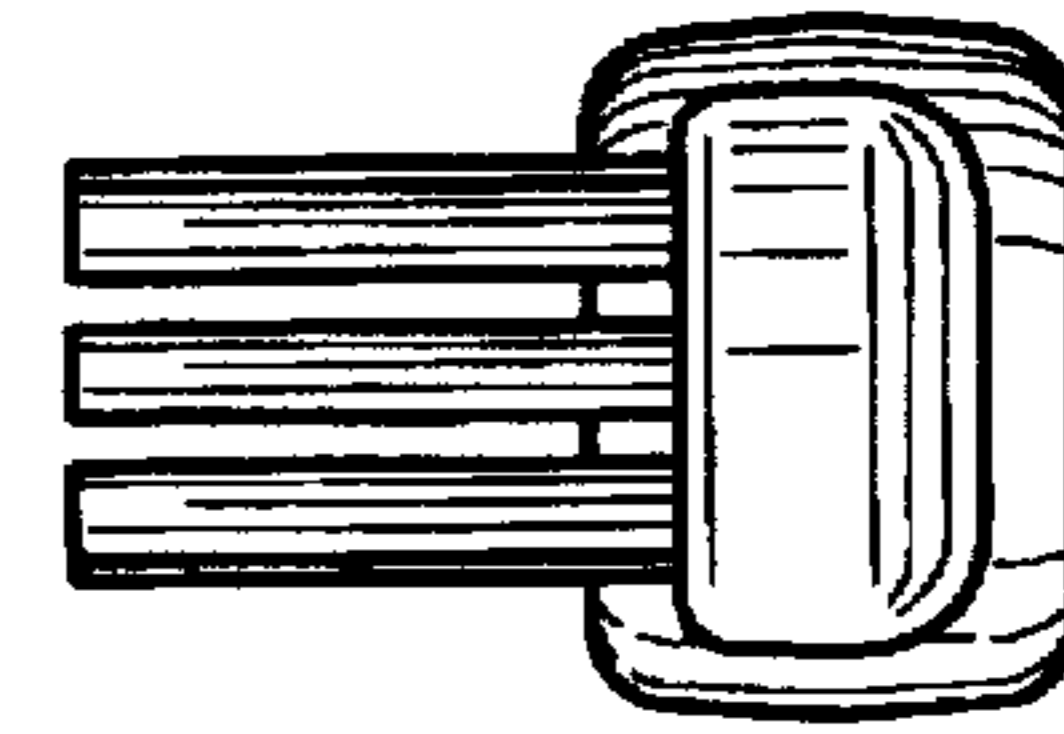


FIG. 4



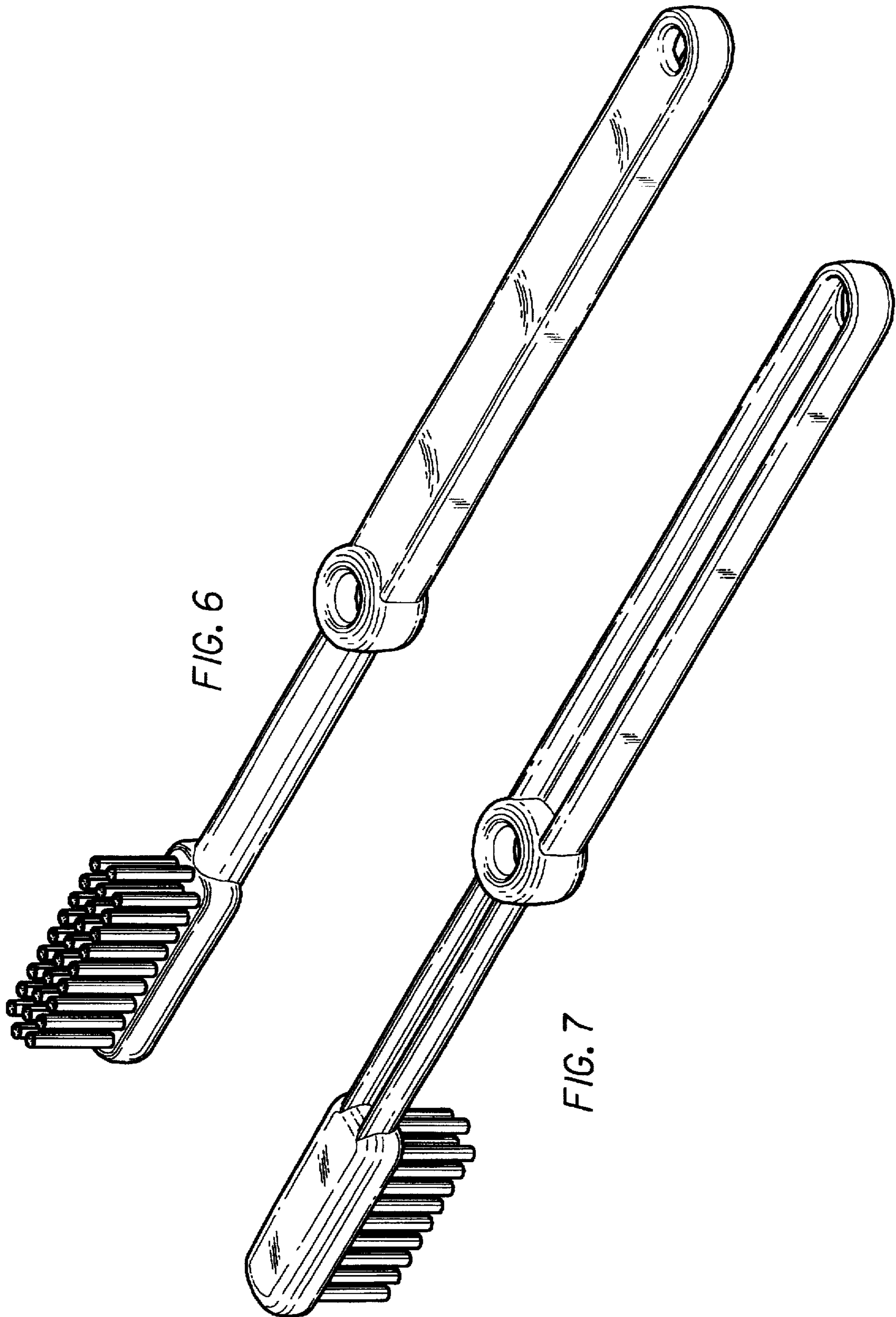


FIG. 8

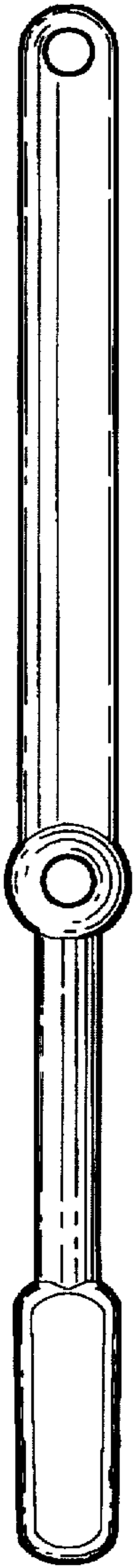


FIG. 9

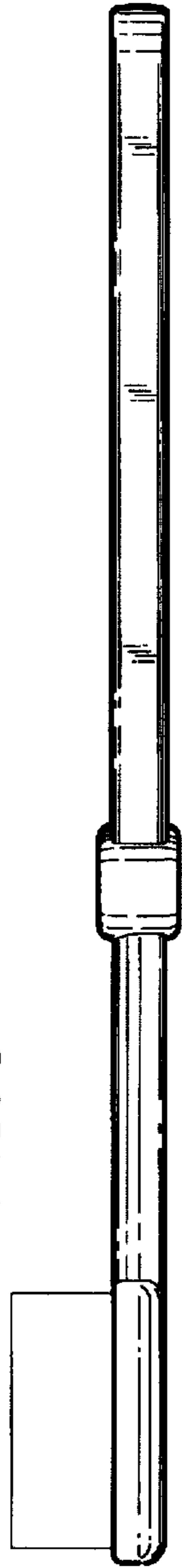


FIG. 10

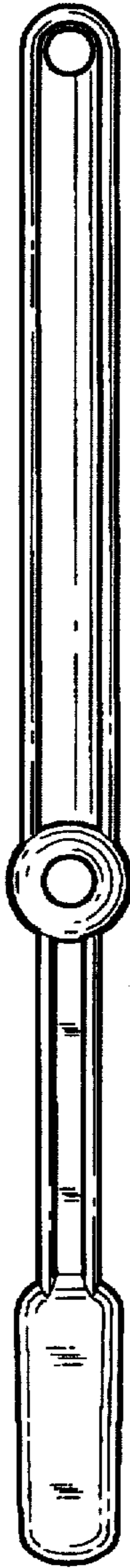


FIG. 11

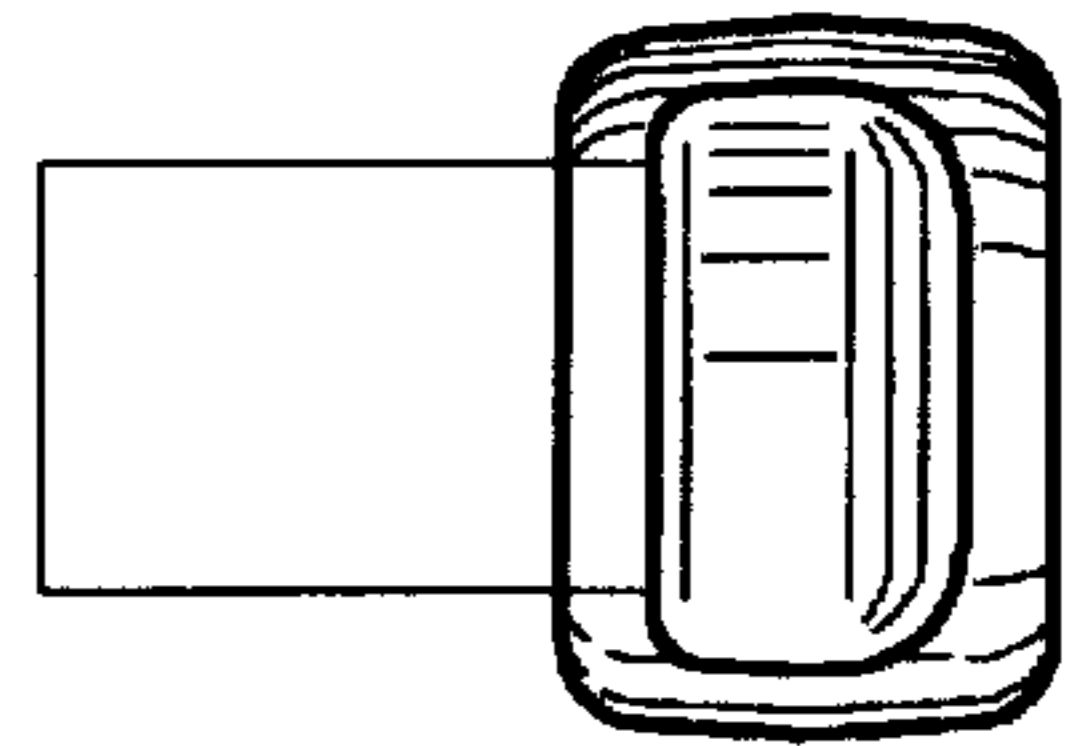
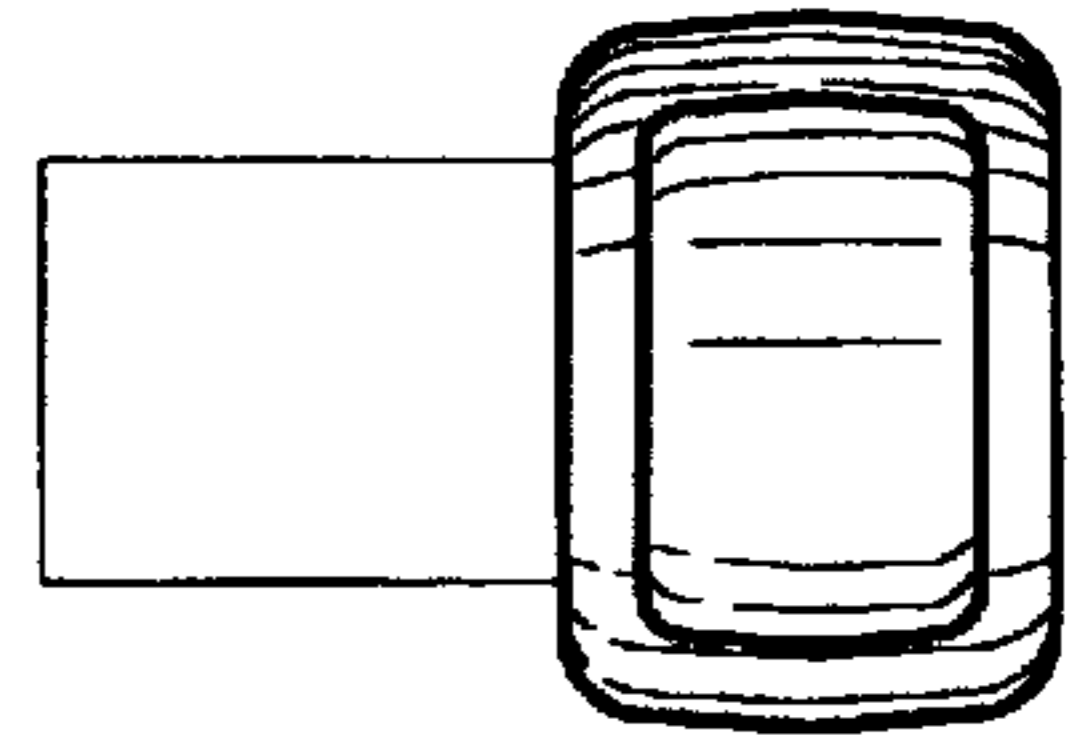


FIG. 12



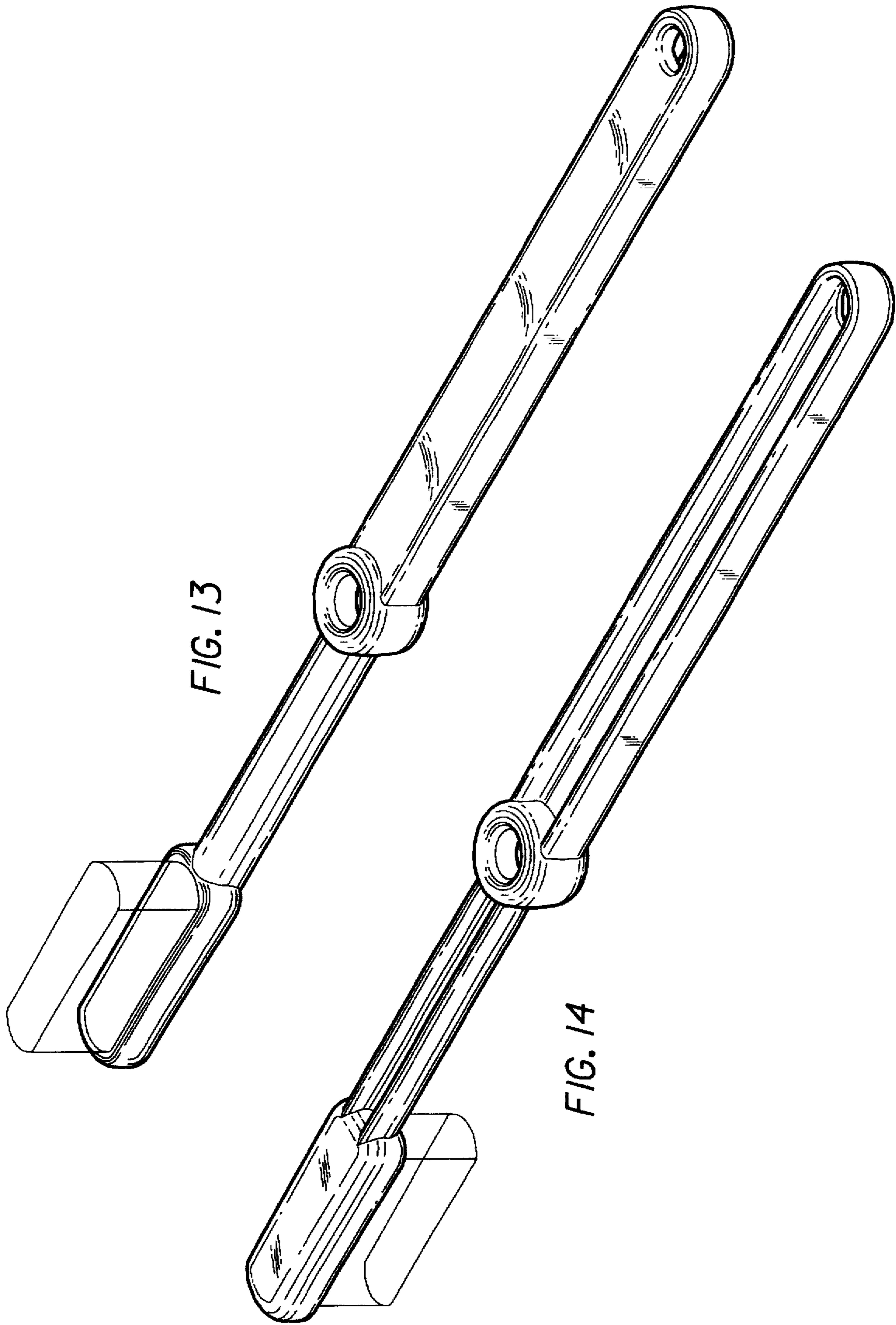


FIG. 13

FIG. 14