



US00D386311S

United States Patent [19]
Moskovich

[11] **Patent Number: Des. 386,311**
[45] **Date of Patent: ***Nov. 18, 1997**

[54] **TOOTHBRUSH**

[75] **Inventor: Robert Moskovich, East Brunswick, N.J.**

[73] **Assignee: Colgate-Palmolive Company, New York, N.Y.**

[*] **Notice: The portion of the term of this patent subsequent to Nov. 11, 2011, has been disclaimed.**

[**] **Term: 14 Years**

[21] **Appl. No.: 52,001**

[22] **Filed: Apr. 4, 1996**

[51] **LOC (6) Cl. 04-02**

[52] **U.S. Cl. D4/104**

[58] **Field of Search D4/104-112, 132-134, D4/136, 138; 15/143.1, 159.1, 167.1, 167.2, 186, 187; 132/308, 309**

[56] **References Cited**

U.S. PATENT DOCUMENTS

D. 136,156	8/1943	Fuller	D4/104
D. 160,919	11/1950	Brooks	D4/104
D. 204,869	5/1966	Solberg	D4/104
D. 219,121	11/1970	Krahner	D4/104
D. 257,192	10/1980	Moses	D4/104
D. 273,724	5/1984	Gillow	D4/104
D. 274,018	5/1984	Usui	D4/105
D. 278,002	3/1985	Swope, Jr.	D4/104
D. 308,138	5/1990	Redmond	D4/104
D. 318,571	7/1991	Sletbak	D4/104
D. 318,760	8/1991	Kreisher et al.	D4/104
D. 329,751	9/1992	Booth	D4/104
D. 330,116	10/1992	Crawford et al.	D4/104
D. 330,459	10/1992	Makinami	D4/104
D. 331,320	12/1992	Kreisher et al.	D4/104
D. 336,369	6/1993	Harden	D4/104
D. 336,991	7/1993	Makinami	D4/104
D. 346,276	4/1994	Sherman et al.	D4/104
D. 346,277	4/1994	Sherman et al.	D4/104
D. 346,902	5/1994	Makinami	D4/104
D. 347,736	6/1994	Schneider et al.	D4/104

D. 347,943	6/1994	Perry	D4/104
D. 349,605	8/1994	Schneider et al.	D4/104
D. 358,032	5/1995	Schneider et al.	D4/104
D. 358,938	6/1995	Schneider et al.	D4/104
D. 359,167	6/1995	Barre	D4/104
D. 359,168	6/1995	Schiffer	D4/104
D. 359,623	6/1995	Kinoshita	D4/104
D. 362,963	10/1995	Brady et al.	D4/104
D. 363,373	10/1995	Heinzelman et al.	D4/104
D. 363,820	11/1995	Winge	D4/108
958,371	5/1910	Danek	15/167.1
1,910,304	5/1933	McKinley	15/167.1 X
2,094,240	9/1937	Herrick et al.	15/167.1
2,263,885	11/1941	McGauley	15/167.1
2,266,195	11/1941	Hallock	15/167.1
5,339,482	8/1994	Desimone et al.	15/167.1
5,396,678	3/1995	Bredall et al.	15/167.1
5,396,679	3/1995	Brown et al.	15/167.1
5,398,369	3/1995	Heinzelman et al.	15/167.1

Primary Examiner—Alan P. Douglas

Assistant Examiner—Lavone D. Tabor

Attorney, Agent, or Firm—Richard J. Ancel; James M. Serafino

[57] **CLAIM**

The ornamental design for a toothbrush, as shown and described.

DESCRIPTION

FIG. 1 is a top plan view of a toothbrush showing my new design;

FIG. 2 is a front elevational view of FIG. 1;

FIG. 3 is a bottom plan view of FIG. 1;

FIG. 4 is an enlarged left end elevational view of FIG. 1;

FIG. 5 is an enlarged right end elevational view of FIG. 1;

FIG. 6 is an enlarged top and front perspective view of FIG. 1;

FIG. 7 is an enlarged bottom and rear perspective view of FIG. 1;

FIG. 8 is a second embodiment showing the handle portion of the toothbrush of FIG. 1, with the broken line showing of bristles being for illustrative purposes only and forming no part of this embodiment;

FIG. 9 is a front elevational view of FIG. 8;

FIG. 10 is a bottom plan view of FIG. 8;

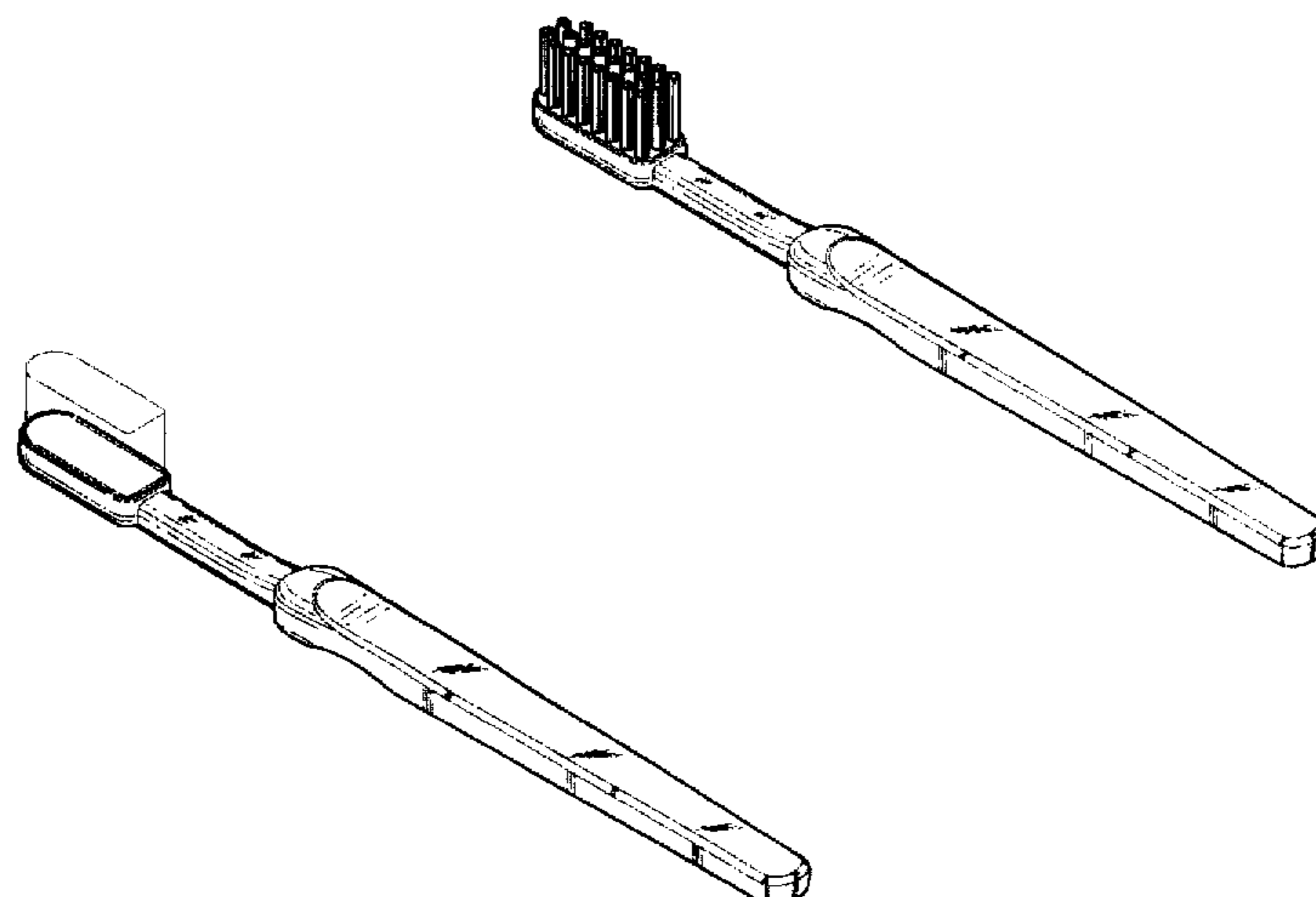


FIG. 11 is an enlarged left end elevational view of **FIG. 8**;
FIG. 12 is an enlarged right end elevational view of **FIG. 8**;
FIG. 13 is an enlarged top and front perspective view of **FIG. 8**; and,

FIG. 14 is an enlarged bottom and rear perspective view of **FIG. 8**.

1 Claim, 4 Drawing Sheets

FIG. 1

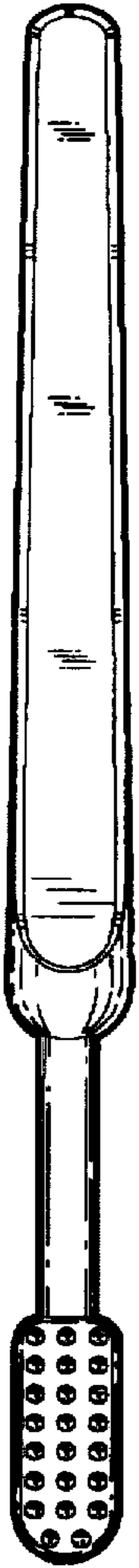


FIG. 2

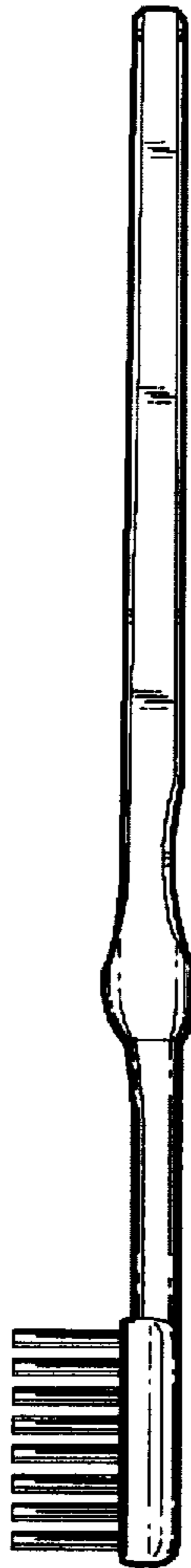


FIG. 3



FIG. 4

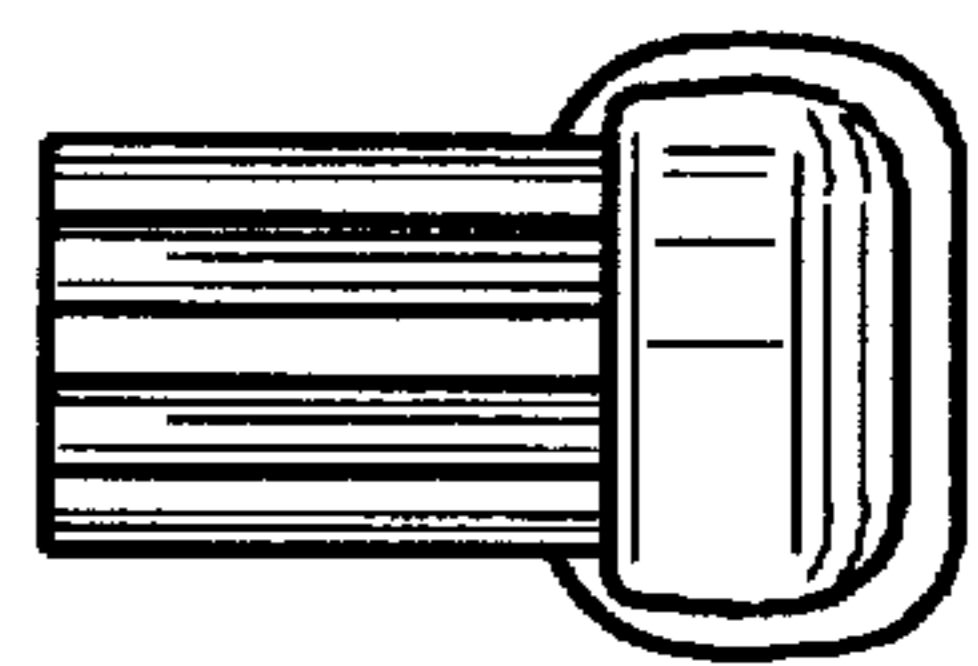
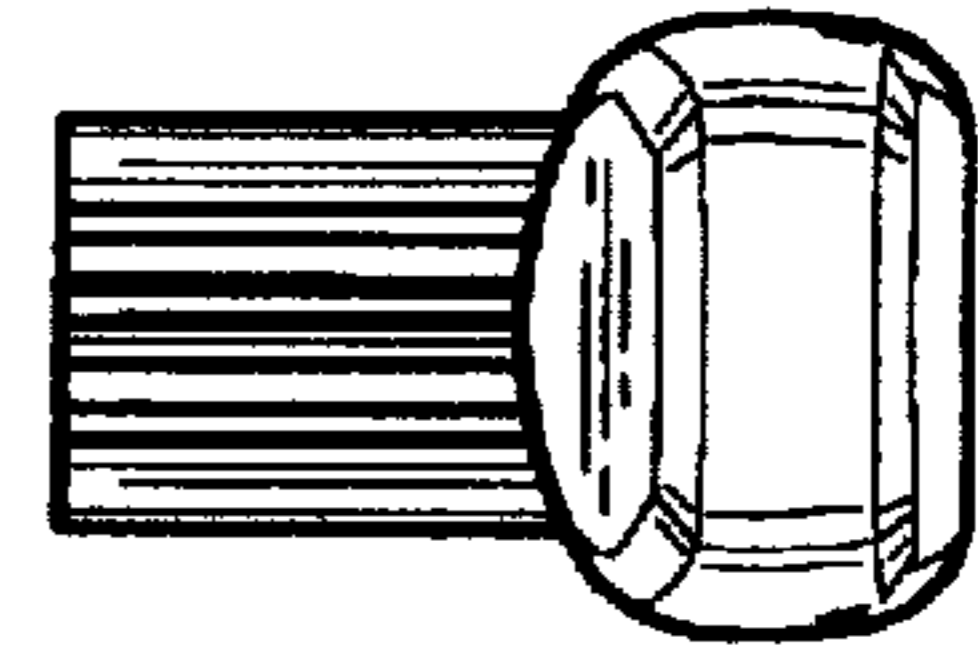


FIG. 5



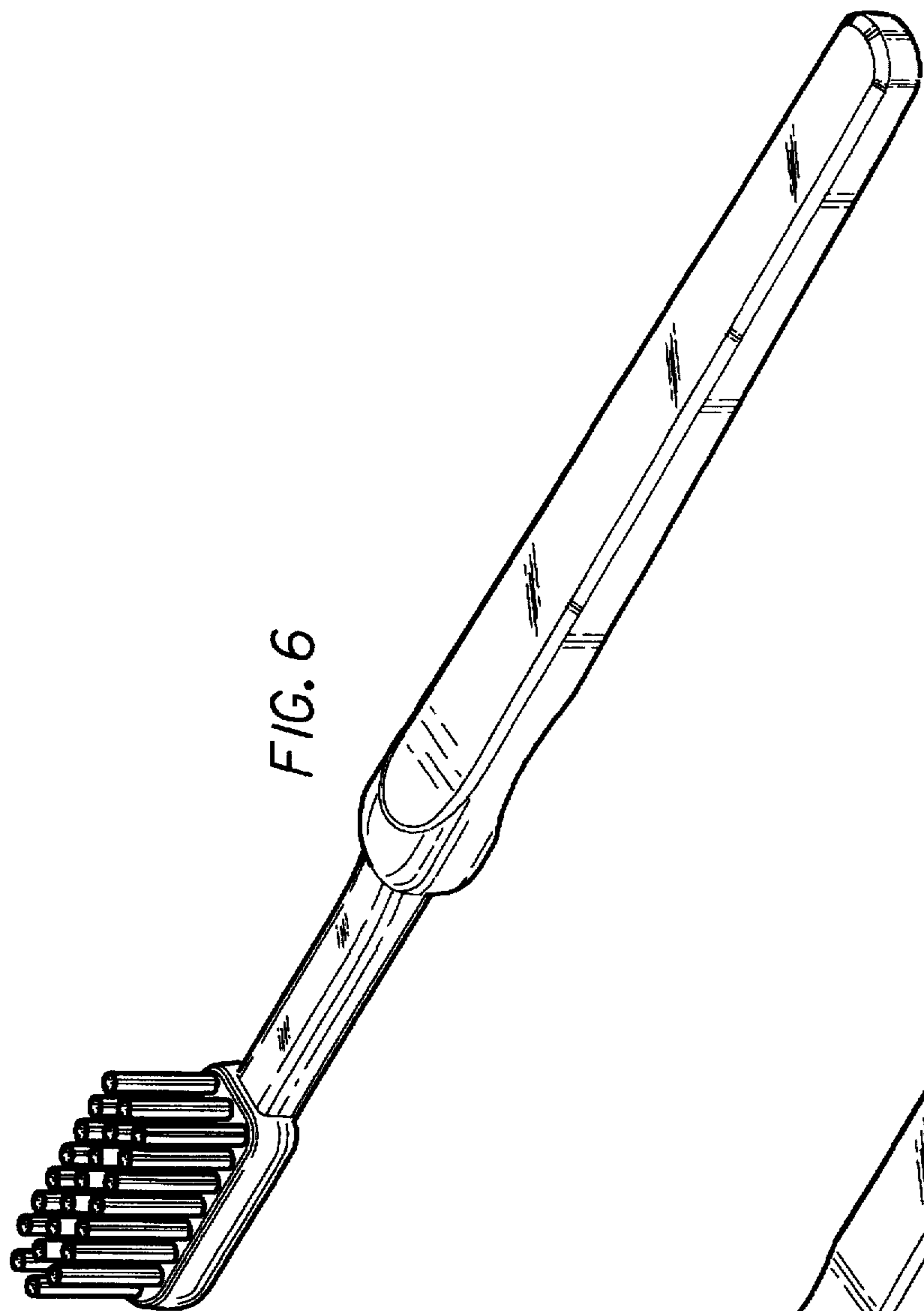


FIG. 6

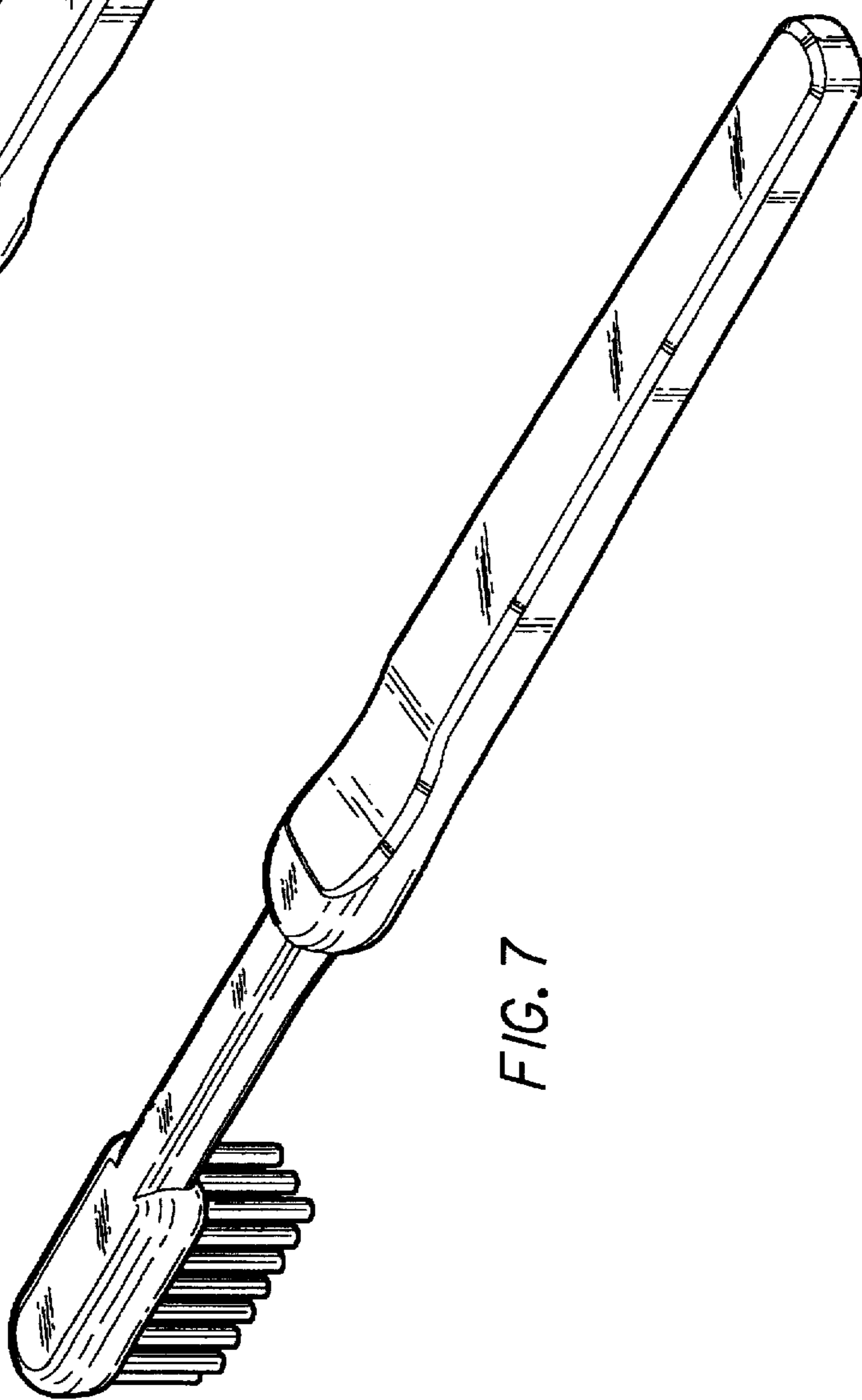


FIG. 7

FIG. 8



FIG. 9

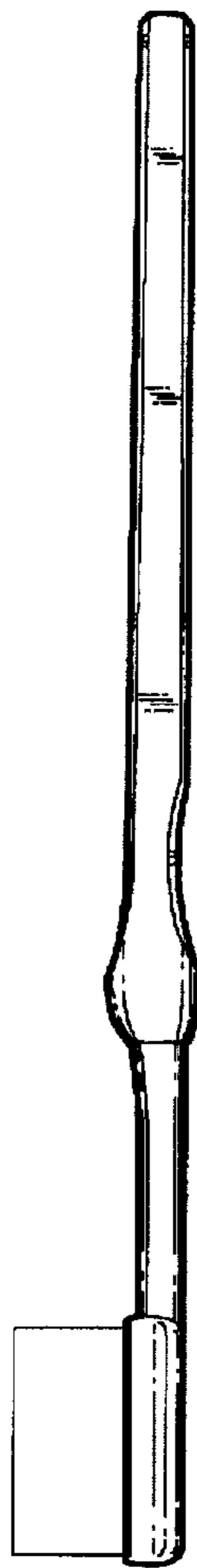


FIG. 10



FIG. 11

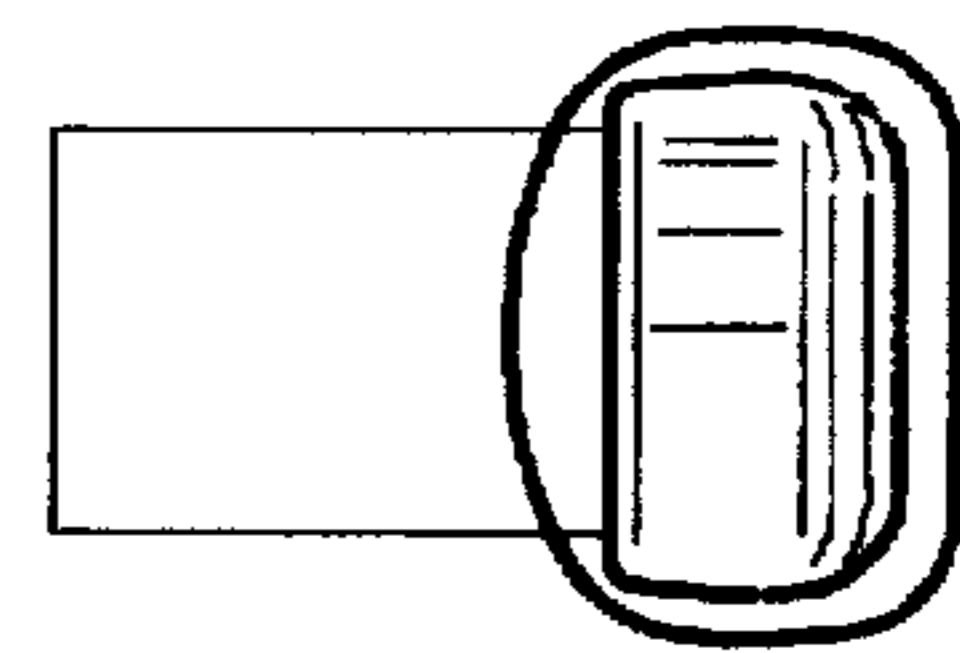
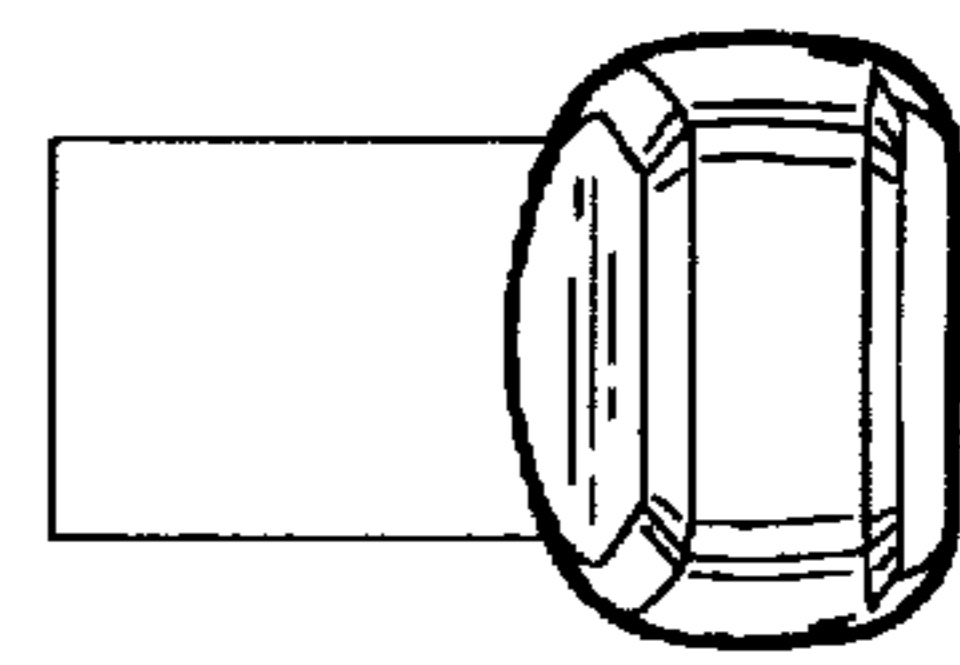


FIG. 12



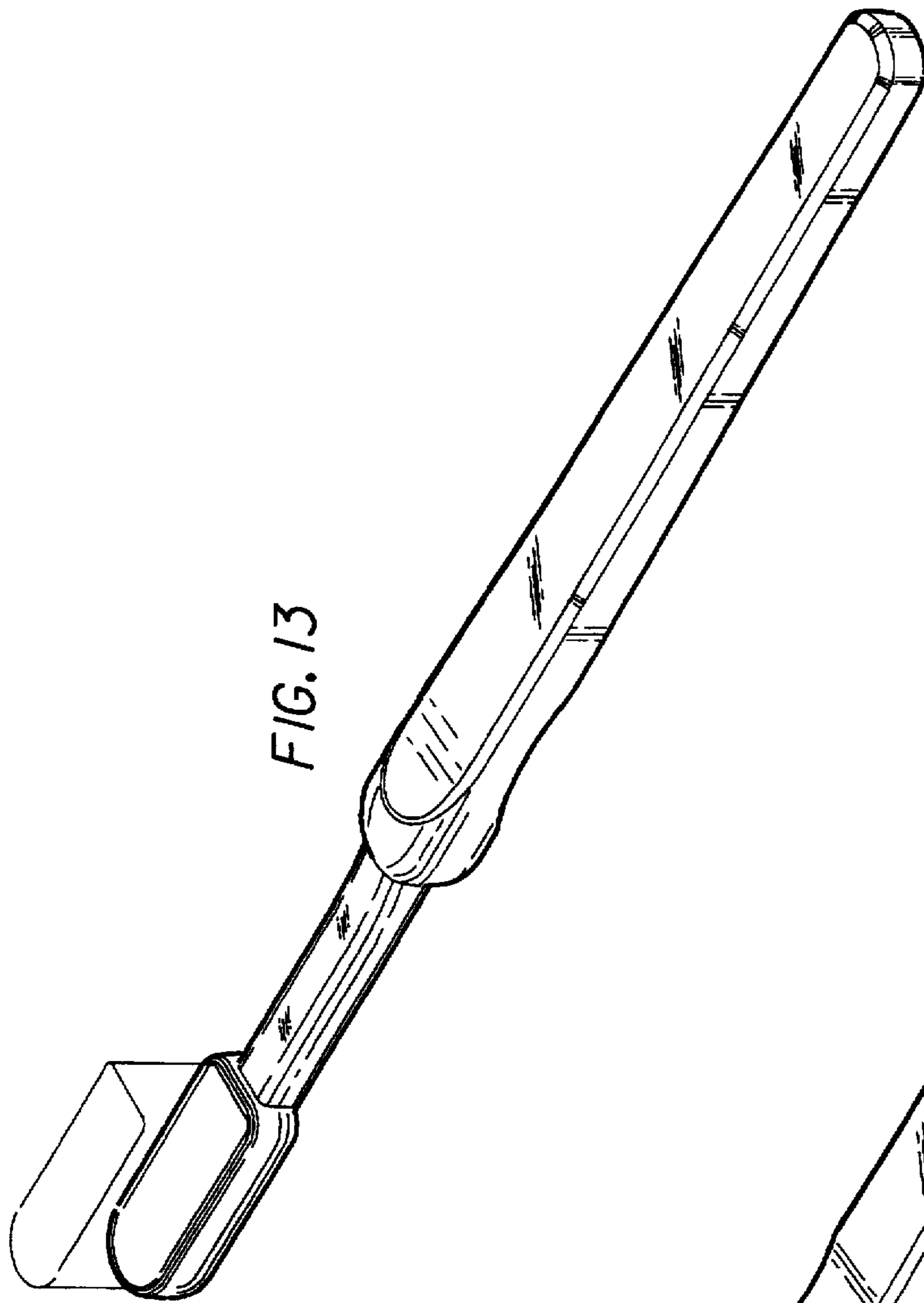


FIG. 13

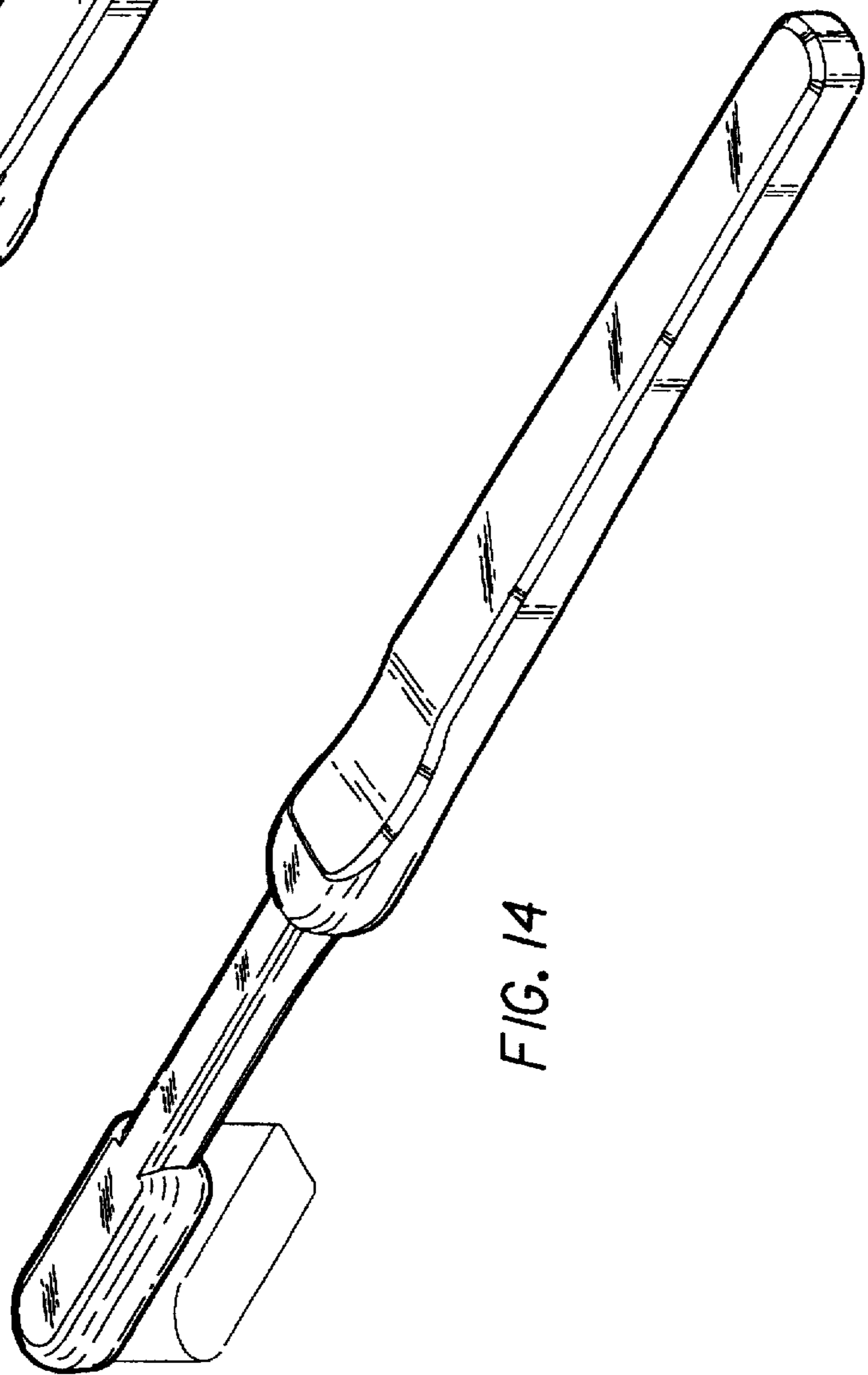


FIG. 14