

US00D386309S

United States Patent [19] Hsieh

[11] Patent Number: **Des. 386,309**

[45] Date of Patent: ****Nov. 18, 1997**

[54] SEAT FRAME FOR SUITCASE

5,431,428 7/1995 Marchwiak et al. 190/18 A X
5,433,461 7/1995 Chang 190/18 A X

[76] Inventor: **Hung-Hsin Hsieh**, 15F, No. 83, Sec. 1,
Chung-Hsiao East Rd., Taipei, Taiwan

Primary Examiner—Doris V. Coles
Assistant Examiner—Catherine R. Oliver
Attorney, Agent, or Firm—Erik M. Arnhem

[**] Term: **14 Years**

[57] **CLAIM**

[21] Appl. No.: **40,863**

The ornamental design for seat frame for suitcase, as shown and described.

[22] Filed: **Jun. 29, 1995**

DESCRIPTION

[51] LOC (6) Cl. **03-99**

[52] U.S. Cl. **D3/318**

[58] Field of Search D3/318, 315, 279,
D3/201, 323; 190/18 A, 18 R, 24, 115;
280/37, 47.27, 655

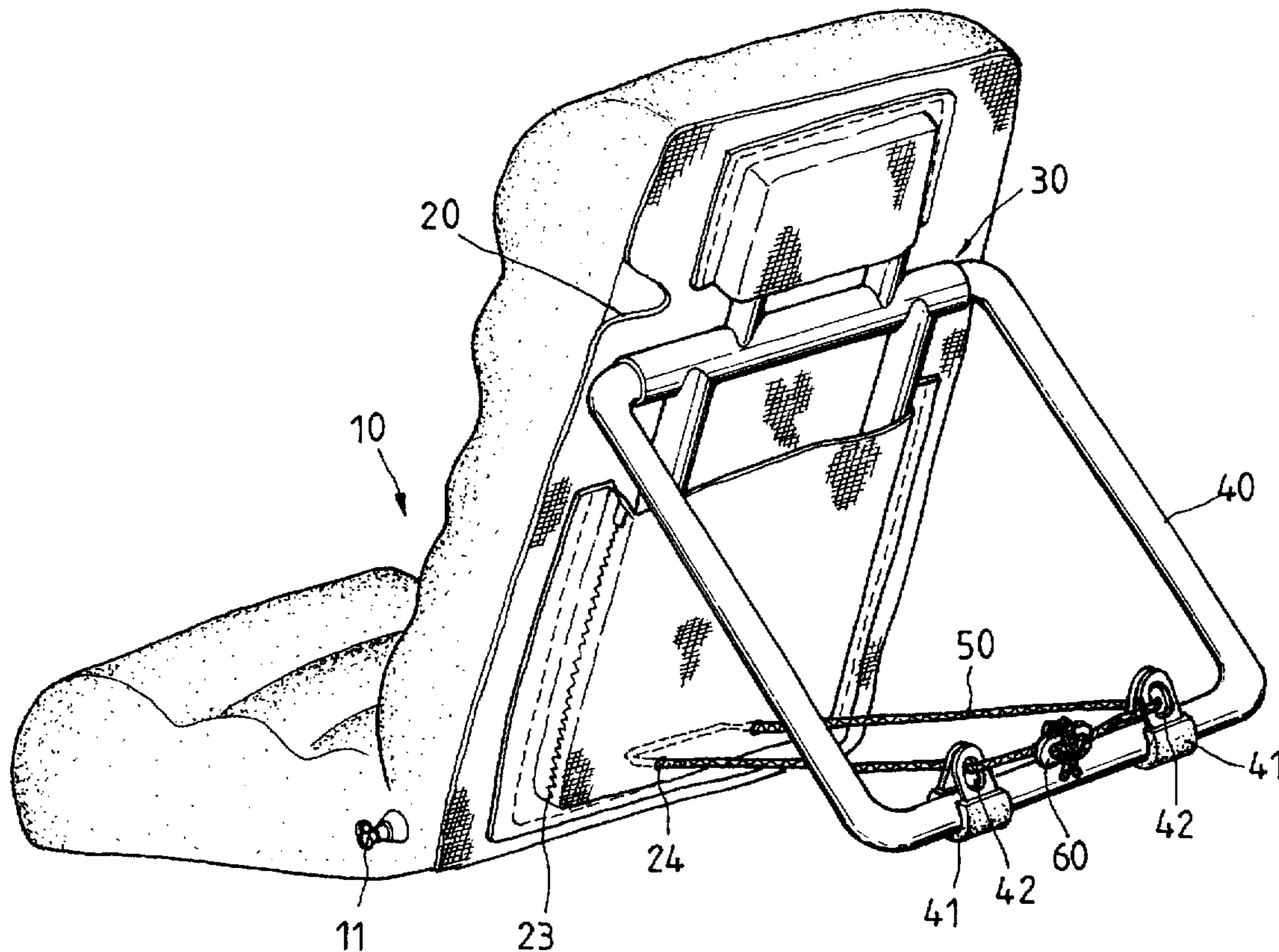
FIG. 1 is a perspective view of seat frame for suitcase showing my design;
FIG. 2 is a front elevational view thereof;
FIG. 3 is a rear elevational view thereof;
FIG. 4 is a left side elevational view thereof;
FIG. 5 is a right side elevational view thereof;
FIG. 6 is a top plan view thereof; and,
FIG. 7 is a bottom plan view thereof; and,
FIG. 8 is an exploded perspective view thereof.

[56] **References Cited**

U.S. PATENT DOCUMENTS

D. 370,997 6/1996 Hsieh D3/315 X
4,743,038 5/1988 Myers et al. 190/18 A X
5,024,455 6/1991 Schrecongost 190/18 A X

1 Claim, 5 Drawing Sheets



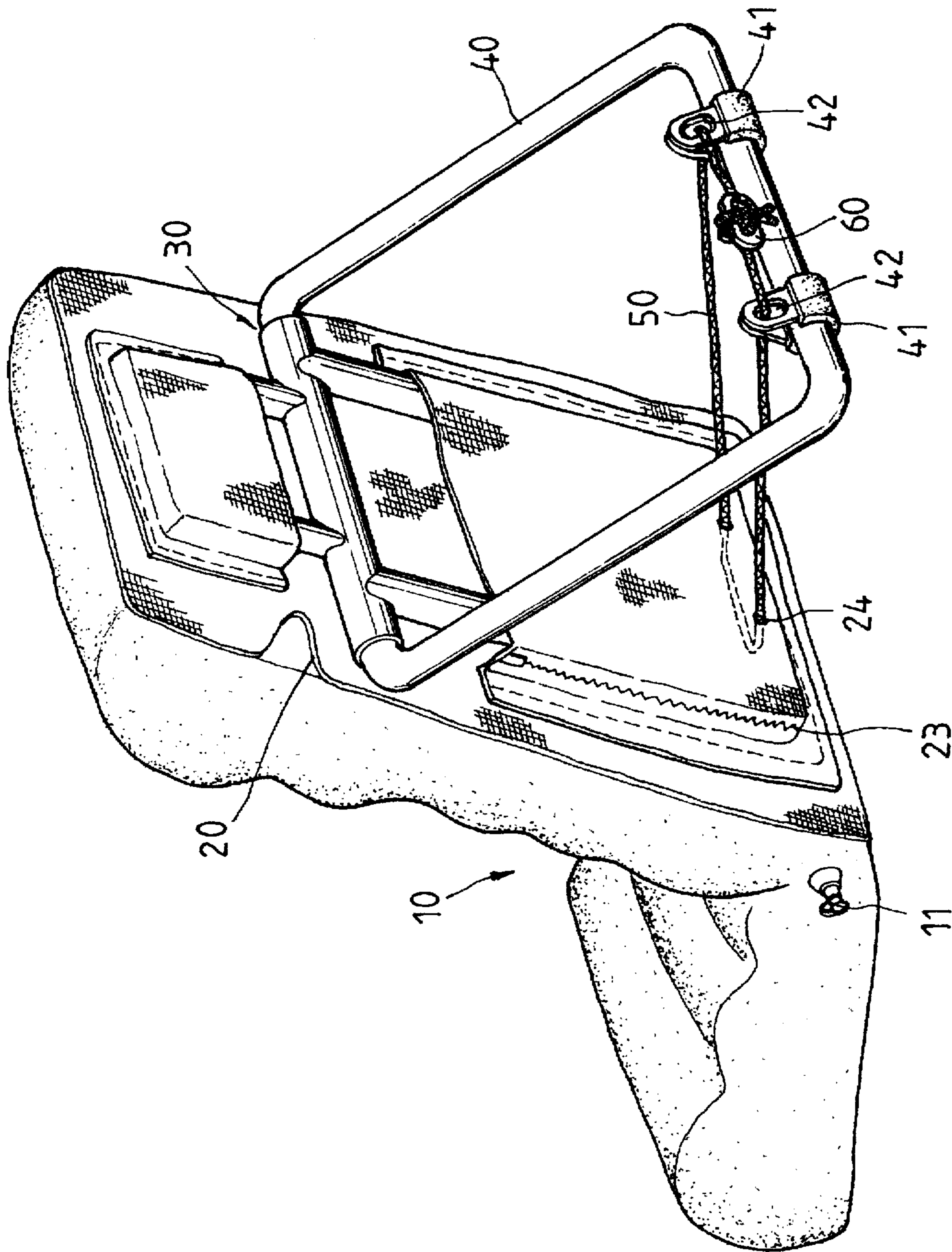


FIG. 1

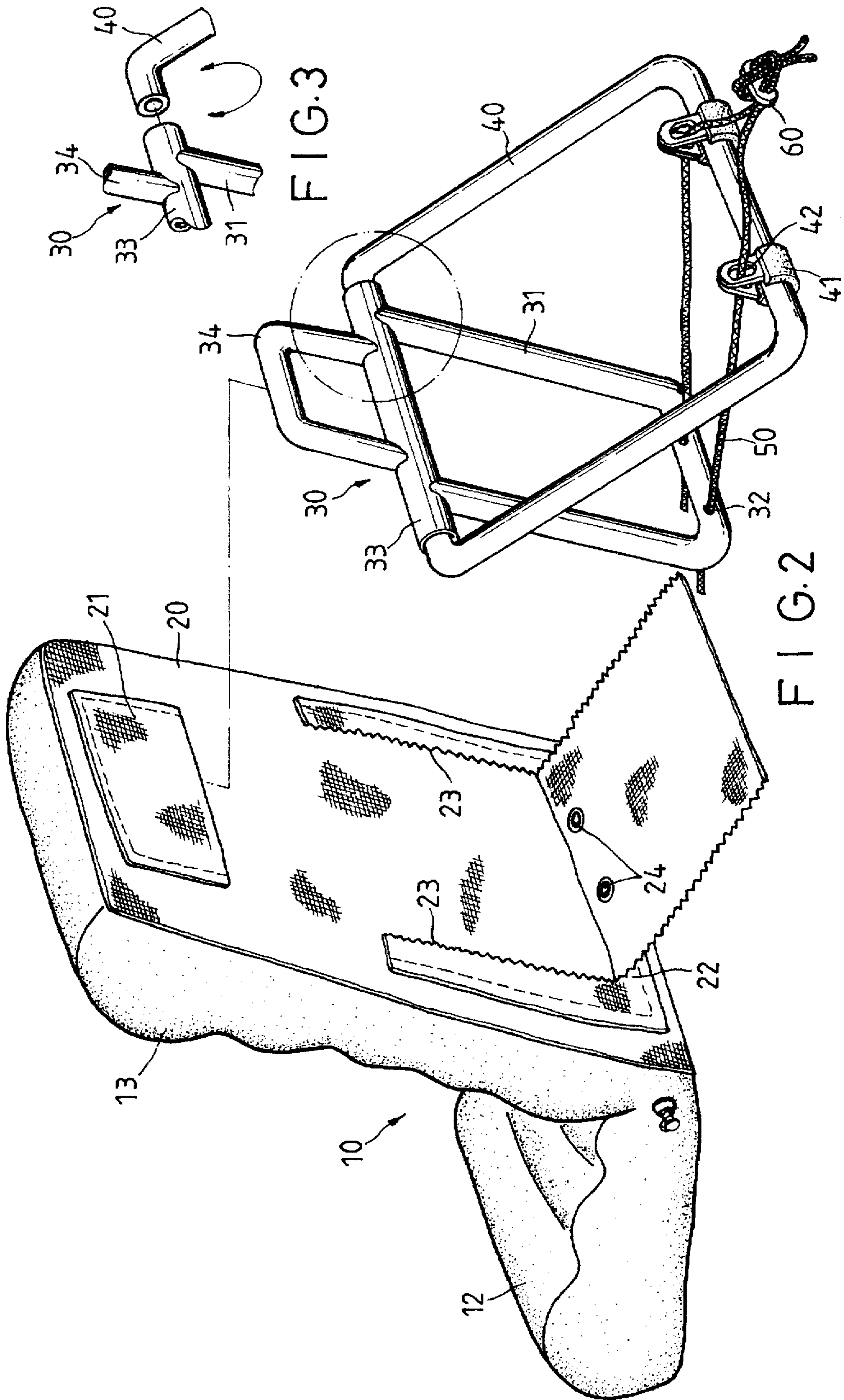


FIG. 3

FIG. 2

FIG. 3.3

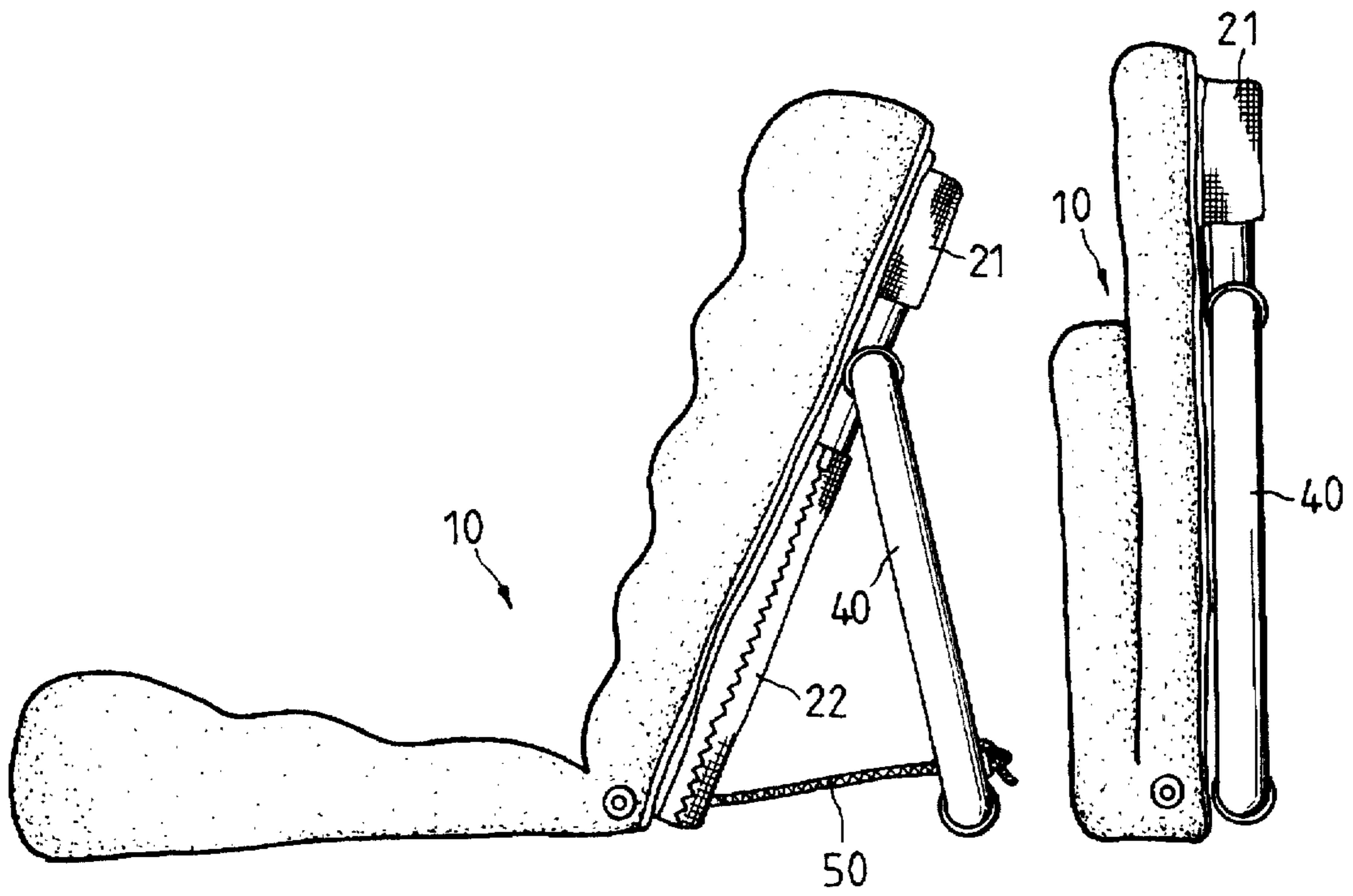


FIG. 4

FIG. 6

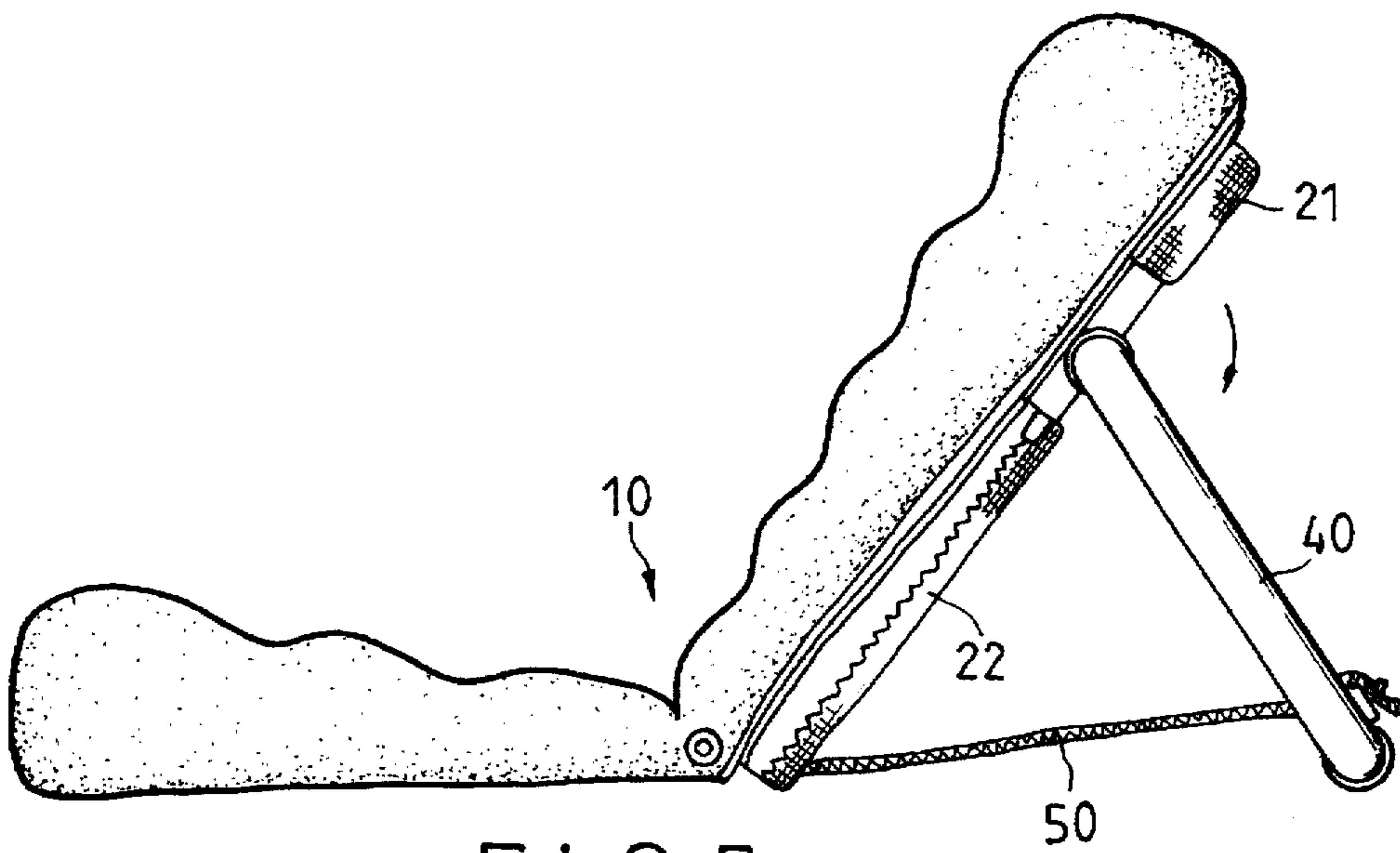


FIG. 5

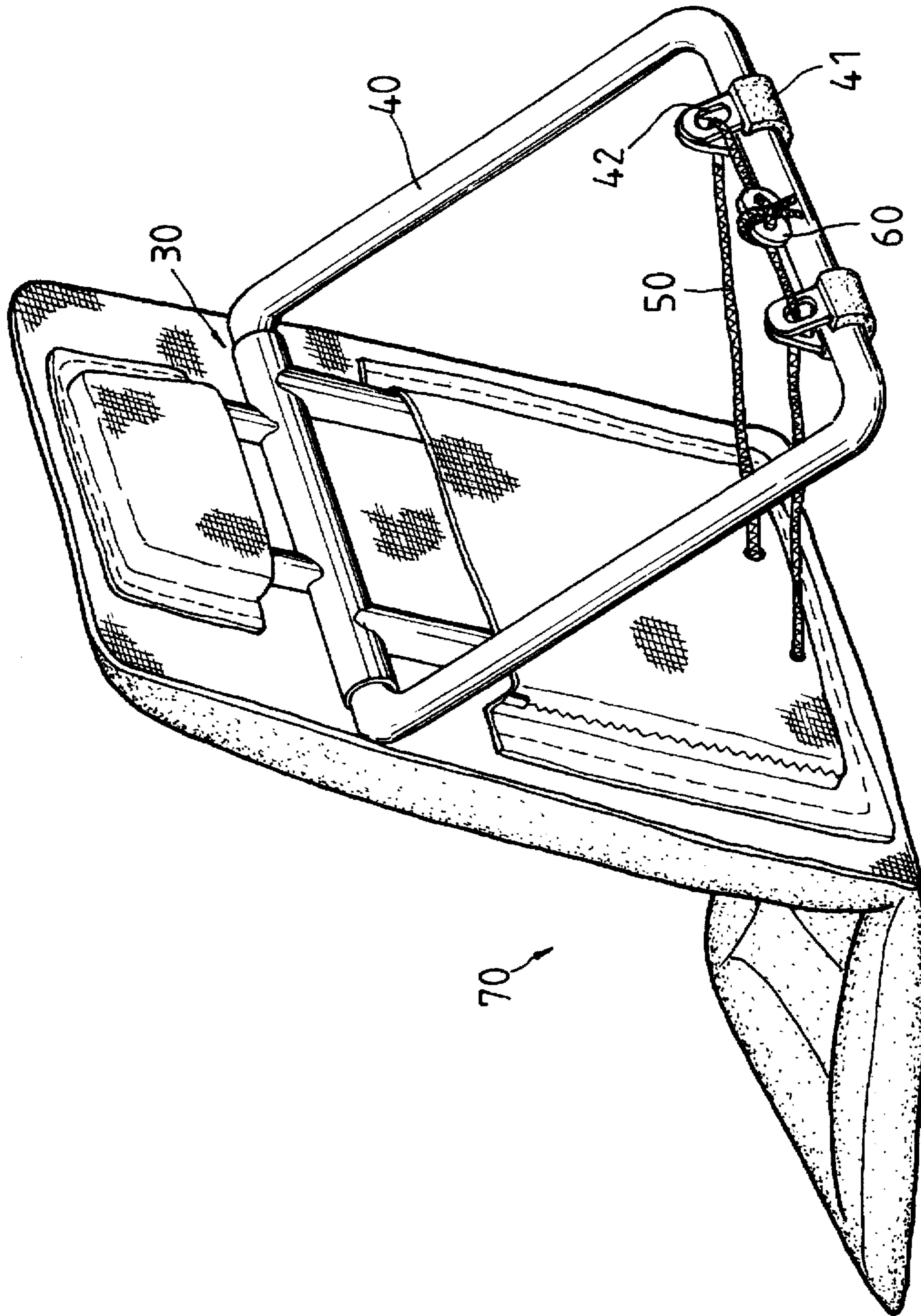


FIG. 7

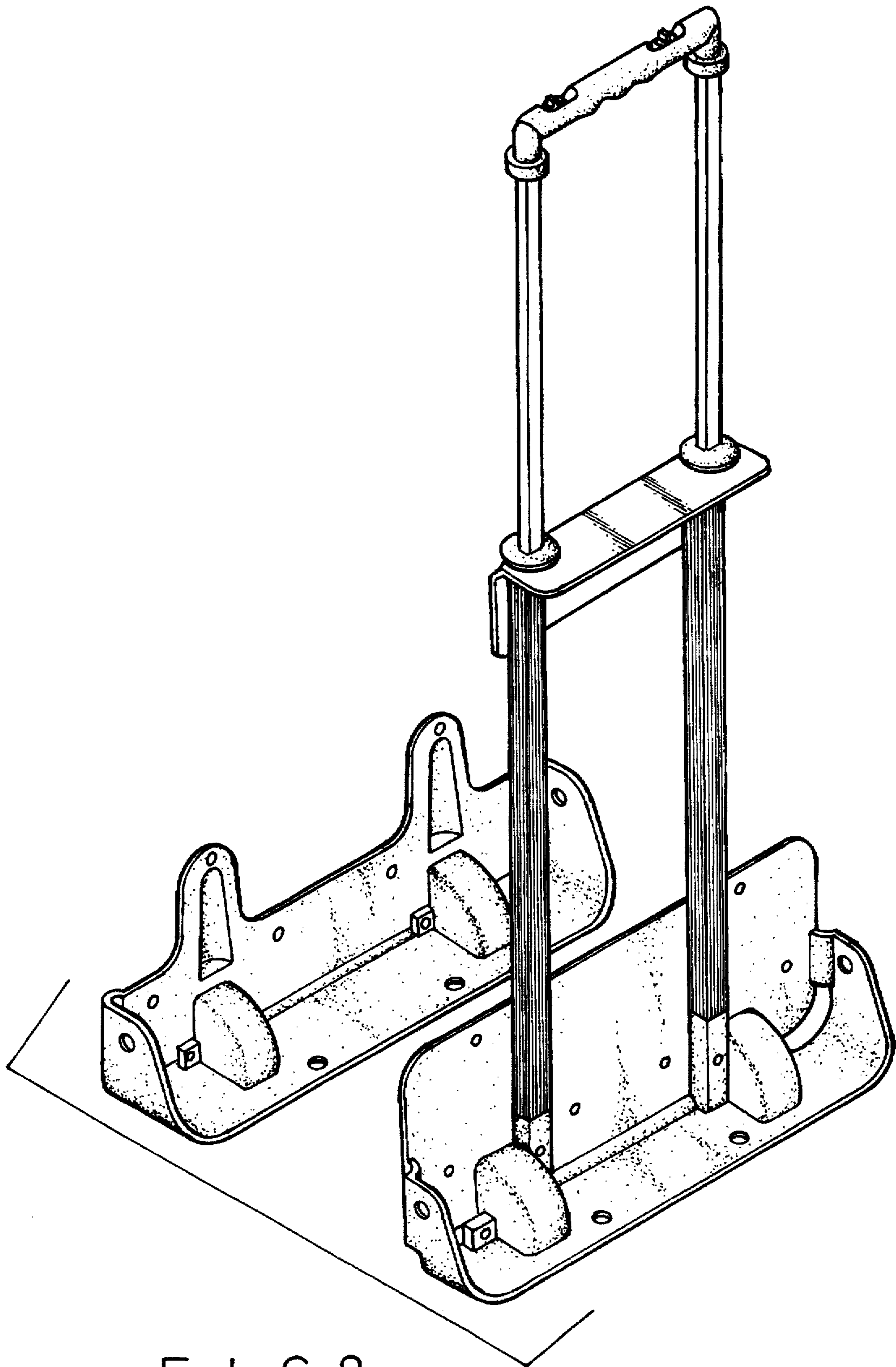


FIG. 8