



US00D386307S

# United States Patent [19]

Naas et al.

[11] Patent Number: **Des. 386,307**

[45] Date of Patent: **\*\*Nov. 18, 1997**

[54] **PORTABLE SECURITY CASE**

[75] Inventors: **Robert L. Naas, Skaneateles; Mark A. Ferguson, Jamesville, both of N.Y.**

[73] Assignee: **John D. Brush & Co., Inc., Rochester, N.Y.**

[\*\*] Term: **14 Years**

[21] Appl. No.: **55,841**

[22] Filed: **Jun. 13, 1996**

4,474,116 10/1984 Castenada, Jr. et al. .... 70/63  
 4,573,332 3/1986 Ma .  
 4,667,491 5/1987 Lokken et al. .  
 4,972,690 11/1990 O'Sullivan ..... 70/63  
 4,987,836 1/1991 Owen ..... 70/63  
 5,009,088 4/1991 Cislo ..... 70/63

### OTHER PUBLICATIONS

Service Merchandise Catalog, 1995, p. 421 Sentry Fire Safes.

*Primary Examiner*—Philip S. Hyder  
*Attorney, Agent, or Firm*—Eugene Stephens & Associates

### Related U.S. Application Data

[62] Division of Ser. No. 35,857, Mar. 8, 1995, Pat. No. Des. 376,691.

[51] LOC (6) Cl. .... **03-01**

[52] U.S. Cl. .... **D3/294; D3/273; D3/274; D99/28**

[58] Field of Search ..... **D3/273, 274, 294, D3/900; D99/28; 70/63, 30; 190/101; 109/1 R, 45; 206/444, 425**

### [57] CLAIM

The ornamental design for a portable security case, as shown and described.

### DESCRIPTION

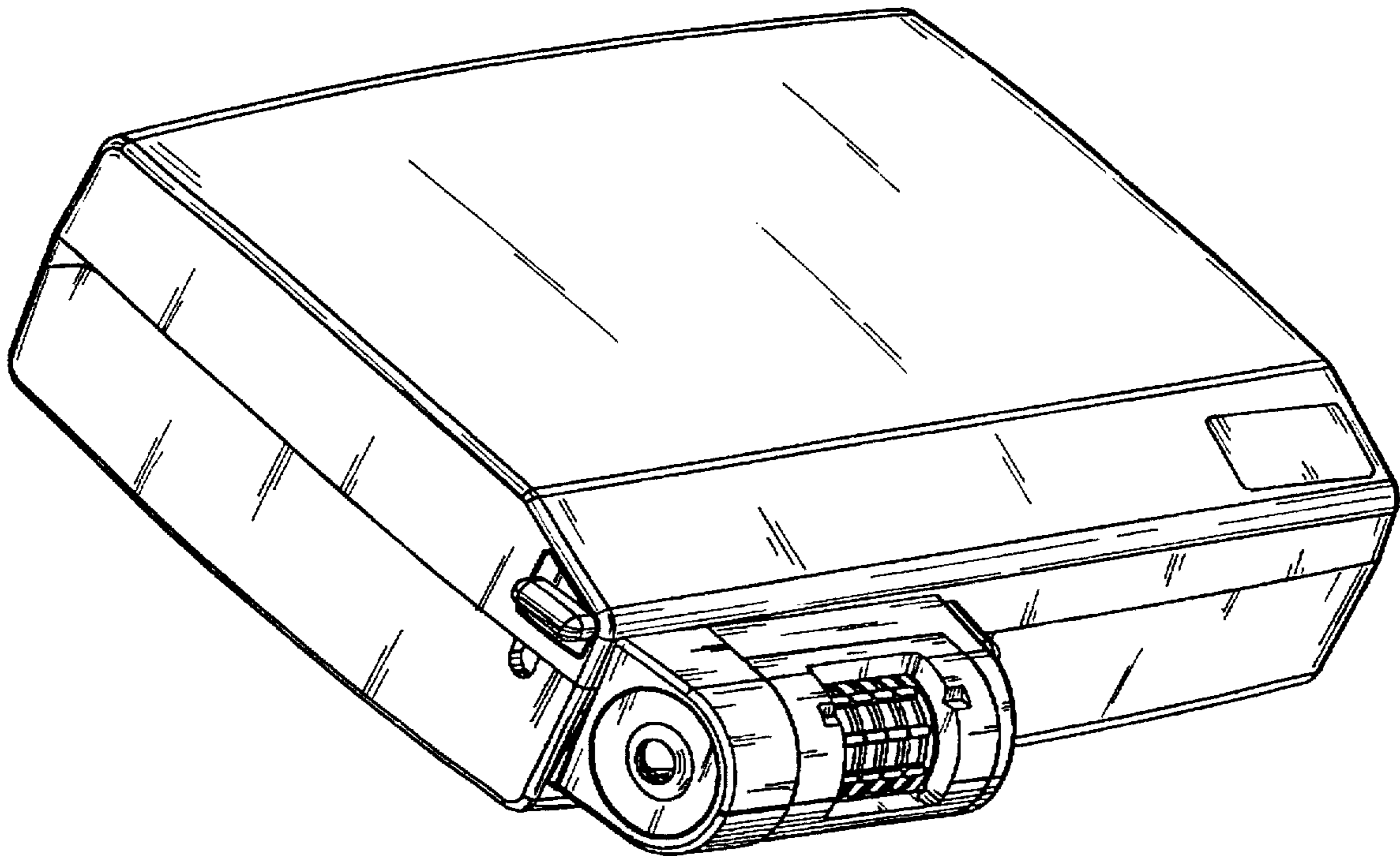
FIG. 1 is an isometric oblique left frontal view;  
 FIG. 2 is an isometric oblique right frontal view;  
 FIG. 3 is a top view;  
 FIG. 4 is a front elevational view;  
 FIG. 5 is a bottom view;  
 FIG. 6 is a left side elevational view;  
 FIG. 7 is a right side elevational view;  
 FIG. 8 is a rear elevational view;  
 FIG. 9 is an isometric oblique left frontal view with the case opened; and,  
 FIG. 10 is an isometric oblique right frontal view with the case opened.

### [56] References Cited

#### U.S. PATENT DOCUMENTS

D. 272,292 1/1984 Campbell ..... D99/28  
 2,512,028 6/1950 MacMillan ..... 70/63  
 3,204,436 9/1965 Nemsy ..... 70/63  
 3,867,823 2/1975 Waltower ..... 70/63  
 3,988,909 11/1976 Catapano ..... 70/63

**1 Claim, 10 Drawing Sheets**



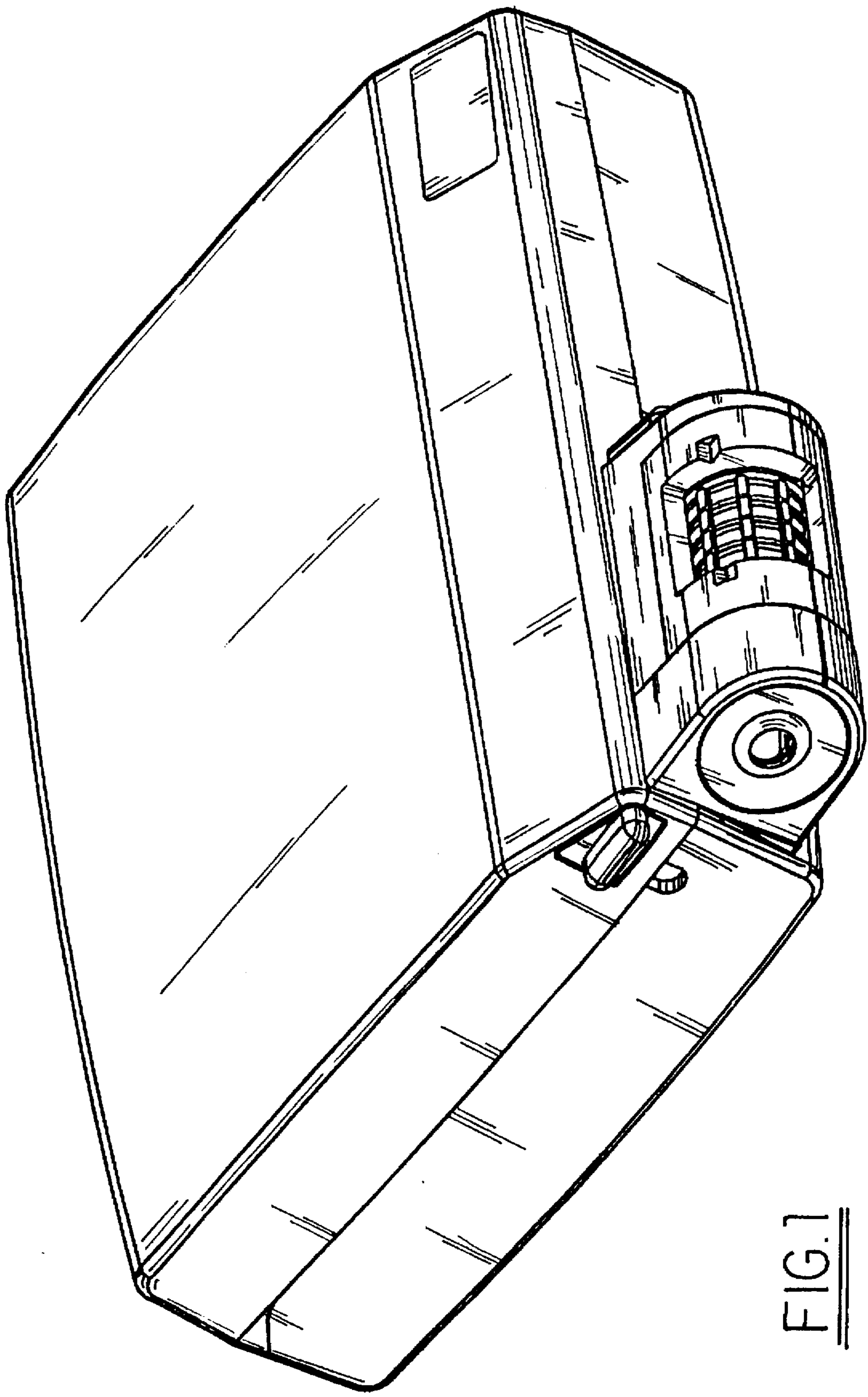


FIG. 1

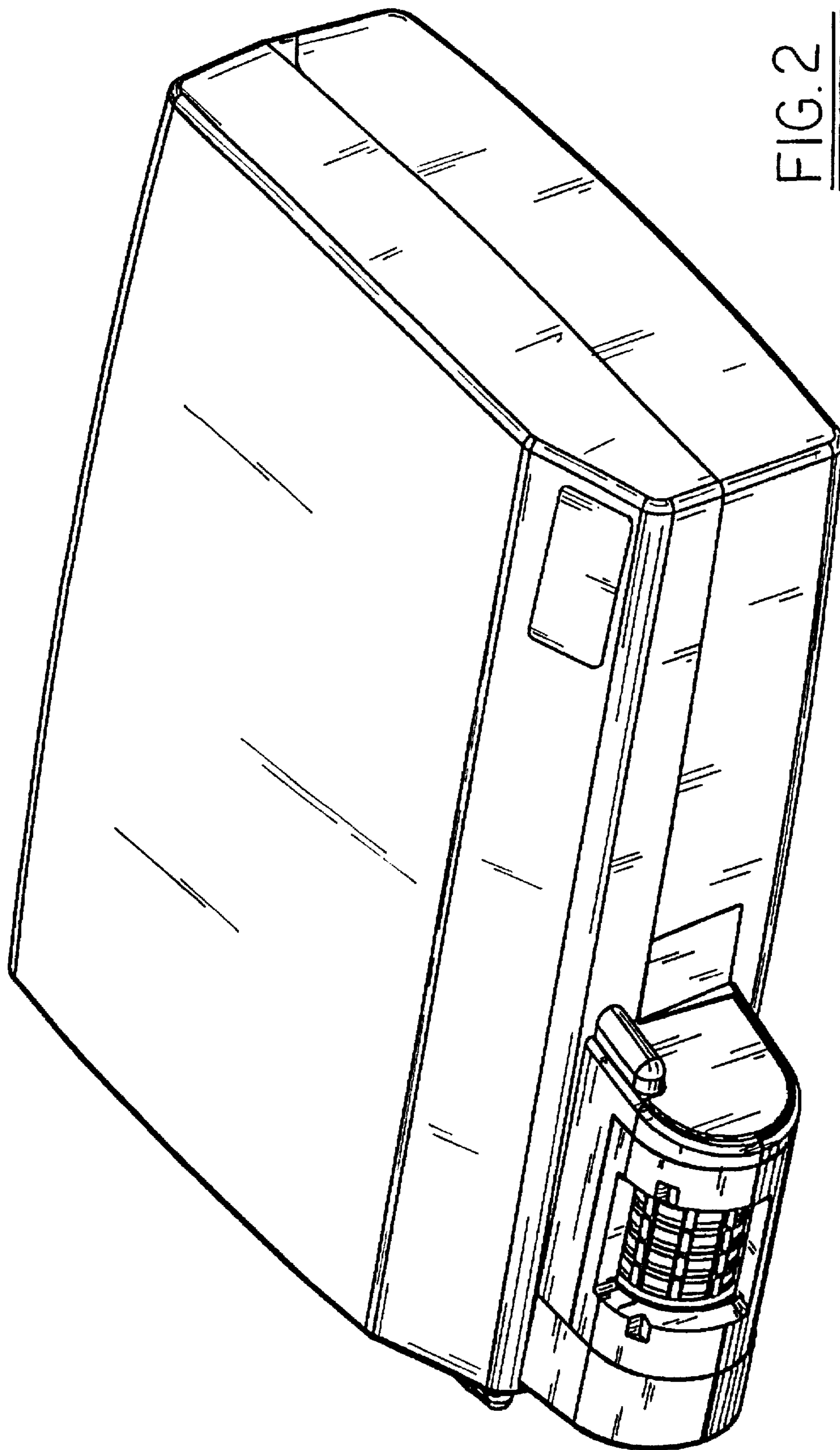


FIG. 2

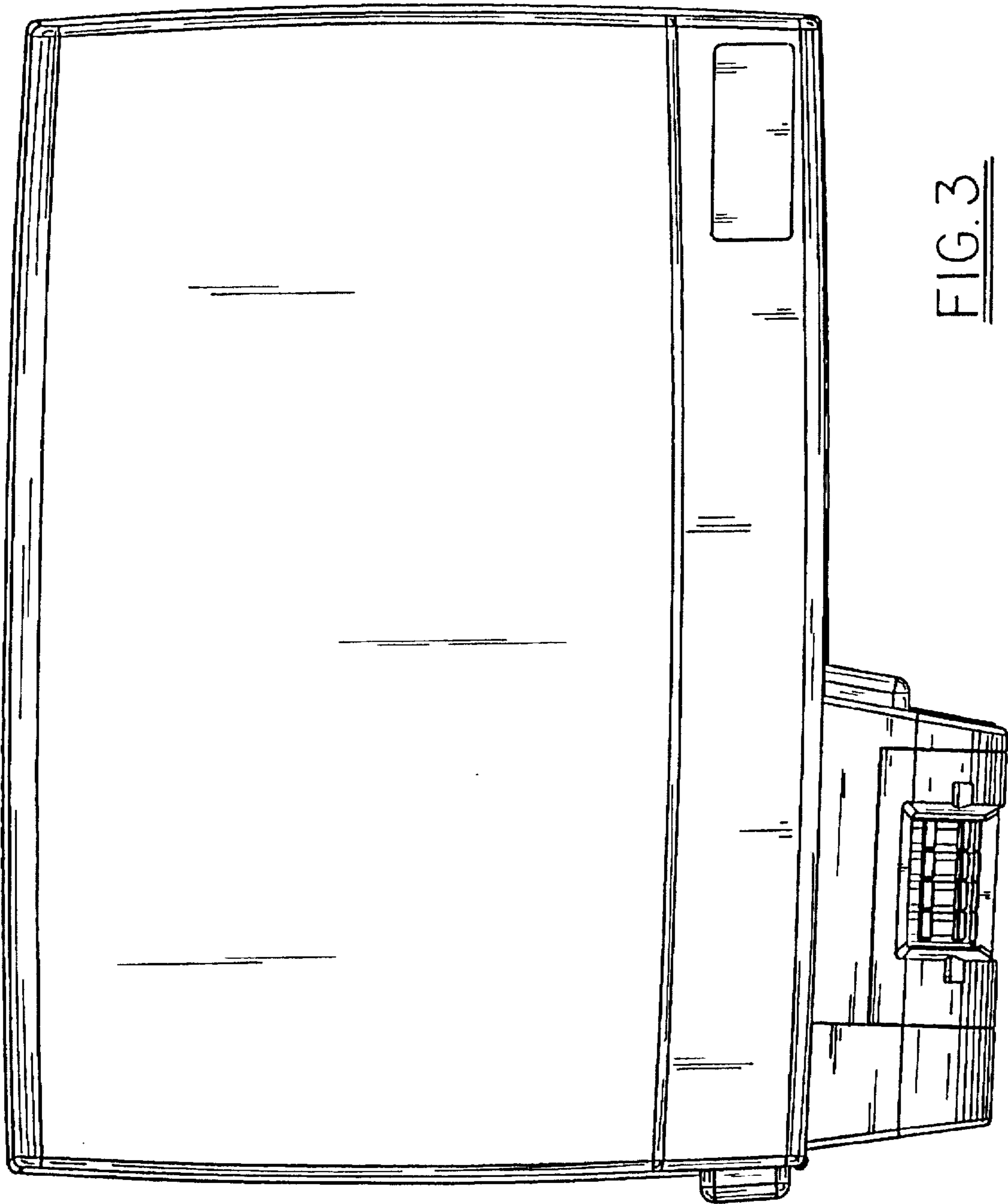


FIG. 3

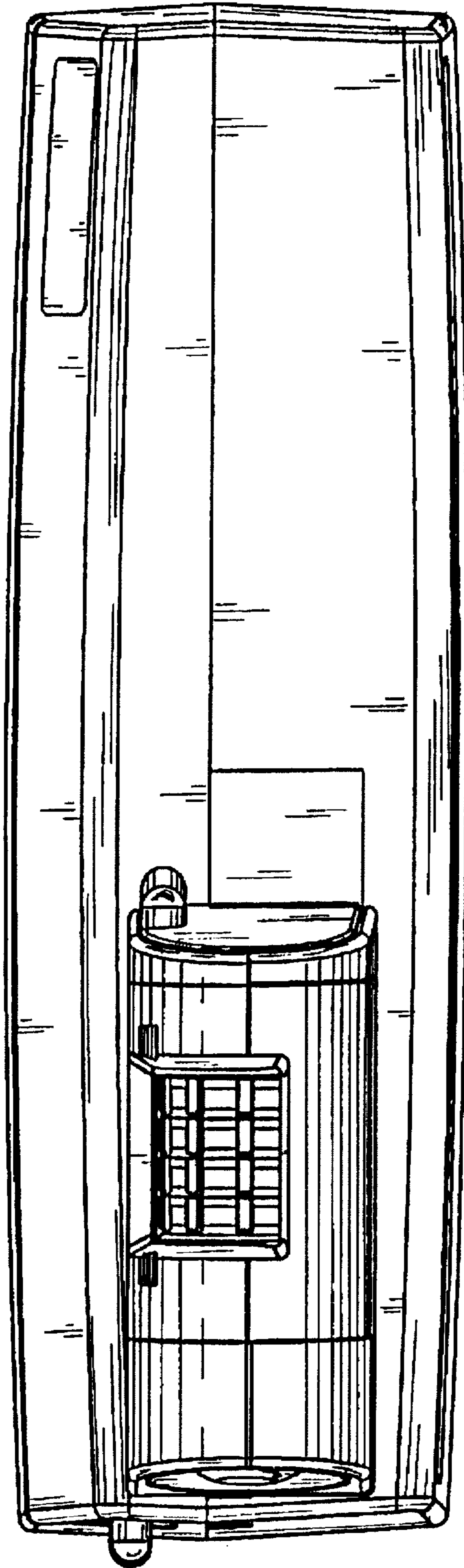
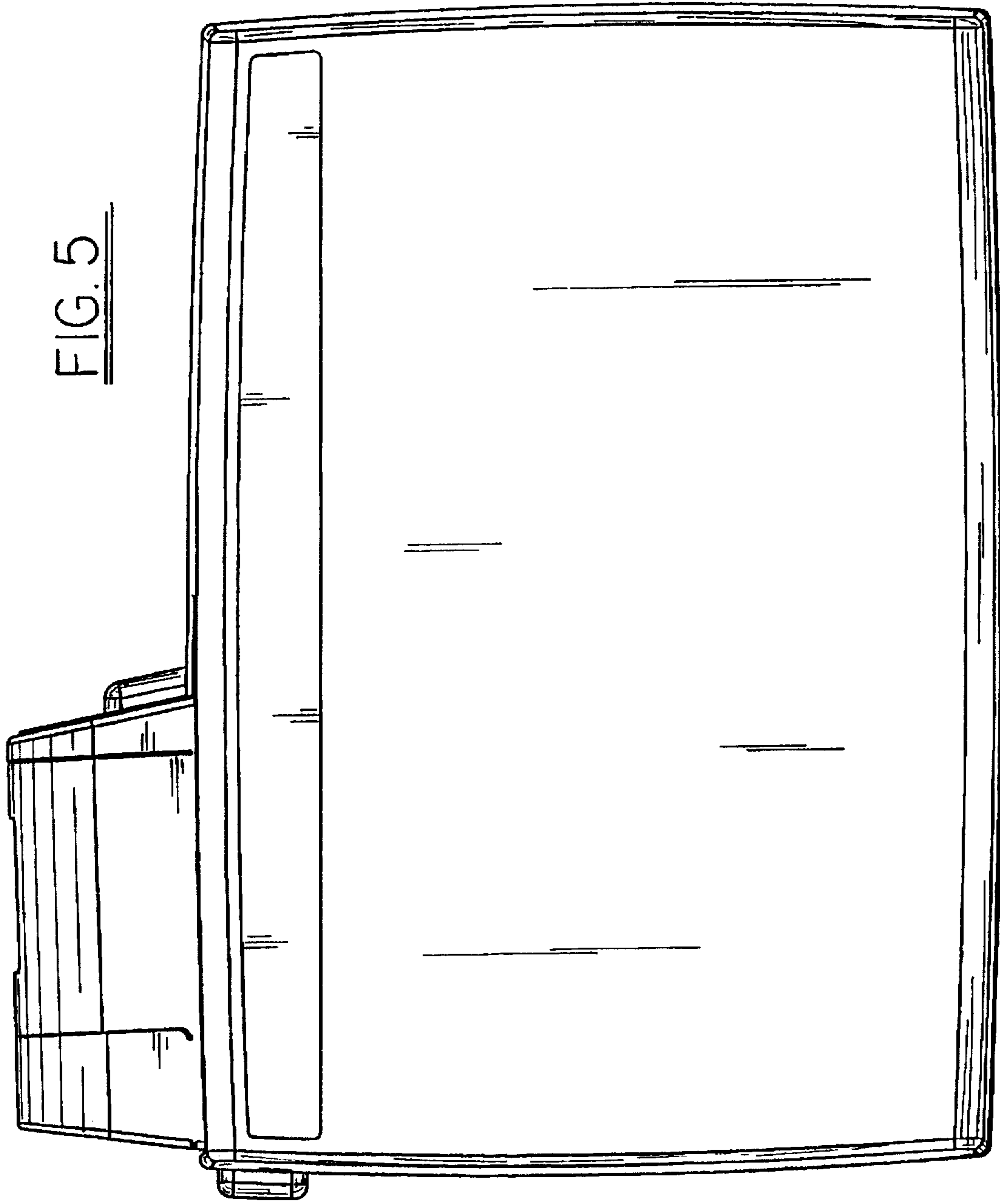


FIG. 4

FIG. 5



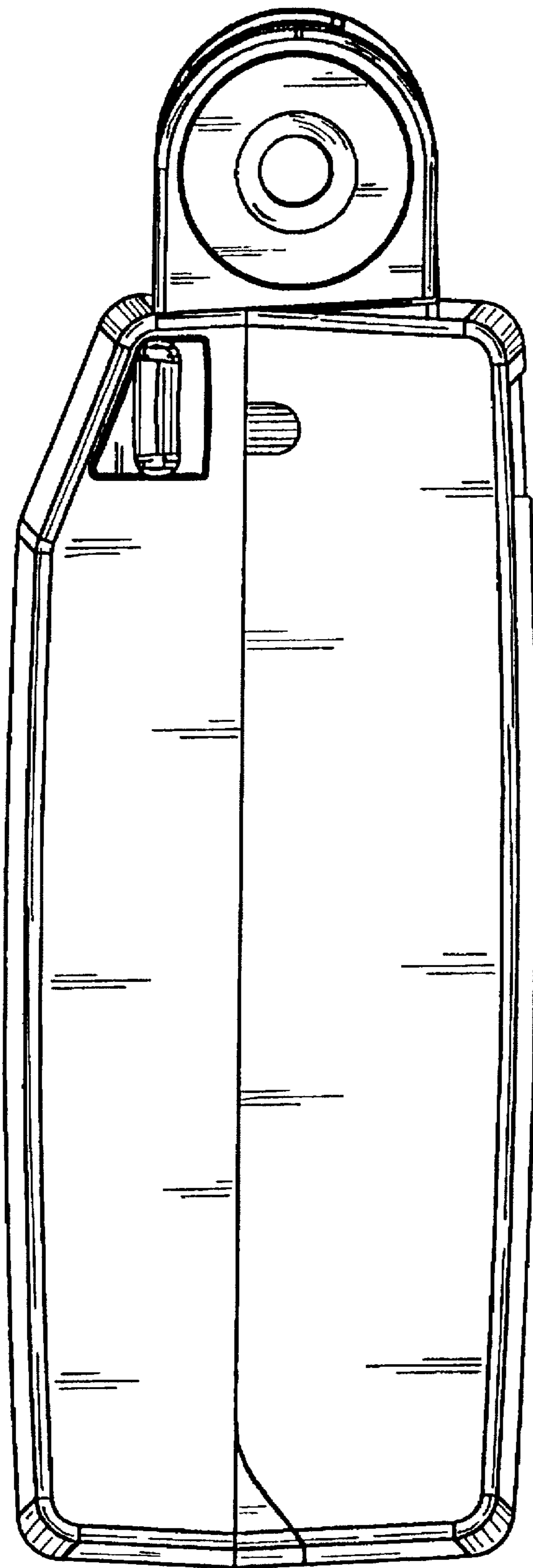


FIG. 6

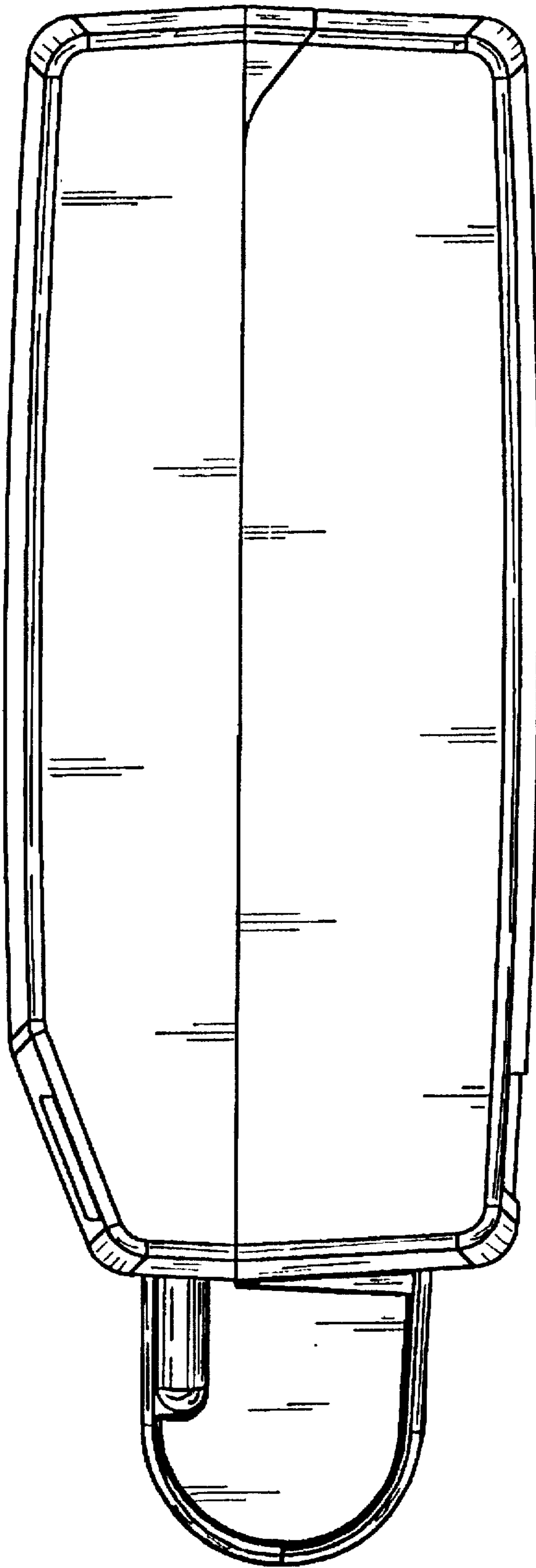


FIG. 7



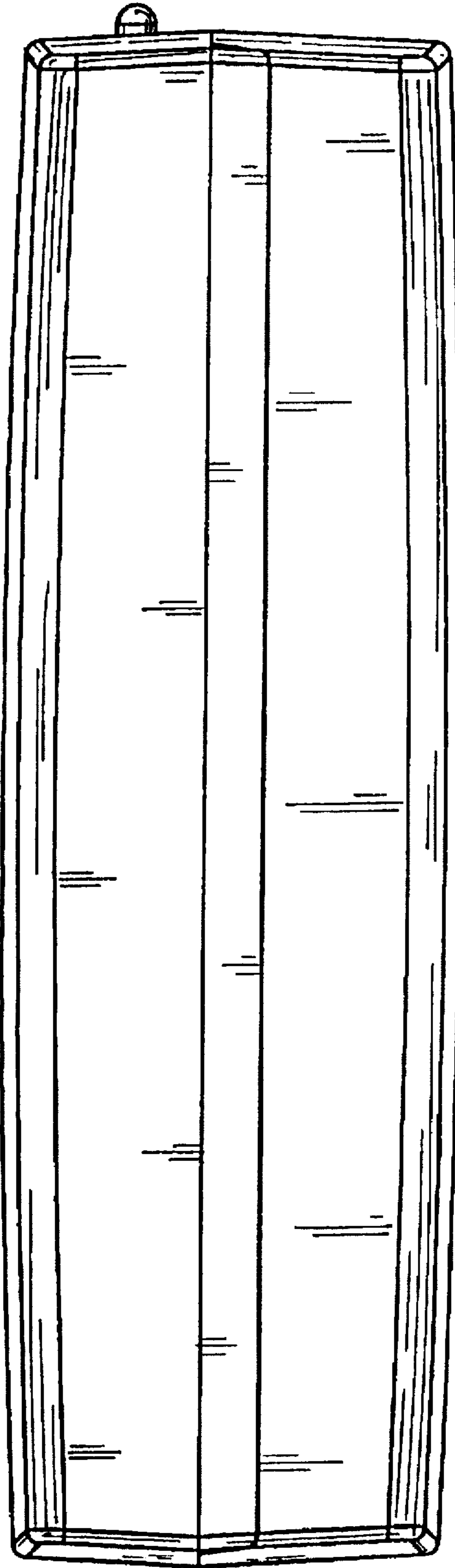


FIG. 8

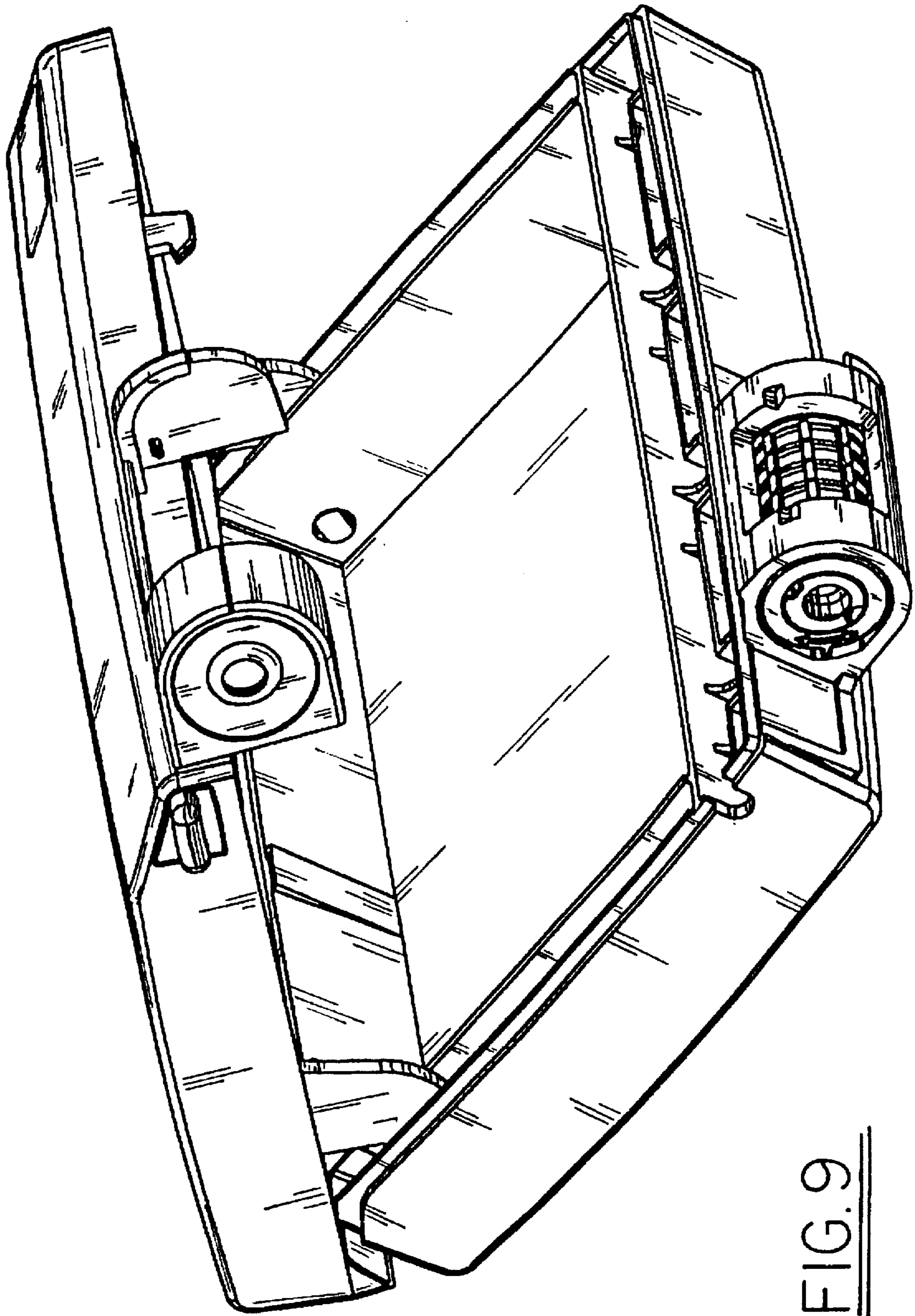


FIG. 9

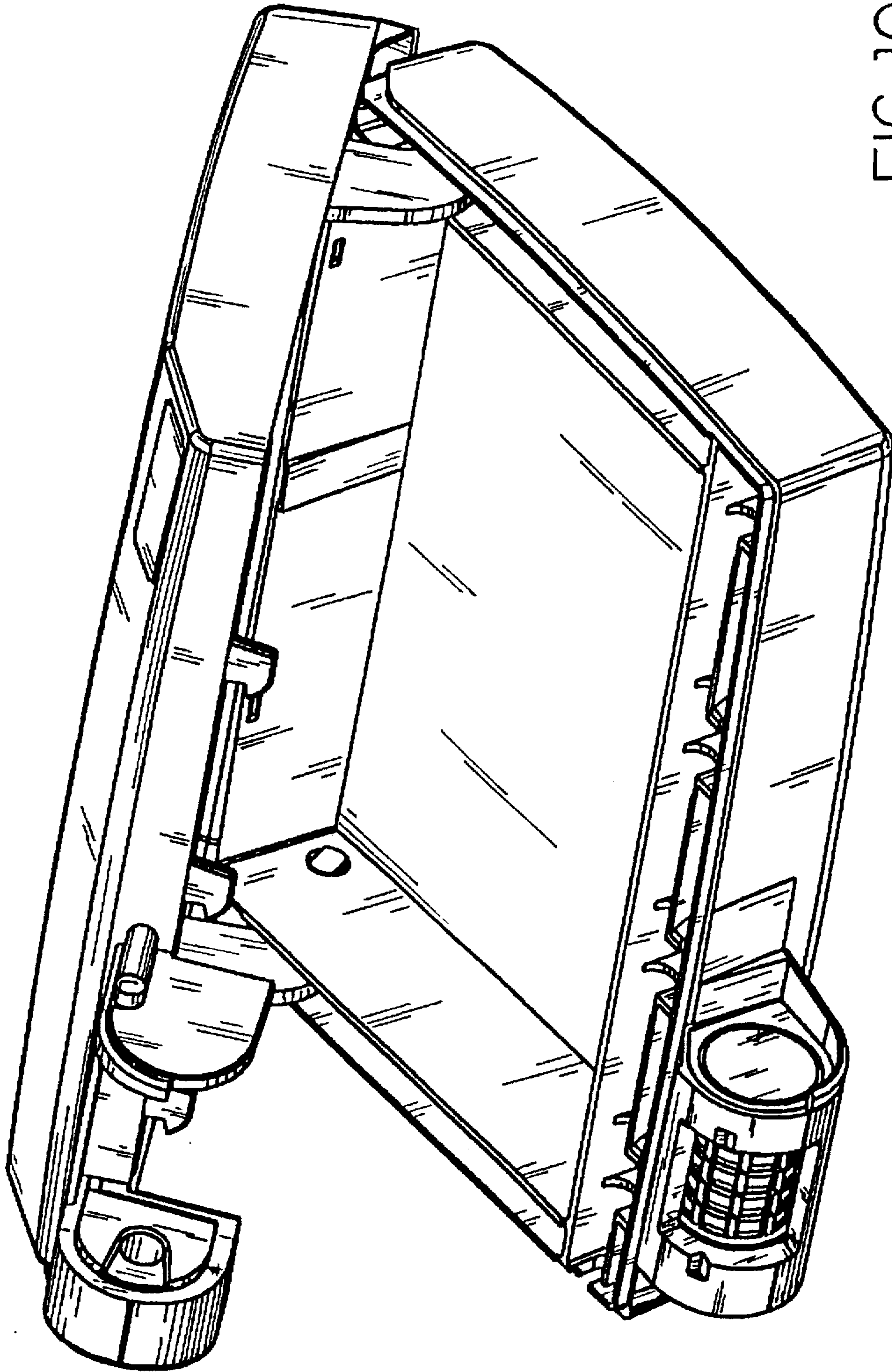


FIG. 10