

US00D386302S

**United States Patent** [19]  
**Taylor**

[11] **Patent Number: Des. 386,302**  
[45] **Date of Patent: \*\*Nov. 18, 1997**

[54] **BUSINESS CARD CASE**  
[76] **Inventor: Curtis Taylor, 10 N. Main St., Chagrin Falls, Ohio 44022**  
[\*\*] **Term: 14 Years**

5,080,223 1/1992 Mitsuyama .  
5,125,505 6/1992 Kurosaki .  
5,147,041 9/1992 Lemieux et al. .... 206/815 X  
5,193,672 3/1993 Long .  
5,275,285 1/1994 Clegg .  
5,285,897 2/1994 Ozaki ..... 206/815 X

[21] **Appl. No.: 61,137**  
[22] **Filed: Oct. 16, 1996**  
[51] **LOC (6) Cl. .... 03-01**  
[52] **U.S. Cl. .... D3/247; D3/201**  
[58] **Field of Search .... D3/201, 206, 247; D9/305, 415; 24/3.5; 190/903; 206/37 R, 39, 214, 308.1, 815; 224/220, 269; 383/4; 150/147; 220/345, 346**

**FOREIGN PATENT DOCUMENTS**

1021 1/1904 United Kingdom ..... 150/147  
9401331 1/1994 WIPO ..... 206/815

*Primary Examiner*—Louis S. Zarfes  
*Assistant Examiner*—Monica A. Weingart  
*Attorney, Agent, or Firm*—Pearne, Gordon, McCoy & Granger LLP

[56] **References Cited**

**U.S. PATENT DOCUMENTS**

D. 200,180 1/1965 Korzaan ..... D9/415  
231,863 8/1880 Strattan .  
D. 260,054 8/1981 Morgan .  
D. 299,288 1/1989 Stafford .  
D. 307,670 5/1990 Nava .  
D. 338,336 8/1993 Grant .  
1,155,737 10/1915 Kinzie .  
1,537,244 5/1925 McCaghren .  
1,842,170 1/1932 Helfrich .  
2,020,797 11/1935 Pabst, Jr. .  
3,490,162 1/1970 Hill .  
4,113,098 9/1978 Howard ..... 220/345  
4,202,445 5/1980 Porter ..... 206/37  
4,259,568 3/1981 Dynesen .  
4,727,666 3/1988 Kyler .  
4,774,779 10/1988 Ackeret .  
4,792,058 12/1988 Parker .  
5,011,010 4/1991 Francis et al. .... 206/308.1  
5,038,926 8/1991 van der Toorn .

[57] **CLAIM**

The ornamental design for a business card case, as shown and described.

**DESCRIPTION**

FIG. 1 is a perspective view of a business card case showing the case in the open position, showing my new design; FIG. 2 is a right side elevational view thereof showing the case in the open position; FIG. 3 is a front plan view thereof showing the case in the open position; FIG. 4 is a top plan view thereof showing the case in the open position; FIG. 5 is a rear plan view thereof; FIG. 6 is a bottom plan view thereof; FIG. 7 is a perspective view from the front thereof showing the case in the closed position; and, FIG. 8 is a perspective view from the rear thereof showing the case in the closed position.

**1 Claim, 4 Drawing Sheets**

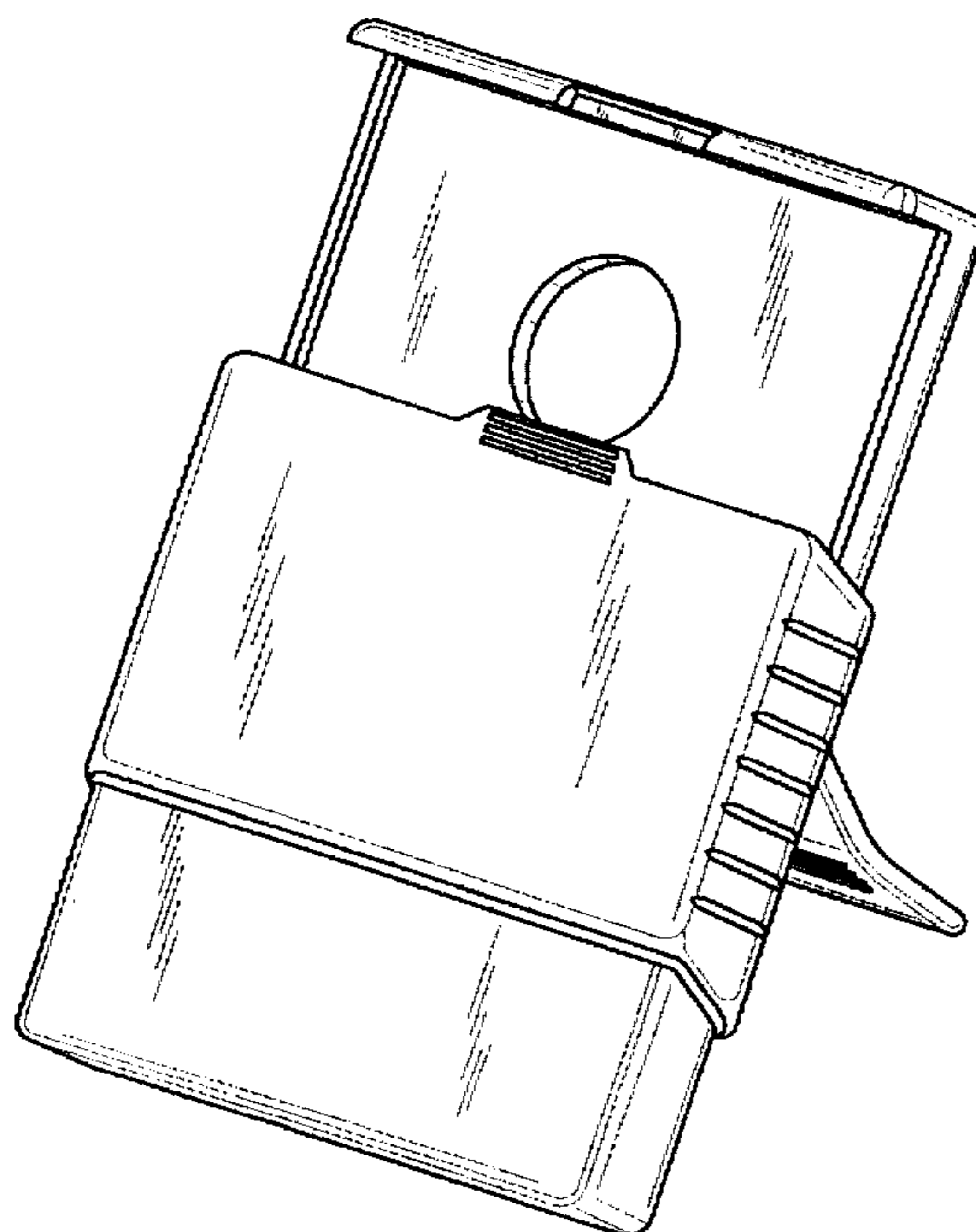
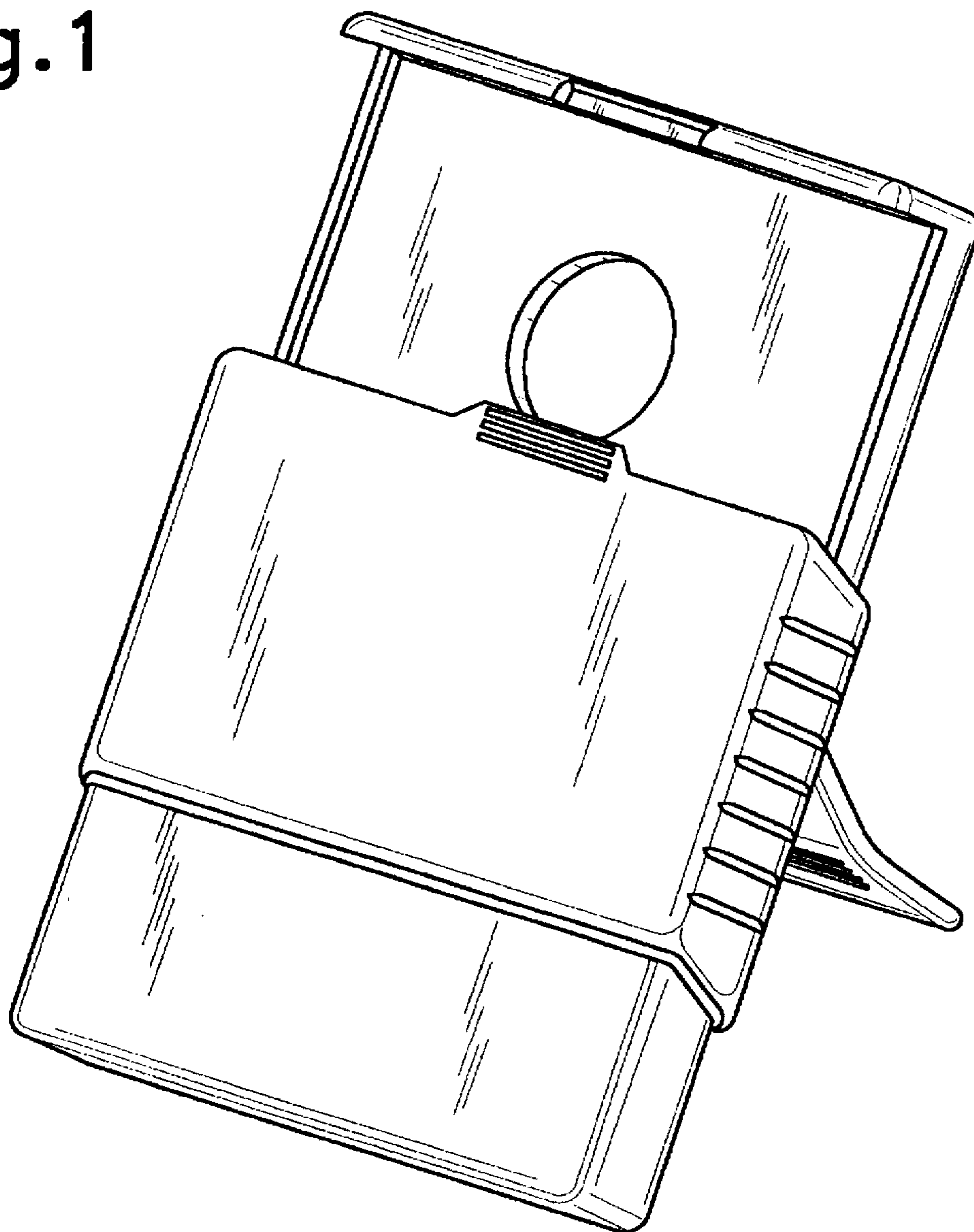


Fig. 1



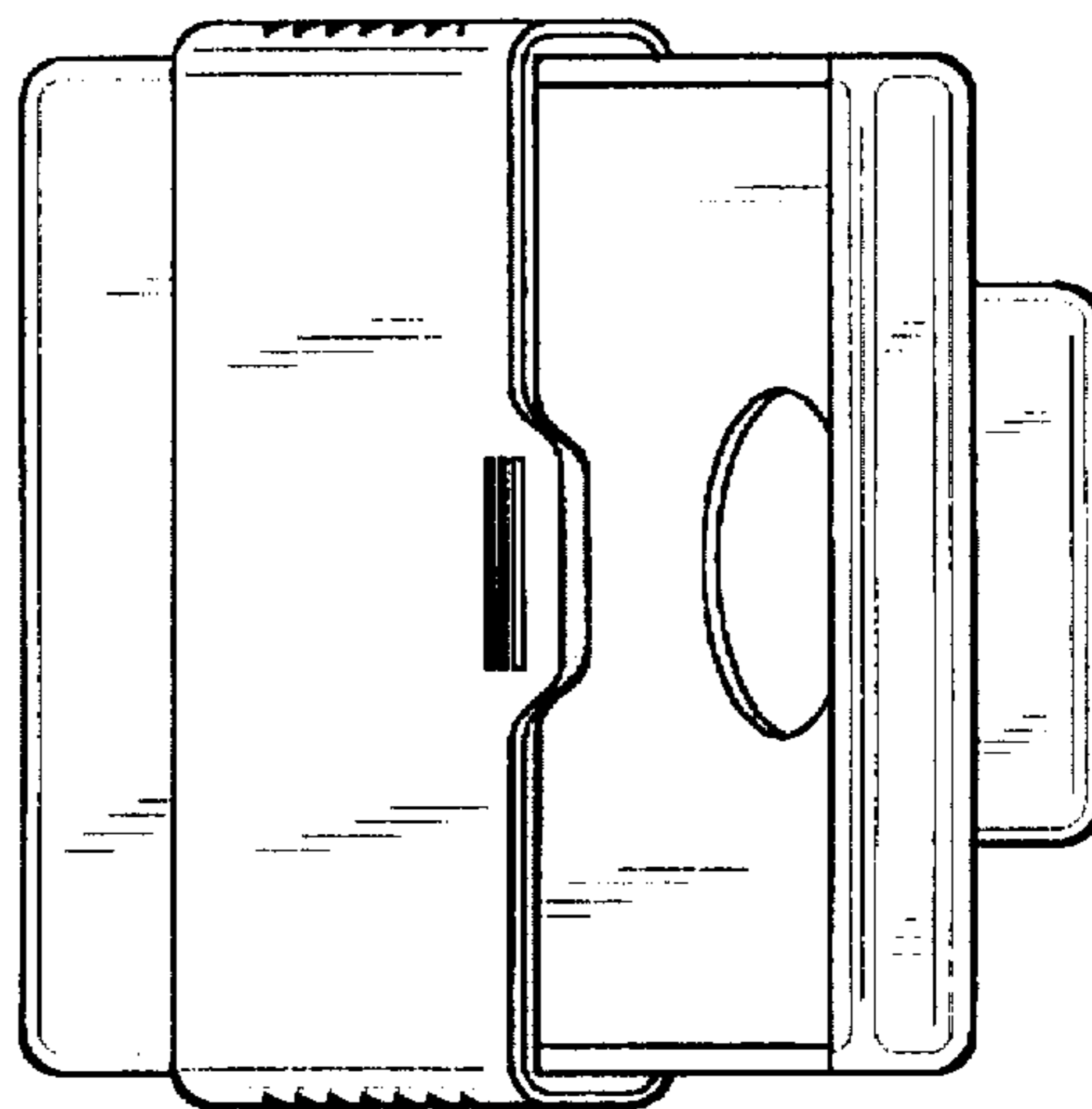


Fig. 4

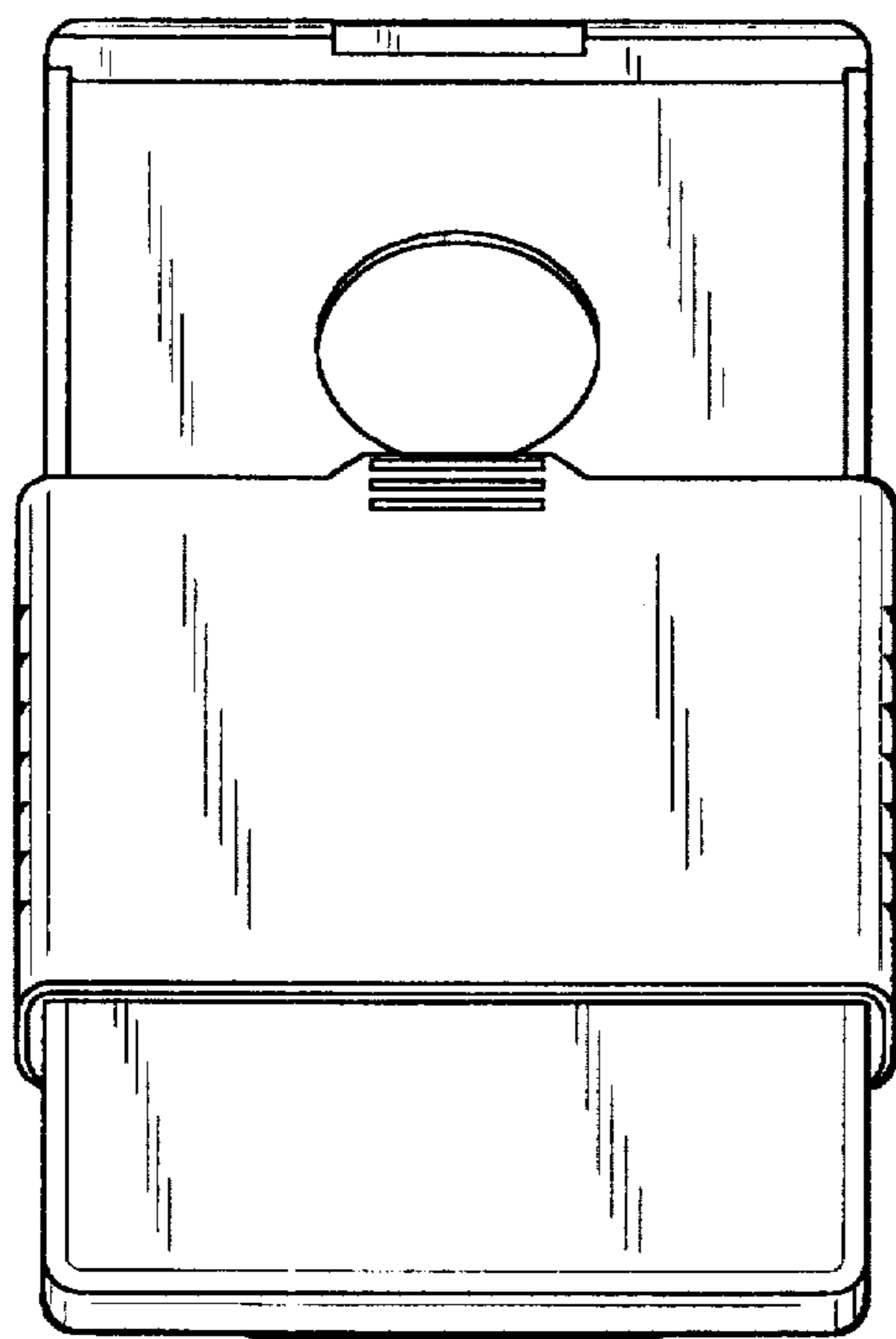


Fig. 3

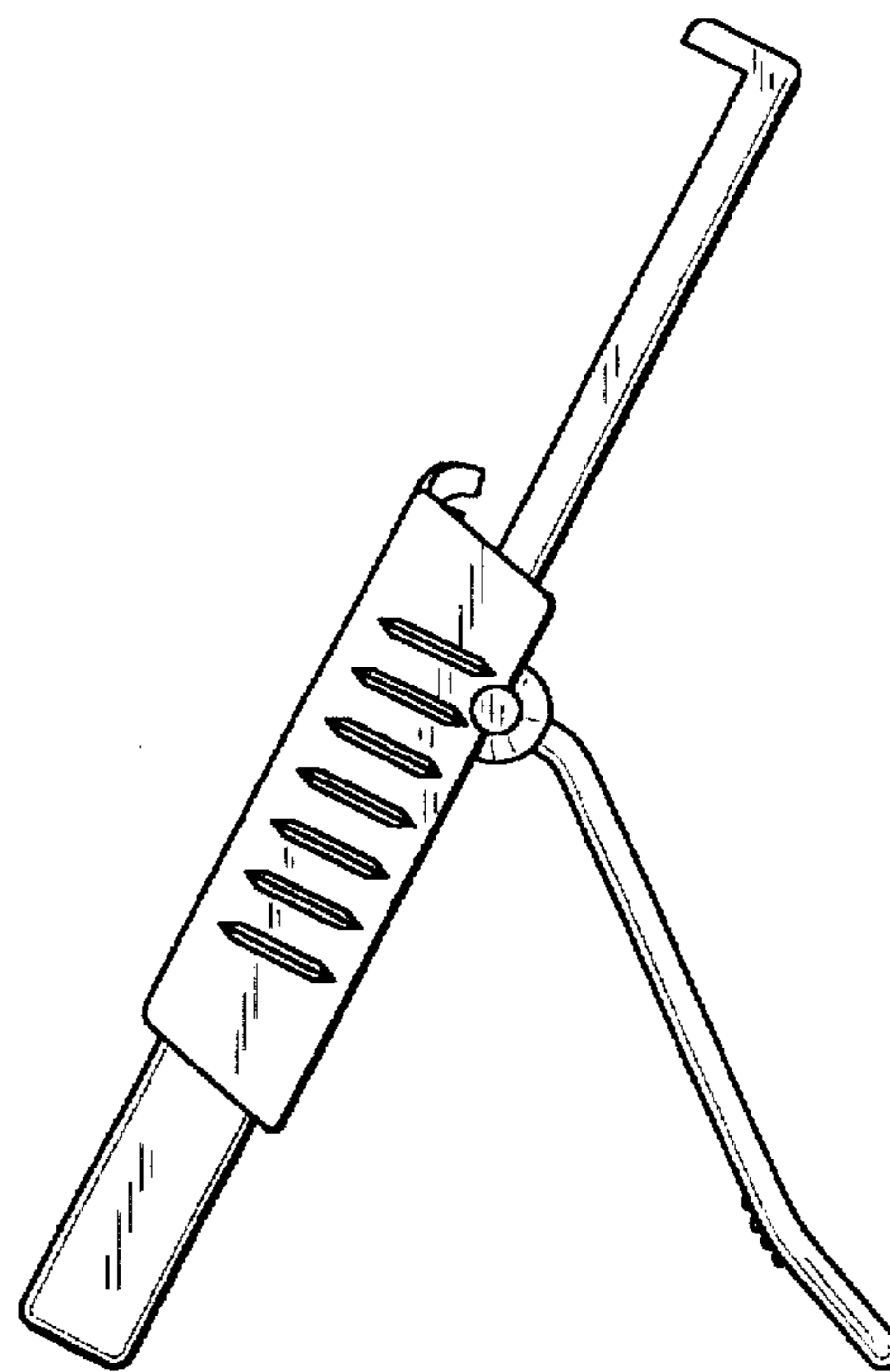


Fig. 2

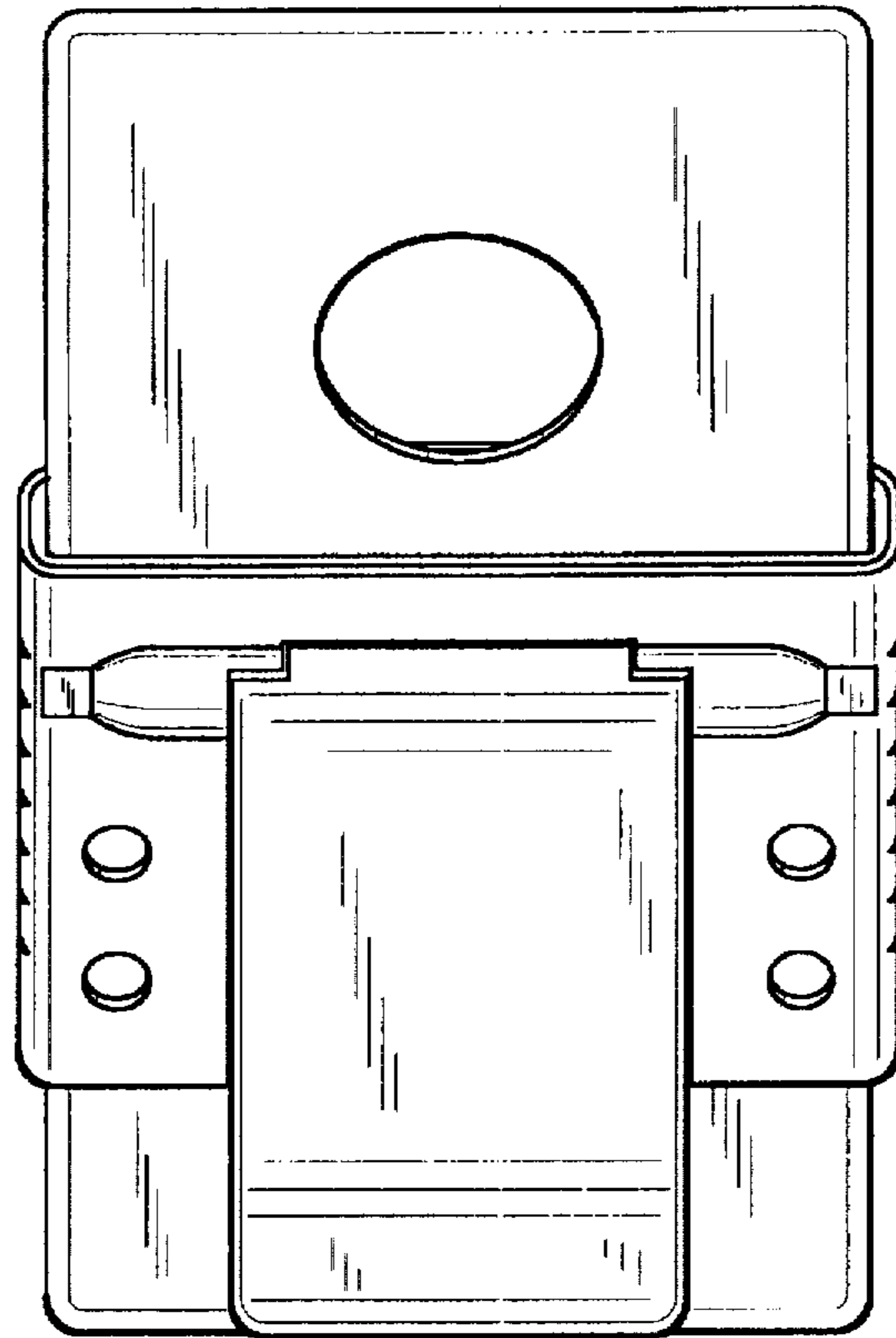


Fig. 5

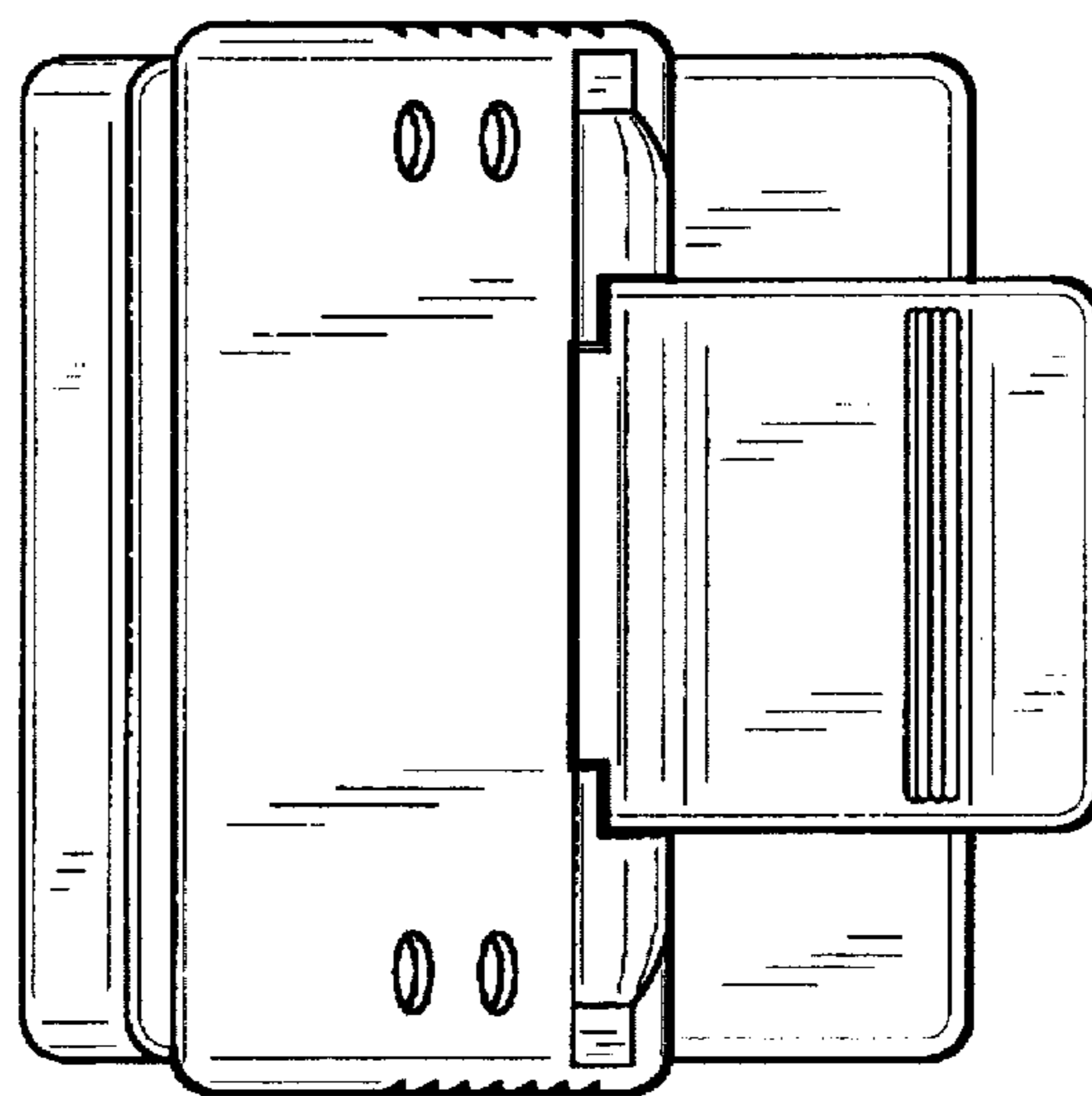


Fig. 6

Fig.7

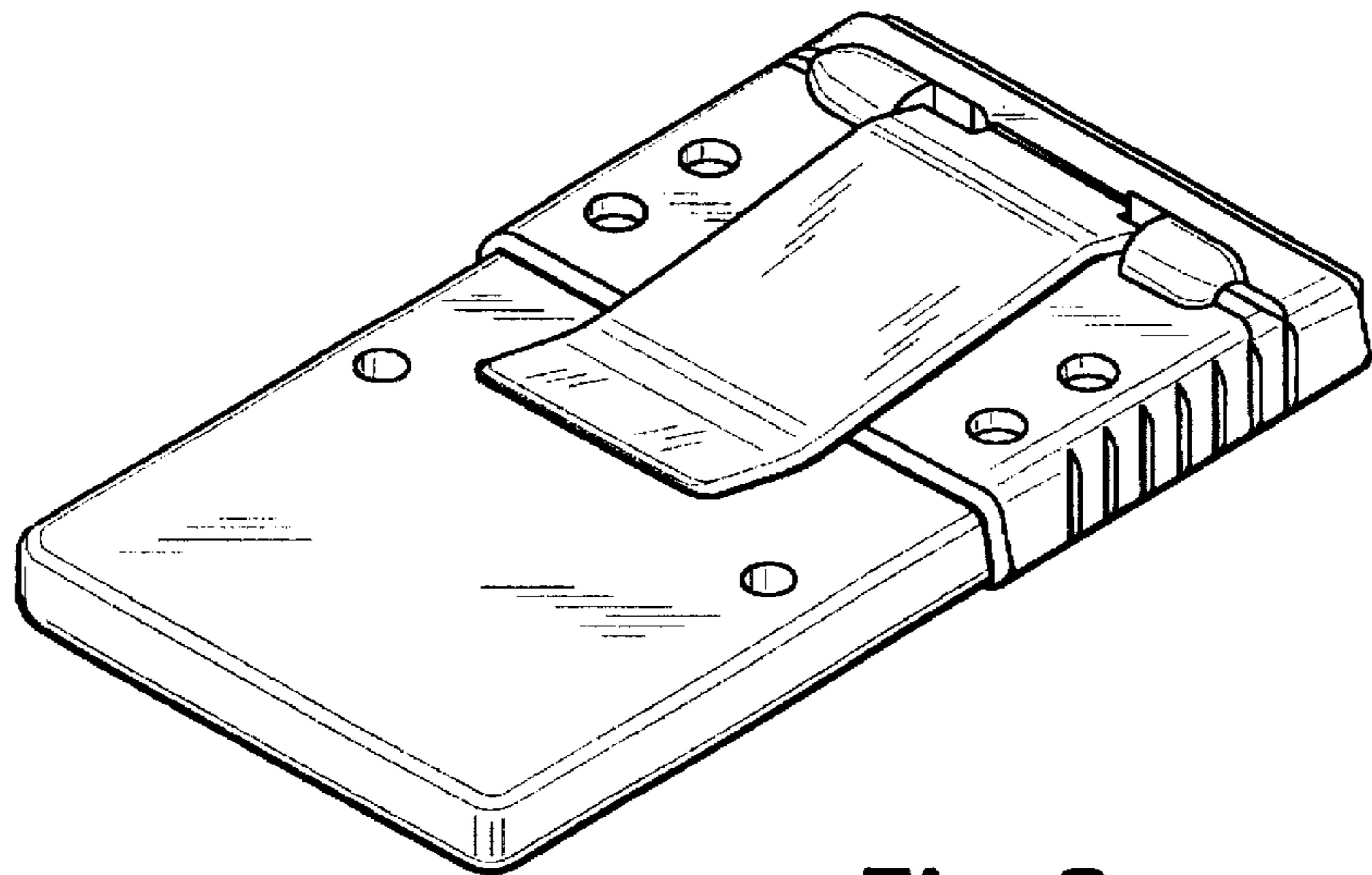
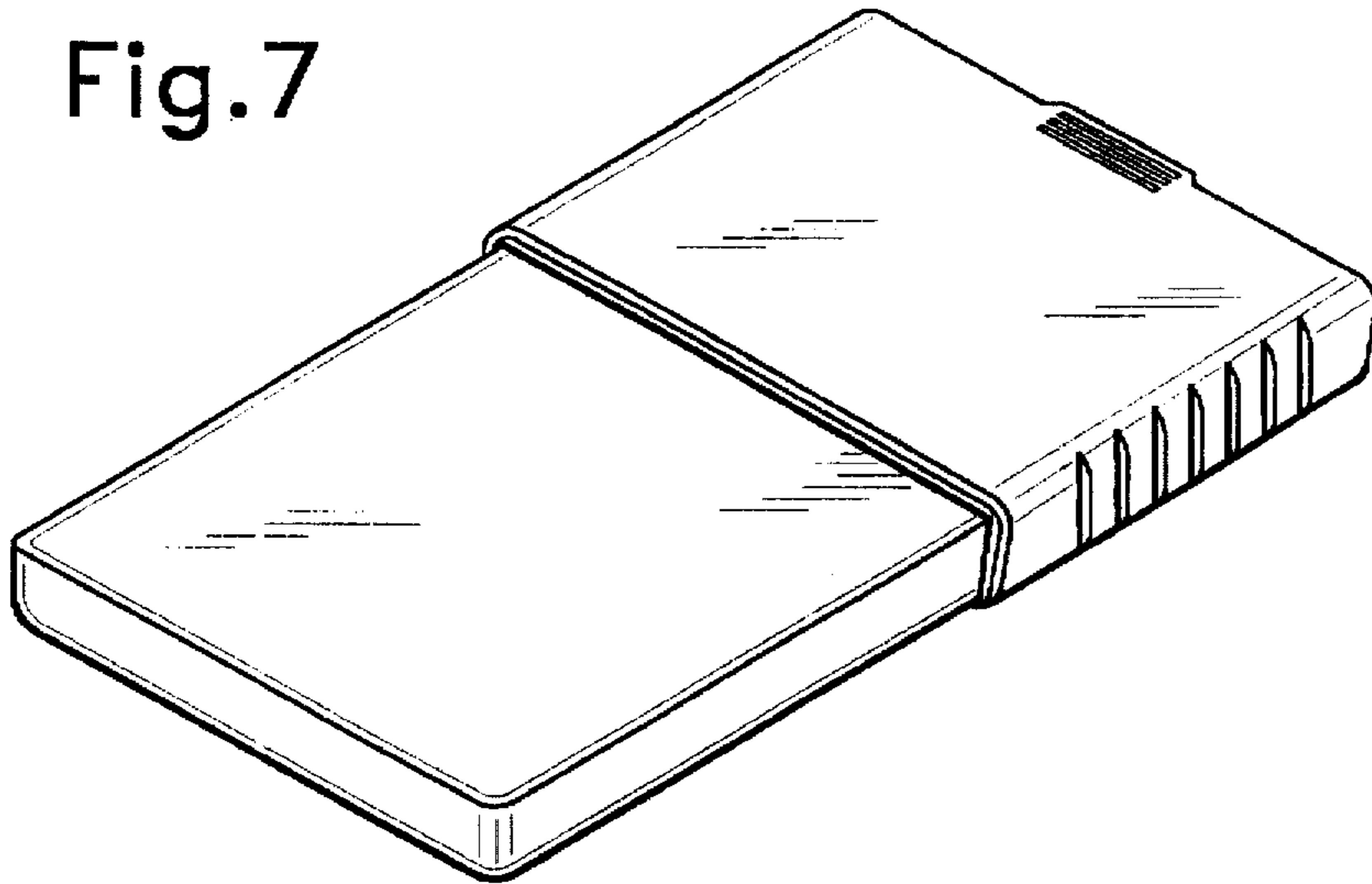


Fig.8