



US00D386283S

United States Patent [19]
Scott

[11] **Patent Number: Des. 386,283**
[45] **Date of Patent: **Nov. 11, 1997**

[54] **MOTION PICTURE LIGHT COVER**

[76] **Inventor: Robert S. Scott, 14319 Tilden Rd., Winter Garden, Fla. 34787**

[**] **Term: 14 Years**

[21] **Appl. No.: 63,058**

[22] **Filed: Nov. 25, 1996**

Related U.S. Application Data

[62] **Division of Ser. No. 38,018, Apr. 26, 1995, Pat. No. Des. 376,866.**

[51] **LOC (6) Cl. 26-99**

[52] **U.S. Cl. D26/119**

[58] **Field of Search D26/118, 119, D26/139; 362/359; 150/154, 157, 158, 166, 167; D12/401**

[56] **References Cited**

U.S. PATENT DOCUMENTS

1,123,609	1/1915	Spesha	150/154
1,409,666	3/1922	Calise	150/166
1,736,383	11/1929	Waggoner	150/154
2,702,602	2/1955	Jenswold	150/154 X

FOREIGN PATENT DOCUMENTS

034341 1/1931 United Kingdom 150/154

Primary Examiner—Susan J. Lucas
Attorney, Agent, or Firm—William M. Hobby, III

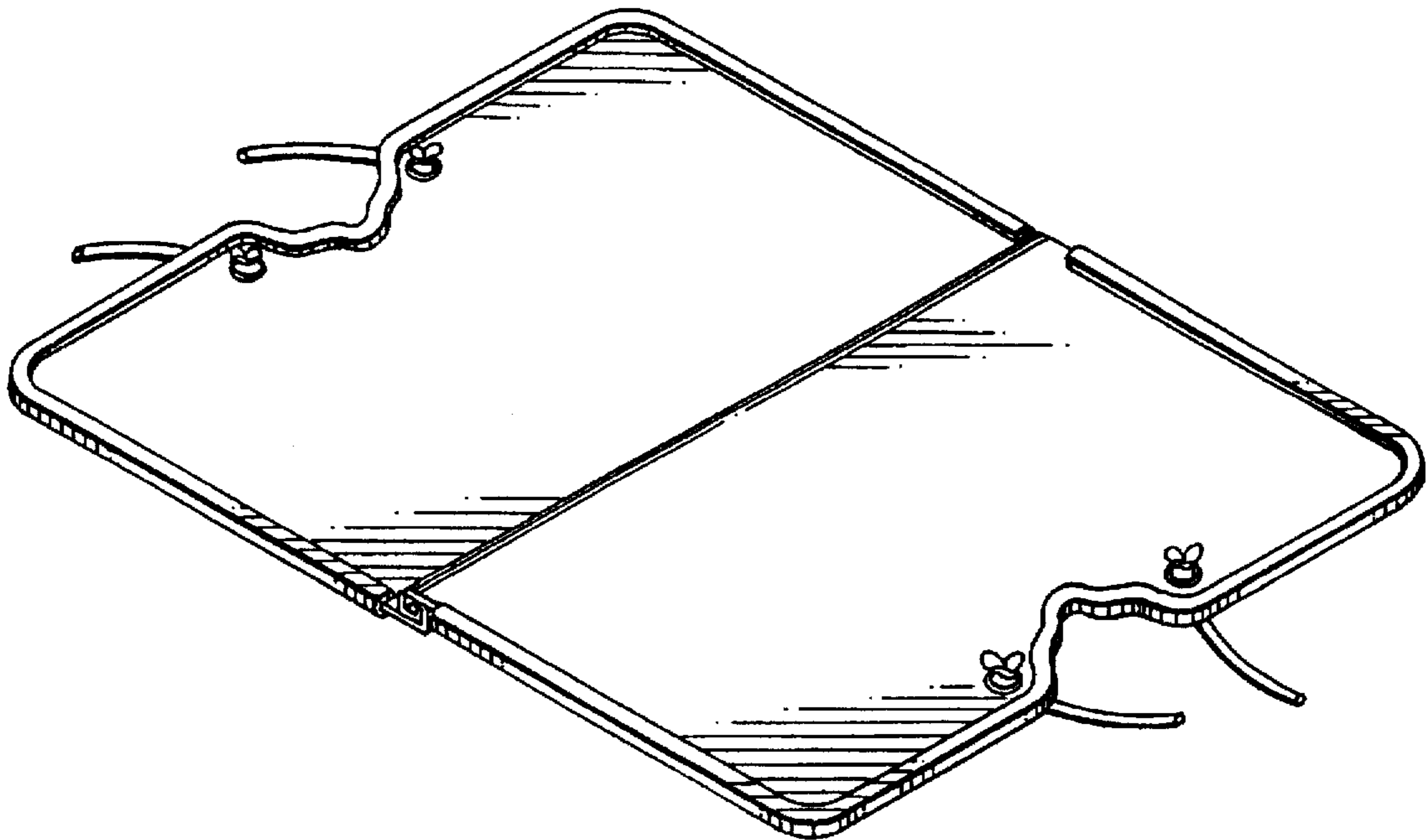
[57] **CLAIM**

The ornamental design for a motion picture light cover, as shown and described.

DESCRIPTION

FIG. 1 is a top and front perspective view of my new motion picture light cover;
FIG. 2 is a fragmentary front end elevation on an enlarged scale, the cover being fragmentarily shown for clarity of disclosure;
FIG. 3 is a top plan view;
FIG. 4 is a front end elevation;
FIG. 5 is a rear end elevation;
FIG. 6 is a left side elevation;
FIG. 7 is a bottom plan view; and,
FIG. 8 is a right side elevation.

1 Claim, 1 Drawing Sheet



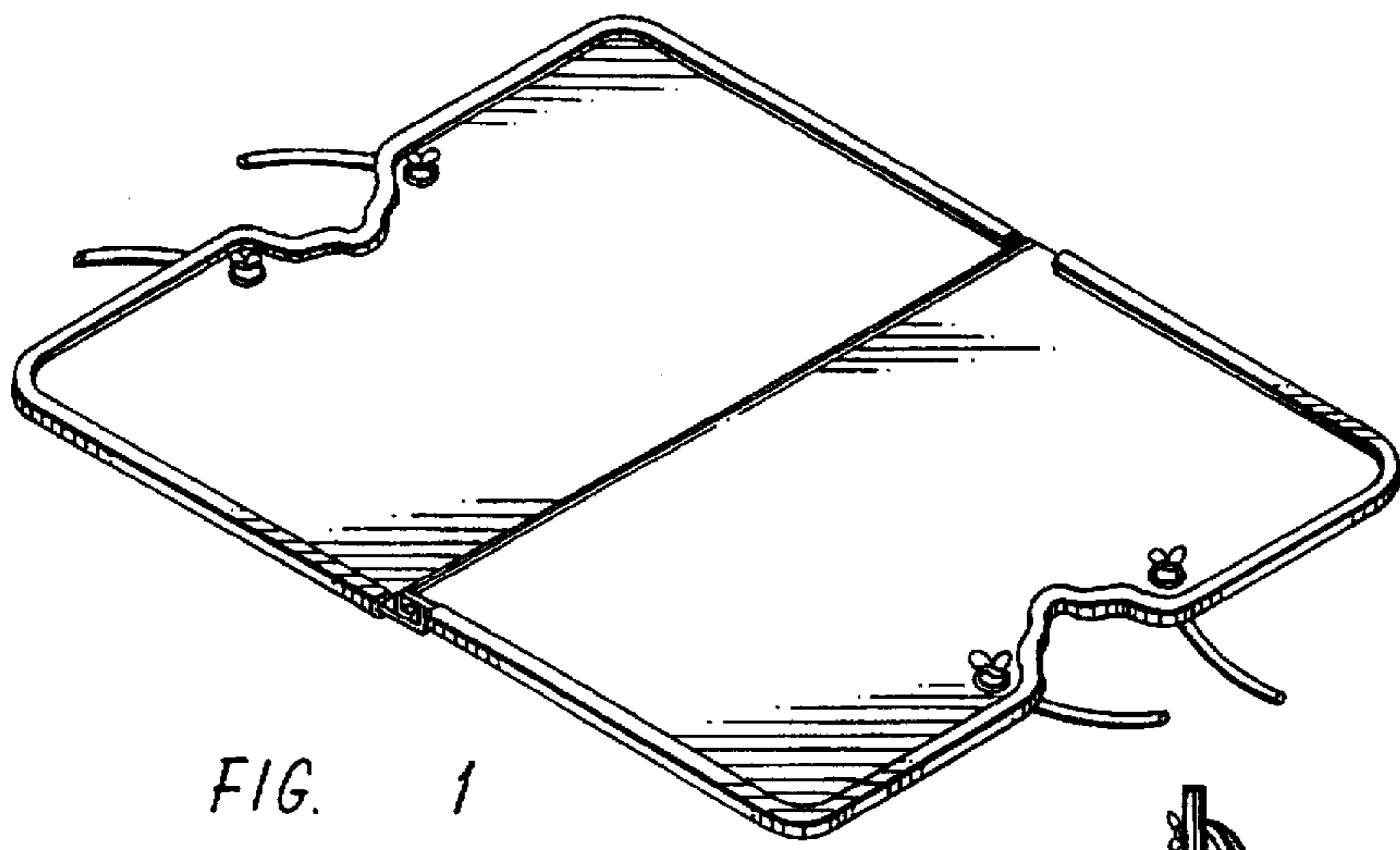


FIG. 1

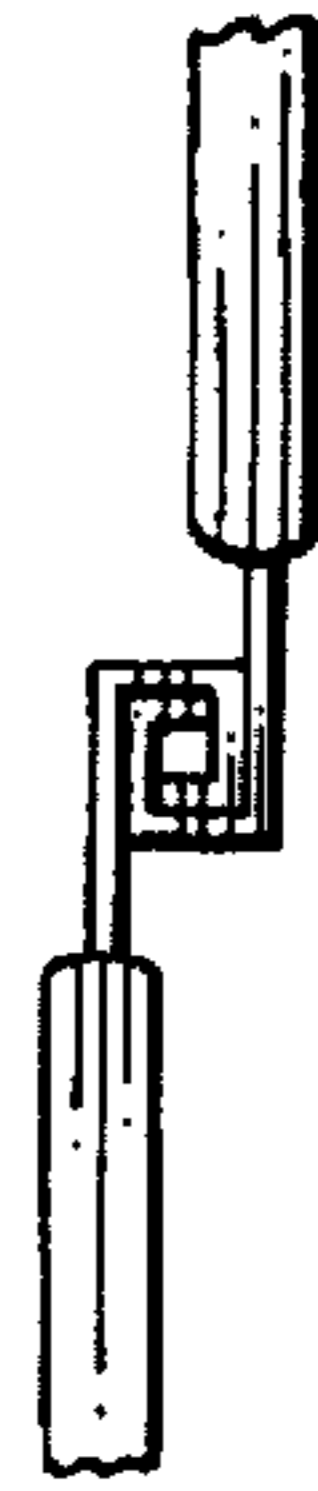


FIG. 2

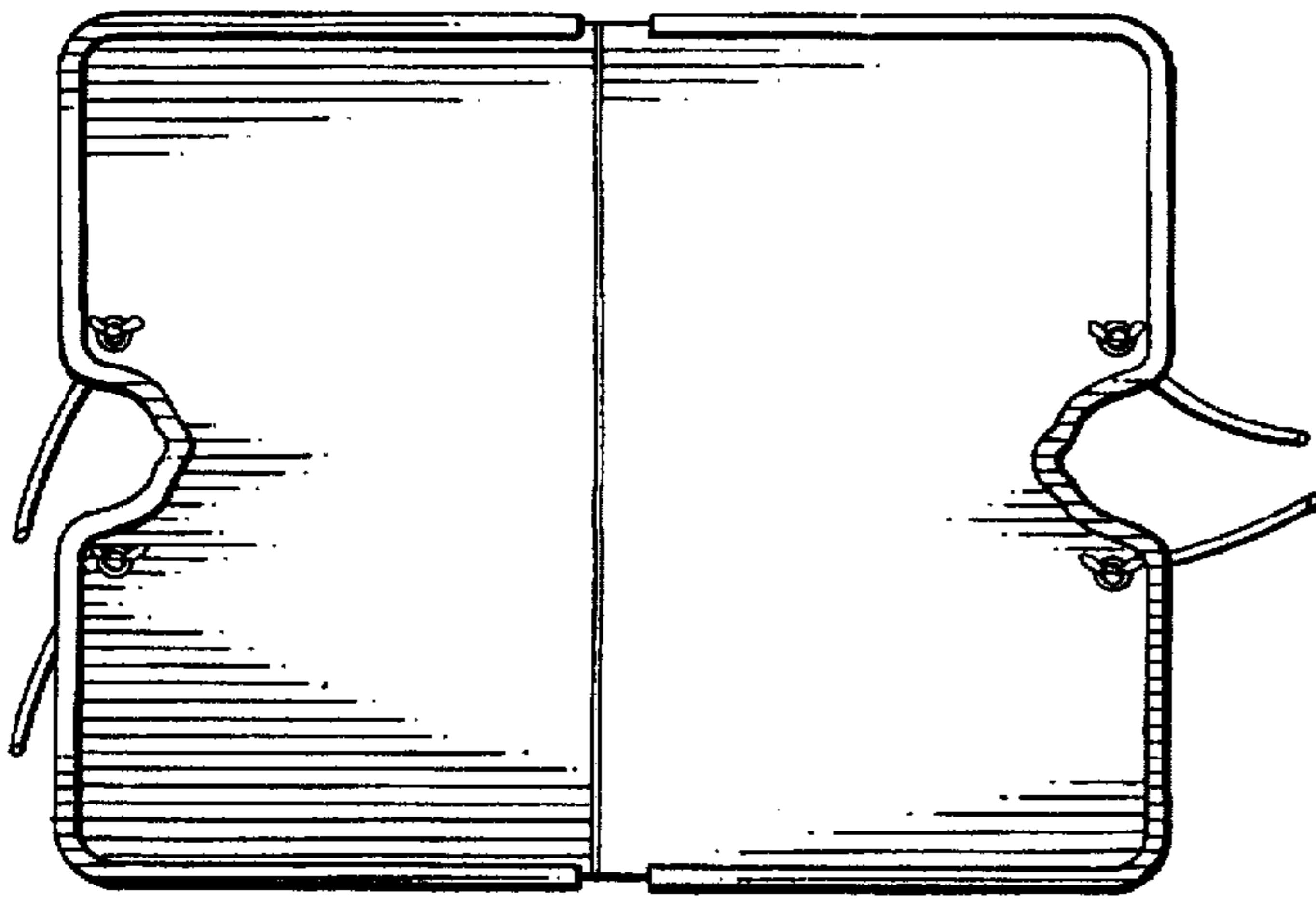


FIG. 3

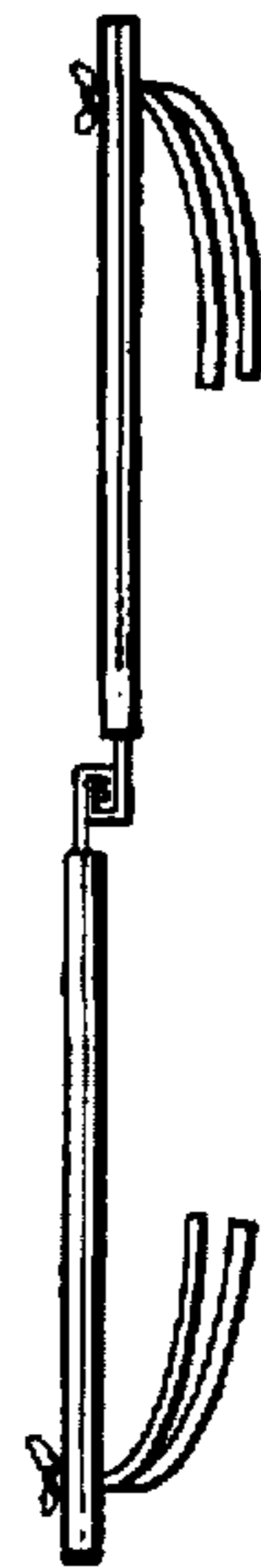
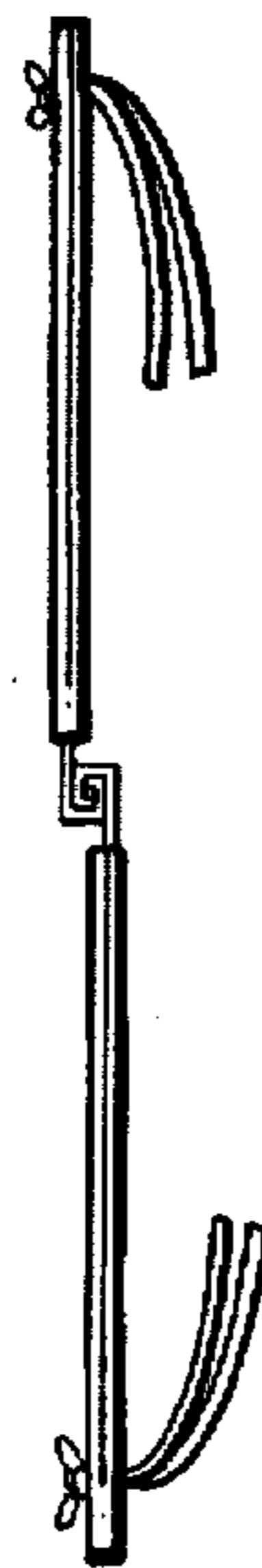


FIG. 4 FIG. 5

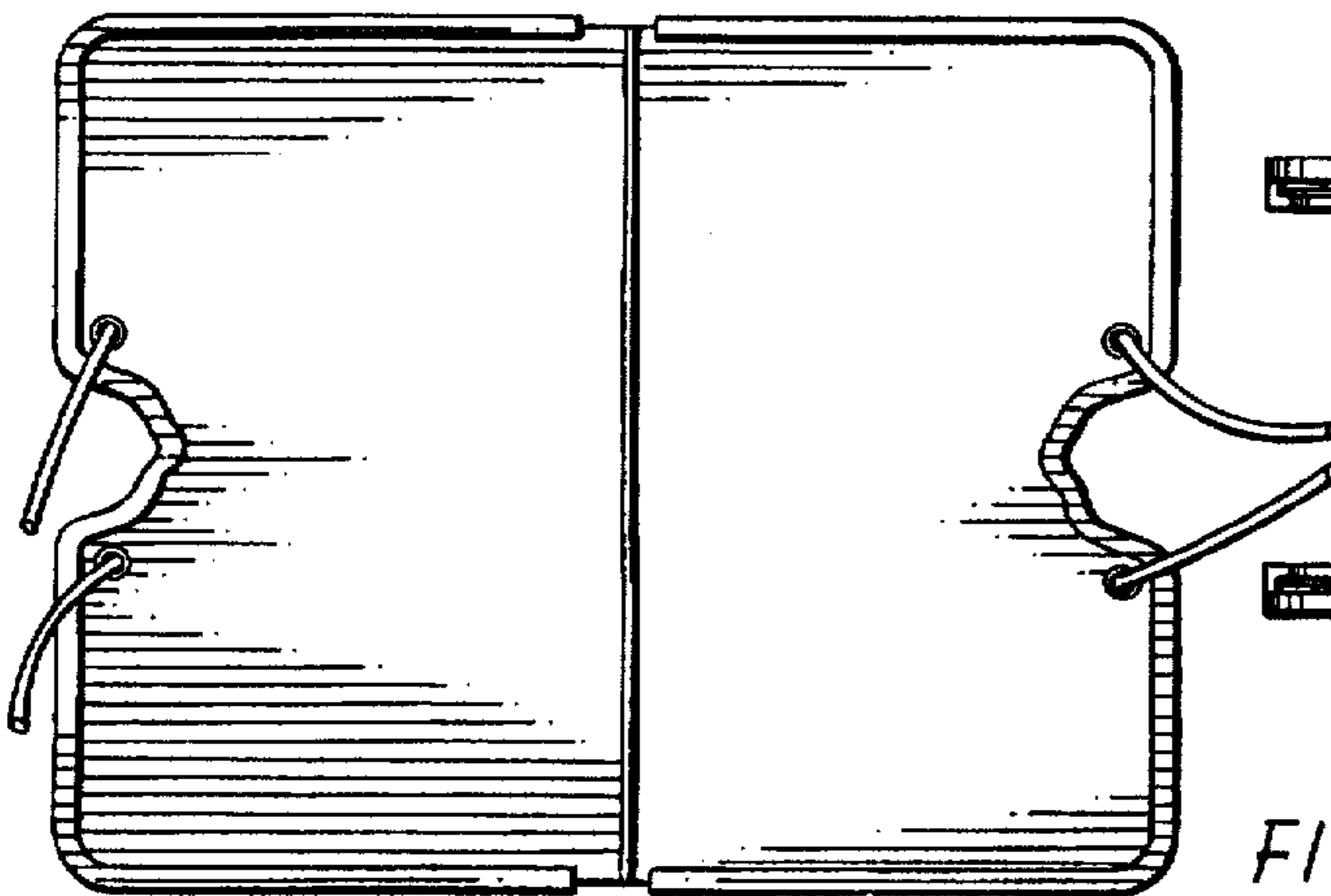


FIG. 7

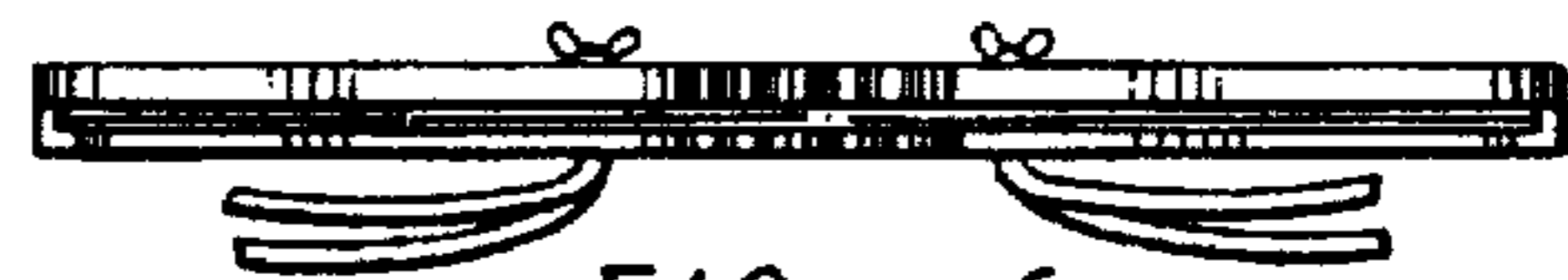


FIG. 6

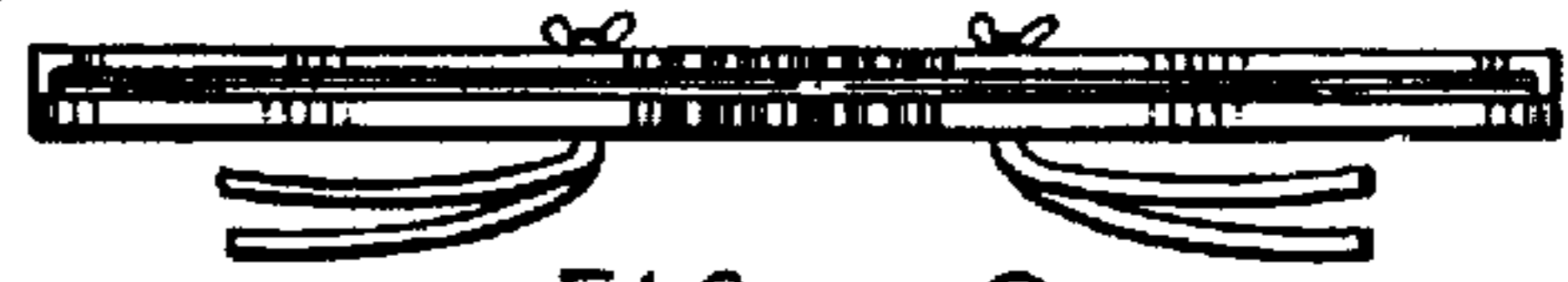


FIG. 8