



US00D386280S

United States Patent [19]

[11] Patent Number: **Des. 386,280**

Porter

[45] Date of Patent: ****Nov. 11, 1997**

[54] **CHANDELIER**

1,741,408 12/1929 Doane et al. 362/405
2,804,542 6/1957 Siegal 362/405

[75] Inventor: **David H. Porter**, Chagrin Falls, Ohio

Primary Examiner—Susan J. Lucas

[73] Assignee: **The L.D. Kichler Co.**, Cleveland, Ohio

Attorney, Agent, or Firm—Watts, Hoffmann, Fisher & Heinke, Co., L.P.A.

[**] Term: **14 Years**

[57] CLAIM

[21] Appl. No.: **62,619**

The ornamental design for a chandelier, as shown and described.

[22] Filed: **Nov. 20, 1996**

DESCRIPTION

[51] LOC (6) Cl. **26-05**

[52] U.S. Cl. **D26/81; D26/143**

[58] Field of Search D26/72, 80-92,
D26/142, 143, 144, 147, 148, 149, 152,
156; 362/147, 404-408, 432

FIG. 1 is a perspective view of a chandelier showing my new design;

FIG. 2 is a front elevational view of the chandelier, the rear elevational view is a mirror image;

FIG. 3 is a right side elevational view of the chandelier; the left side elevational view being a mirror image;

FIG. 4 is a top plan view of the chandelier; and,

FIG. 5 is a bottom plan view of the chandelier.

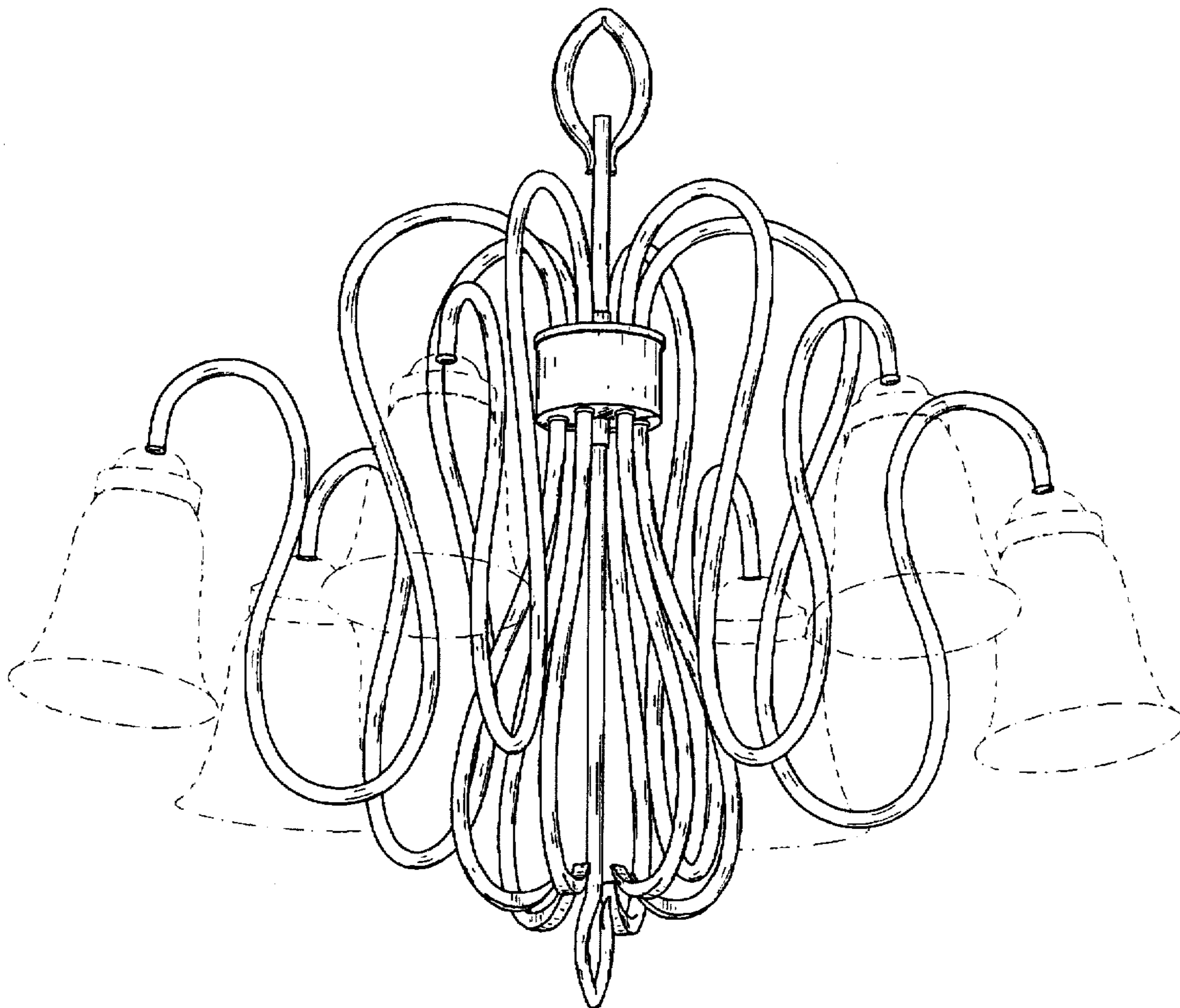
The broken lines shown are for illustrative purposes only and forms no part of the claimed design.

[56] References Cited

U.S. PATENT DOCUMENTS

D. 66,226 12/1924 Crumley D26/81
D. 69,023 12/1925 Klein D26/81
D. 366,714 1/1996 Porter D26/81

1 Claim, 5 Drawing Sheets



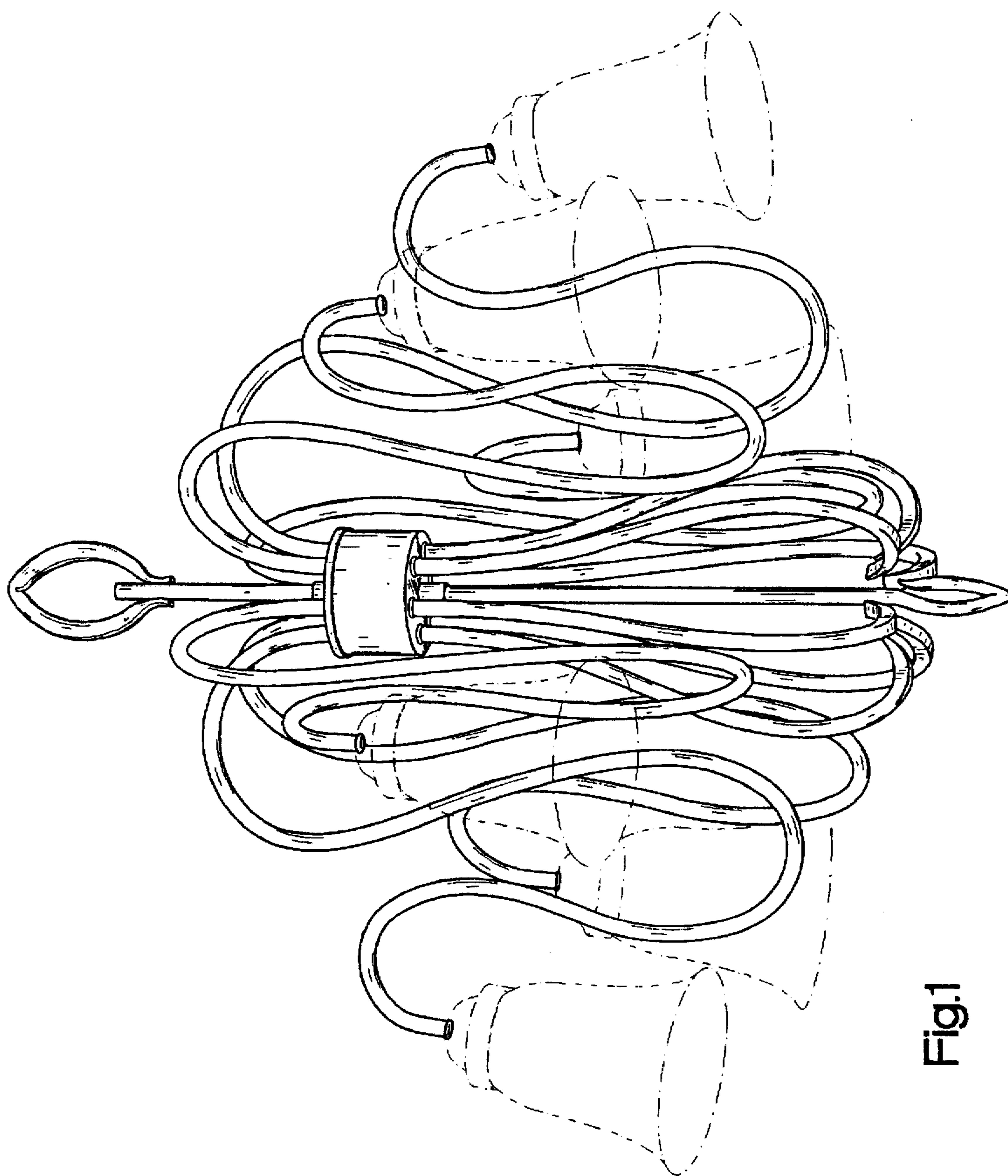


Fig.1

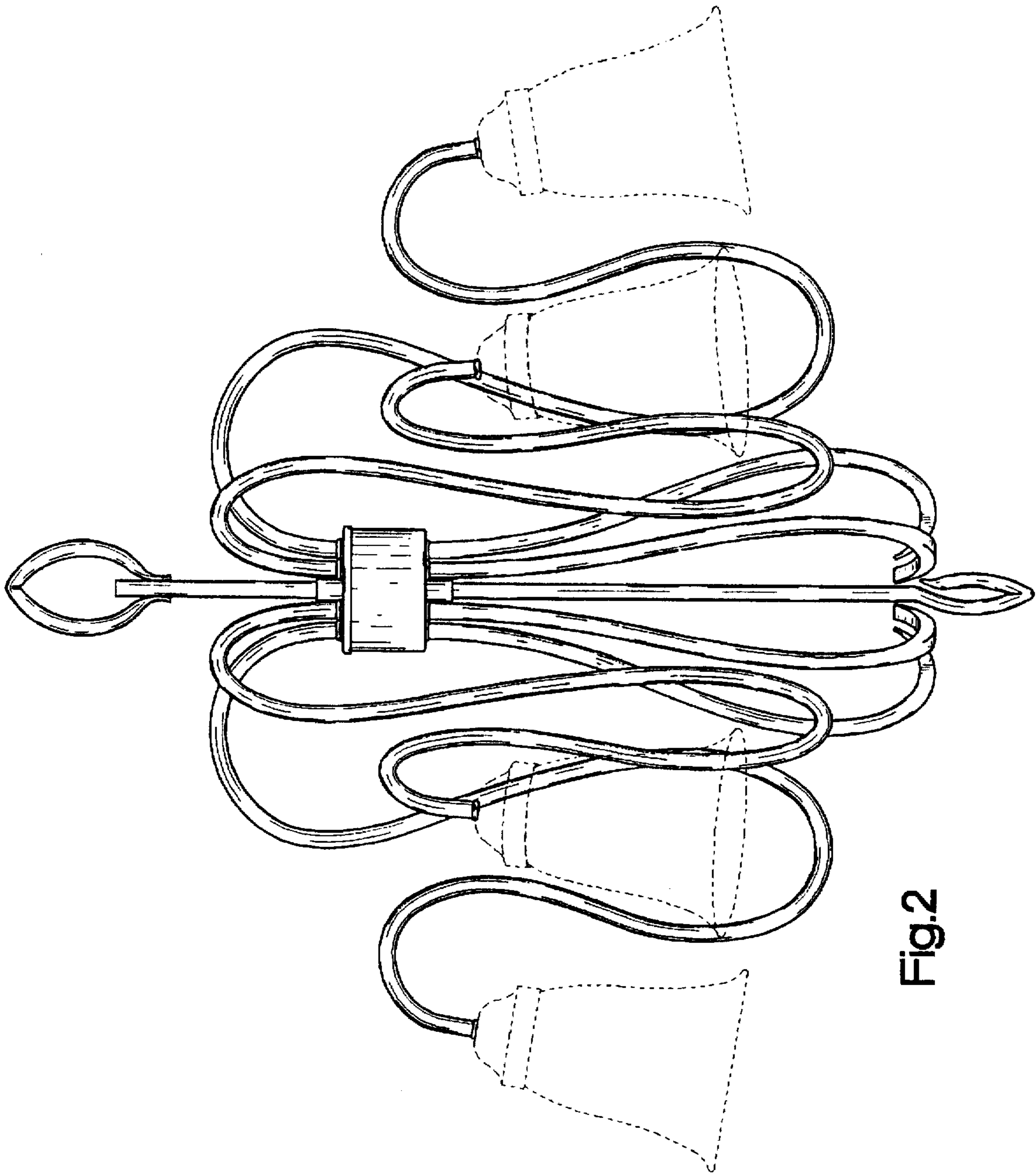


Fig.2

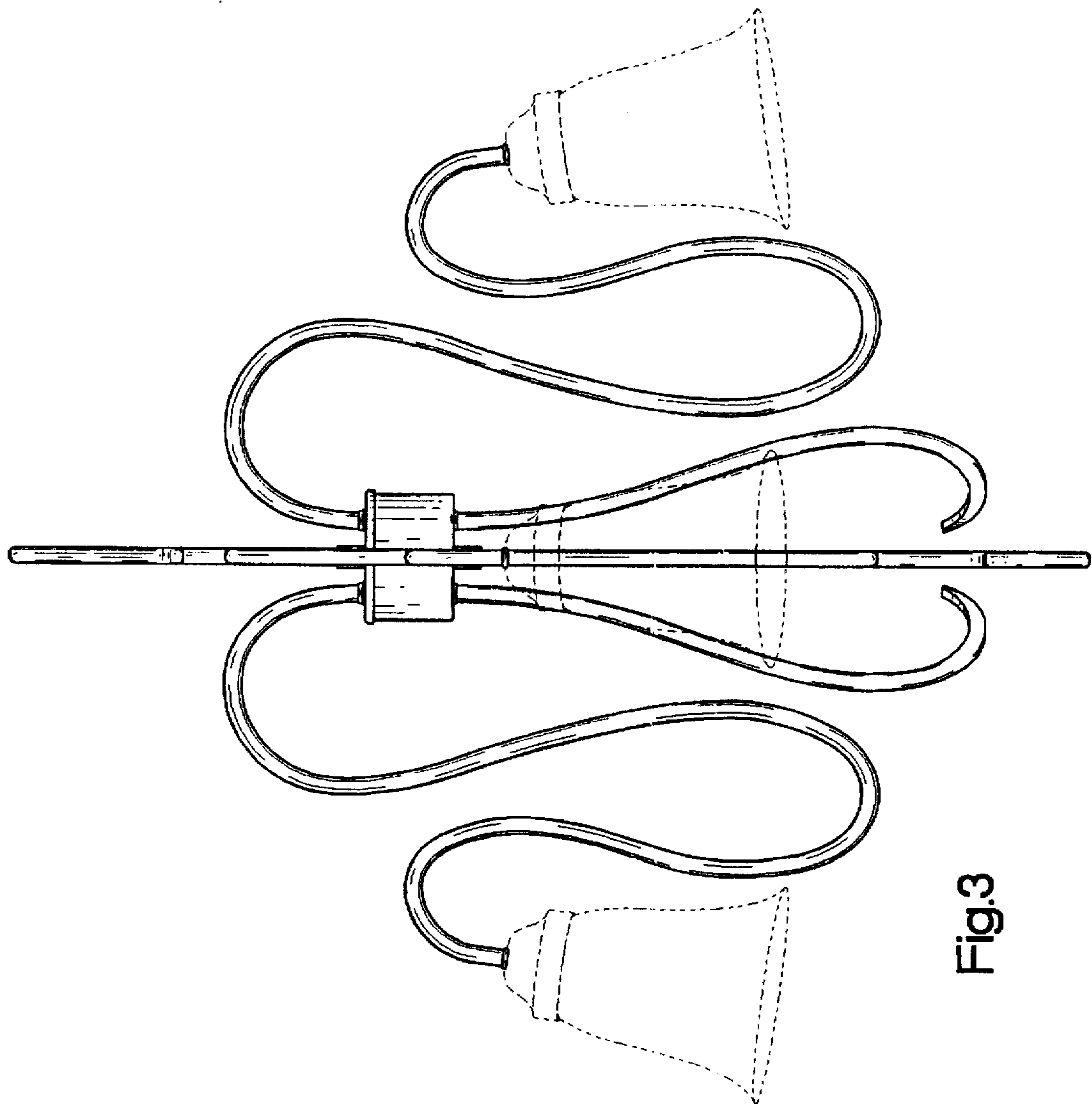


Fig.3

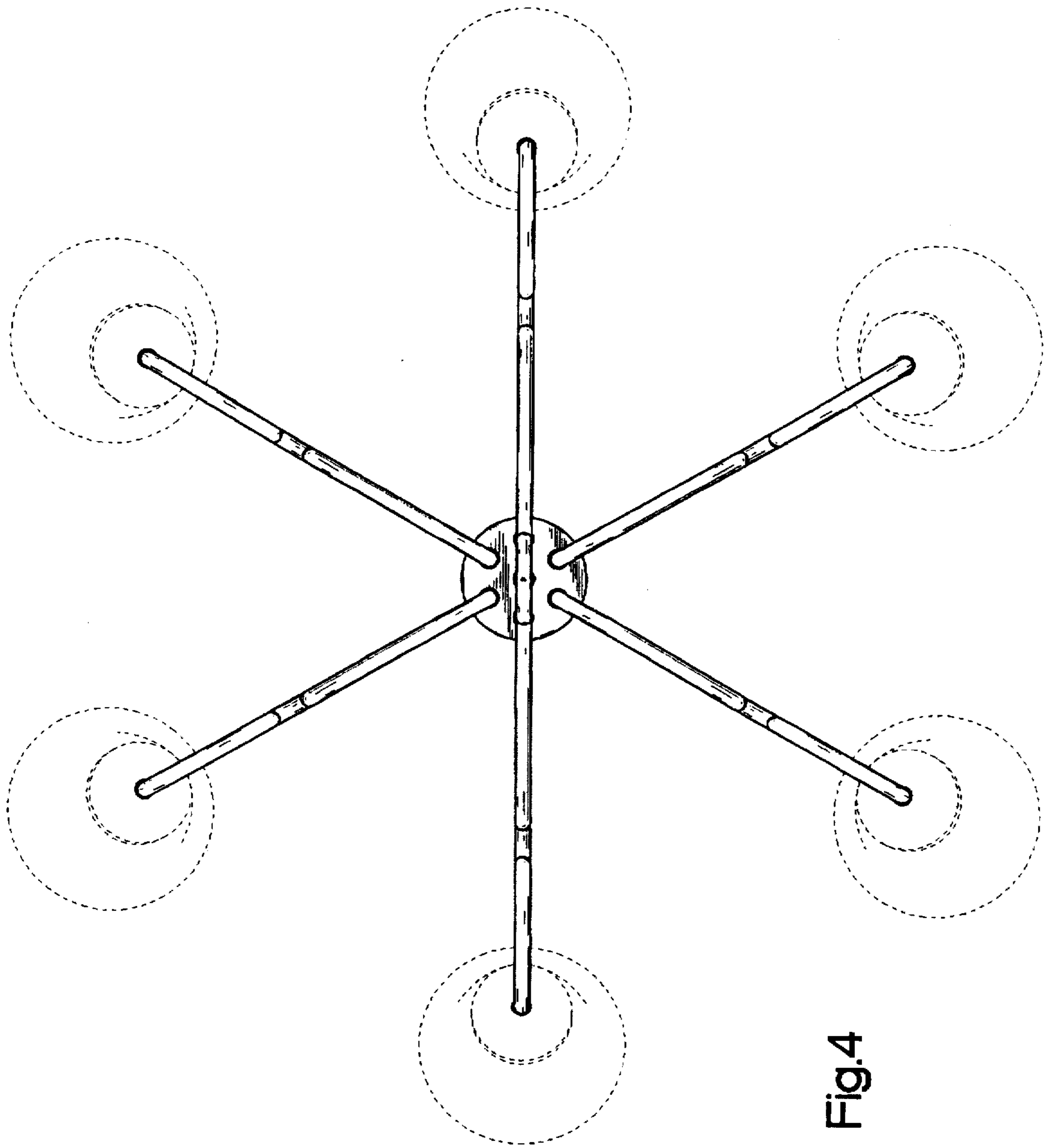


Fig.4

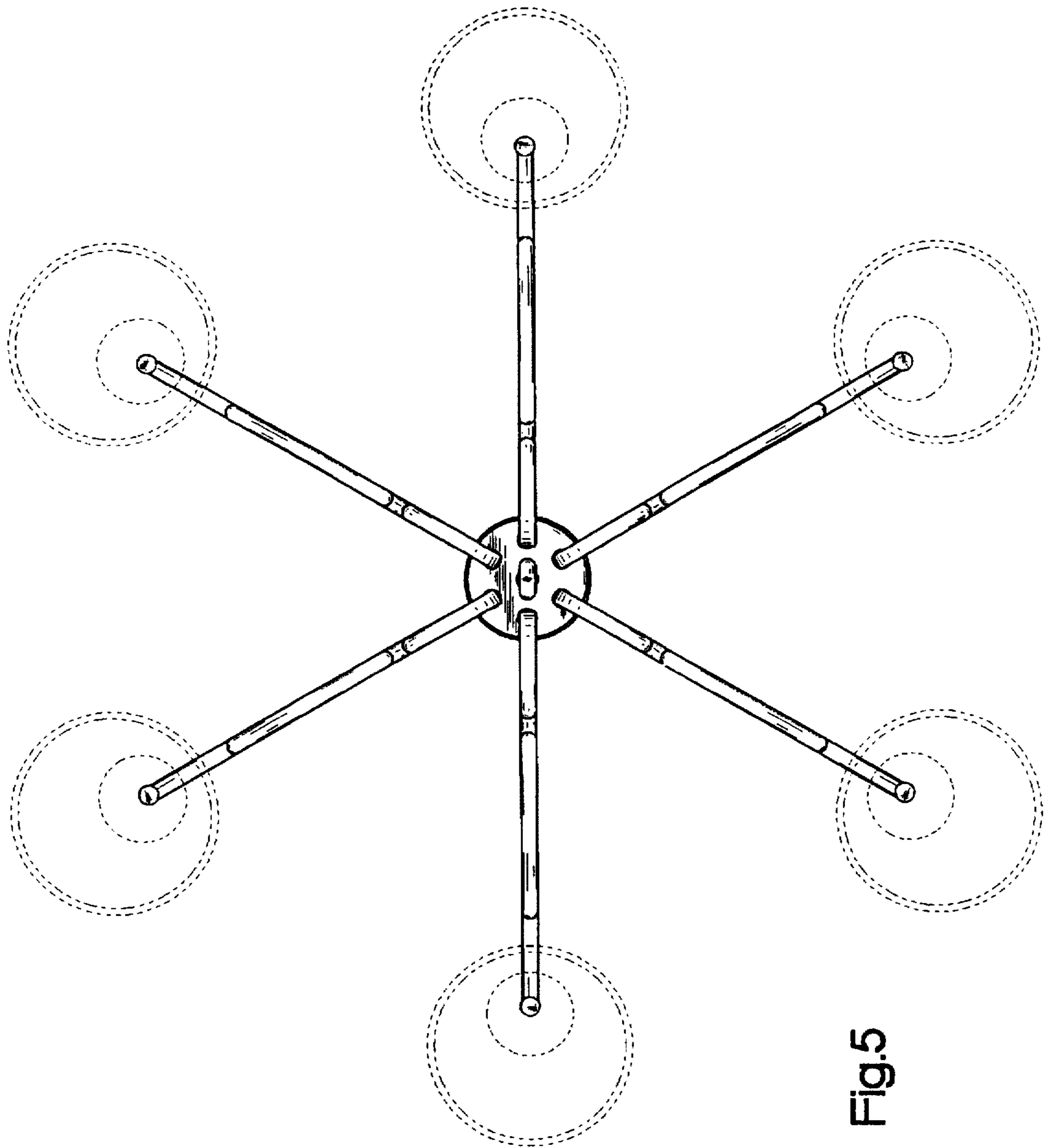


Fig.5