

US00D386278S

# United States Patent [19]

Engle et al.

[11] Patent Number: **Des. 386,278**

[45] Date of Patent: **\*\*Nov. 11, 1997**

[54] **MODULAR LIGHT UNIT**

[75] Inventors: **Joseph D. Engle**, Naperville; **John R. Howard**, West Chicago; **Robert Machacek**, Lombard, all of Ill.; **George S. Boznos**, Westchester, Ohio

[73] Assignee: **JJI Lighting Group, Inc.**, Greenwich, Conn.

[\*\*] Term: **14 Years**

[21] Appl. No.: **42,791**

[22] Filed: **Aug. 17, 1995**

### Related U.S. Application Data

[63] Continuation of Ser. No. 31,998, Dec. 12, 1994, abandoned.

[51] LOC (6) Cl. .... **26-05**

[52] U.S. Cl. .... **D26/76**

[58] Field of Search ..... D26/72, 75, 76, D26/80, 85, 87; 362/222, 223, 217, 147, 432, 362

### [56] References Cited

#### U.S. PATENT DOCUMENTS

D. 166,034 2/1952 Gray ..... D26/85

D. 191,628	10/1961	Muller .....	D26/76
D. 286,916	11/1986	Worrell .....	D26/85
D. 330,269	10/1992	Hong .....	D26/76
D. 359,374	6/1995	Weinstock .....	D26/80
2,352,804	7/1944	Schepmoes .....	362/222
2,770,717	11/1956	Schwartz et al. ....	362/222
4,816,969	3/1989	Miller .....	D26/85 X
4,998,188	3/1991	Degelmann .....	362/147

*Primary Examiner*—Susan J. Lucas

*Attorney, Agent, or Firm*—Fitzpatrick, Cella, Harper & Scinto

### [57] CLAIM

The ornamental design for a modular light unit, as shown and described.

### DESCRIPTION

FIG. 1 is a perspective view of the modular light unit according to the invention;

FIG. 2 is a top plan view;

FIG. 3 is a bottom plan view;

FIG. 4 is a front elevational view;

FIG. 5 is a rear elevational view;

FIG. 6 is a left end elevational view; and,

FIG. 7 is a right end elevational view.

**1 Claim, 3 Drawing Sheets**

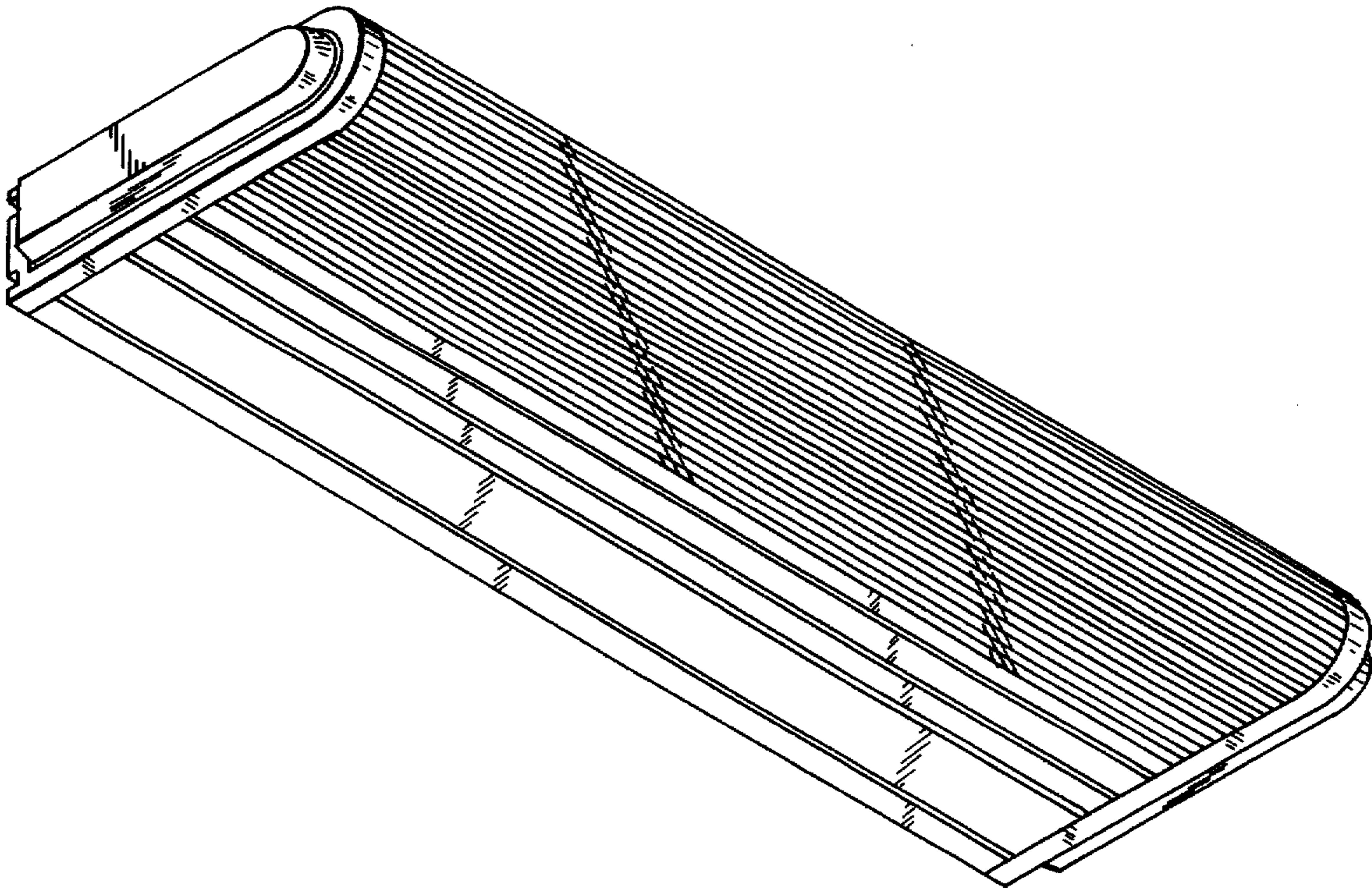


FIG. 1

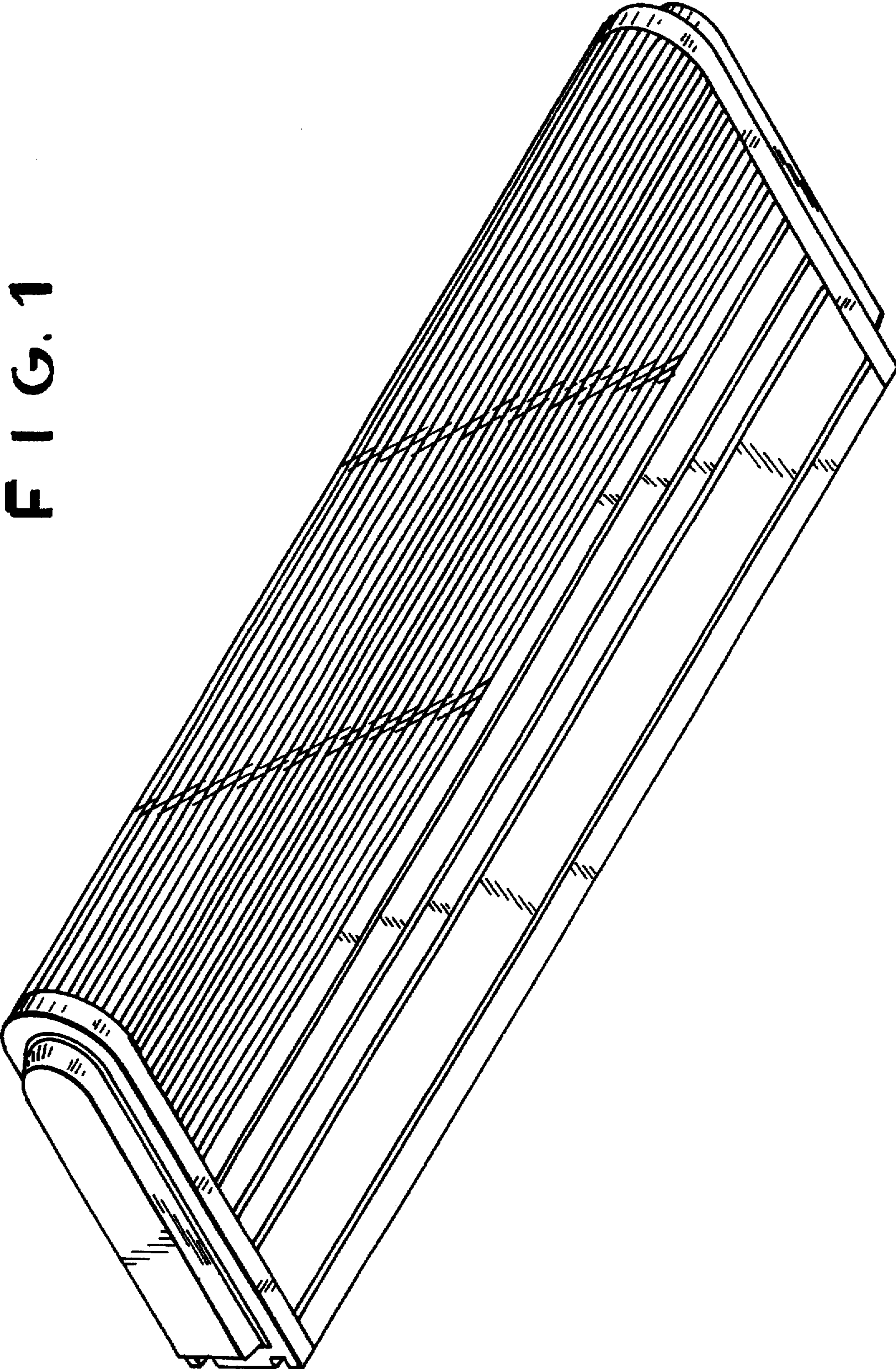


FIG. 5

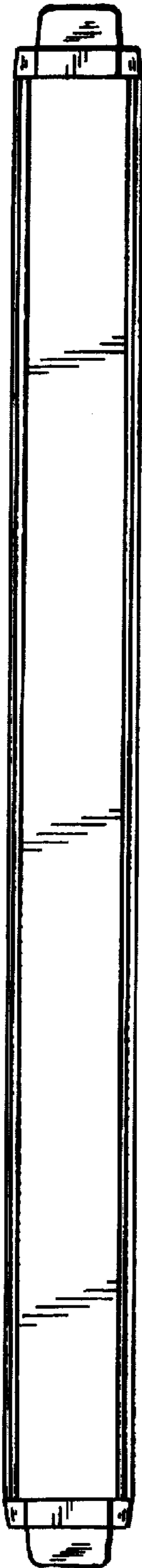


FIG. 2

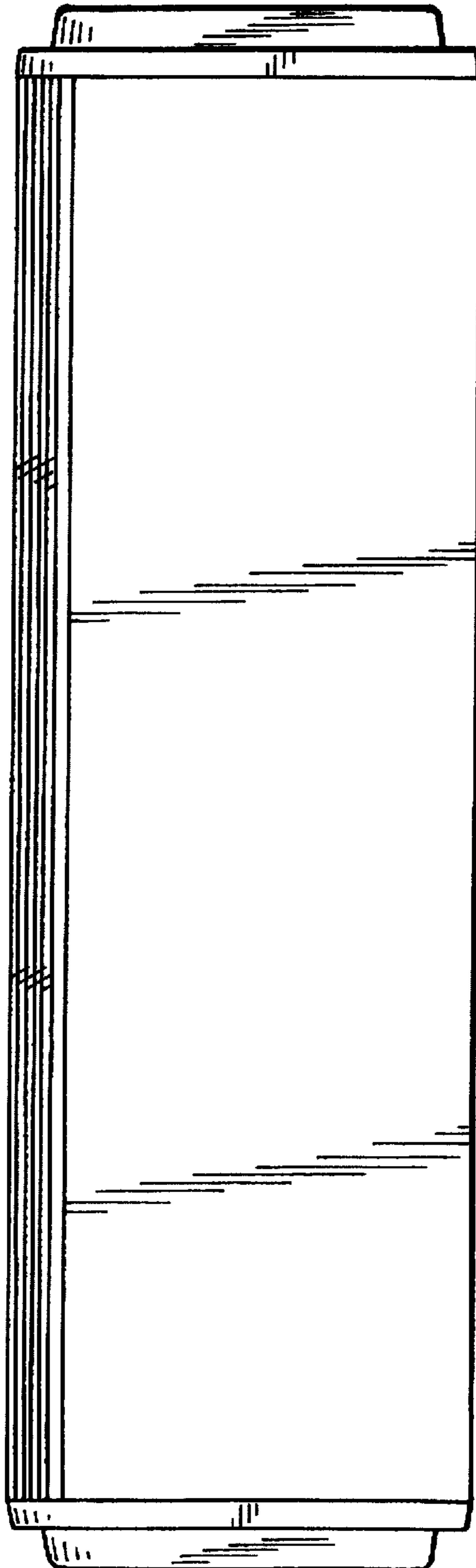


FIG. 6

FIG. 4

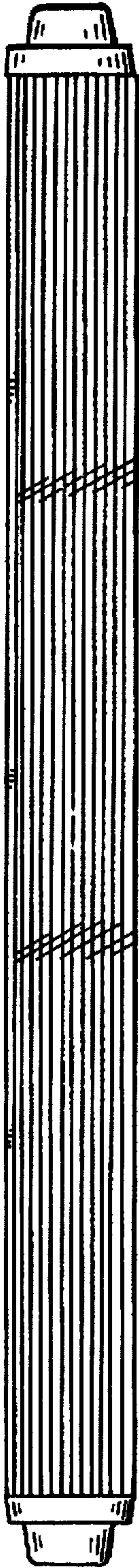


FIG. 3

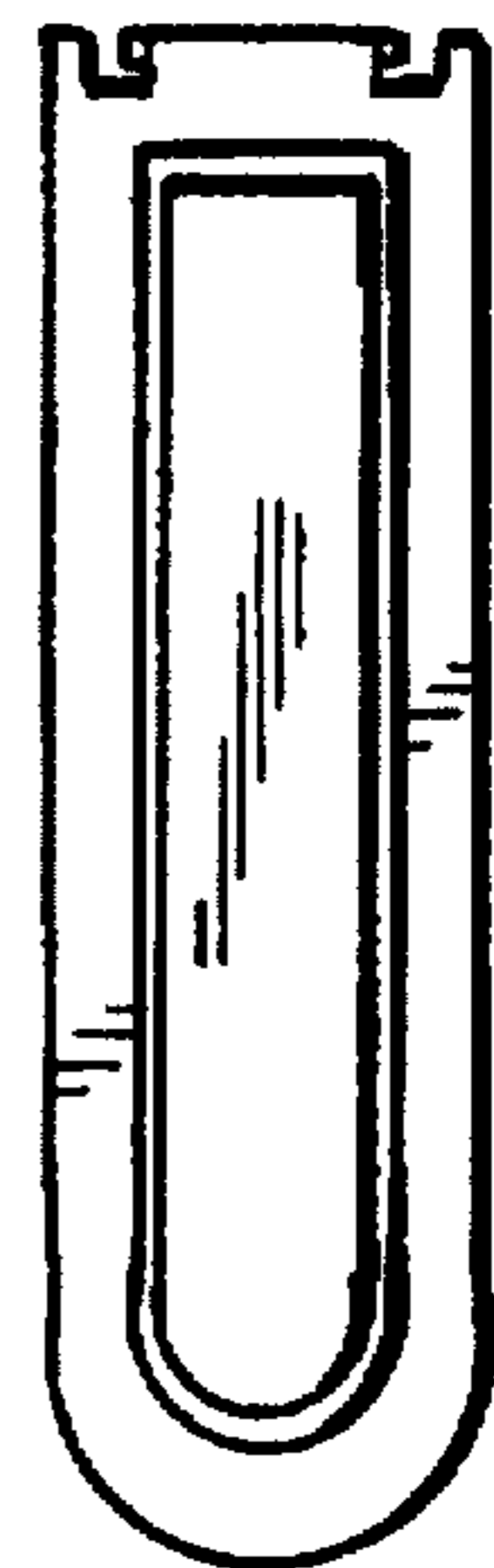
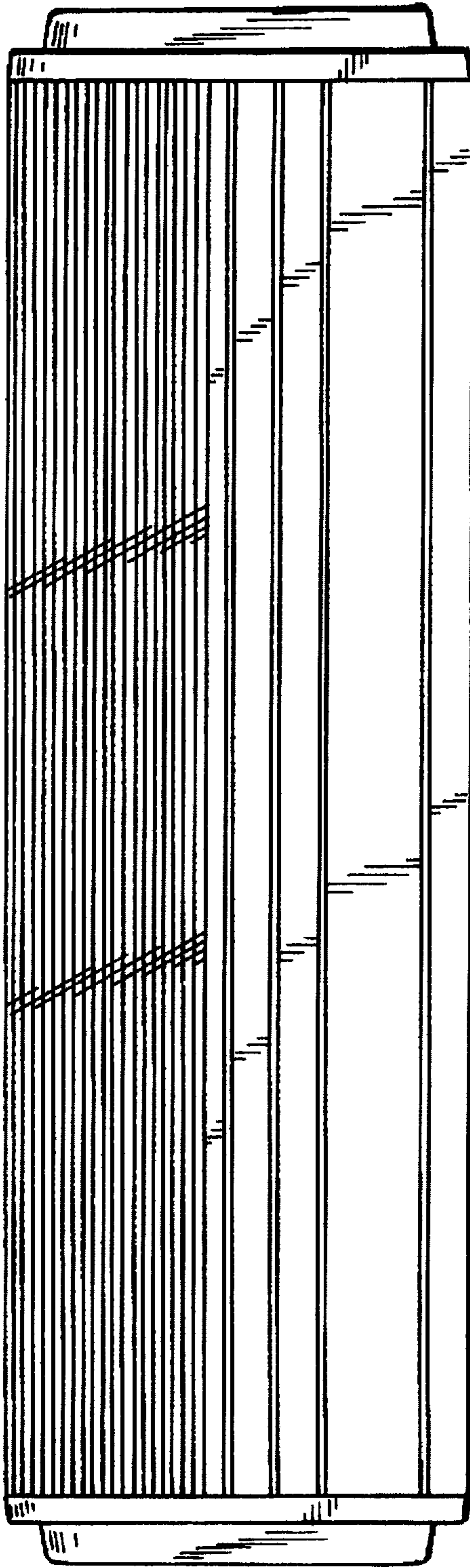


FIG. 7