



US00D386277S

United States Patent [19]

[11] Patent Number: **Des. 386,277**

Lecluze

[45] Date of Patent: ****Nov. 11, 1997**

[54] **RECESSED LIGHTING FIXTURE**

[76] Inventor: **Michel Lecluze**, 1009, rue du Parc Industriel, St-Jean-Chrysostome, Québec, Canada, G6Z 1C5

[**] Term: **14 Years**

[21] Appl. No.: **59,342**

[22] Filed: **Sep. 9, 1996**

[51] LOC (6) Cl. **26-05**

[52] U.S. Cl. **D26/74; D26/118**

[58] Field of Search **D26/74, 118; 362/147, 362/404-408, 364, 365**

[56] **References Cited**

U.S. PATENT DOCUMENTS

- D. 370,550 6/1996 Lecluze D26/118
- D. 376,667 12/1996 Lecluze D26/74 X
- 4,733,339 3/1988 Kelsall 362/365 X

OTHER PUBLICATIONS

Thomas Ind. Inc. Starlight Lighting catalog, p. 81, recessed lighting fixtures, open trim #R263, 1984.

Primary Examiner—Susan J. Lucas

Attorney, Agent, or Firm—Jean H. Dubuc

[57] **CLAIM**

The ornamental design for a recessed lighting fixture, as shown and described.

DESCRIPTION

FIG. 1 is a bottom perspective view of a recessed lighting fixture showing my new design;

FIG. 2 is a bottom plan view thereof;

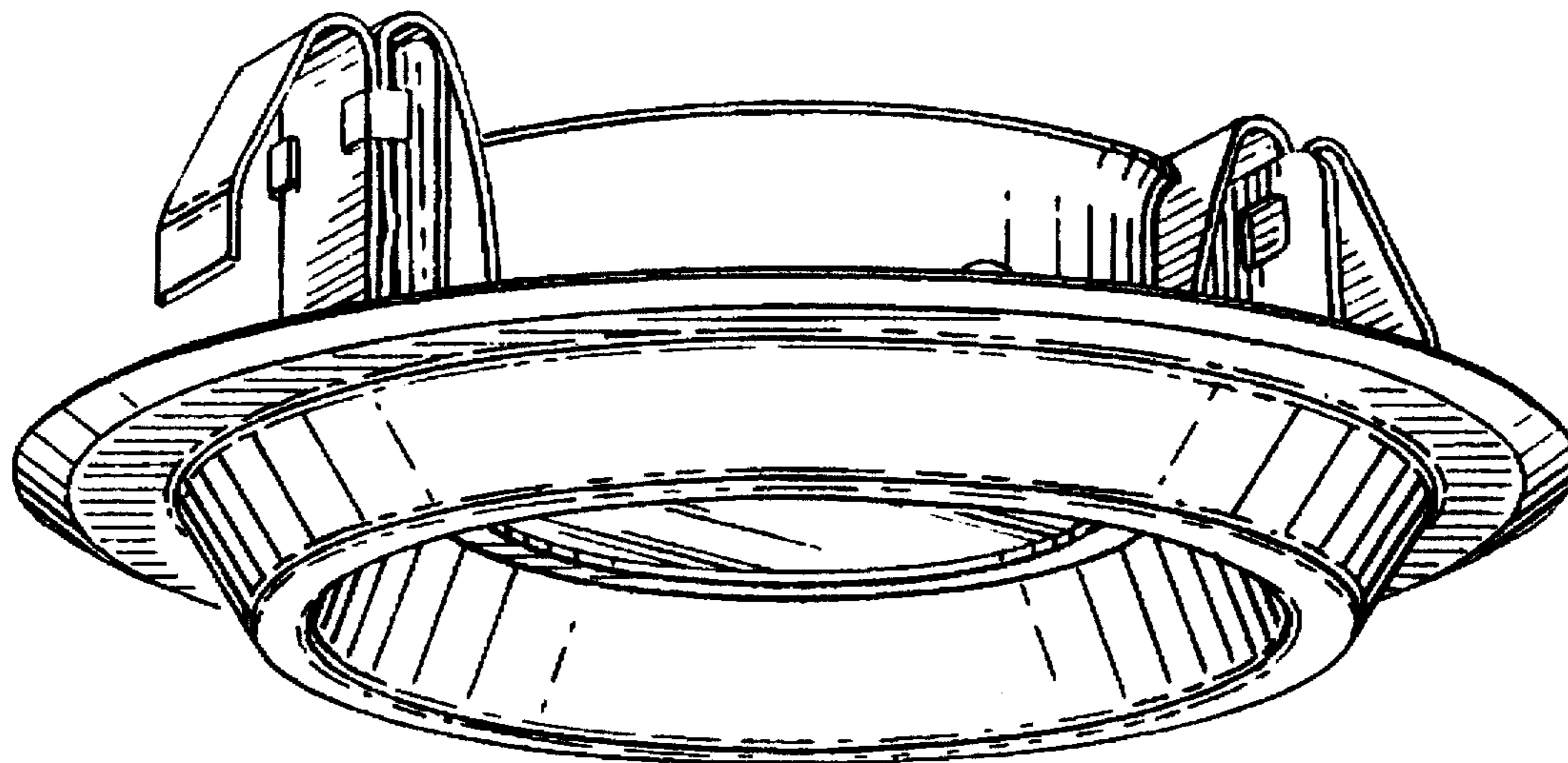
FIG. 3 is a side elevation as seen from the bottom of FIG. 2;

FIG. 4 is a side elevation as seen from the top of FIG. 2;

FIG. 5 is a side elevation as seen from the right of FIG. 3; and,

FIG. 6 is a top plan view thereof.

1 Claim, 3 Drawing Sheets



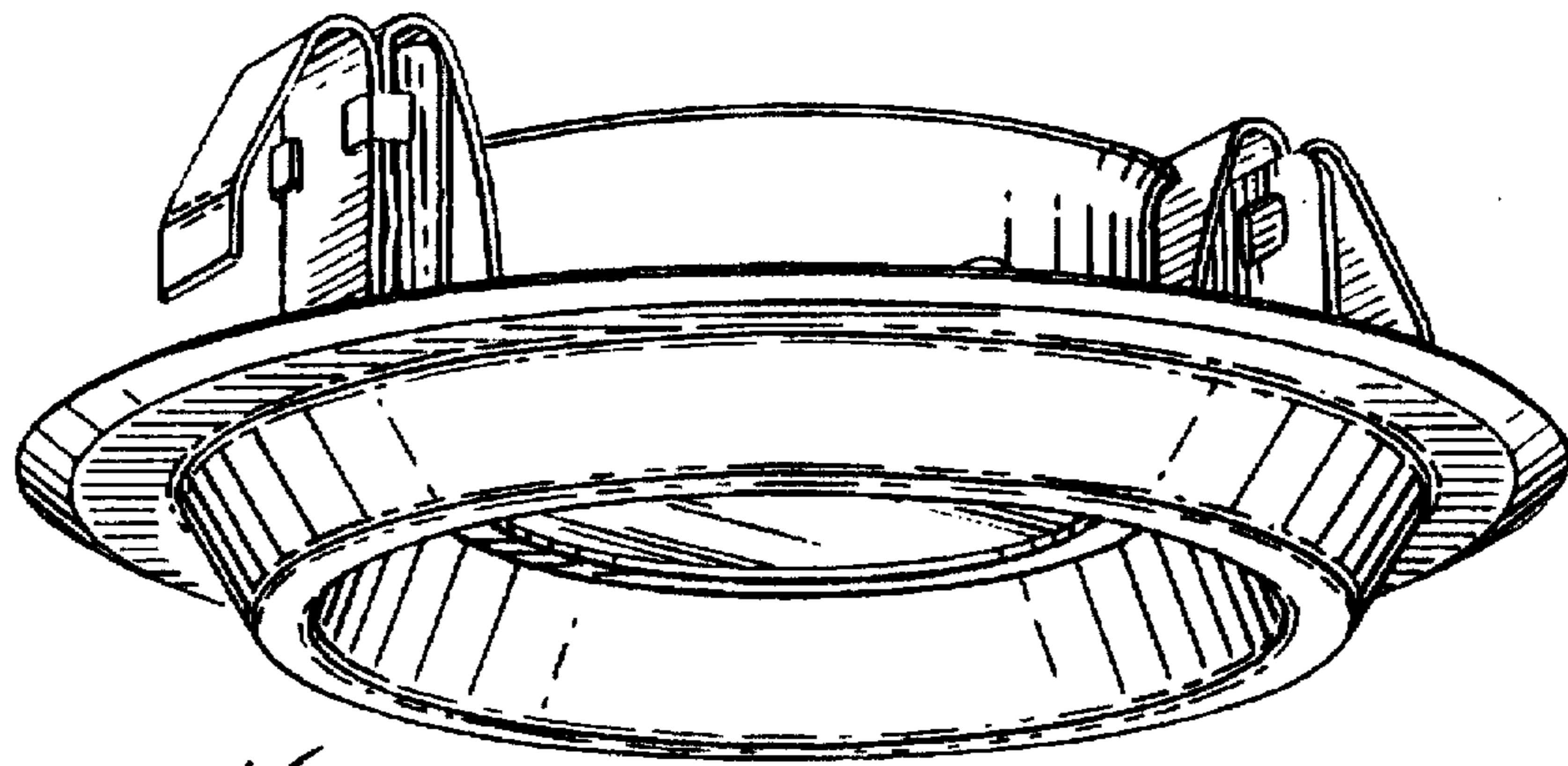


Fig. 1

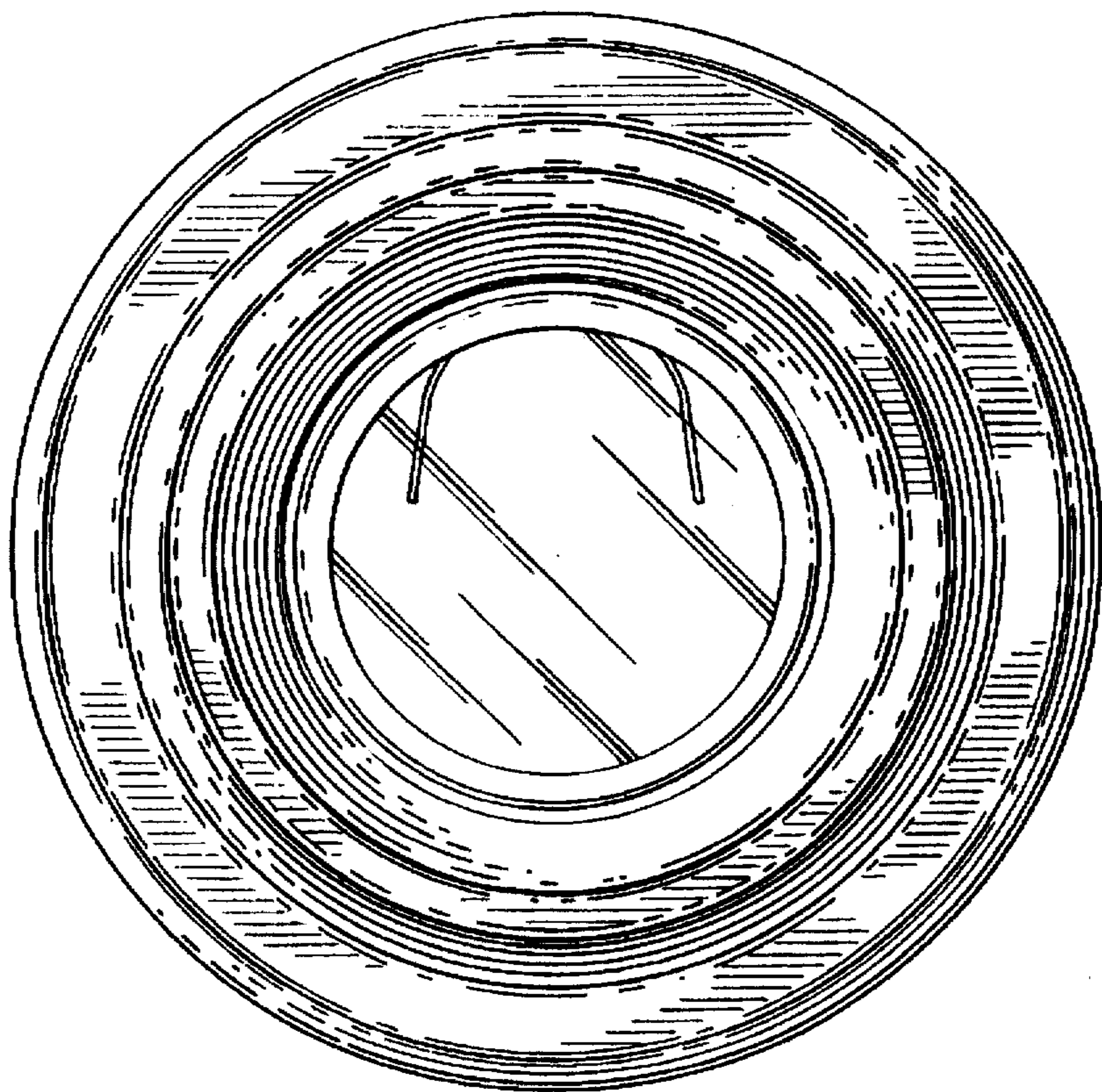


Fig. 2

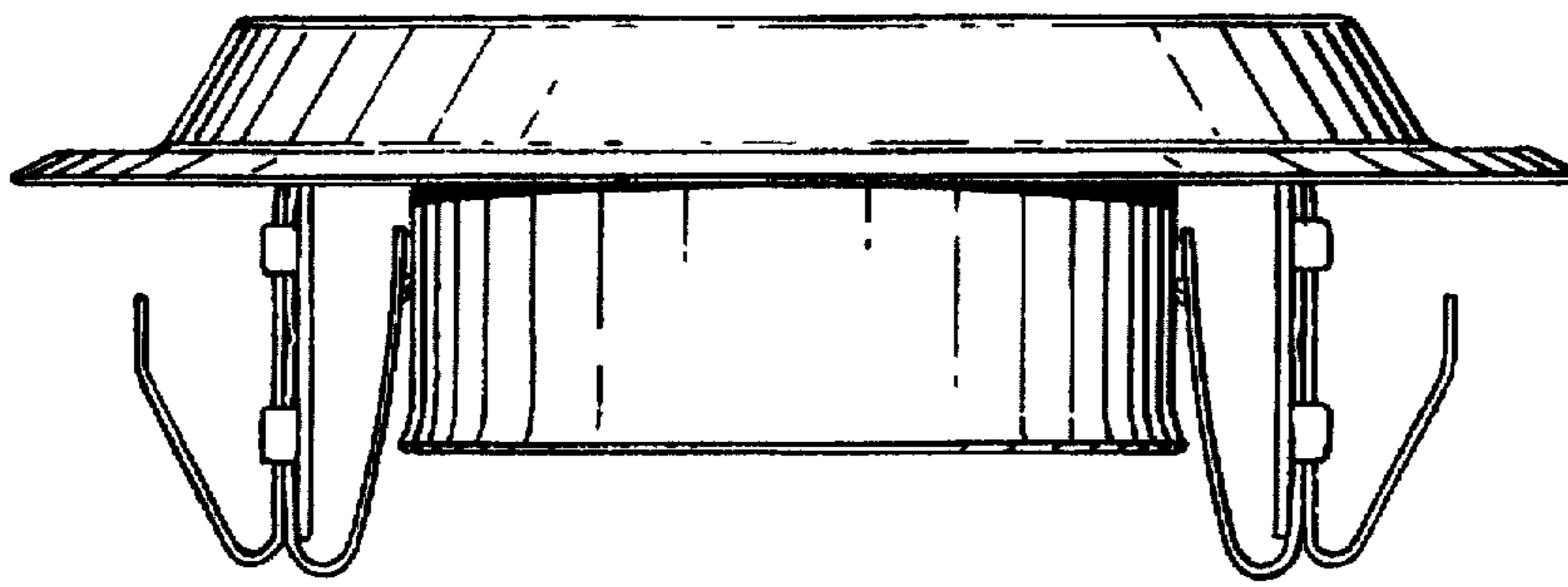


Fig. 3

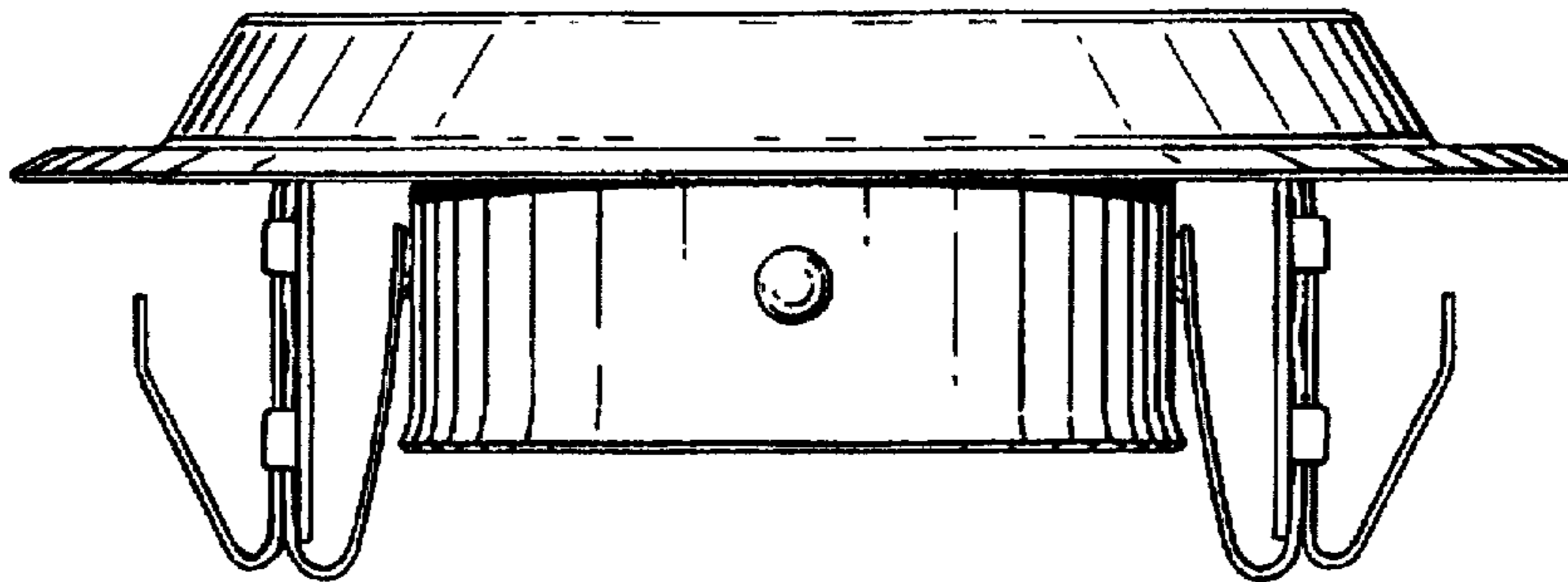


Fig. 4

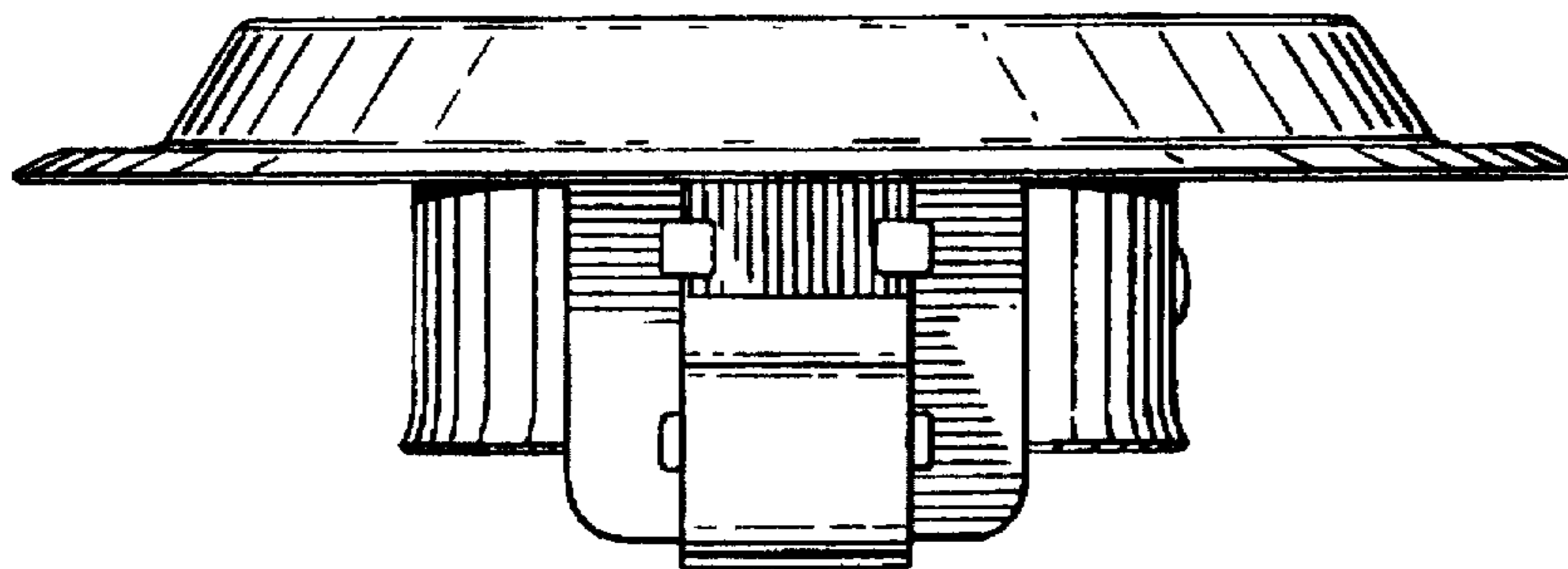


Fig. 5

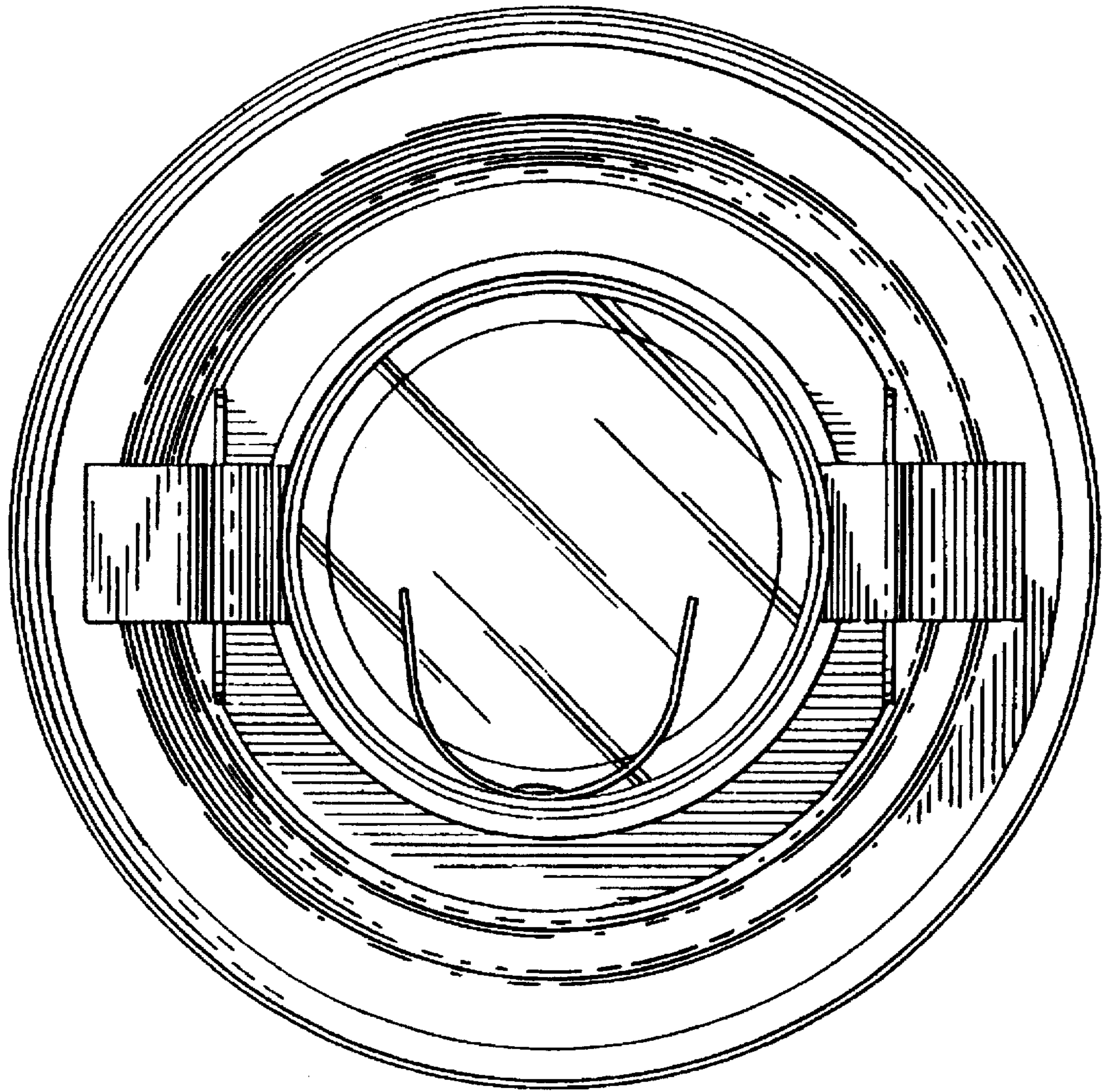


Fig. 6