



US00D386270S

# United States Patent [19]

[11] Patent Number: **Des. 386,270**

Rorke et al.

[45] Date of Patent: **\*\*Nov. 11, 1997**

[54] **FLEXIBLE LANTERN**

D. 373,651 9/1996 Szymanski ..... D26/43  
D. 377,989 2/1997 Marvin et al. .... D26/43

[75] Inventors: **Anthony Brooks Rorke**, Guilford;  
**Craig A. DuBois**, Trumbull, both of  
Conn.; **Thomas Swyst**, Arlington, Mass.

*Primary Examiner*—Marcus A. Jackson  
*Attorney, Agent, or Firm*—Barry E. Deutsch

[73] Assignee: **Black & Decker, Inc.**, Newark, Del.

### [57] CLAIM

[\*\*] Term: **14 Years**

The ornamental design for a flexible lantern, as shown and described.

[21] Appl. No.: **64,716**

### DESCRIPTION

[22] Filed: **Jan. 9, 1997**

FIG. 1 is a perspective view taken from the top, right side and rear of a flexible lantern illustrating our new design; FIG. 2 is a left side elevational view thereof; FIG. 3 is a right side elevational view thereof; FIG. 4 is a top plan view thereof; FIG. 5 is a bottom plan view thereof; FIG. 6 is a rear elevational view thereof; FIG. 7 is a front elevational view thereof; and, FIG. 8 is a perspective view taken from the front, top and right side of our design illustrating the light portion of the lantern separated from the base portion of the lantern.

[51] LOC (6) Cl. .... **26-02**

[52] U.S. Cl. .... **D26/43**

[58] Field of Search ..... D26/37-50; 362/157,  
362/158, 184, 188, 189, 191, 198, 199,  
200, 202, 362, 396

### [56] References Cited

#### U.S. PATENT DOCUMENTS

D. 370,278 5/1996 Nolan ..... D26/43  
D. 370,280 5/1996 Kaiser ..... D26/43  
D. 370,987 6/1996 Santarsiero ..... D26/43

**1 Claim, 4 Drawing Sheets**

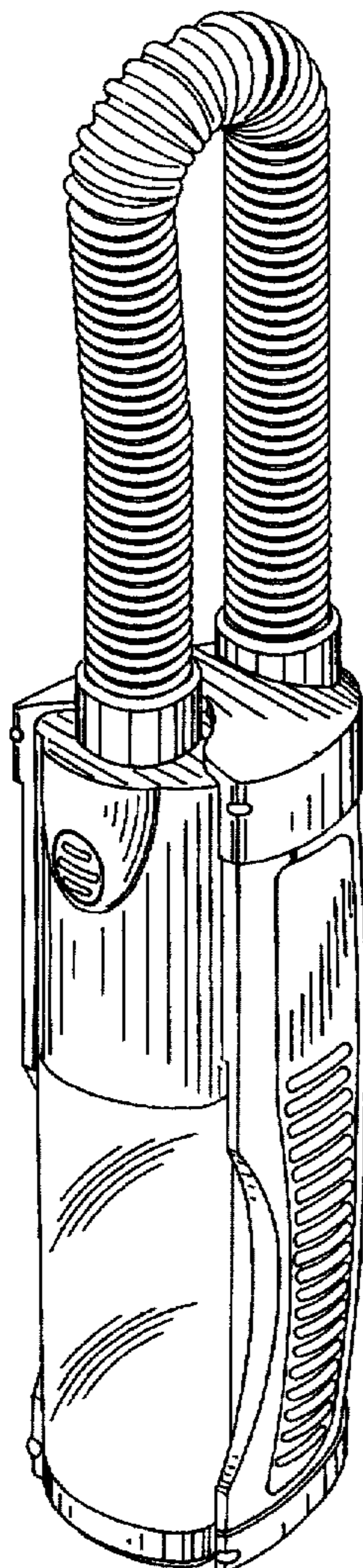


FIG. 1

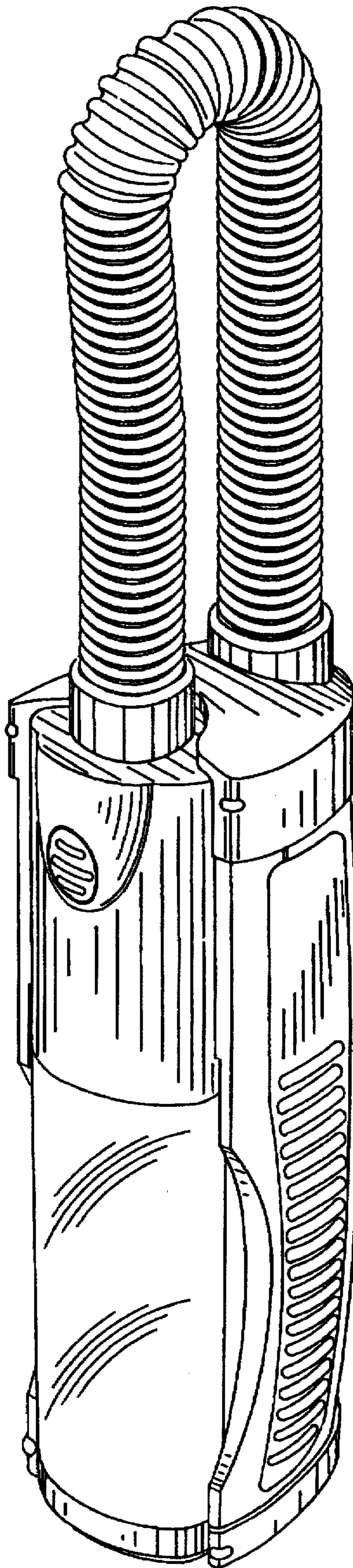


FIG. 2

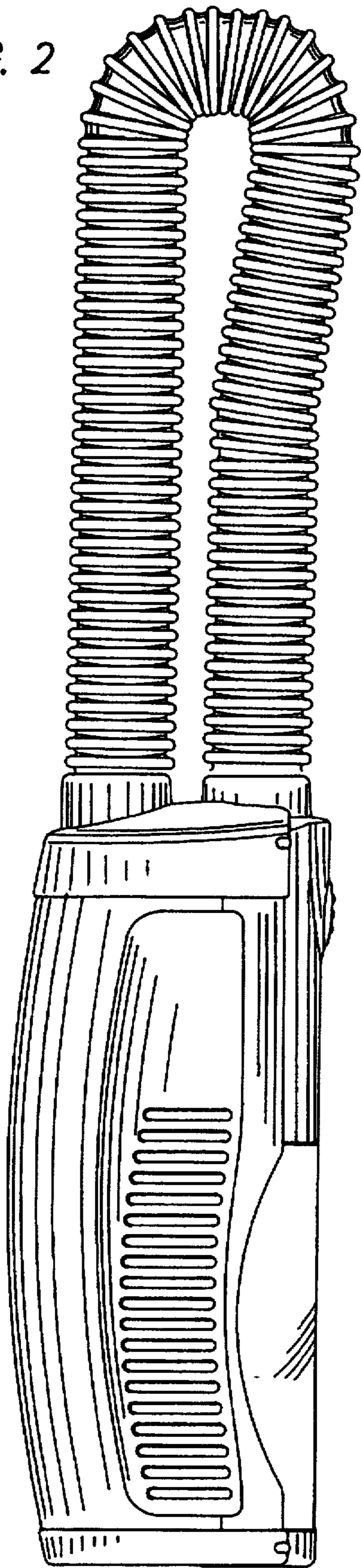


FIG. 3

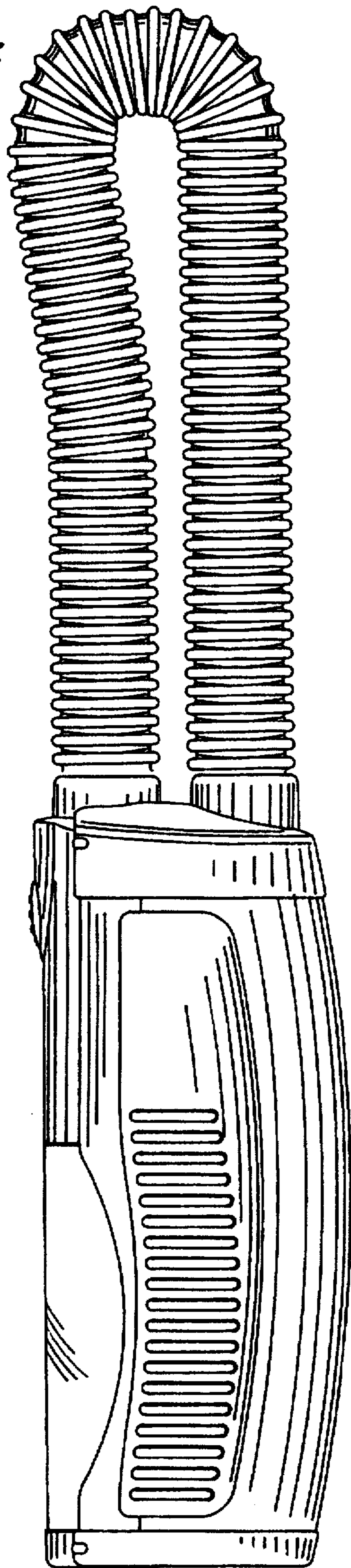


FIG. 4

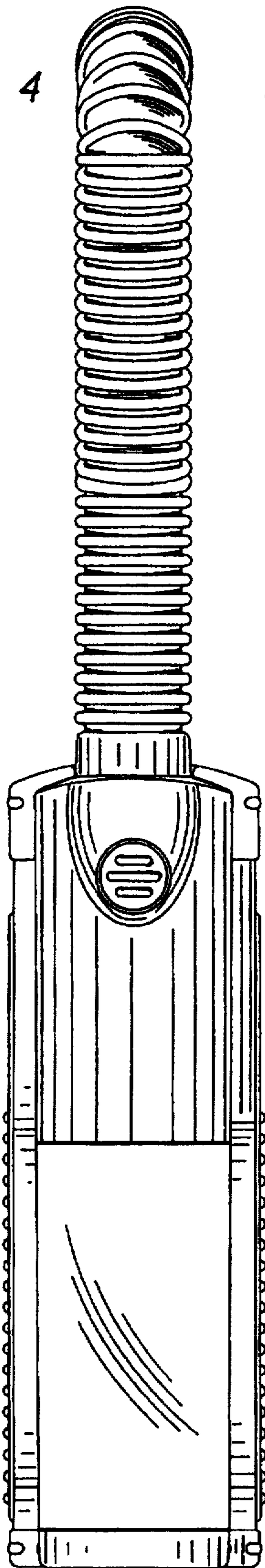


FIG. 5

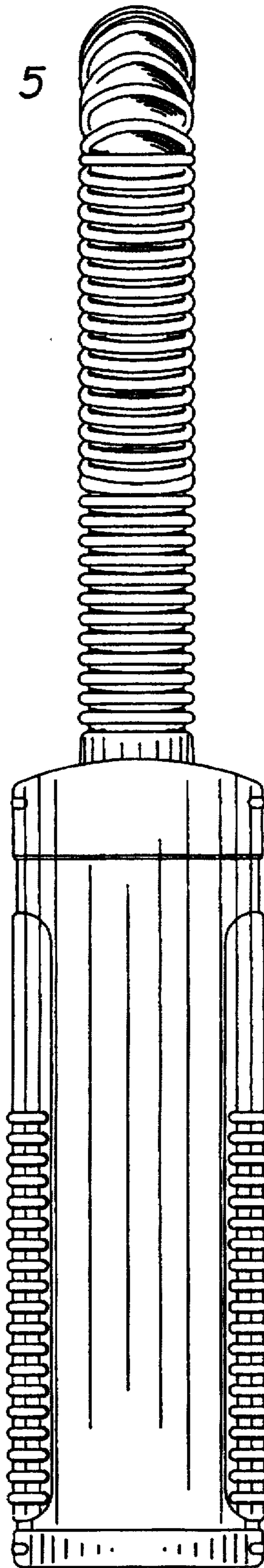


FIG. 6

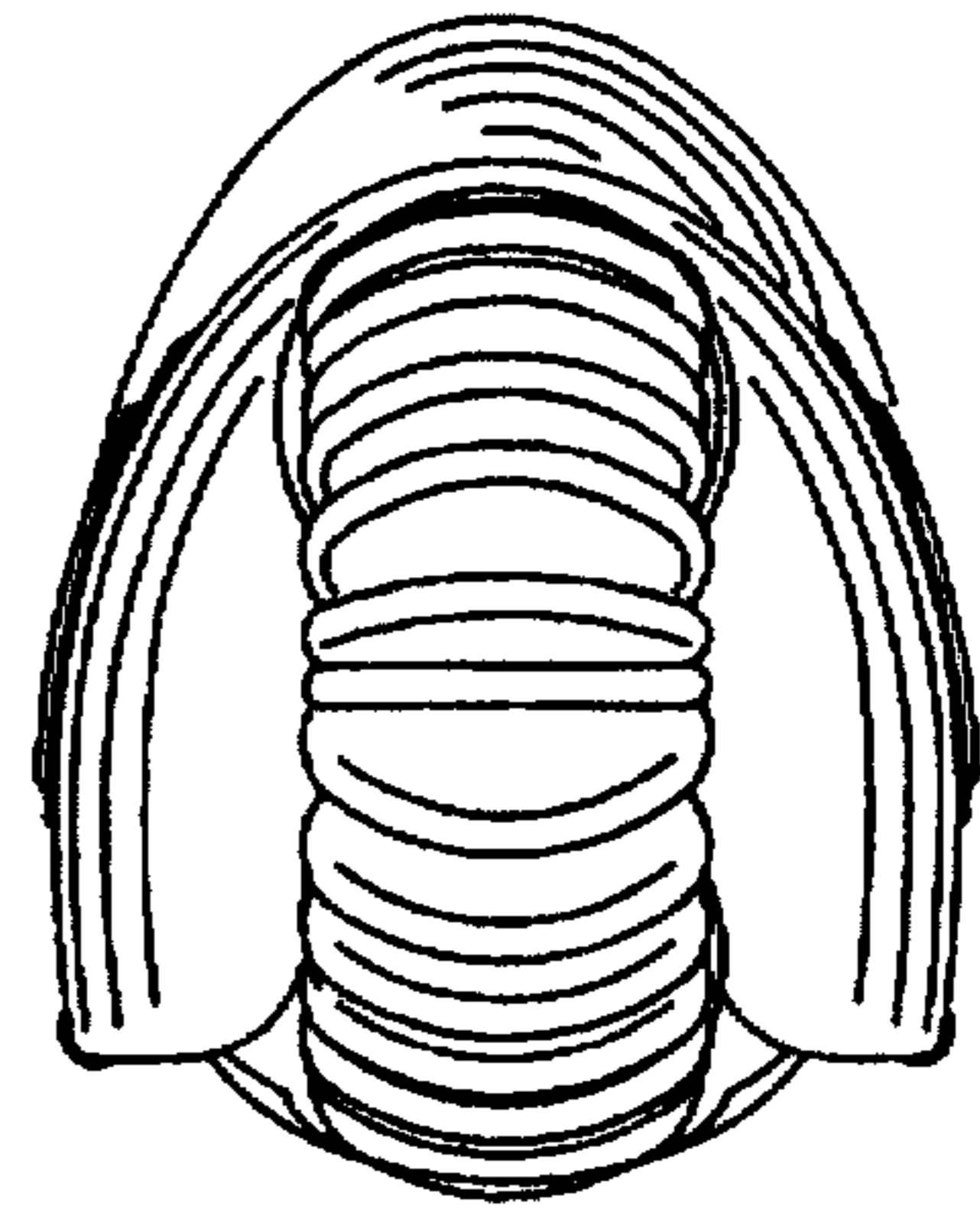
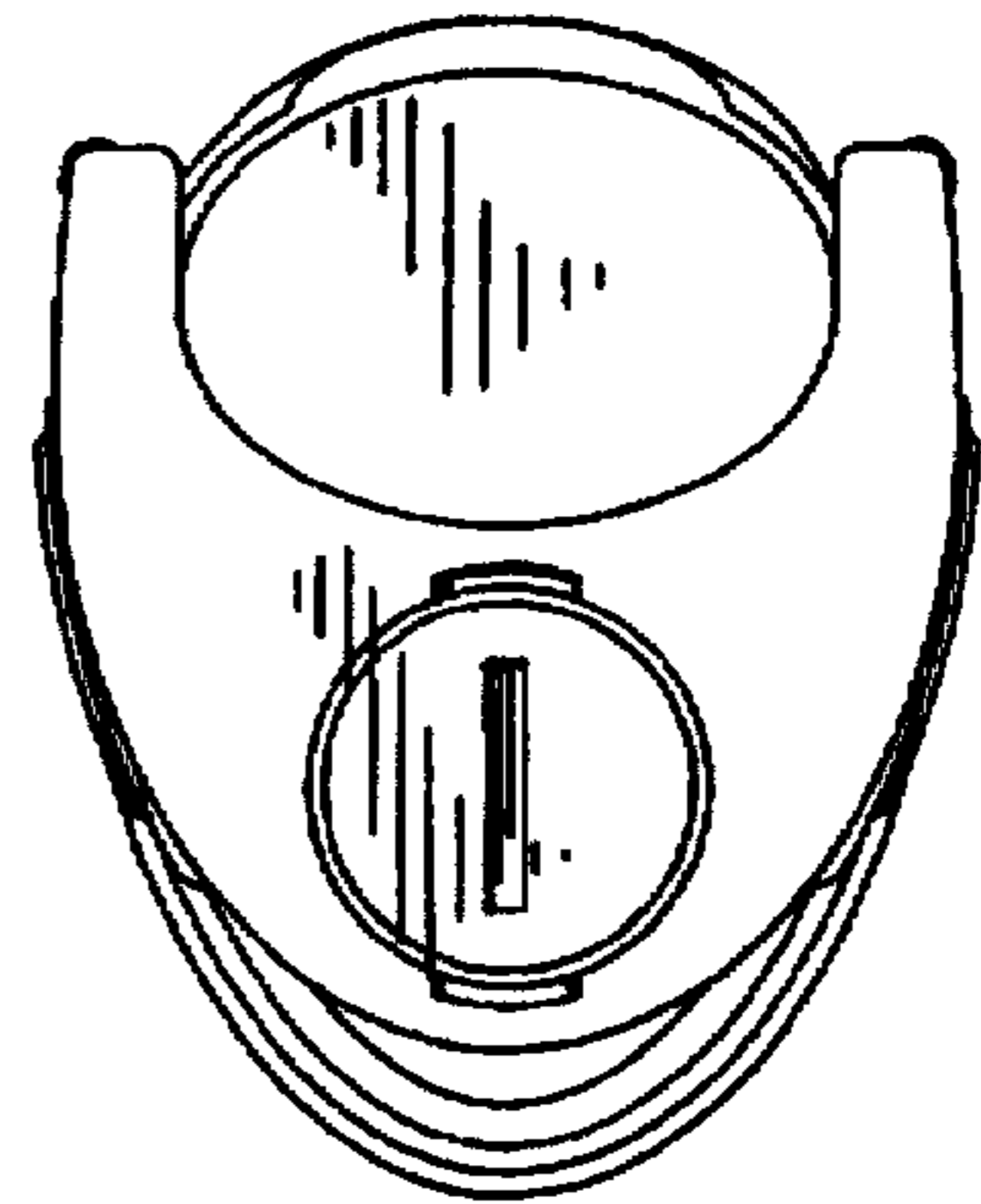


FIG. 7



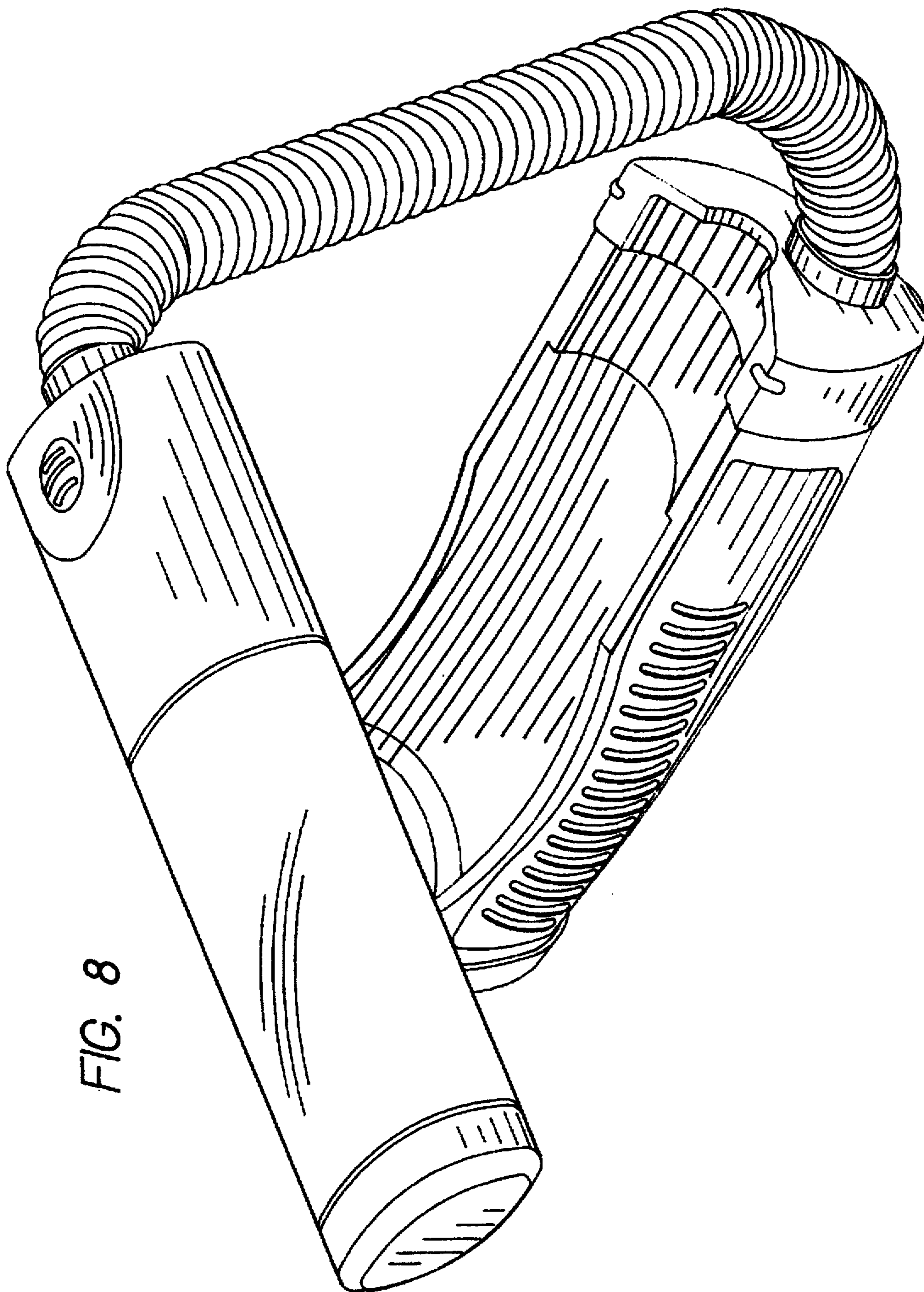


FIG. 8