



US00D386269S

United States Patent [19] Lam

[11] Patent Number: **Des. 386,269**
[45] Date of Patent: ****Nov. 11, 1997**

[54] **TORCH**
[75] Inventor: **Yuen-Ming Lam, Chaiwan, Hong Kong**
[73] Assignee: **Goldmaster Development Limited, Hong Kong**
[**] Term: **14 Years**
[21] Appl. No.: **61,017**
[22] Filed: **Oct. 15, 1996**
[51] LOC (6) Cl. **26-02**
[52] U.S. Cl. **D26/37**
[58] Field of Search **D26/37-50; 362/103, 362/108, 109, 156, 158, 157, 183-208**

D. 348,942 7/1994 Yuen D26/42
D. 363,563 10/1995 Yuen D26/42
D. 375,569 11/1996 Hwang D26/37

Primary Examiner—Marcus A. Jackson
Attorney, Agent, or Firm—Burns, Doane, Swecker & Mathis

[57] CLAIM

The ornamental design for a "torch" as shown and described.

DESCRIPTION

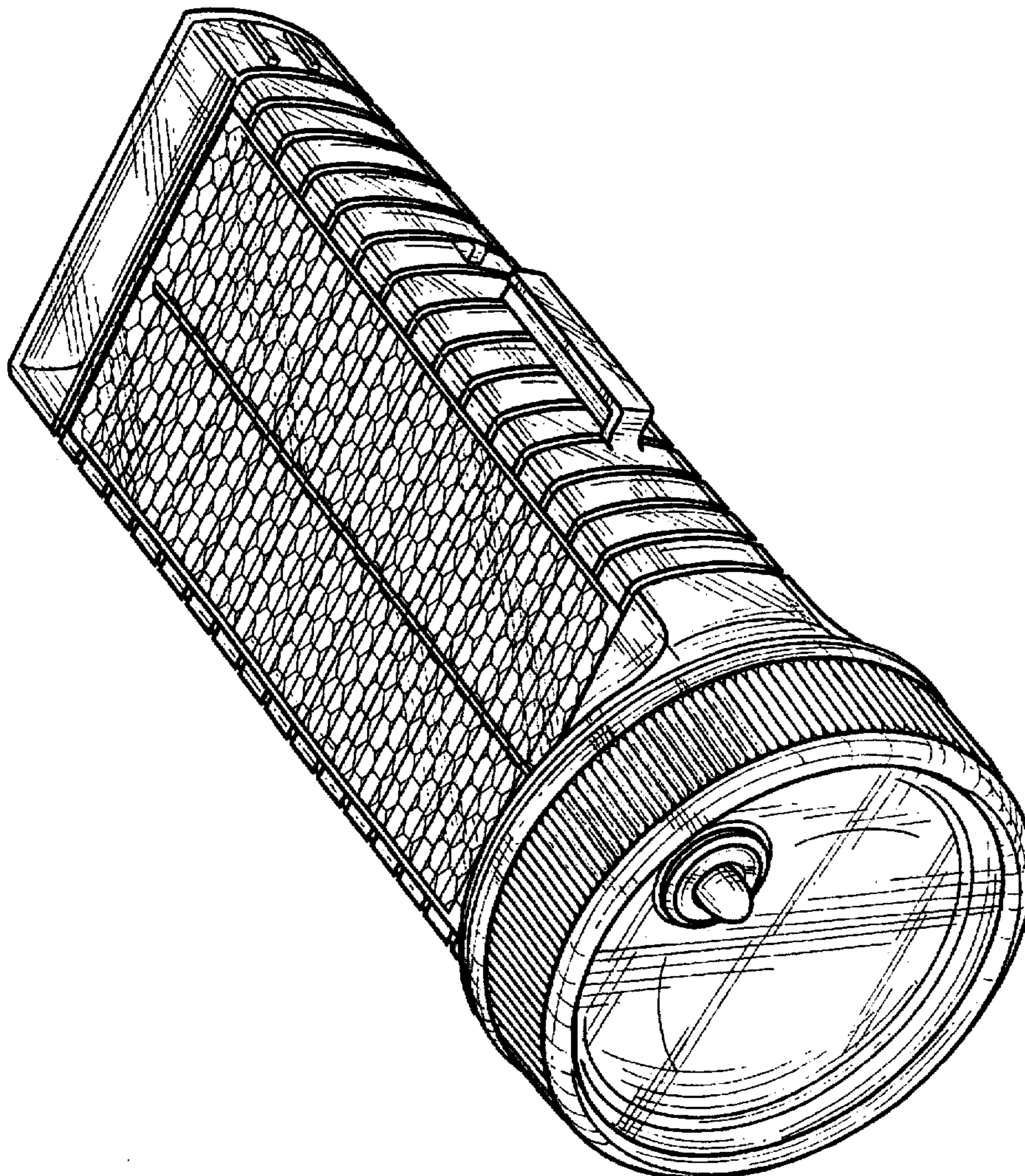
FIG. 1 is a front view of a "torch" showing my design;
FIG. 2 is a rear view thereof;
FIG. 3 is a top plan view thereof;
FIG. 4 is a bottom plan view thereof;
FIG. 5 is a left side elevational view thereof;
FIG. 6 is a right side elevational view thereof; and,
FIG. 7 is a perspective view thereof.

[56] References Cited

U.S. PATENT DOCUMENTS

D. 265,594 7/1982 Mann D26/37
D. 267,514 1/1983 Zeung D26/37

1 Claim, 7 Drawing Sheets



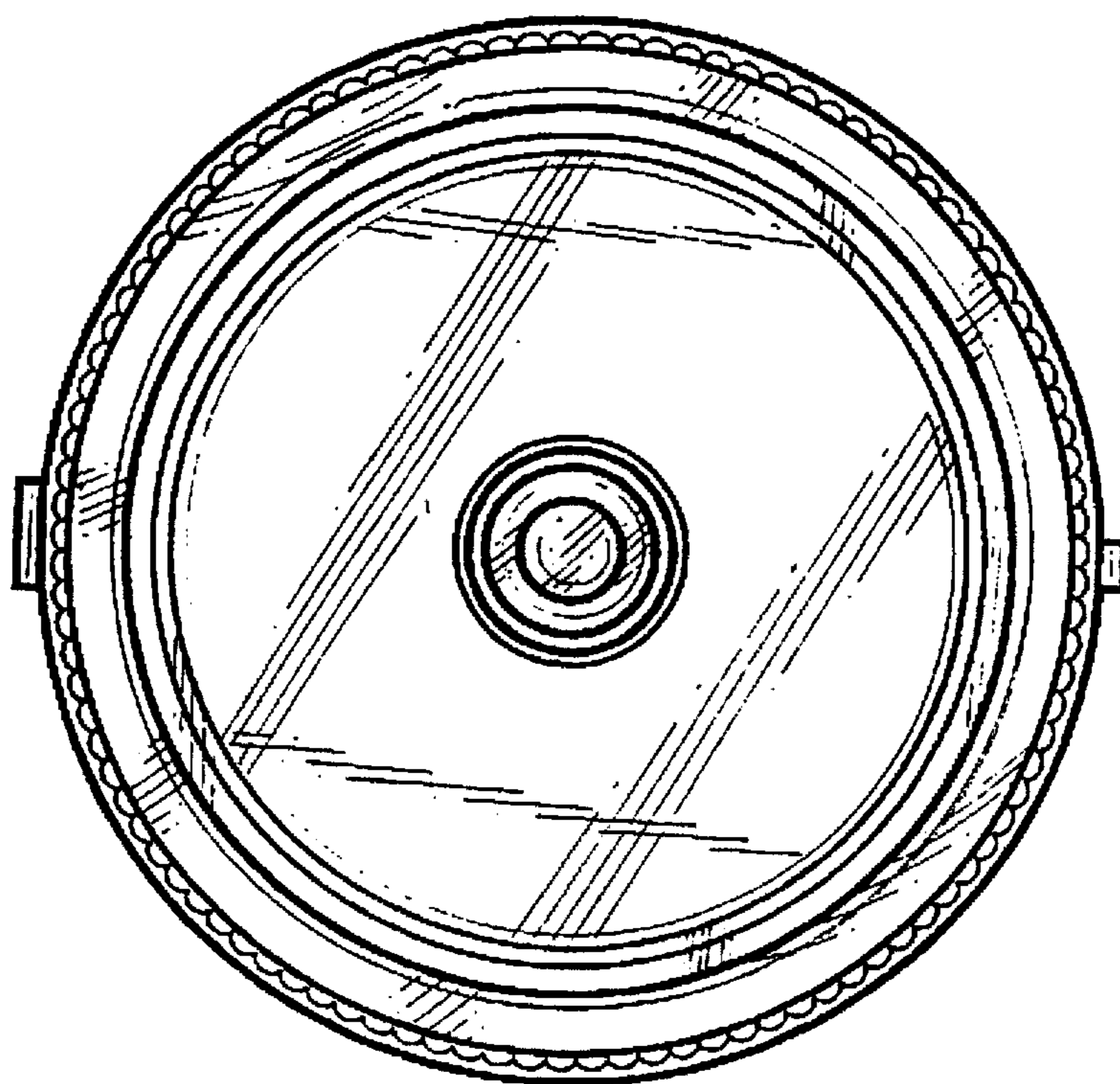


FIG. 1

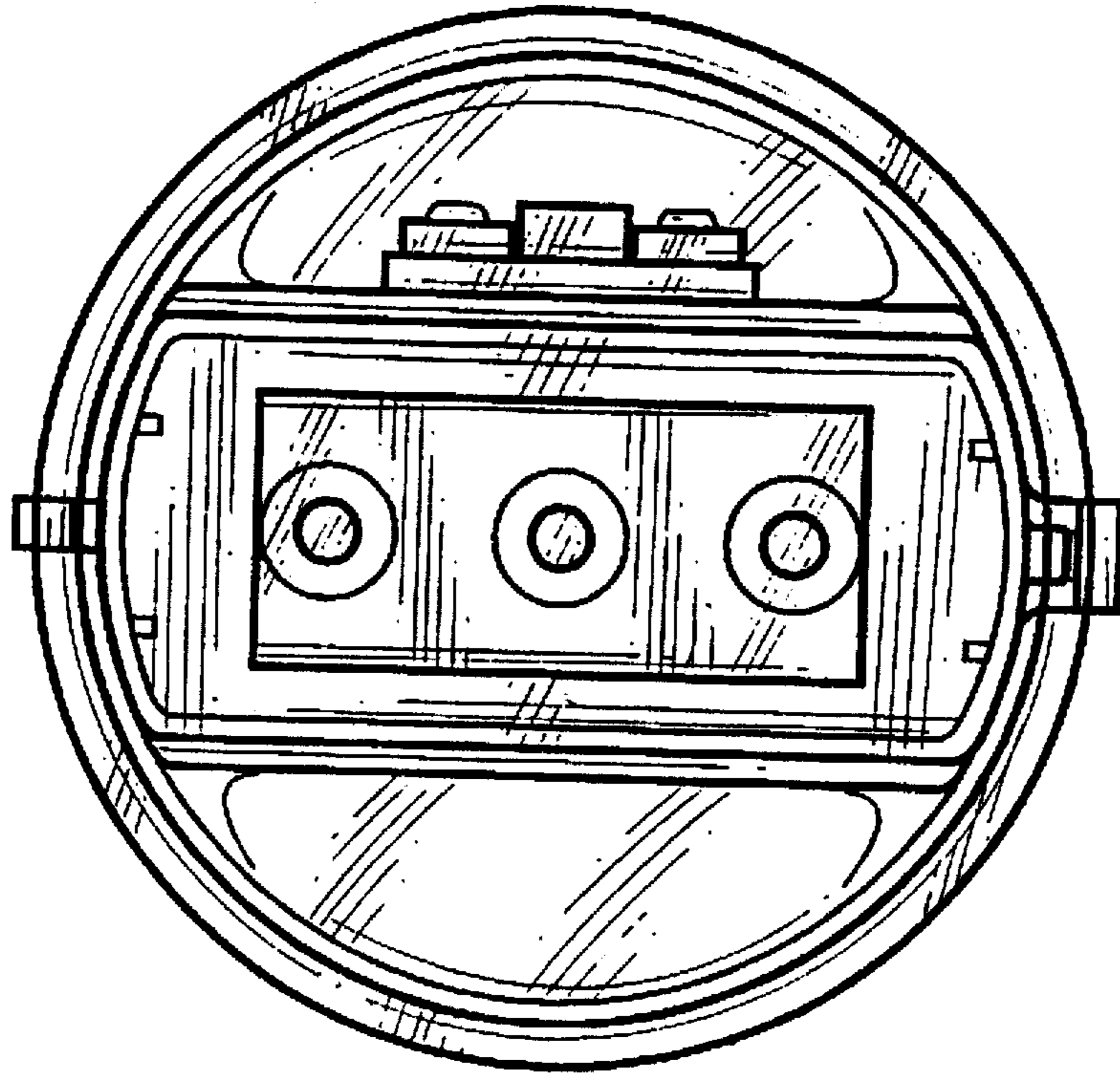


FIG. 2

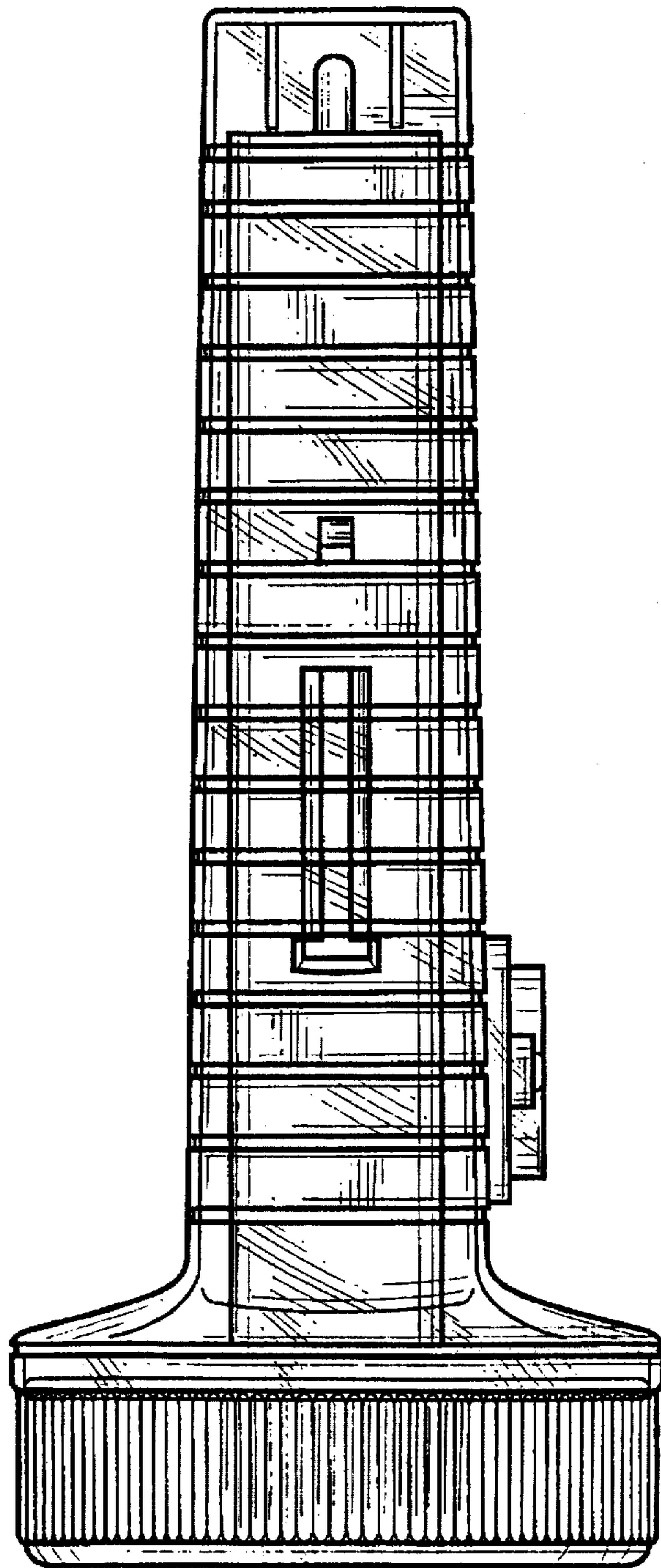


FIG. 3

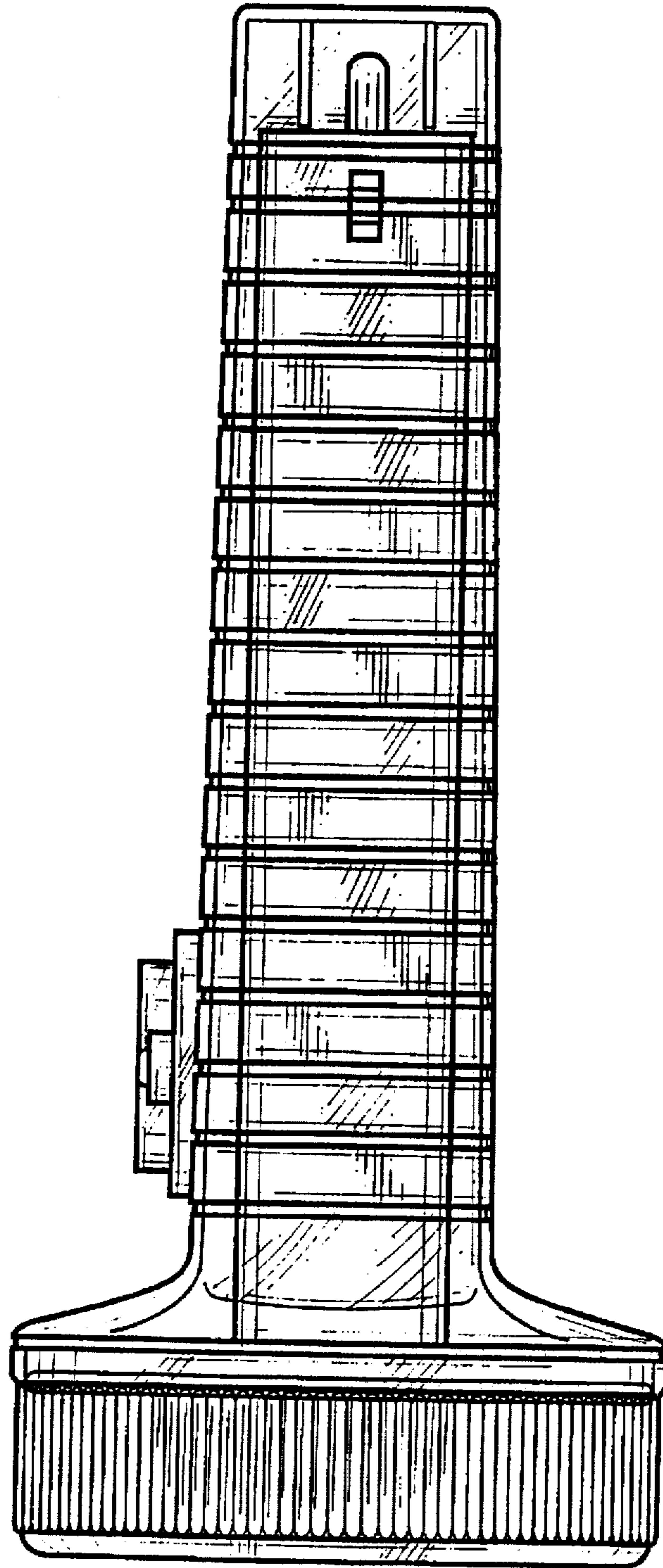


FIG. 4

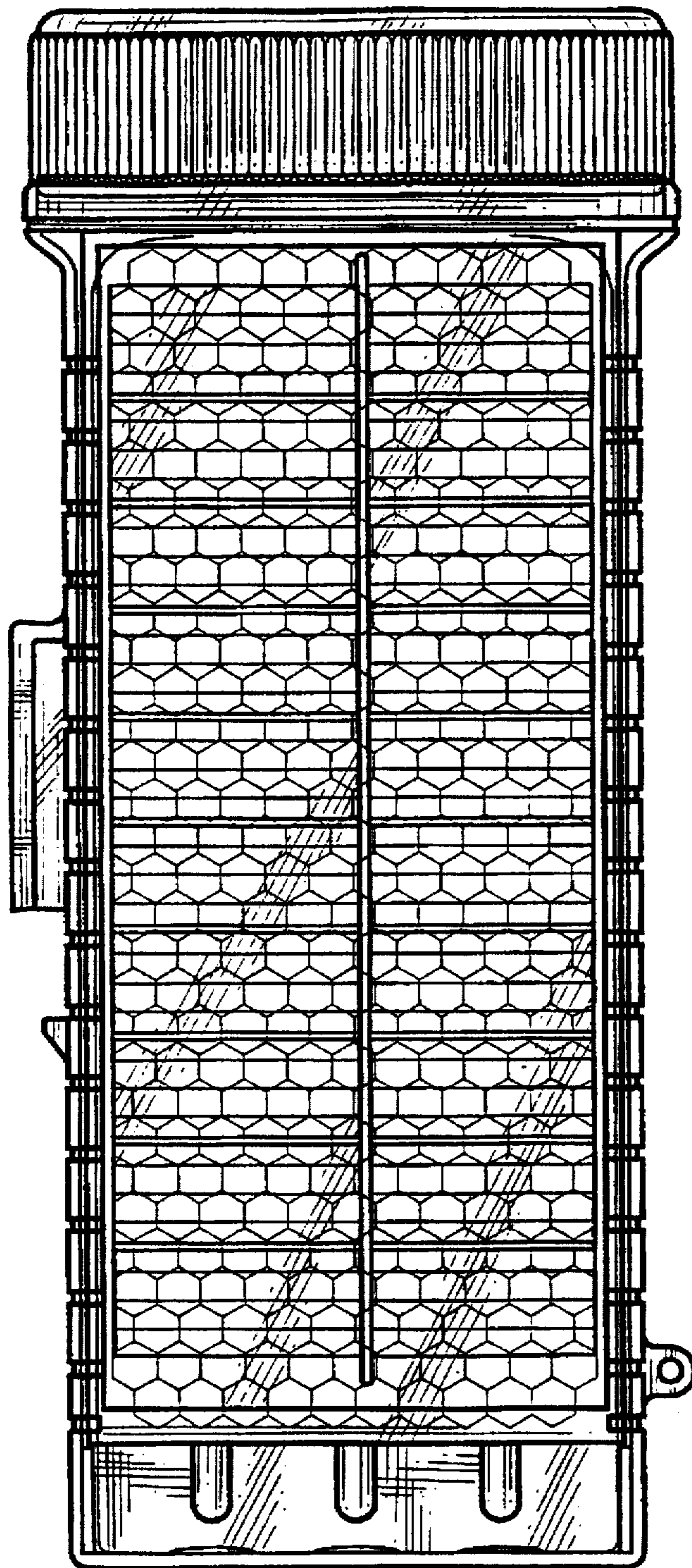


FIG. 5

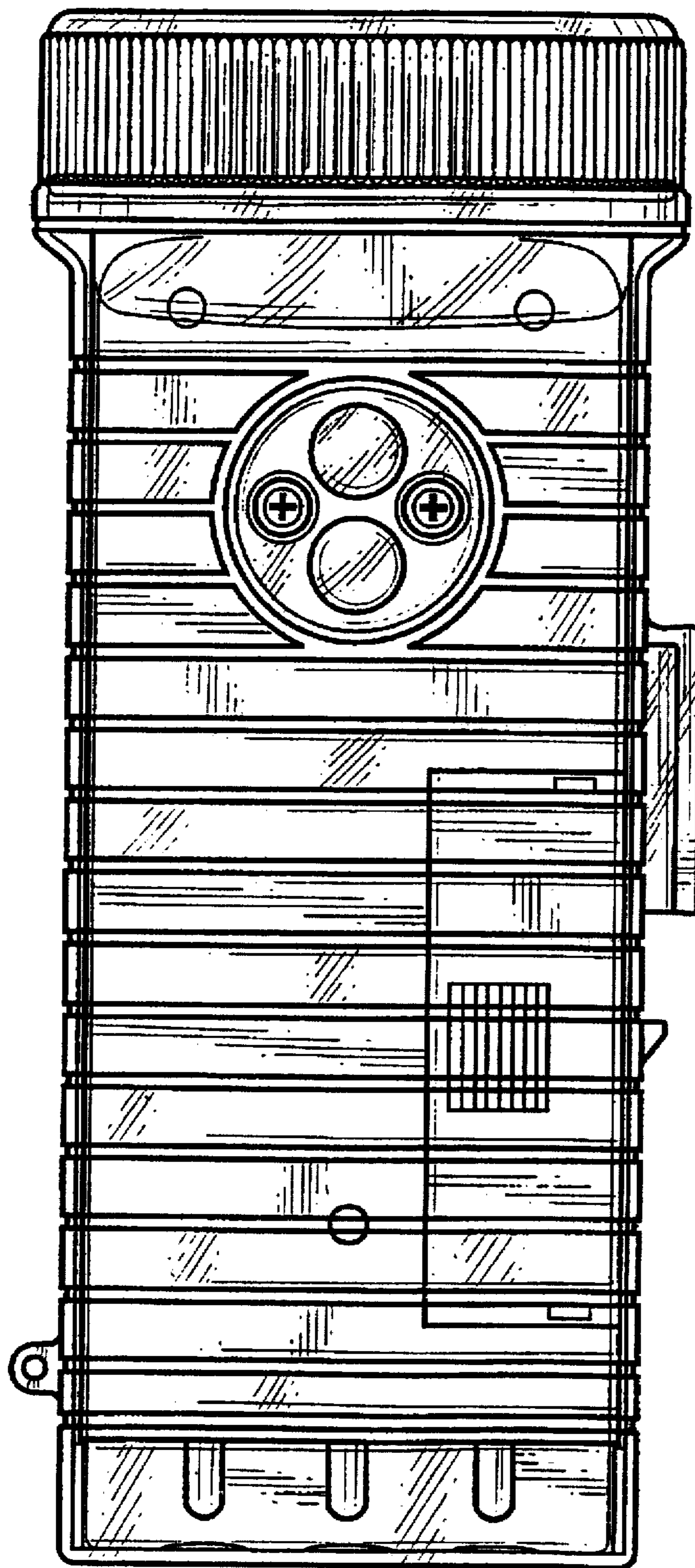


FIG. 6

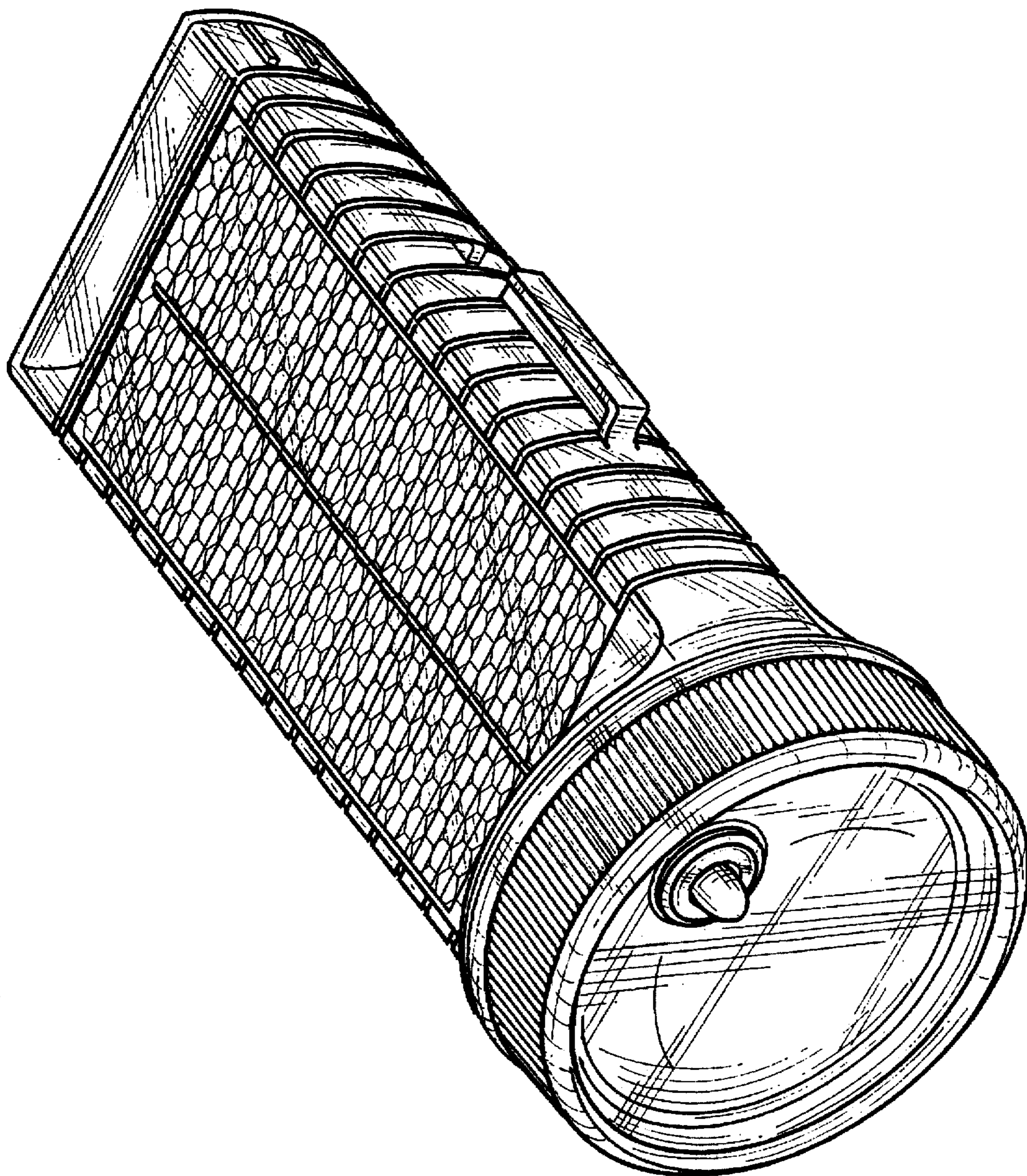


FIG. 7