

US00D386267S

United States Patent [19]
Tickner

[11] **Patent Number: Des. 386,267**
[45] **Date of Patent: **Nov. 11, 1997**

[54] **FLUORESCENT TUBE LIGHT END CAP**

[75] **Inventor: Jerold Tickner, Phoenix, Ariz.**

[73] **Assignee: Transition Lighting, Inc., Phoenix, Ariz.**

[**] **Term: 14 Years**

[21] **Appl. No.: 63,804**

[22] **Filed: Dec. 16, 1996**

[51] **LOC (6) Cl. 26-04**

[52] **U.S. Cl. D26/3**

[58] **Field of Search D26/1, 2, 3, 4;
313/1, 25, 318, 633; 362/310, 448, 455**

[56] **References Cited**

U.S. PATENT DOCUMENTS

- D. 232,558 8/1974 Hermanson D26/2
- D. 355,038 1/1995 Ortiz D26/2

Primary Examiner—Marcus A. Jackson
Attorney, Agent, or Firm—Meschkow & Gresham, P.L.C.

[57] **CLAIM**

The ornamental design for a fluorescent tube light end cap, as shown and described.

DESCRIPTION

FIG. 1 is a front perspective view of a fluorescent tube light end cap, showing my new design therefor;

FIG. 2 is a frontal view therefor;

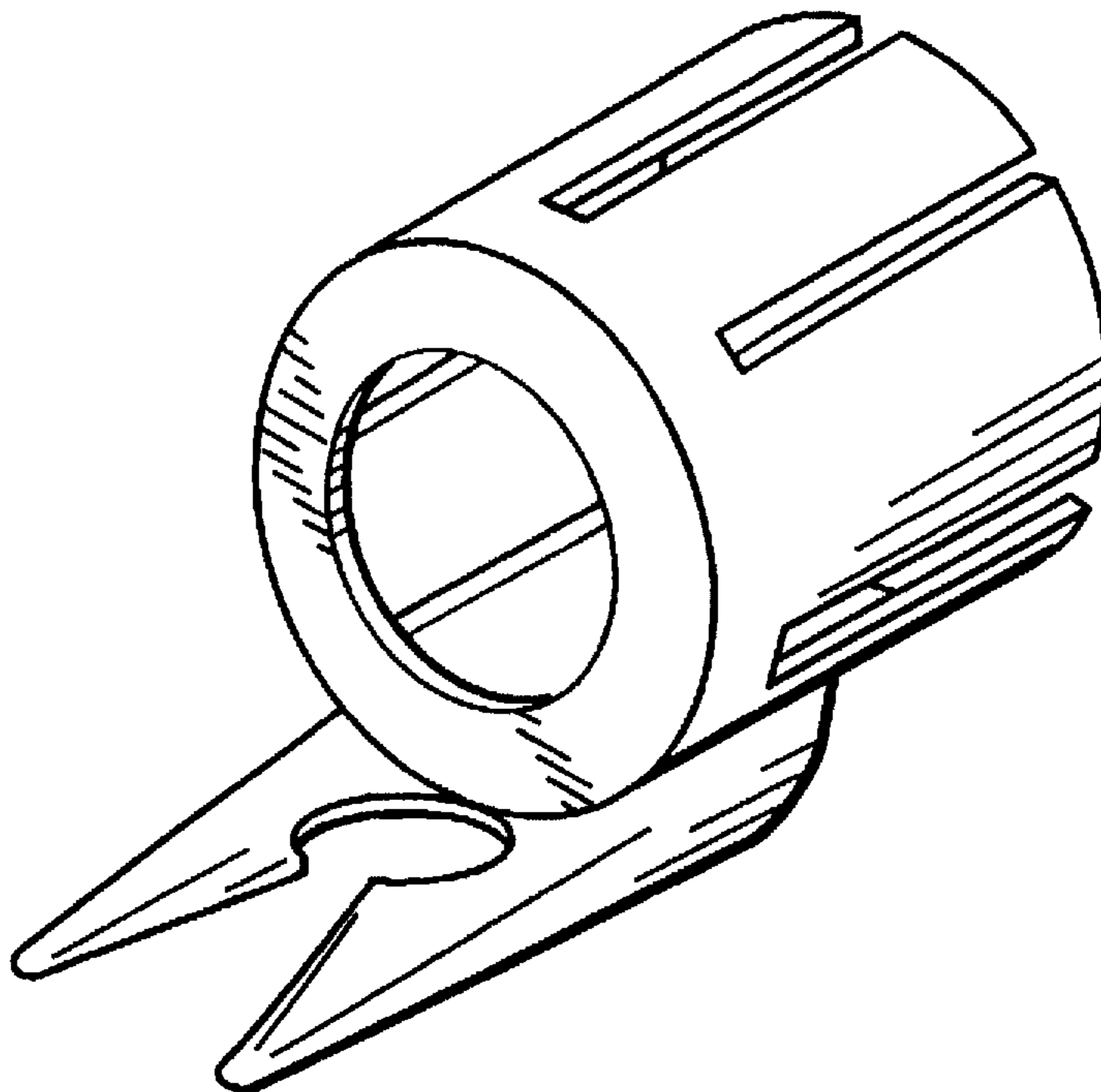
FIG. 3 is a side view therefor, showing the left side, and the right side being a mirror image thereof;

FIG. 4 is a rear view therefor;

FIG. 5 is a bottom plan view therefor; and,

FIG. 6 is a top plan view therefor.

1 Claim, 1 Drawing Sheet



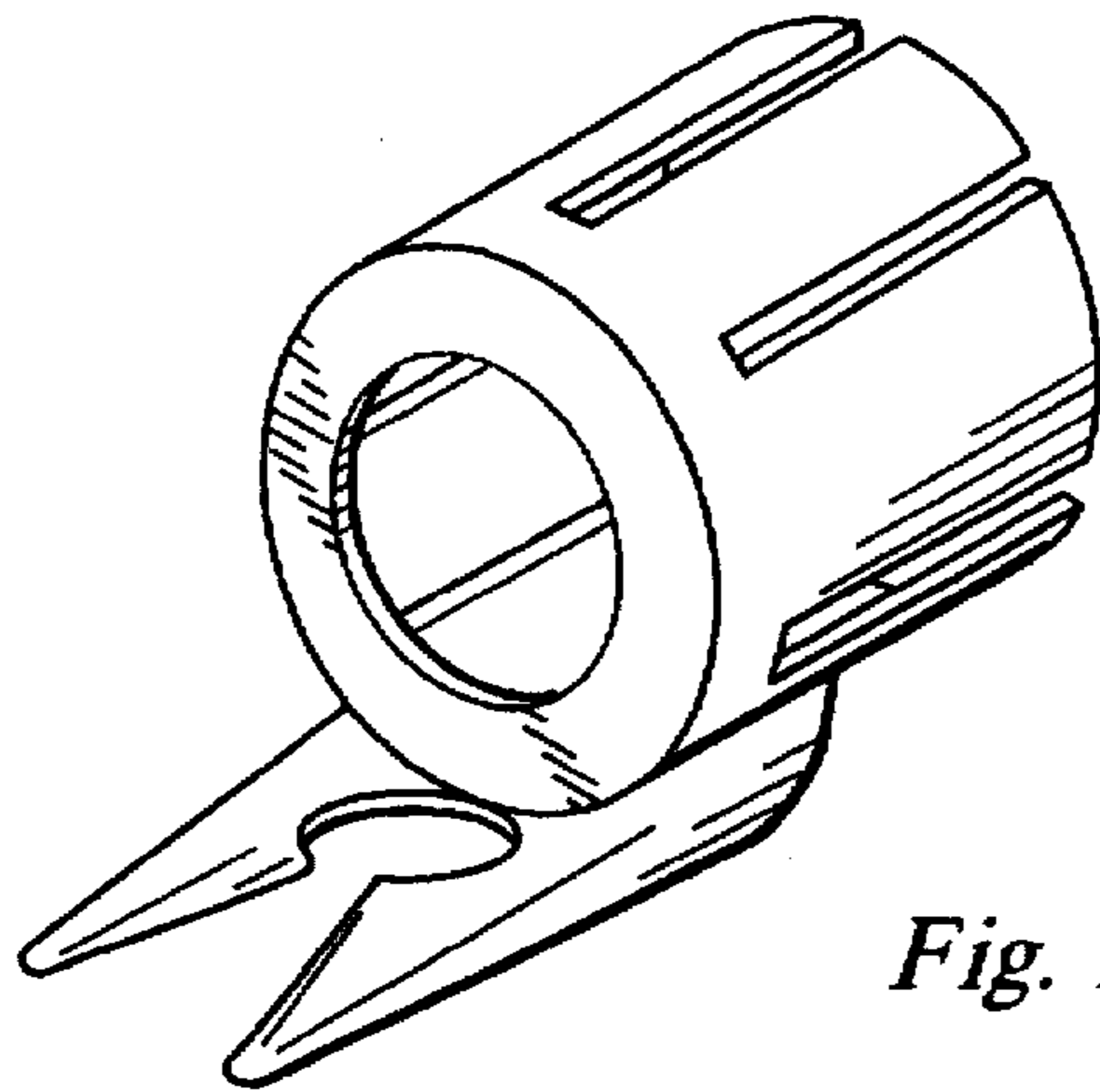


Fig. 1

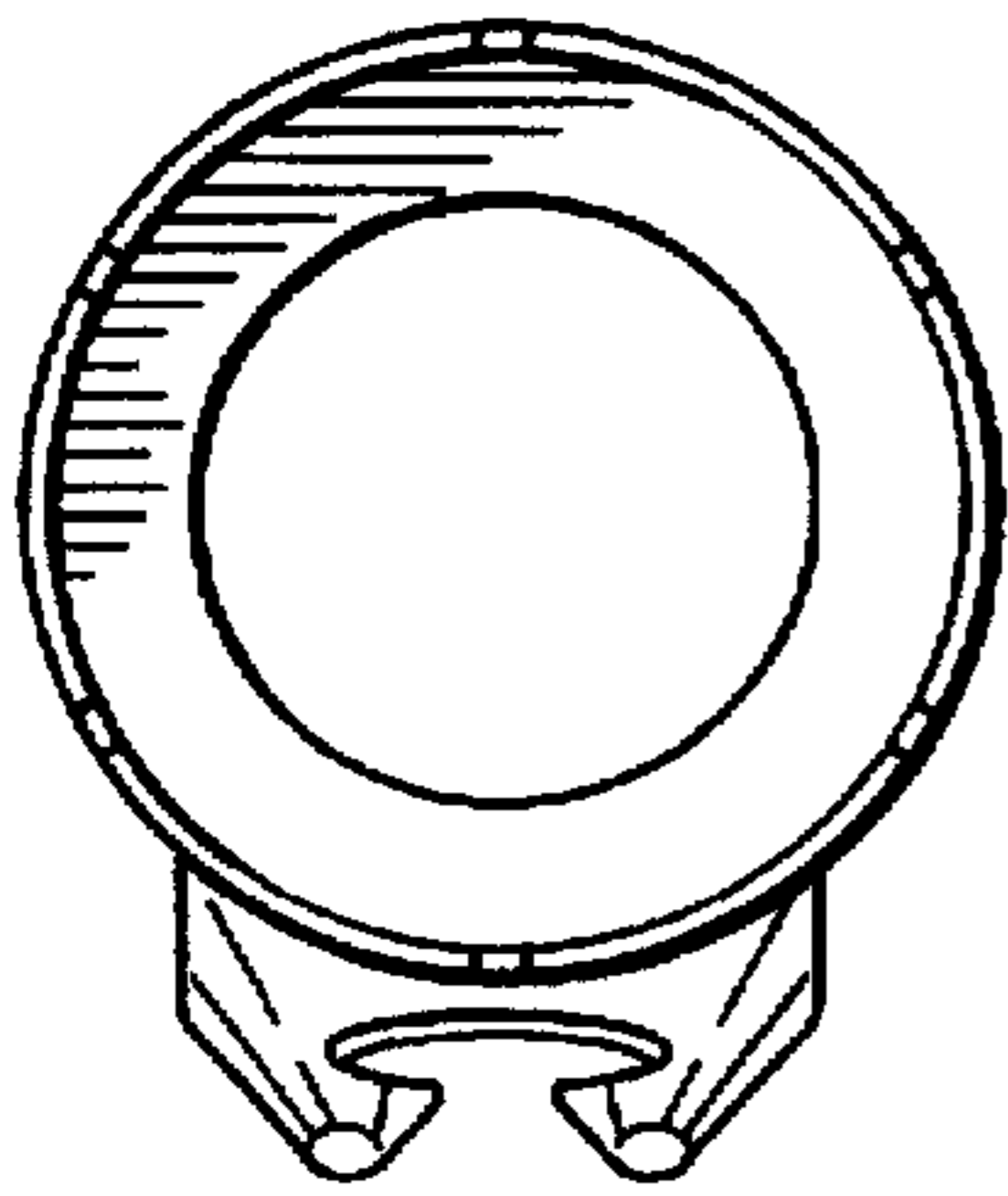


Fig. 2

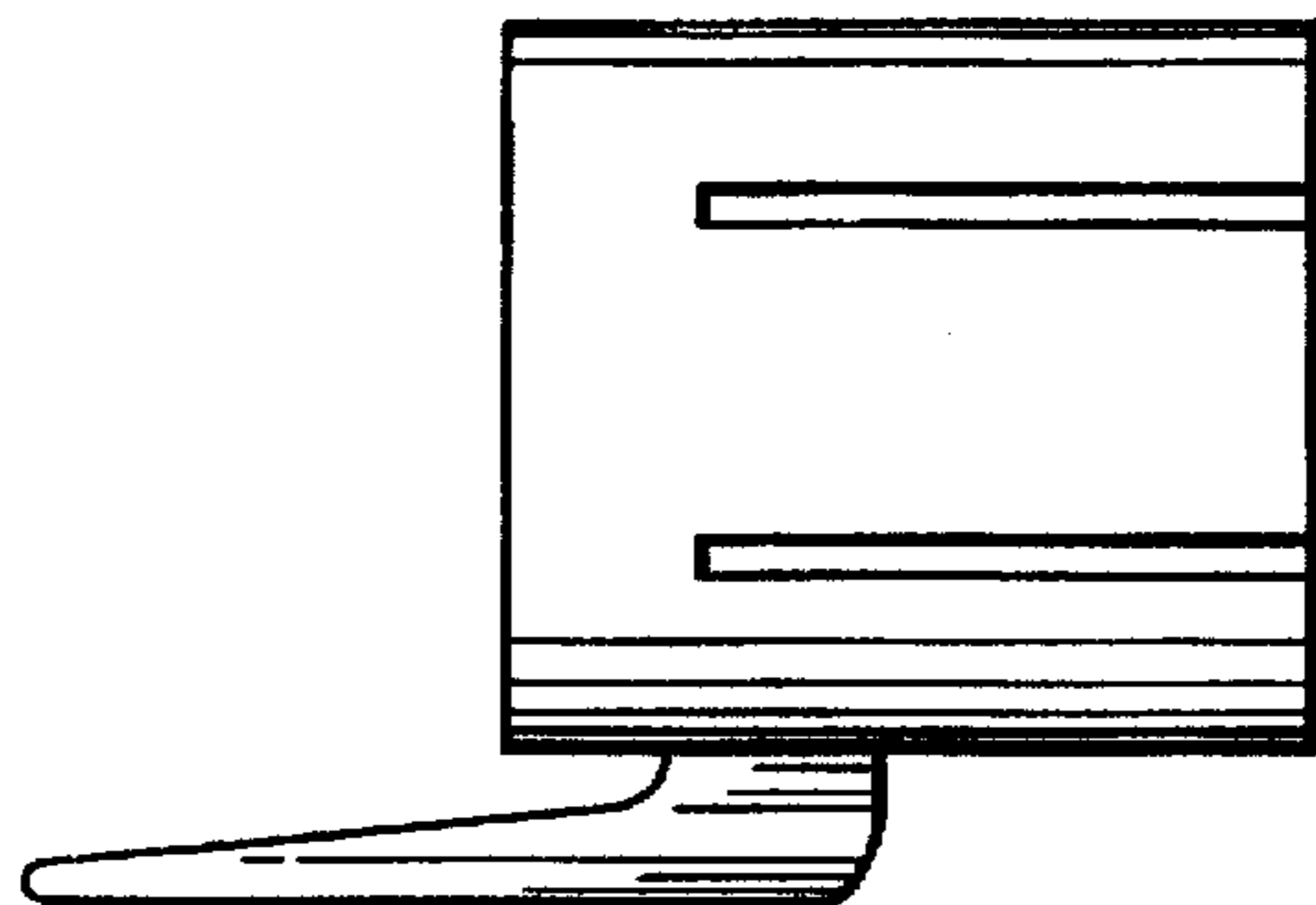


Fig. 3

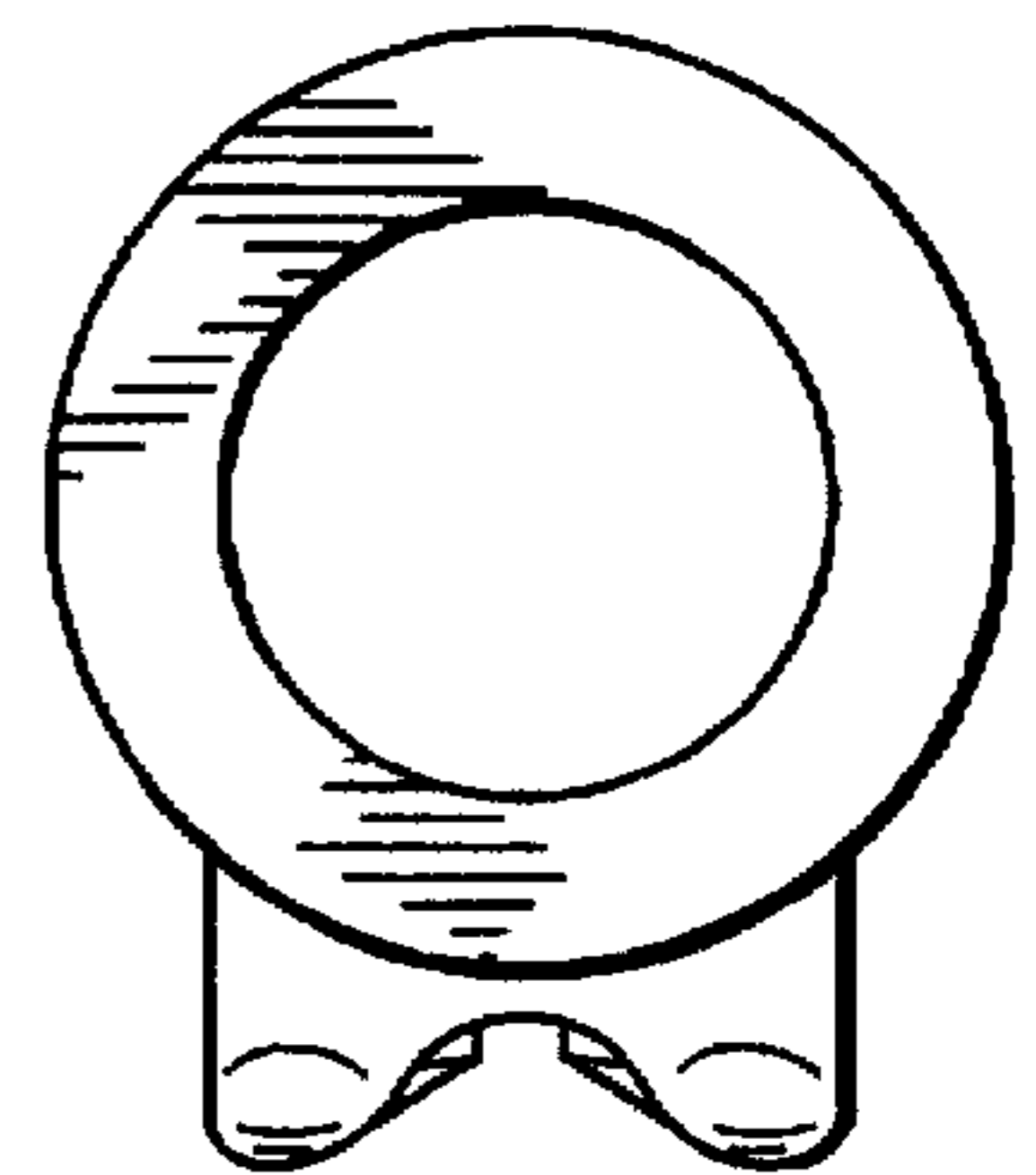


Fig. 4

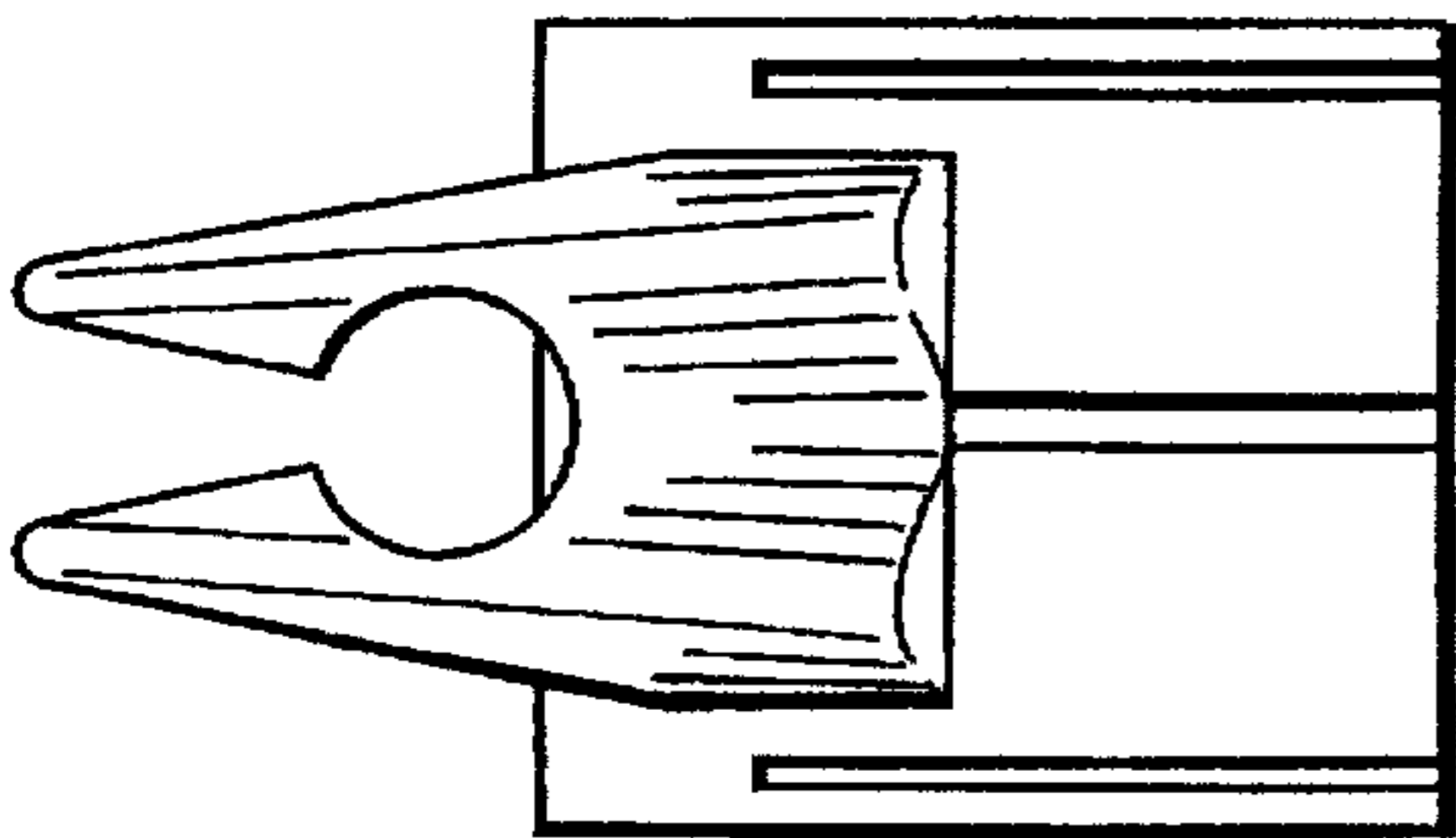


Fig. 5

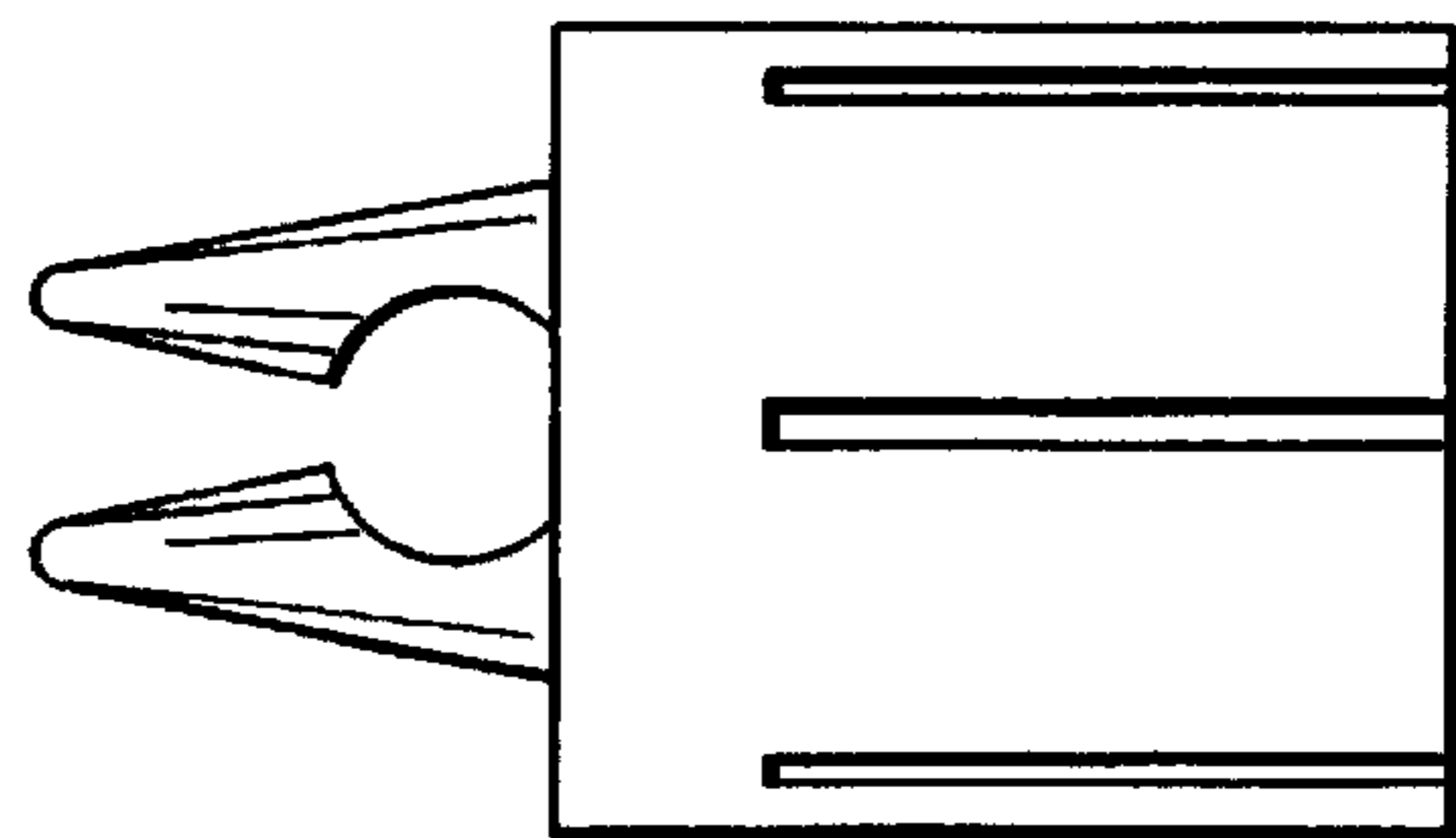


Fig. 6