



US00D386266S

# United States Patent [19]

[11] Patent Number: **Des. 386,266**

Dallaire et al.

[45] Date of Patent: **\*\*Nov. 11, 1997**

[54] **PATIO DOOR HEADER**

[75] Inventors: **Raymond Dallaire; Dominique Dallaire**, both of Levis, Canada

[73] Assignee: **Dallaire Industries Ltd.**, Levis, Canada

[\*\*] Term: **14 Years**

[21] Appl. No.: **60,768**

[22] Filed: **Oct. 7, 1996**

[51] LOC (6) Cl. .... **25-01**

[52] U.S. Cl. .... **D25/124**

[58] Field of Search ..... **D25/60, 119-125; 52/204.5; 49/501, 504, DIG. 2, 407-408**

[56] **References Cited**

**U.S. PATENT DOCUMENTS**

D. 325,094 3/1992 Dallaire ..... **D25/124**

D. 327,331 6/1992 Dallaire et al. .... **D25/124**

*Primary Examiner*—Doris Clark

*Attorney, Agent, or Firm*—Thomas, Kayden, Horstemeyer & Risley

[57] **CLAIM**

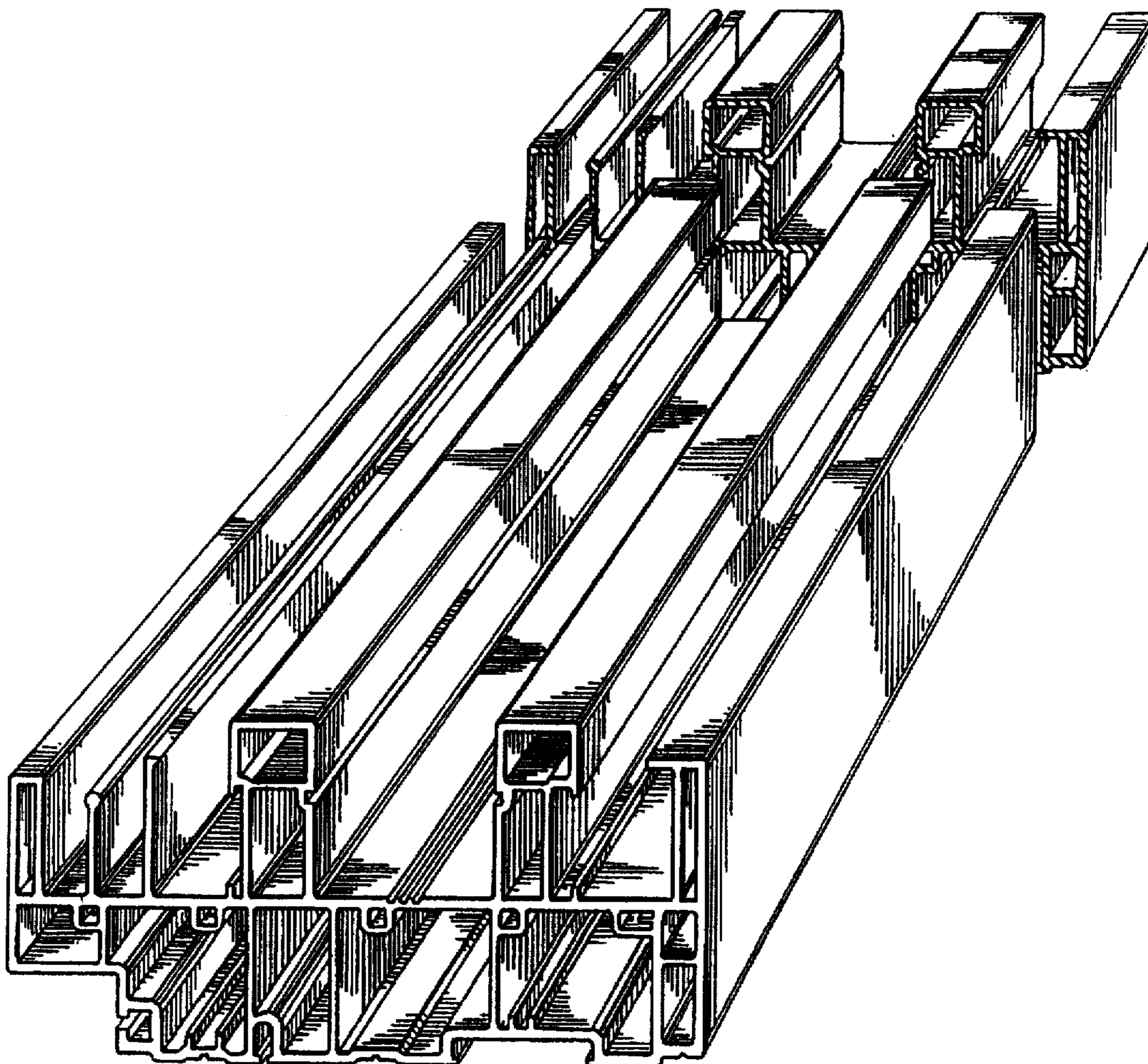
The ornamental design for a patio door header, as shown and described.

**DESCRIPTION**

FIG. 1 is a perspective view showing our new design;  
 FIG. 2 is a left end elevational view thereof;  
 FIG. 3 is a right end elevational view thereof;  
 FIG. 4 is a top plan view thereof;  
 FIG. 5 is a bottom plan view thereof;  
 FIG. 6 is a rear elevational view thereof;  
 FIG. 7 is a front elevational view thereof;  
 FIG. 8 is a perspective view of a second embodiment of a patio door header;  
 FIG. 9 is a left end elevational view thereof;  
 FIG. 10 is a right end elevational view thereof;  
 FIG. 11 is a top plan view thereof;  
 FIG. 12 is a bottom plan view thereof;  
 FIG. 13 is a rear elevational view thereof; and,  
 FIG. 14 is a front elevational view thereof.

The patio door header is broken in the center to indicate indeterminate length.

**1 Claim, 10 Drawing Sheets**



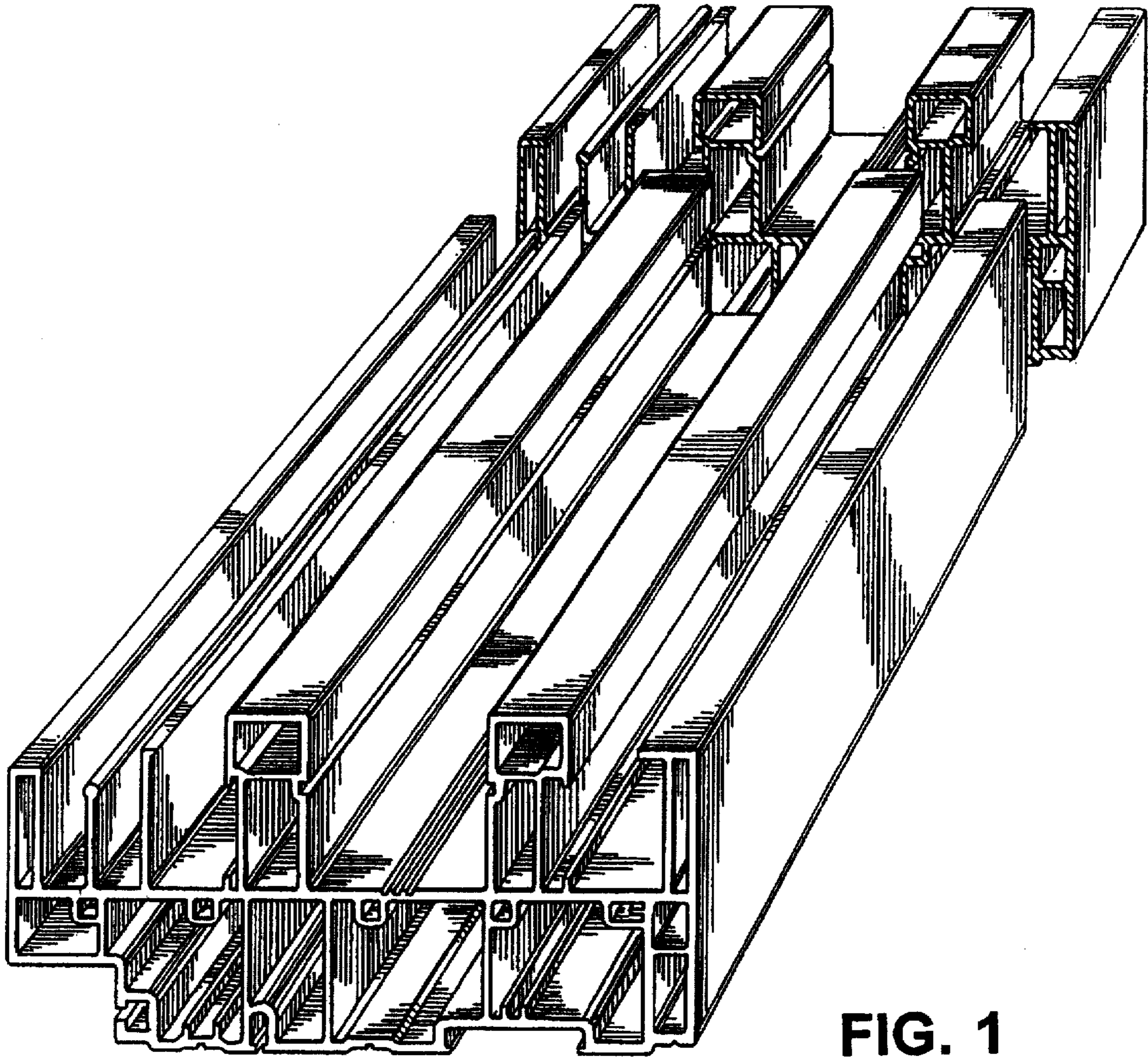
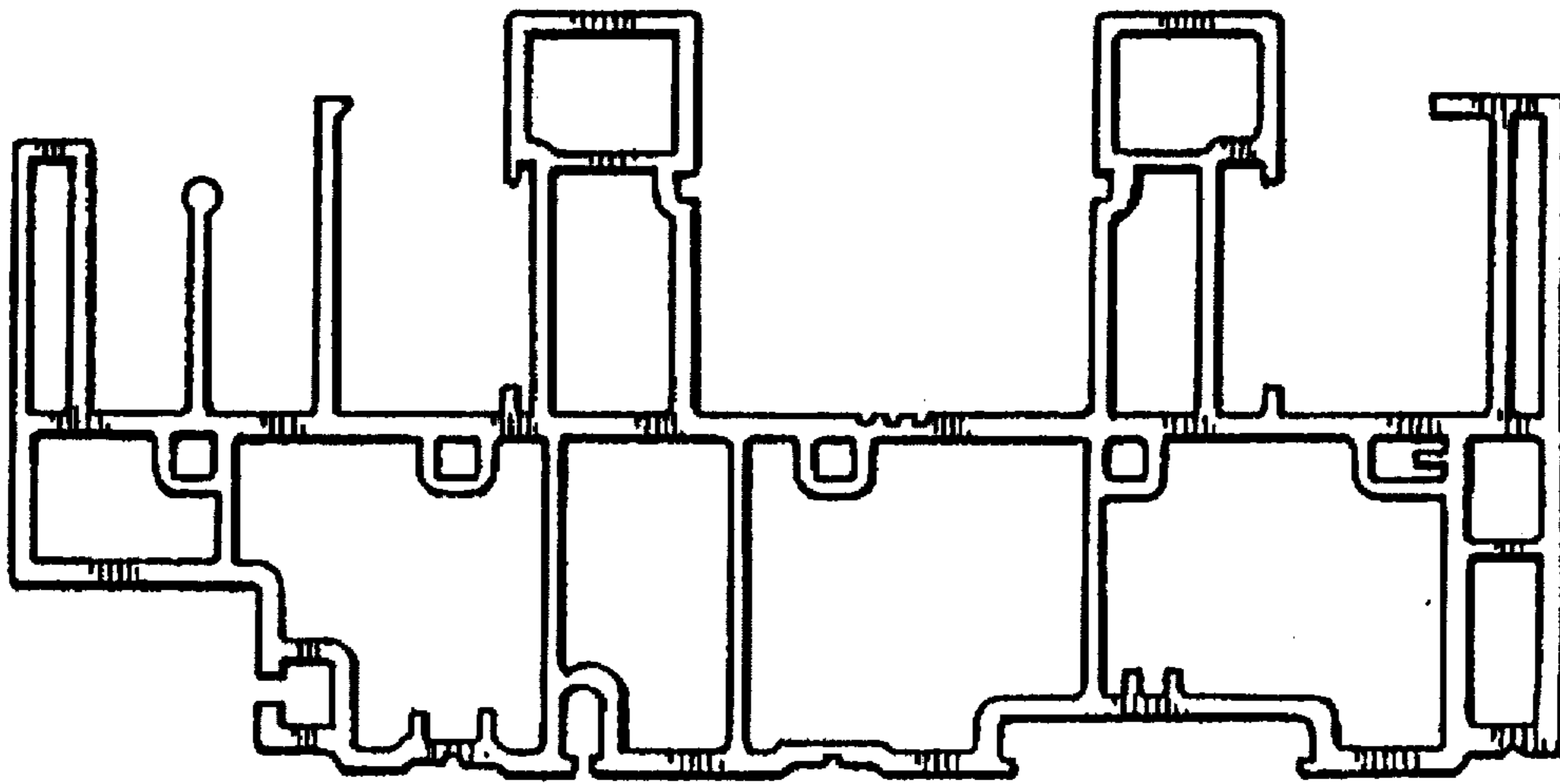
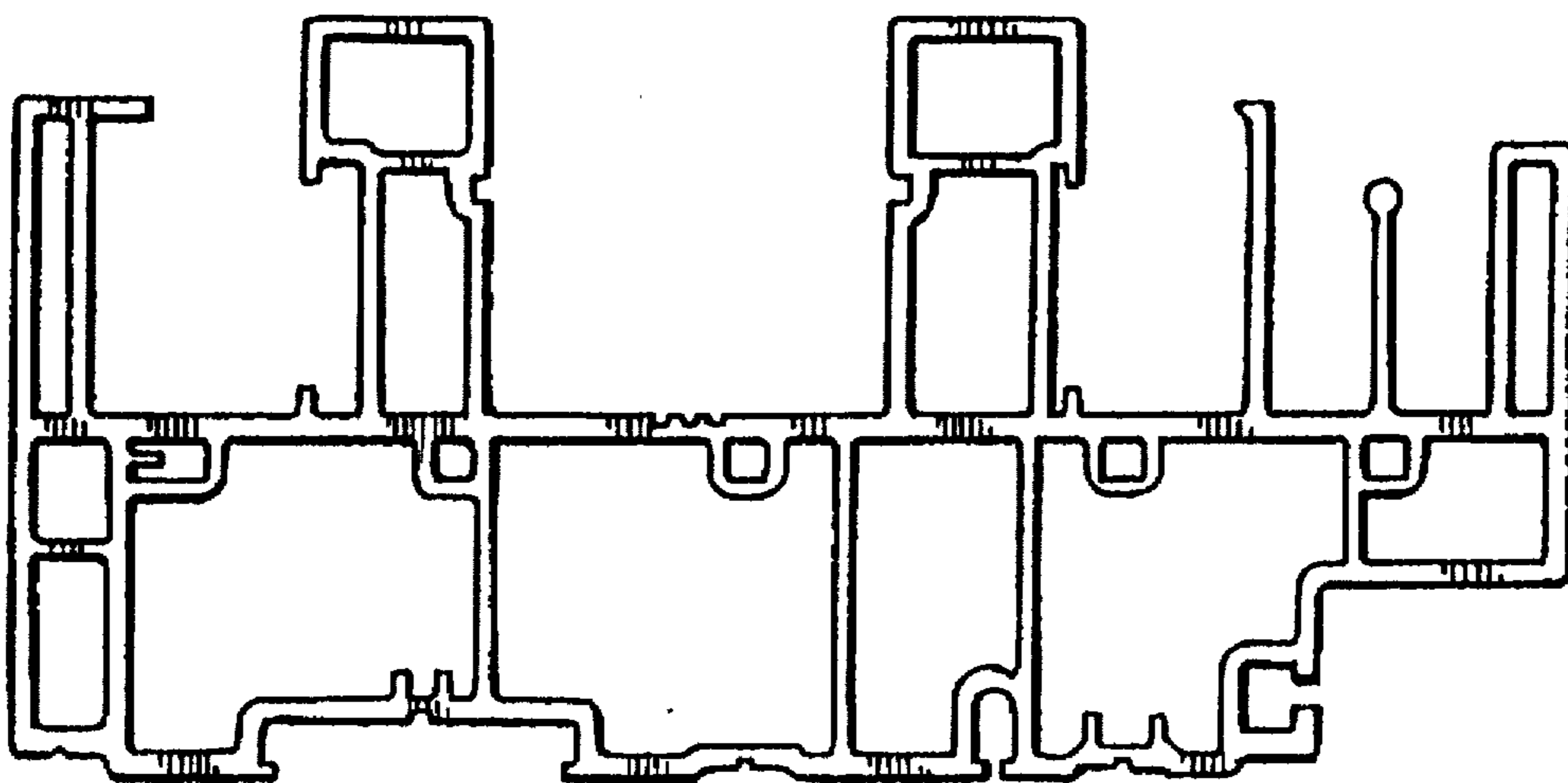


FIG. 1

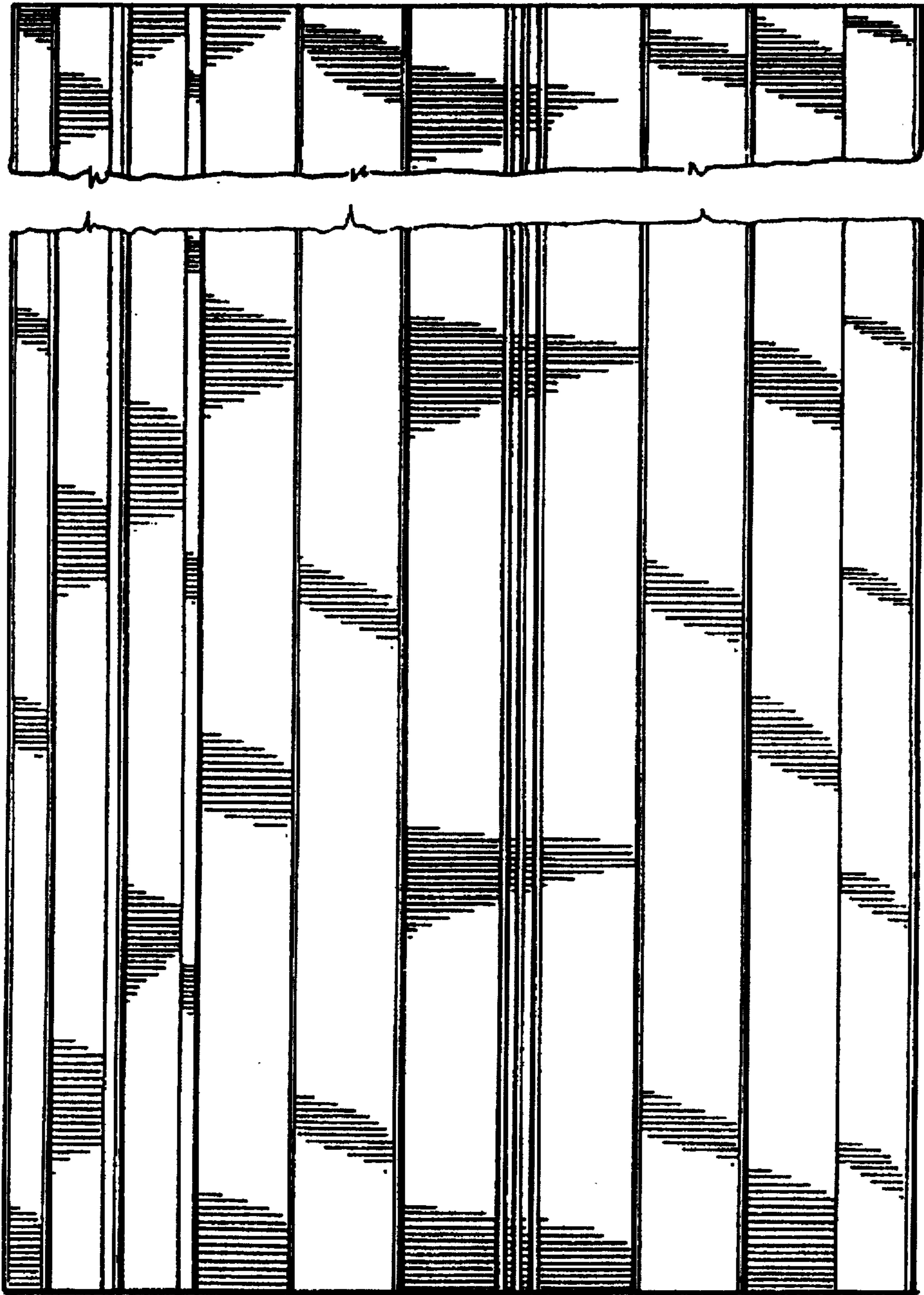




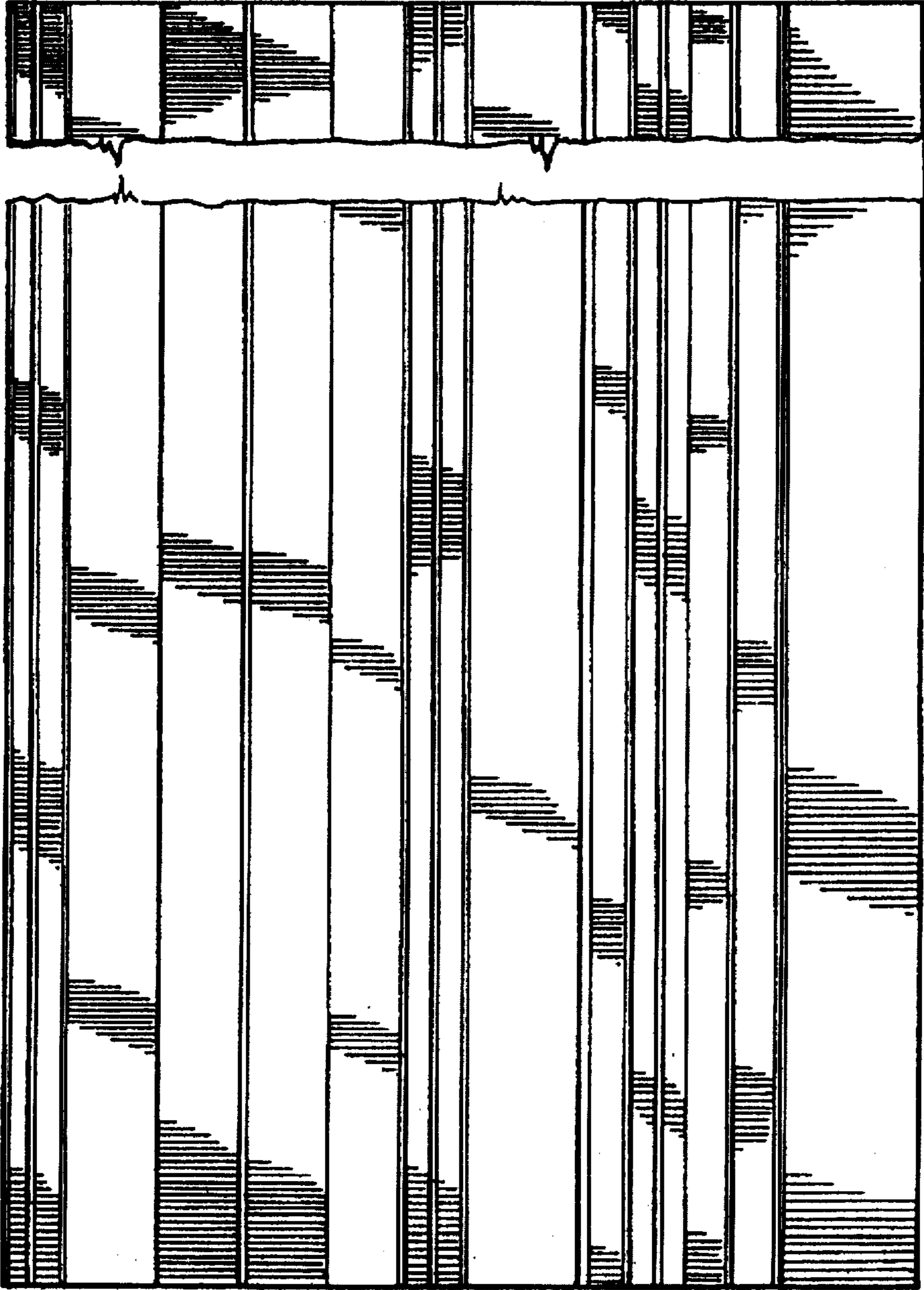
**FIG. 2**



**FIG. 3**



**FIG. 4**



**FIG. 5**

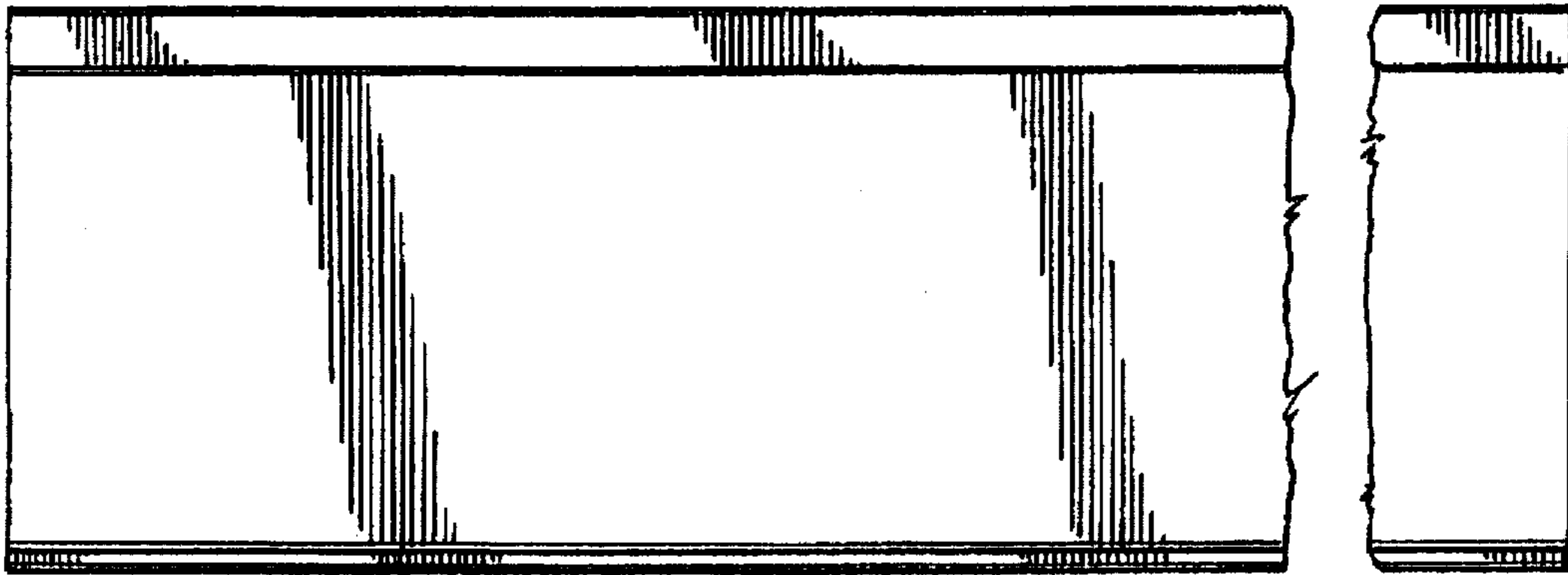


FIG. 6

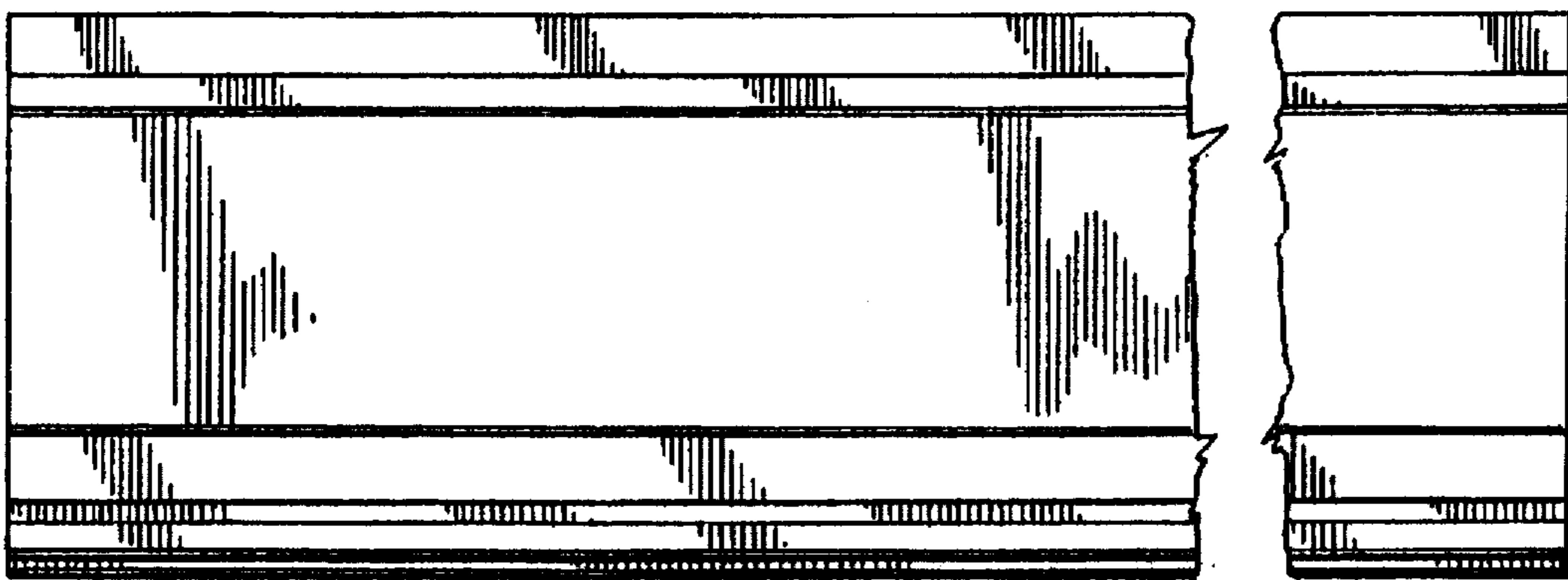


FIG. 7



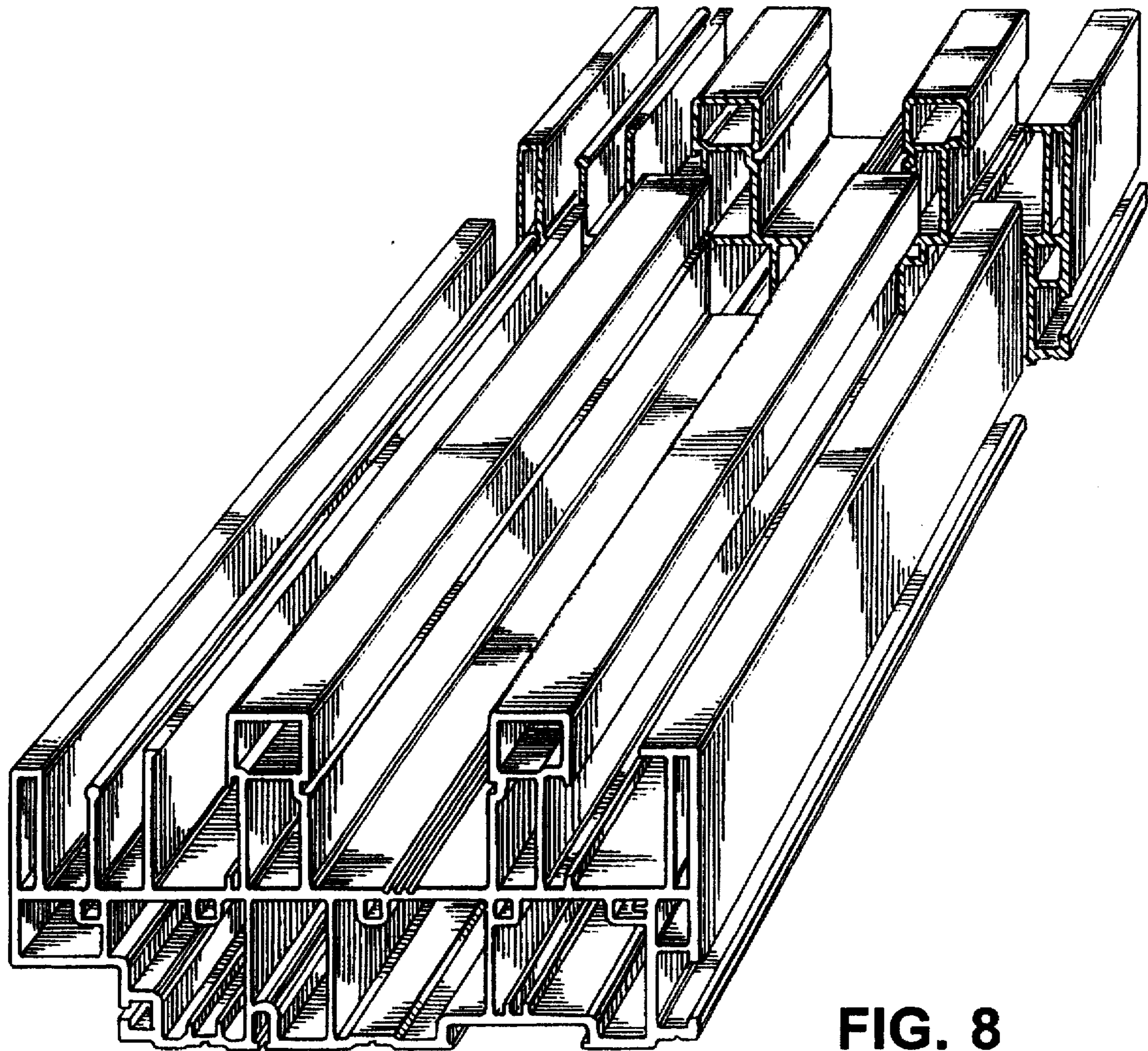
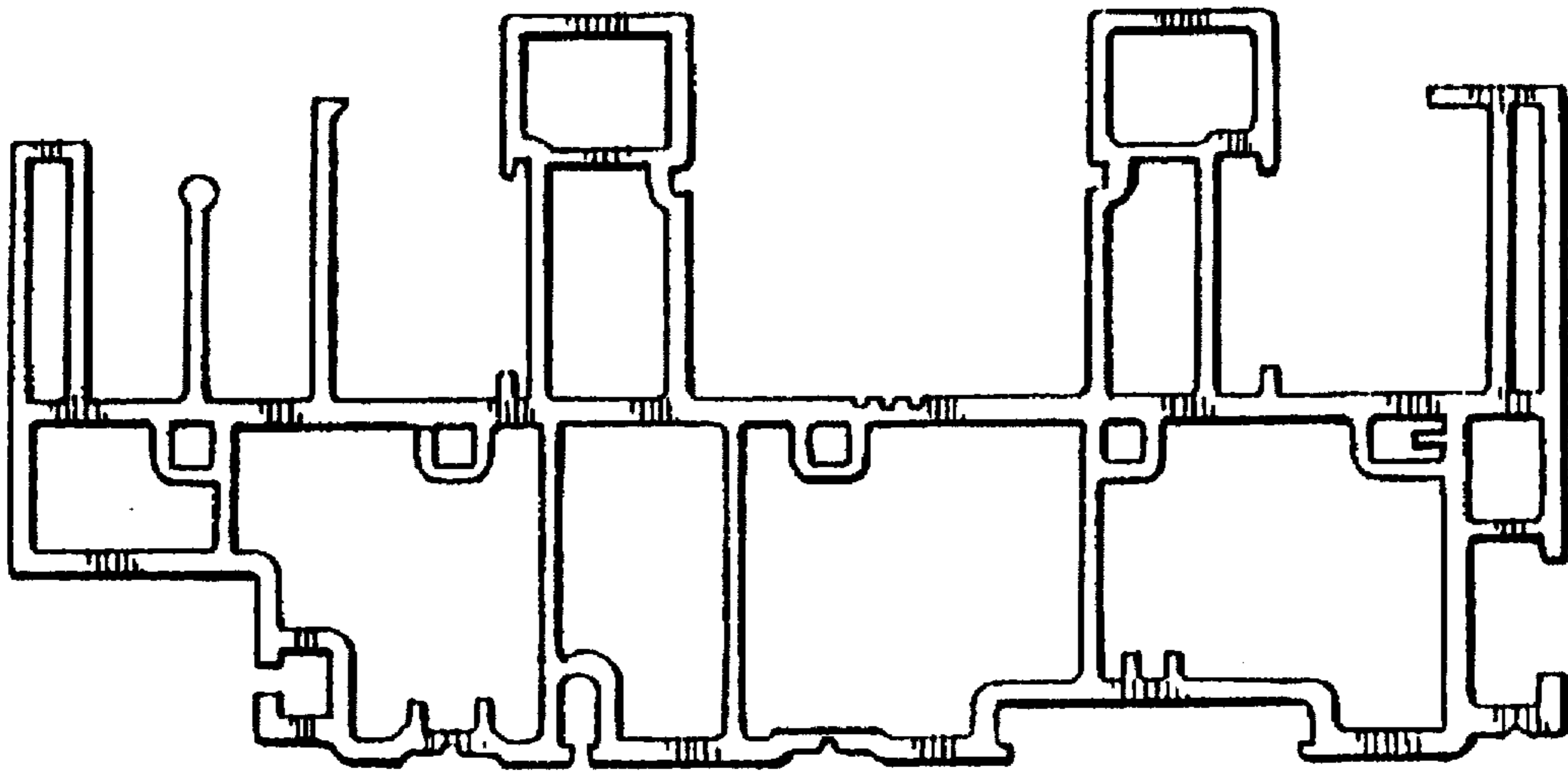
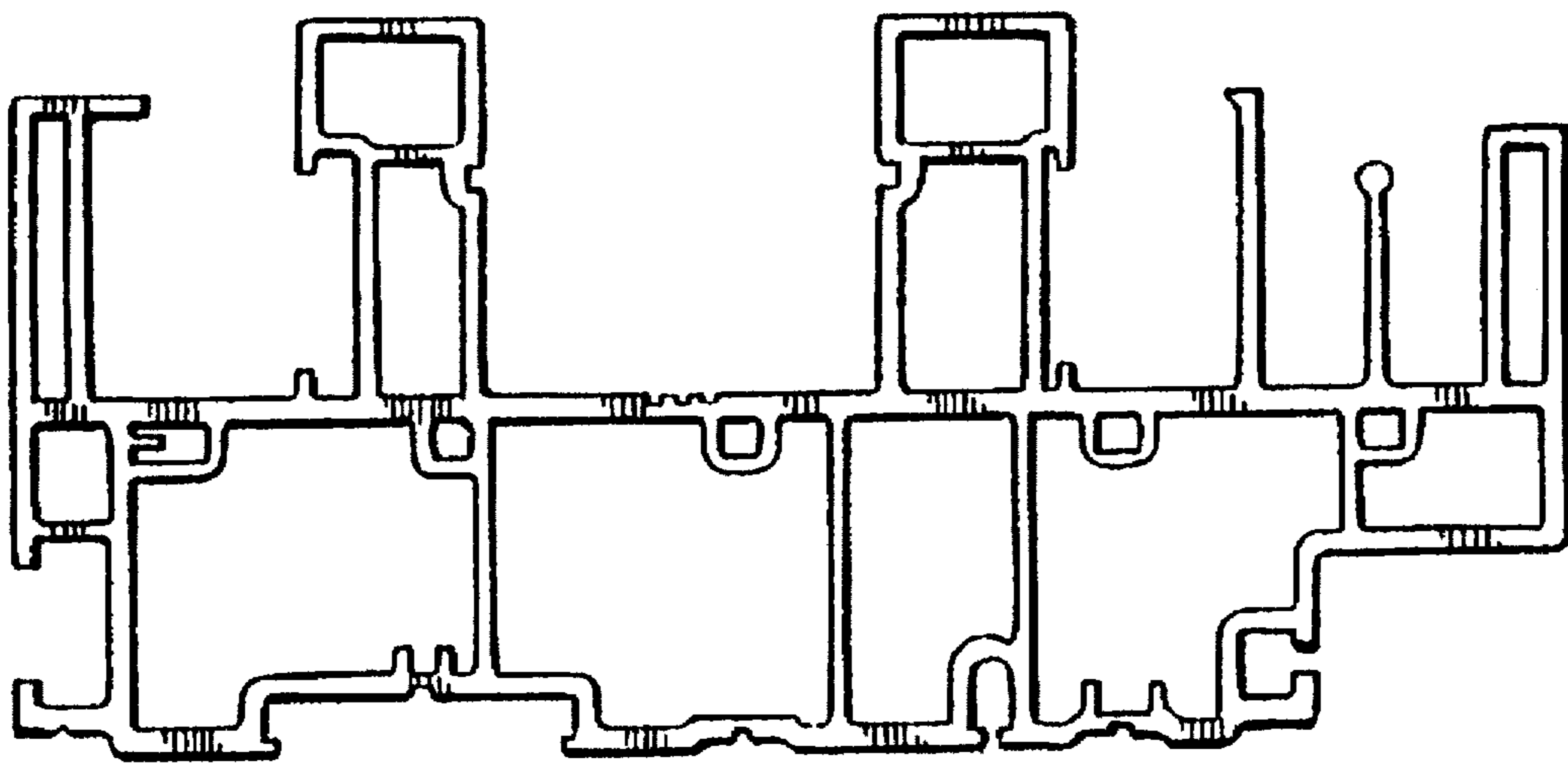


FIG. 8



**FIG. 9**



**FIG. 10**



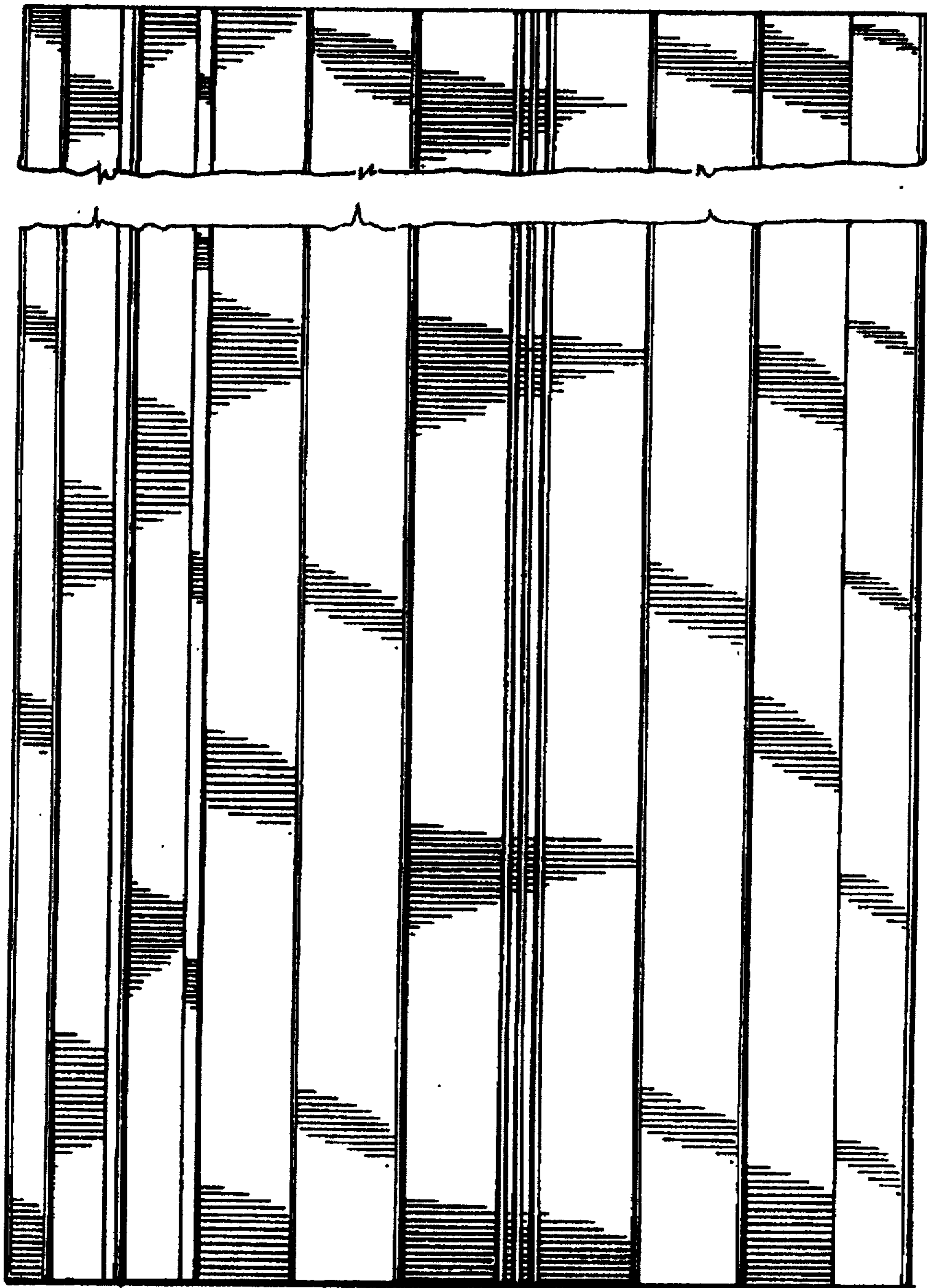


FIG. 11

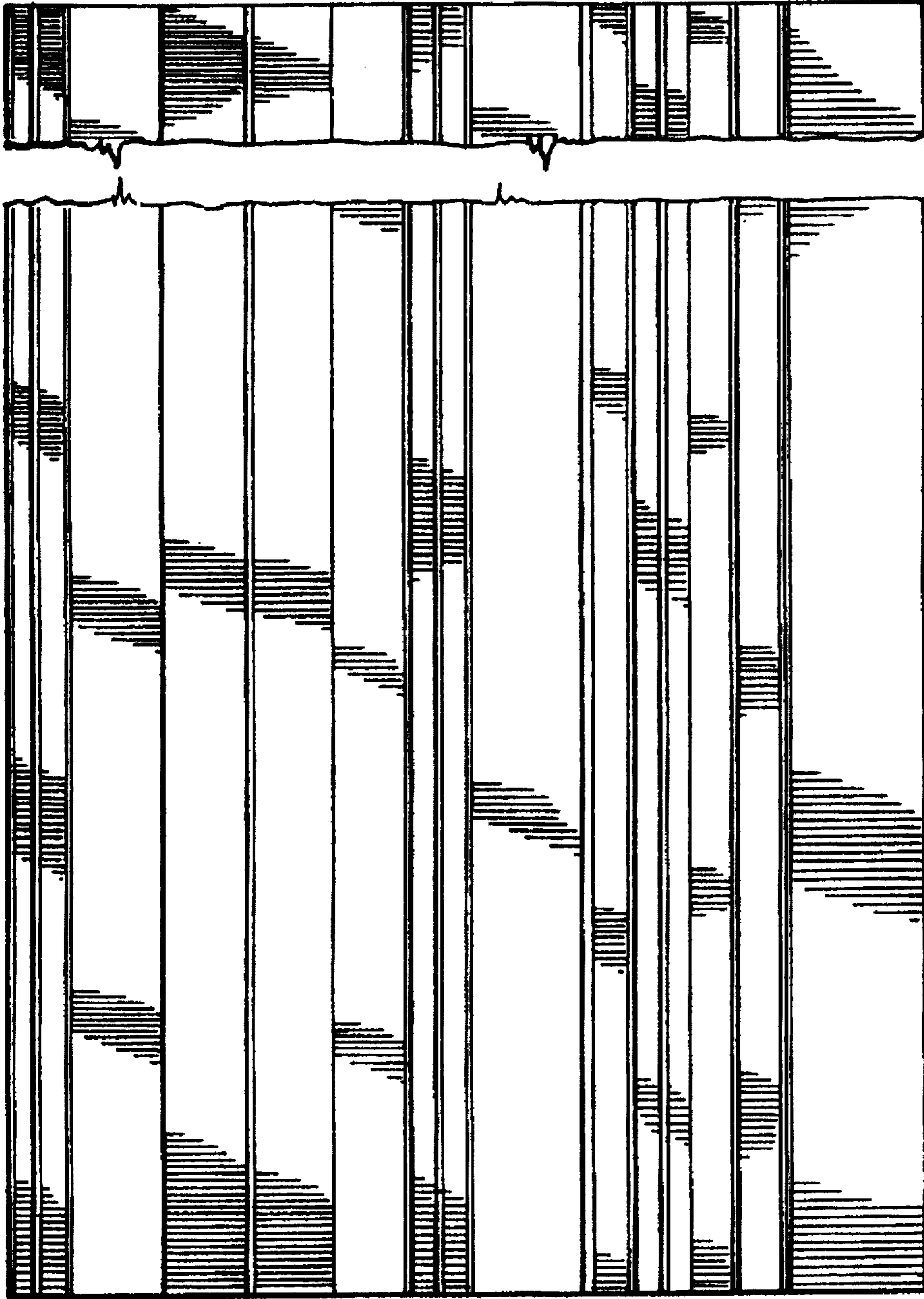


FIG. 12

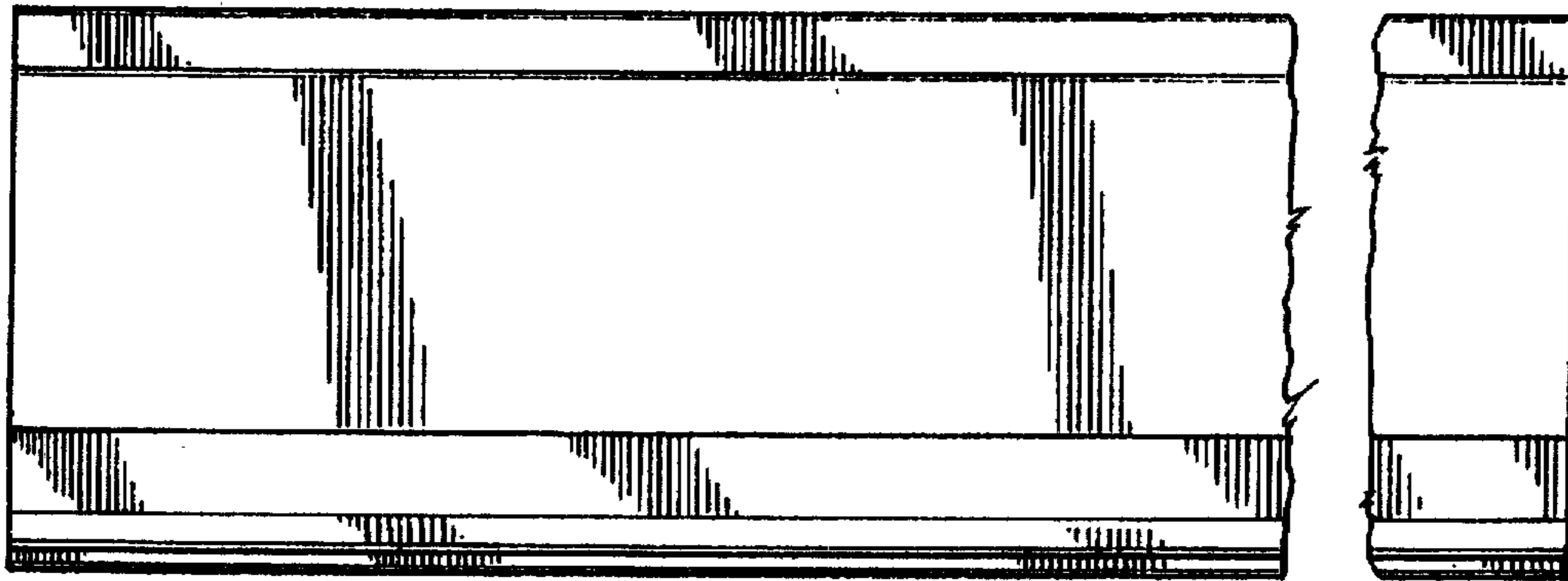


FIG. 13

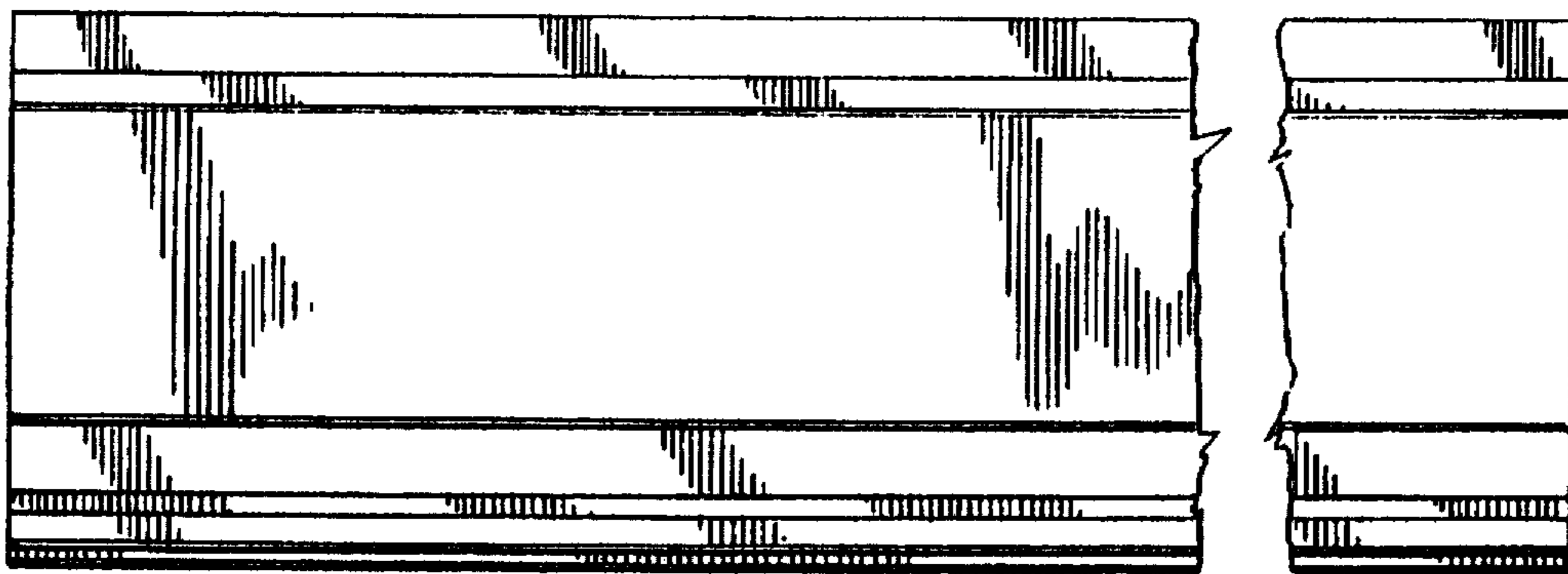


FIG. 14