



US00D386261S

United States Patent [19]

Lee et al.

[11] Patent Number: **Des. 386,261**

[45] Date of Patent: ****Nov. 11, 1997**

[54] **MAGNETIC RESONANCE IMAGING SYSTEM**

[75] Inventors: **Milton C. Lee**, Dale City; **Ronald C. Janish**, San Mateo; **Leon Kaufman**, San Francisco, all of Calif.

[73] Assignee: **Toshiba America MRI, Inc.**, Tustin, Calif.

[**] Term: **14 Years**

[21] Appl. No.: **60,559**

[22] Filed: **Oct. 1, 1996**

[51] LOC (6) Cl. **24-01**

[52] U.S. Cl. **D24/159**

[58] Field of Search **D24/159; 324/318, 324/319, 308, 309; 128/653.2**

D. 313,073 12/1990 Kaufman et al. .
D. 347,063 5/1994 Ariyoshi et al. D24/159
4,629,989 12/1986 Riehl et al. 324/318
4,829,252 5/1989 Kaufman .

Primary Examiner—Stella Reid
Attorney, Agent, or Firm—Nixon & Vanderhye P.C.

[57] CLAIM

The ornamental design for a magnetic resonance imaging system, as shown and described.

DESCRIPTION

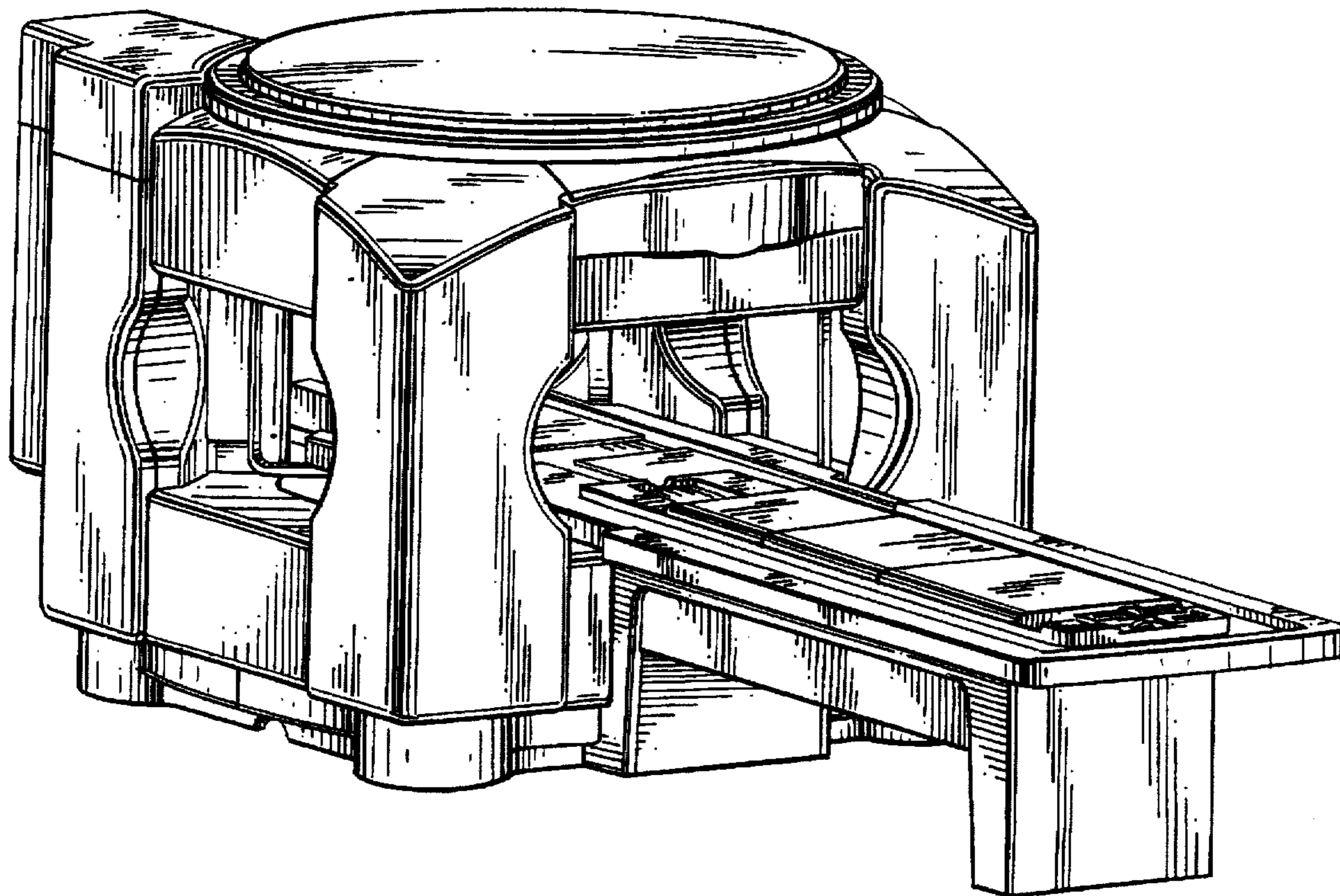
FIG. 1 is a front, left perspective view of a magnetic resonance imaging system, showing our new design; FIG. 2 is a rear, right perspective view thereof; FIG. 3 is a rear, left, top perspective view thereof; FIG. 4 is a front elevational view thereof; FIG. 5 is a rear elevational view thereof; FIG. 6 is a top plan view thereof, on a smaller scale; FIG. 7 is a right elevational view thereof, on a smaller scale; and, FIG. 8 is left elevational view thereof.

[56] References Cited

U.S. PATENT DOCUMENTS

D. 270,182 8/1983 Wagner D24/159
D. 300,849 4/1989 Steinhilber et al. D24/159

1 Claim, 8 Drawing Sheets



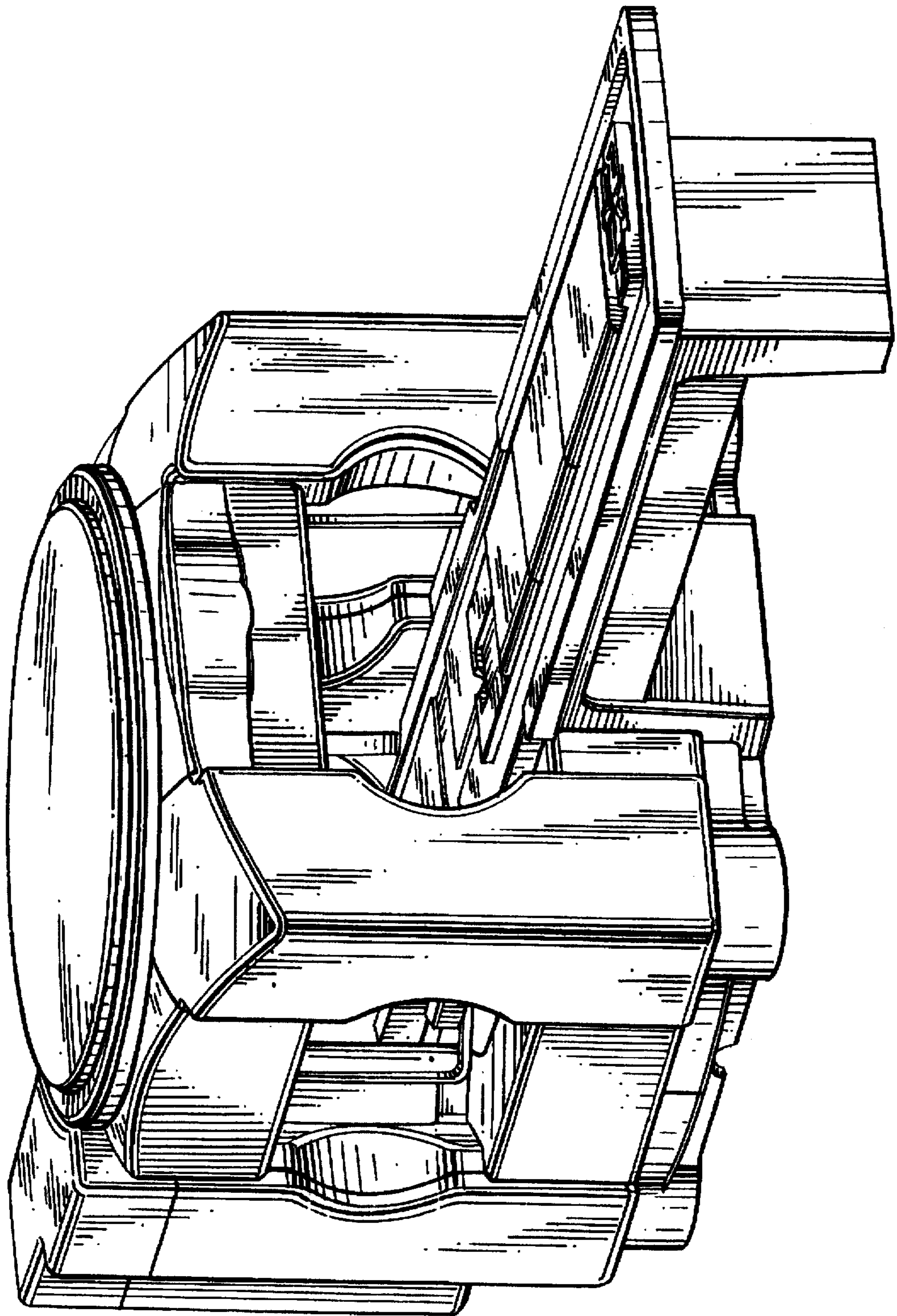


FIG. 1

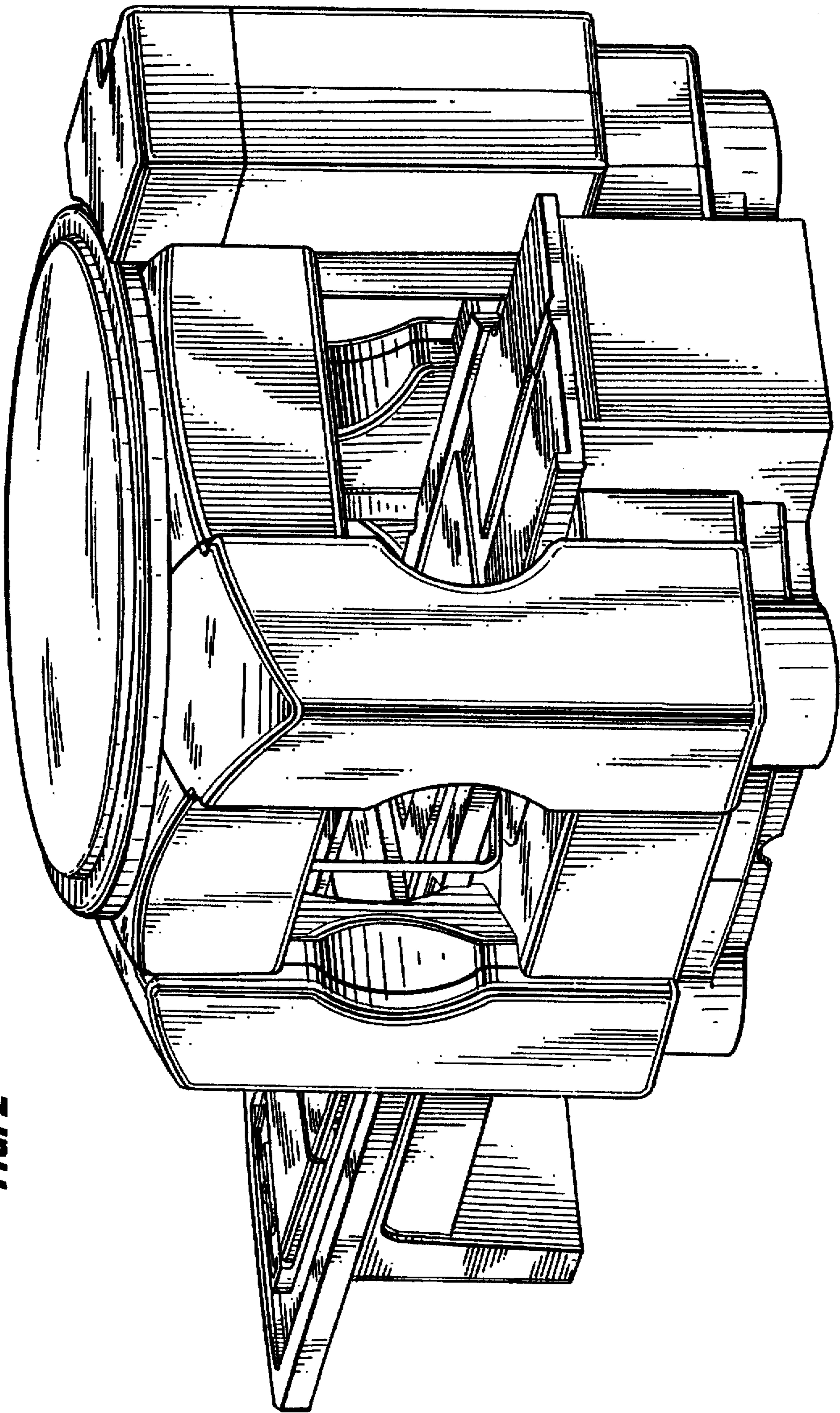


FIG. 2

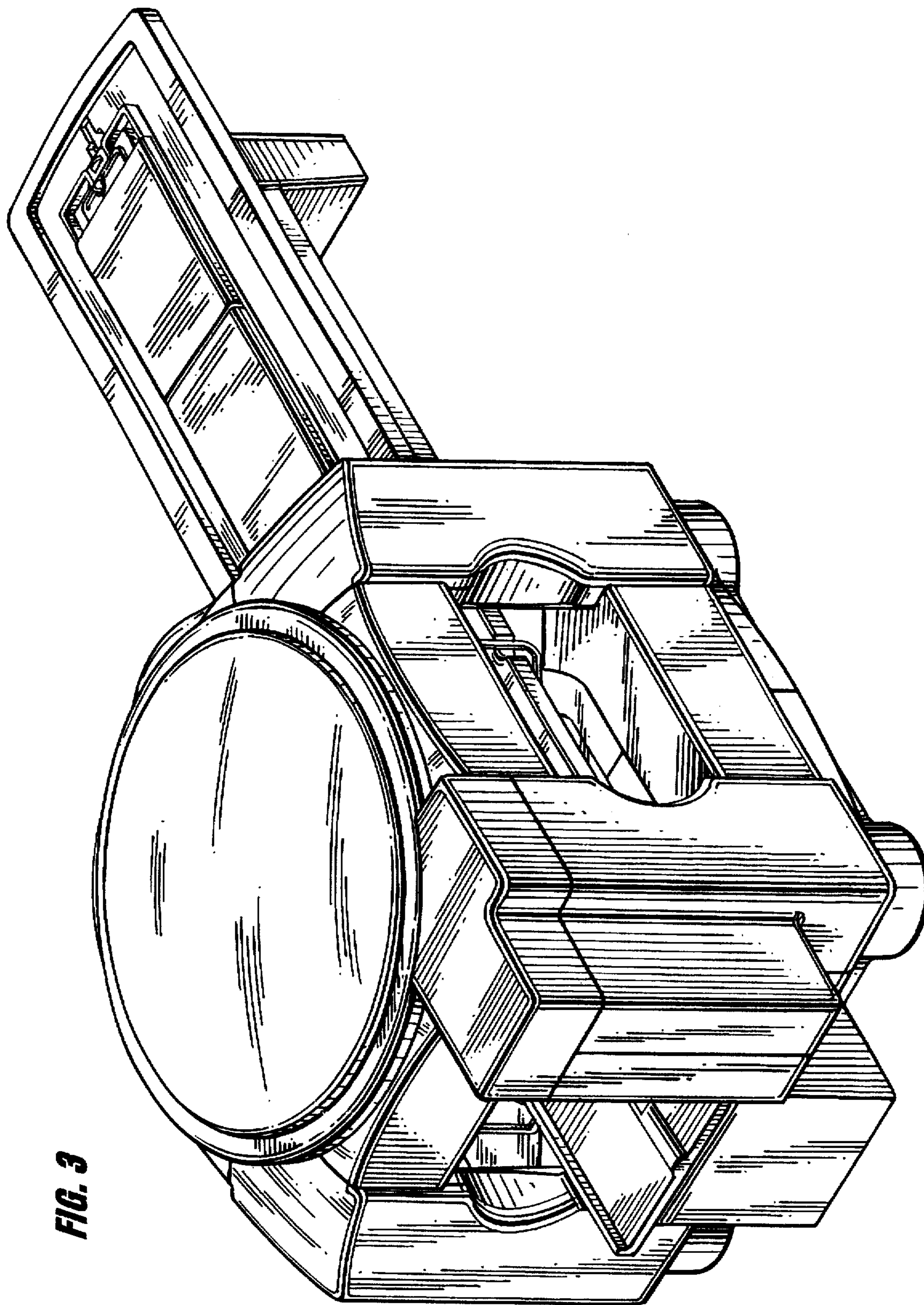
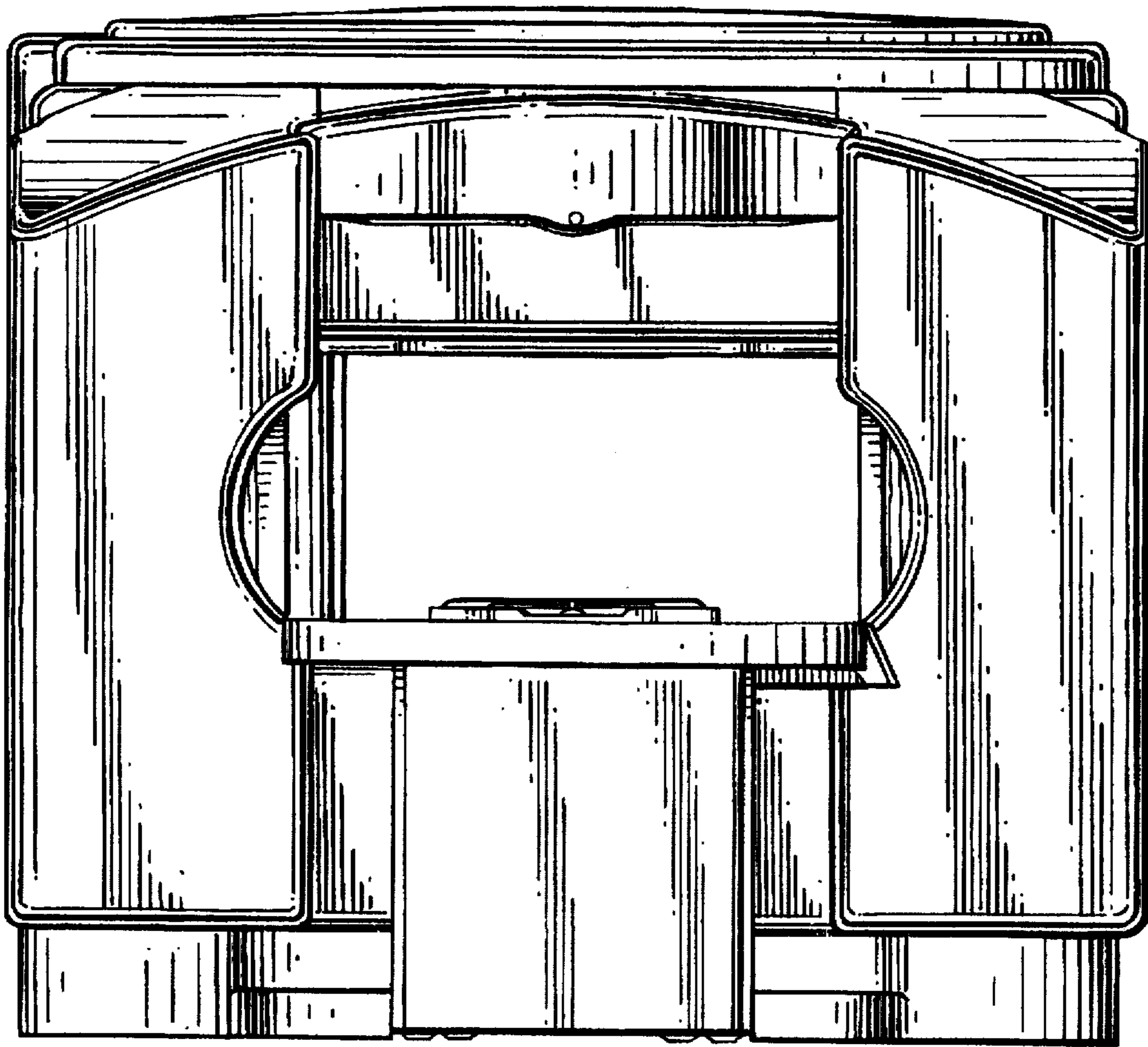


FIG. 3

FIG. 4



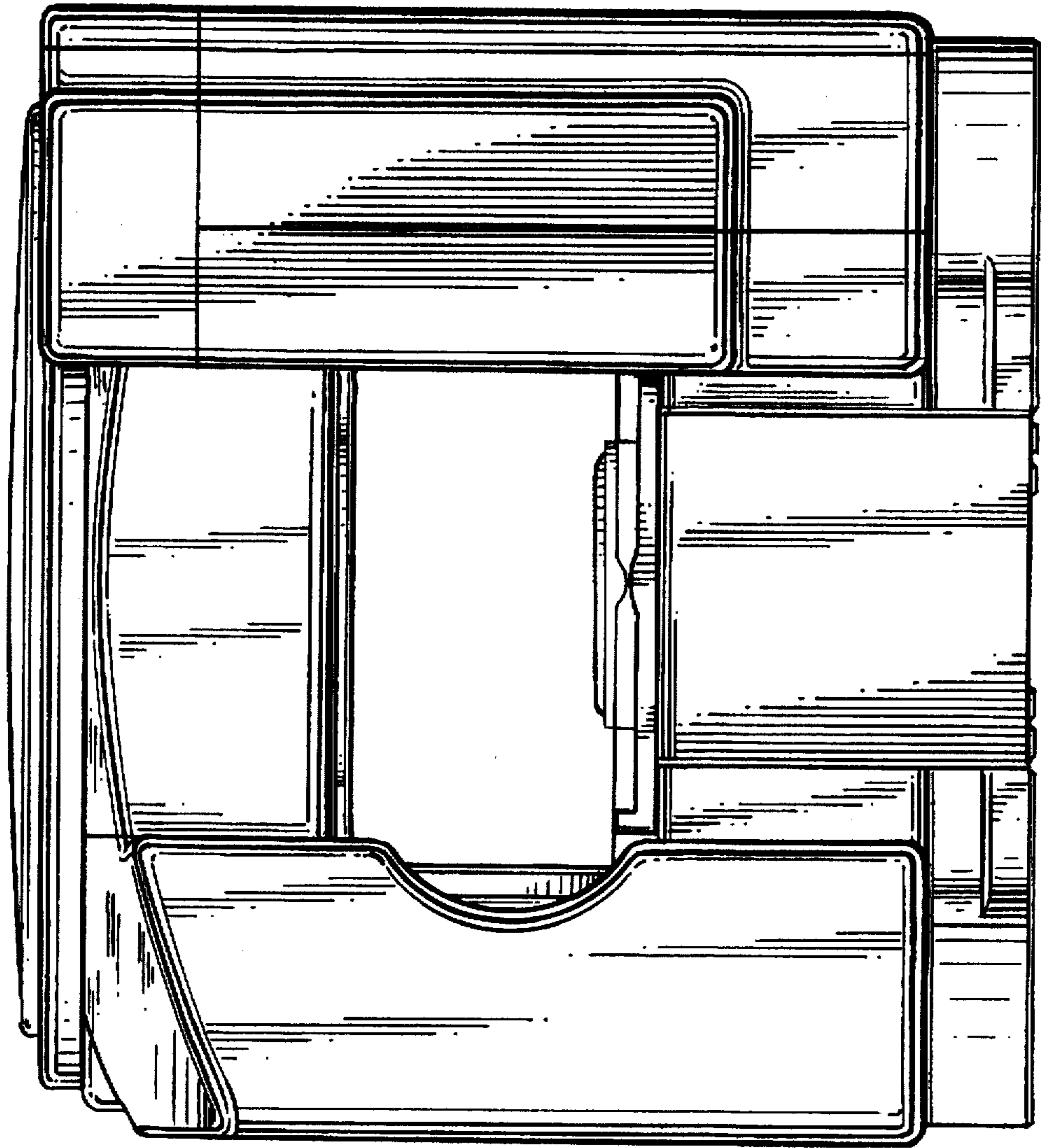


FIG. 5

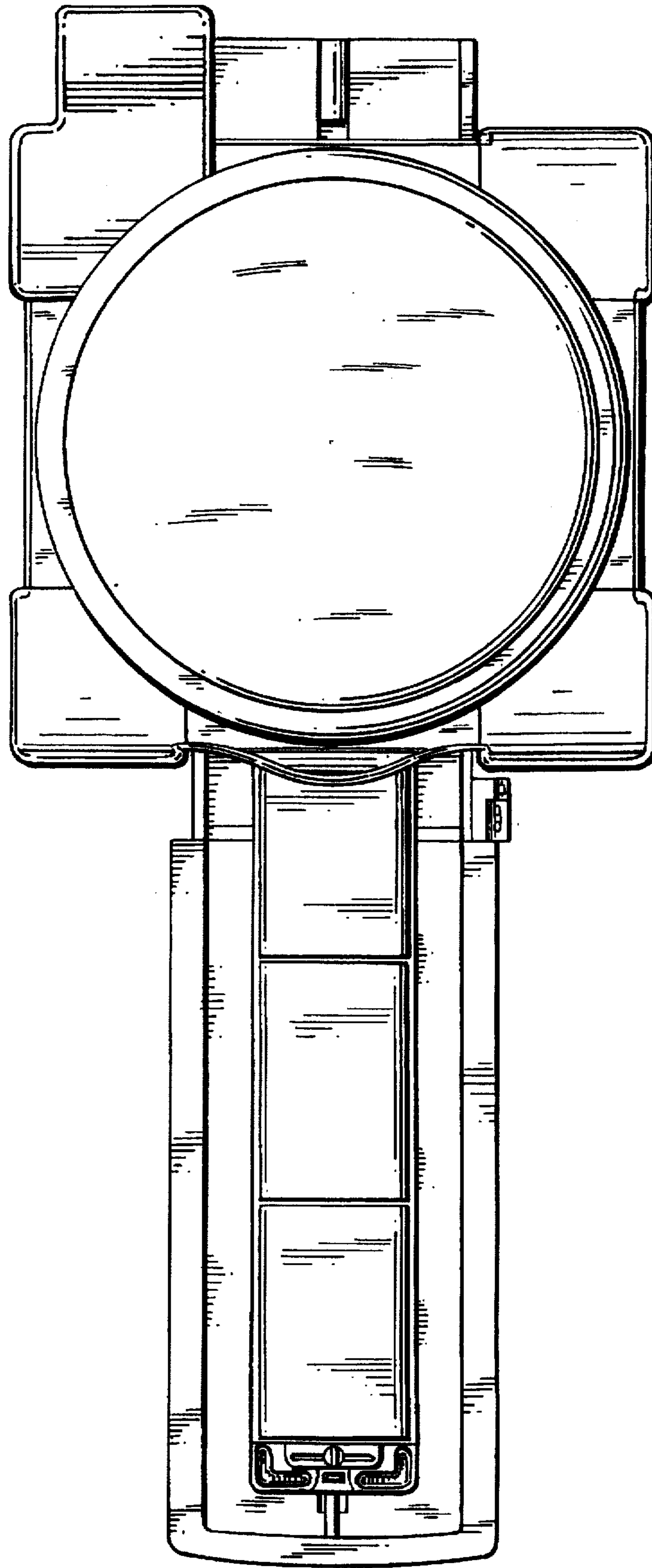


FIG. 6

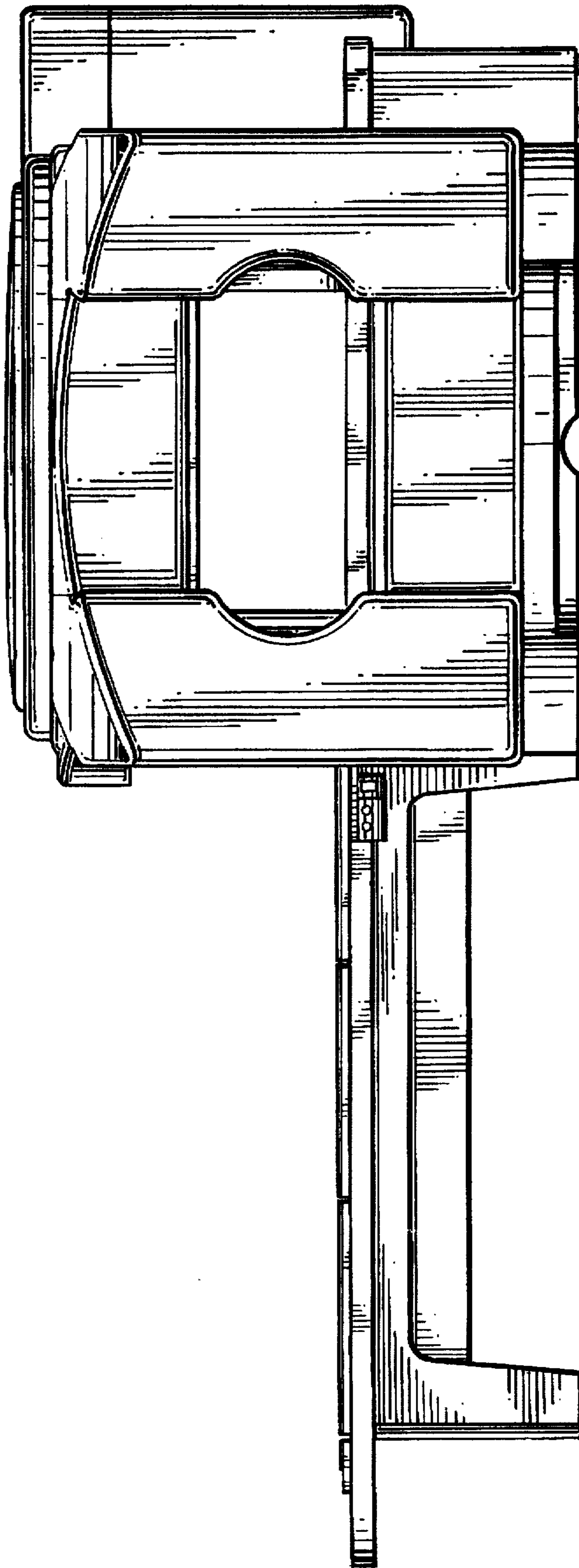


FIG. 7

FIG. 8

