



US00D386259S

United States Patent [19]

Hayashi et al.

[11] Patent Number: Des. 386,259

[45] Date of Patent: **Nov. 11, 1997

[54] **MEDICATION DISPENSER**

[75] Inventors: Yukou Hayashi, Ota; Yasutoshi Okamoto, Ashikaga; Tateki Aihara, Oura-gun, all of Japan

[73] Assignee: Sanyo Electric Co., Limited, Moriguchi, Japan

[**] Term: 14 Years

[21] Appl. No.: 53,358

[22] Filed: Apr. 19, 1996

[30] **Foreign Application Priority Data**

Nov. 13, 1995 [JP] Japan 7-34349

[51] LOC (6) Cl. 24-01

[52] U.S. Cl. D24/111

[58] Field of Search D24/111, 108; 604/60, 66, 151, 123; 128/DIG. 12, DIG. 13, DIG. 16; 221/89, 194, 196, 95, 93

[56] **References Cited**

U.S. PATENT DOCUMENTS

H1324	6/1994	Salke et al.	604/65
5,181,910	1/1993	Scanlon	604/65 X
5,207,642	5/1993	Orkin et al.	604/65
5,423,746	6/1995	Burkett et al.	604/65
5,547,470	8/1996	Johnson et al.	604/67

Primary Examiner—Louis S. Zarfes
Assistant Examiner—Frank Martinez
Attorney, Agent, or Firm—Wenderoth, Lind & Ponack

[57] **CLAIM**

The ornamental design for a medication dispenser, as described and shown.

DESCRIPTION

FIG. 1 is a perspective view of the inventive medication dispenser;
FIG. 2 is a perspective view of the medication dispenser showing that tablet casings are open;
FIG. 3 is a front view of the medication dispenser;
FIG. 4 is a rear view of the medication dispenser;
FIG. 5 is a plan view of the medication dispenser;
FIG. 6 is a bottom view of the medication dispenser;
FIG. 7 is a left side view of the medication dispenser;
FIG. 8 is a right side view of the medication dispenser;
FIG. 9 is a sectional view of the medication dispenser taken along line A—A' in FIG. 3;
FIG. 10 is a sectional view of the medication dispenser taken along line B—B' in FIG. 3;
FIG. 11 is a sectional view of the medication dispenser taken along line C—C' in FIG. 3;
FIG. 12 is a sectional view of the medication dispenser taken along line D—D' in FIG. 3; and,
FIG. 13 is an enlarged partial view showing the control panel of the medication dispenser.

1 Claim, 7 Drawing Sheets

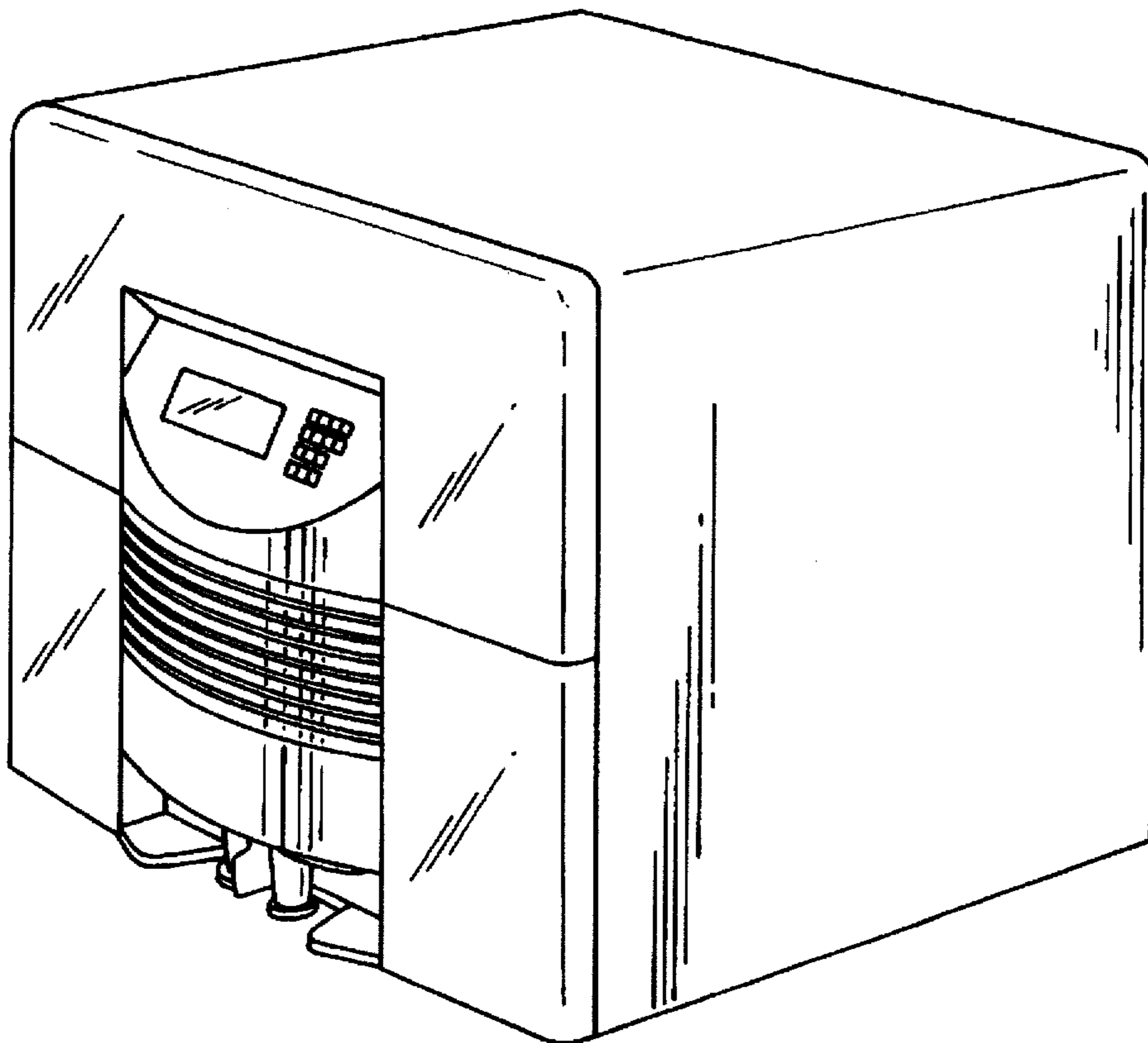


FIG. 1

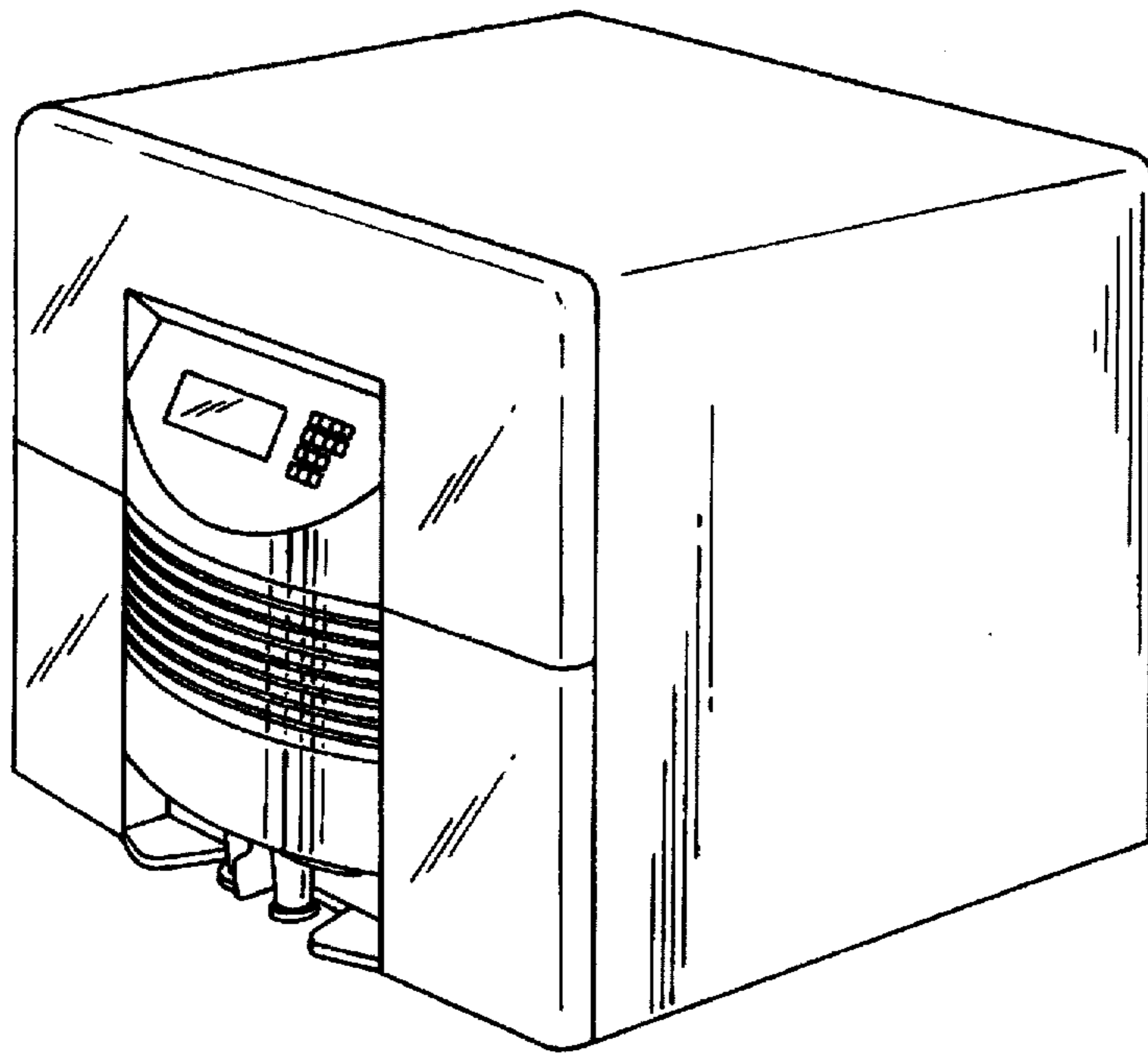


FIG. 2

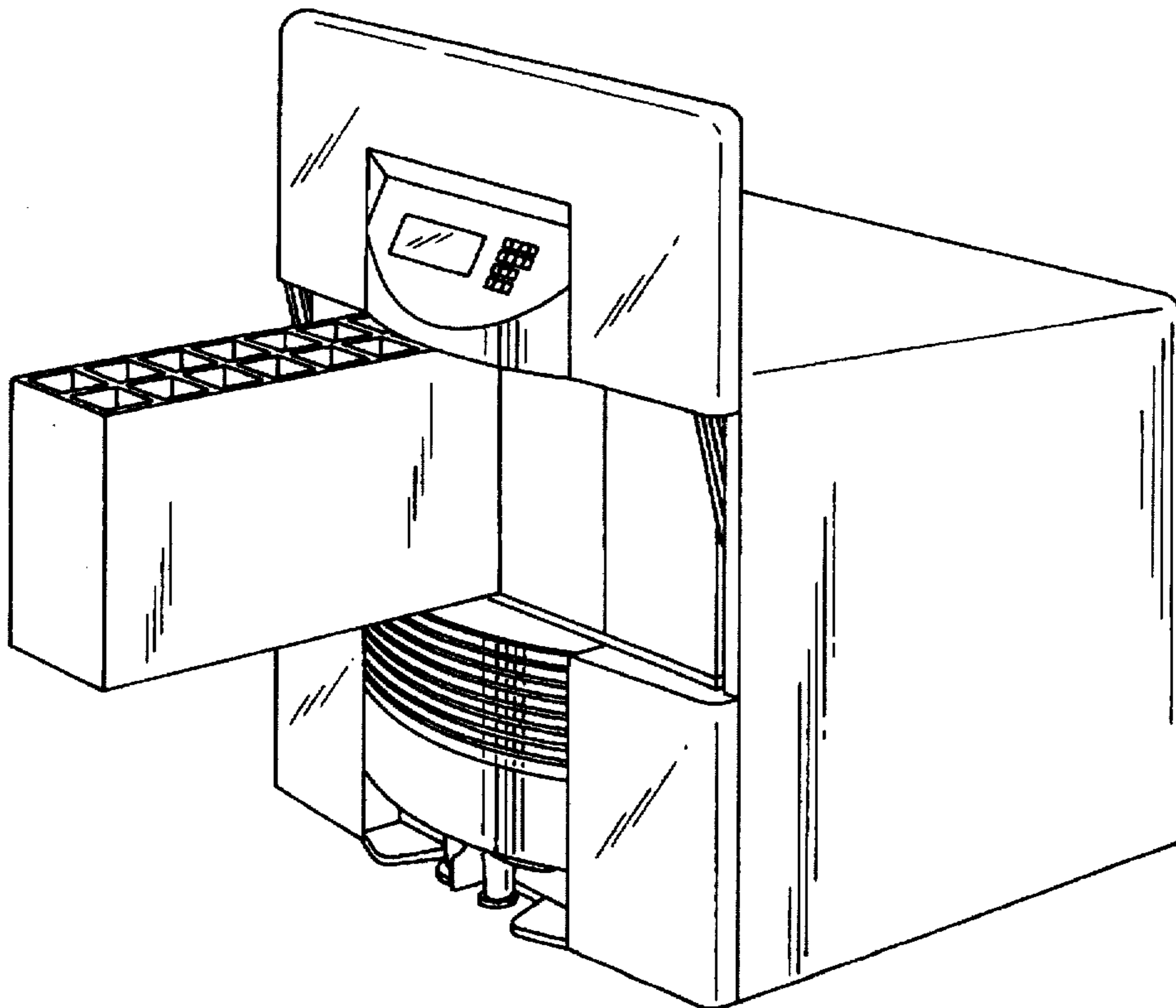


FIG. 3

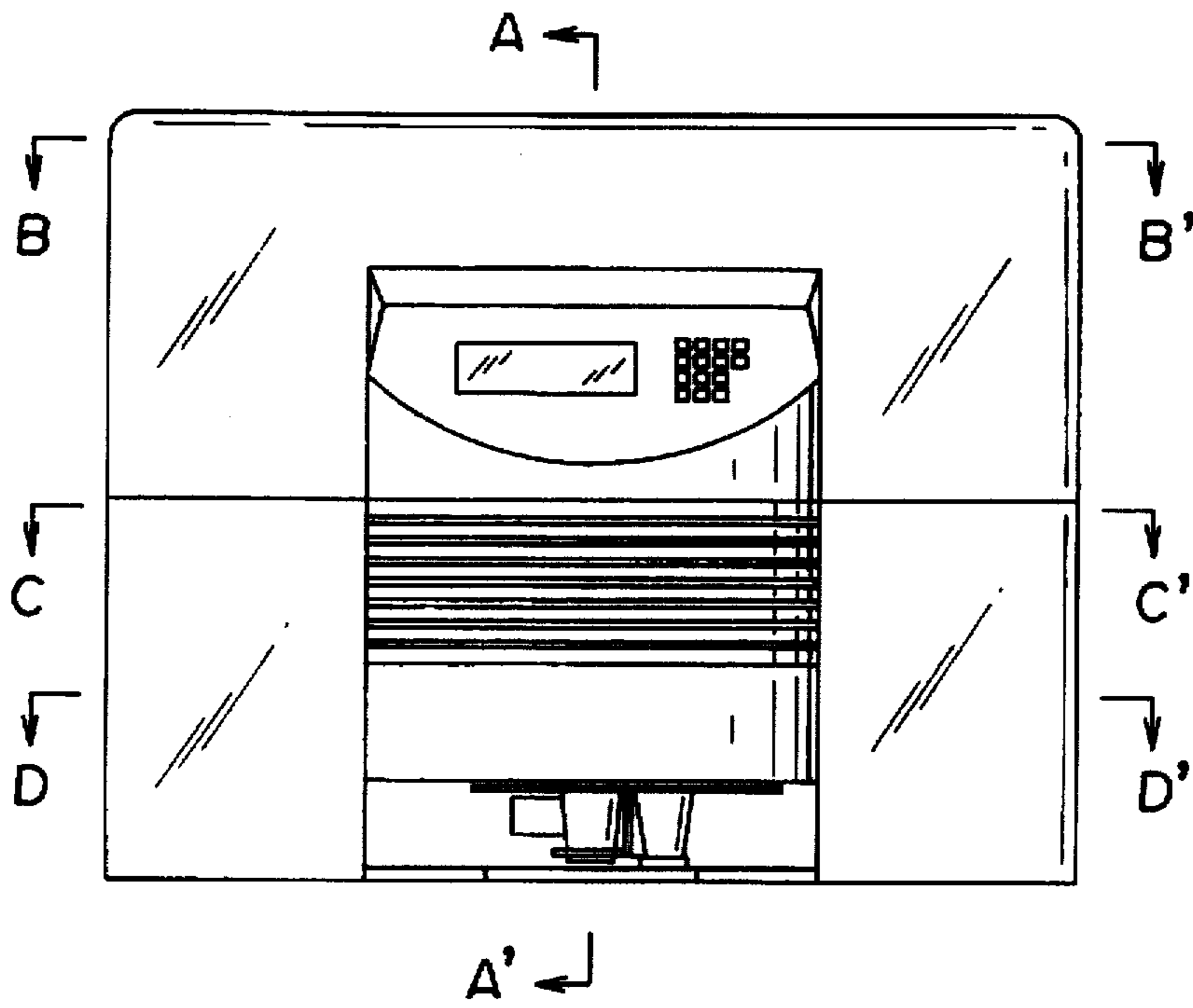


FIG. 4

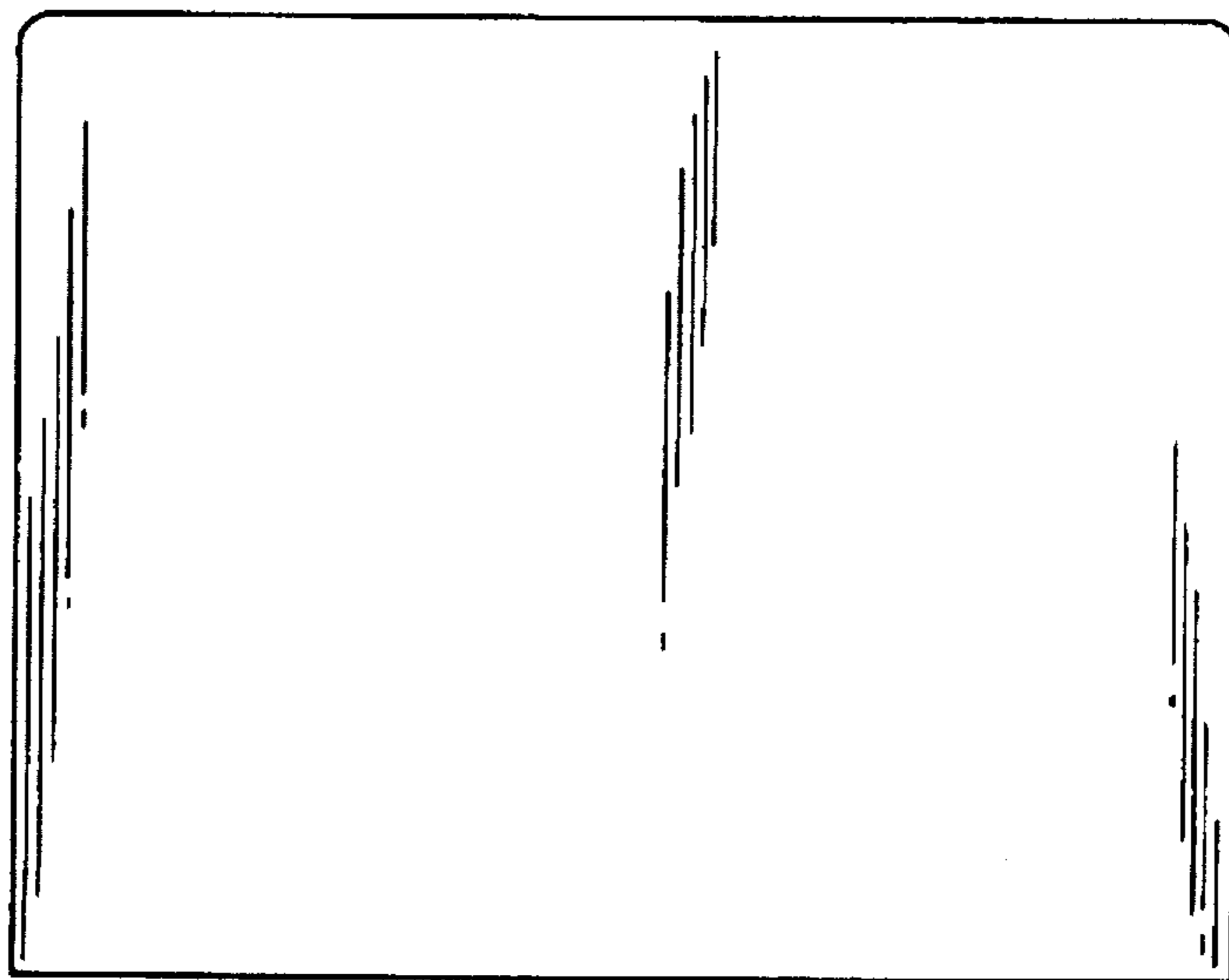


FIG. 5

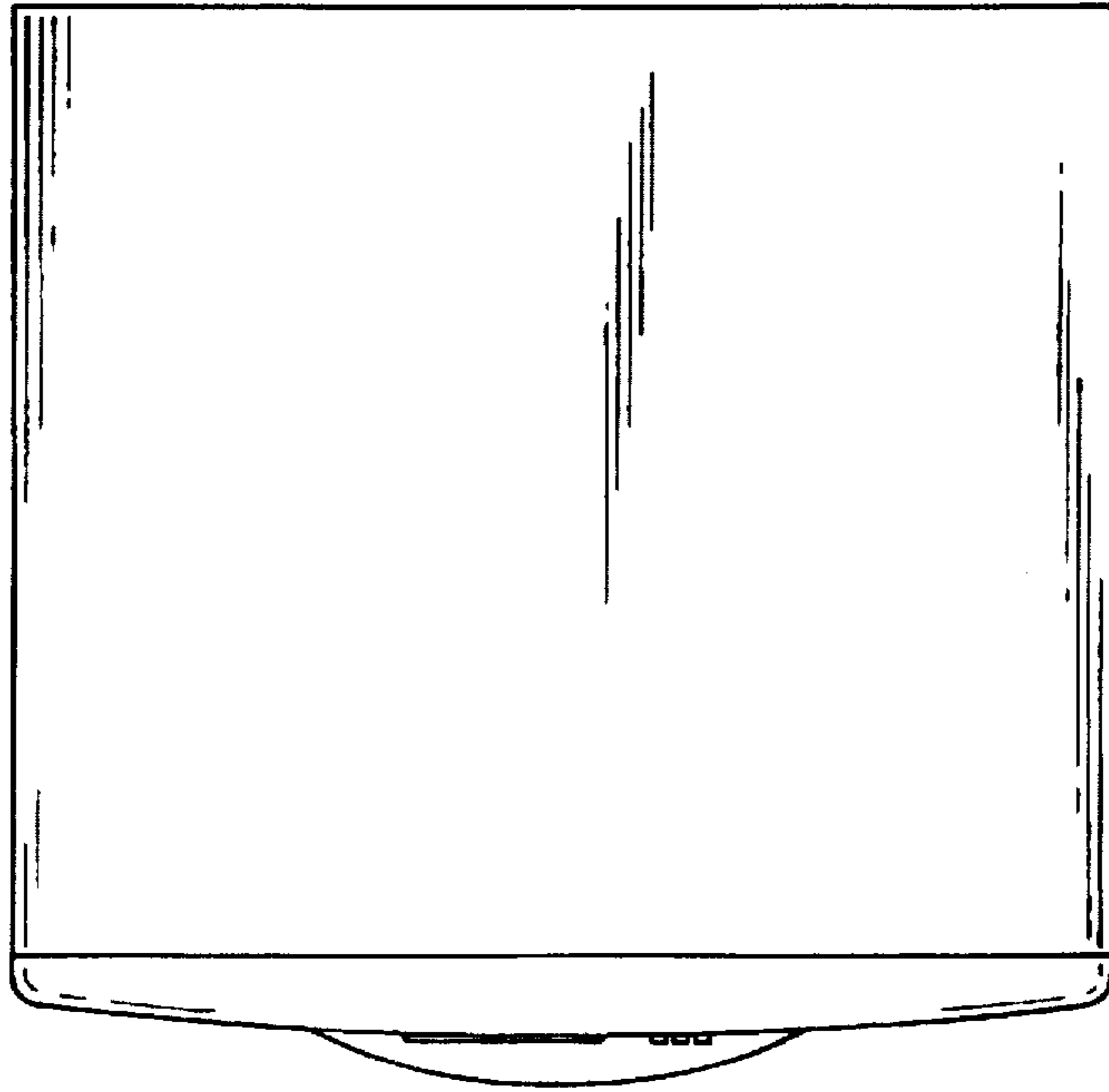


FIG. 6

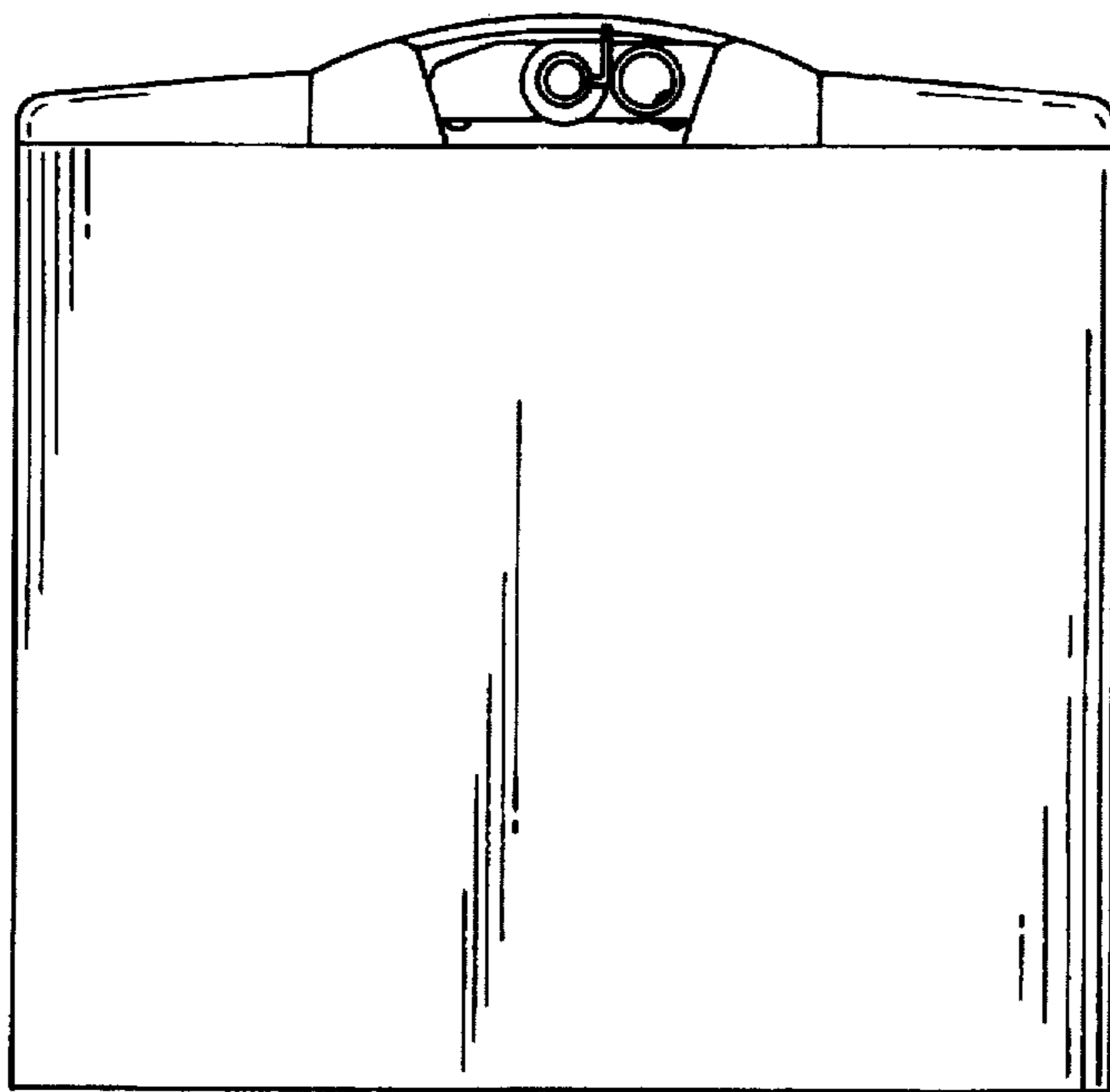


FIG. 7

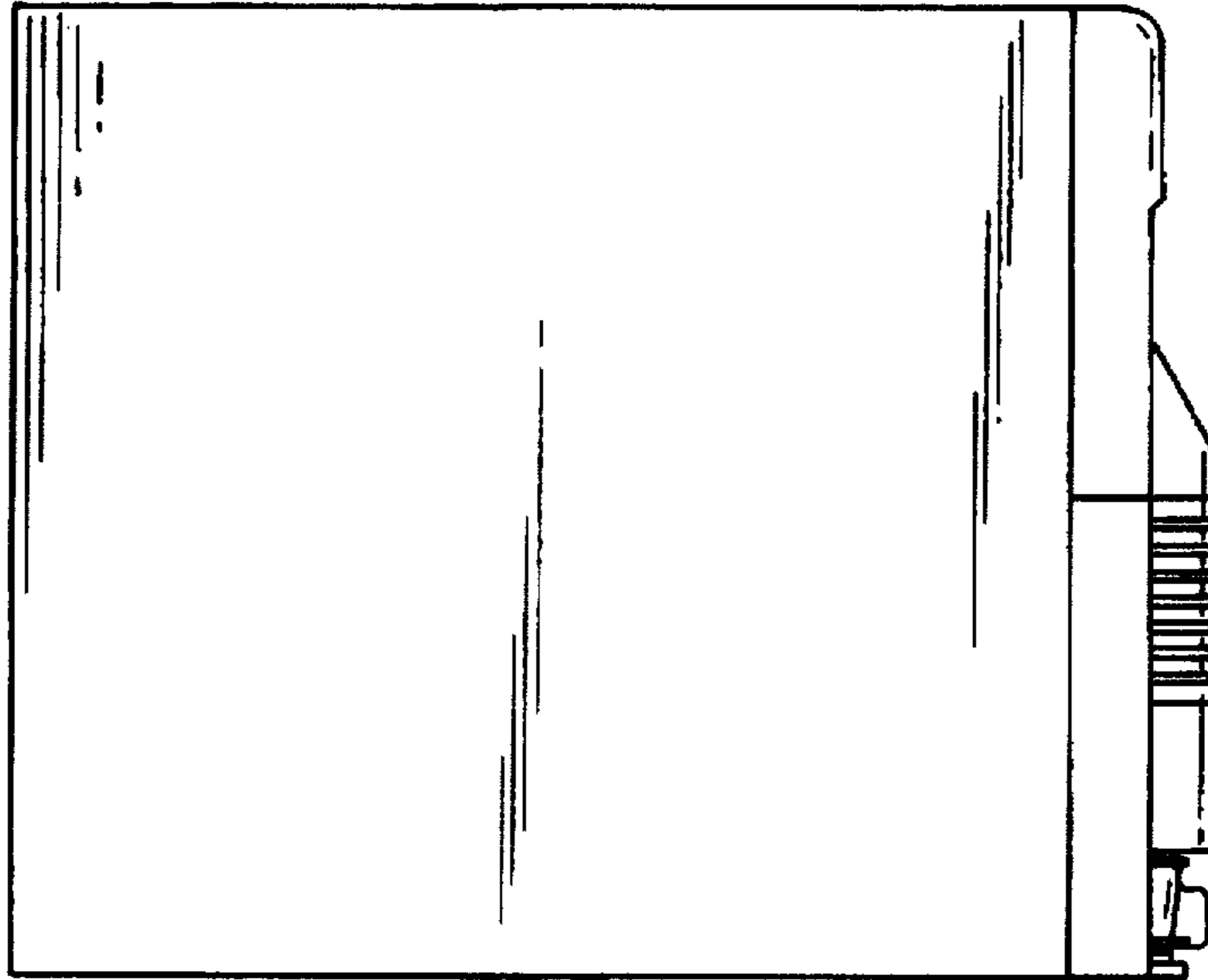


FIG. 8

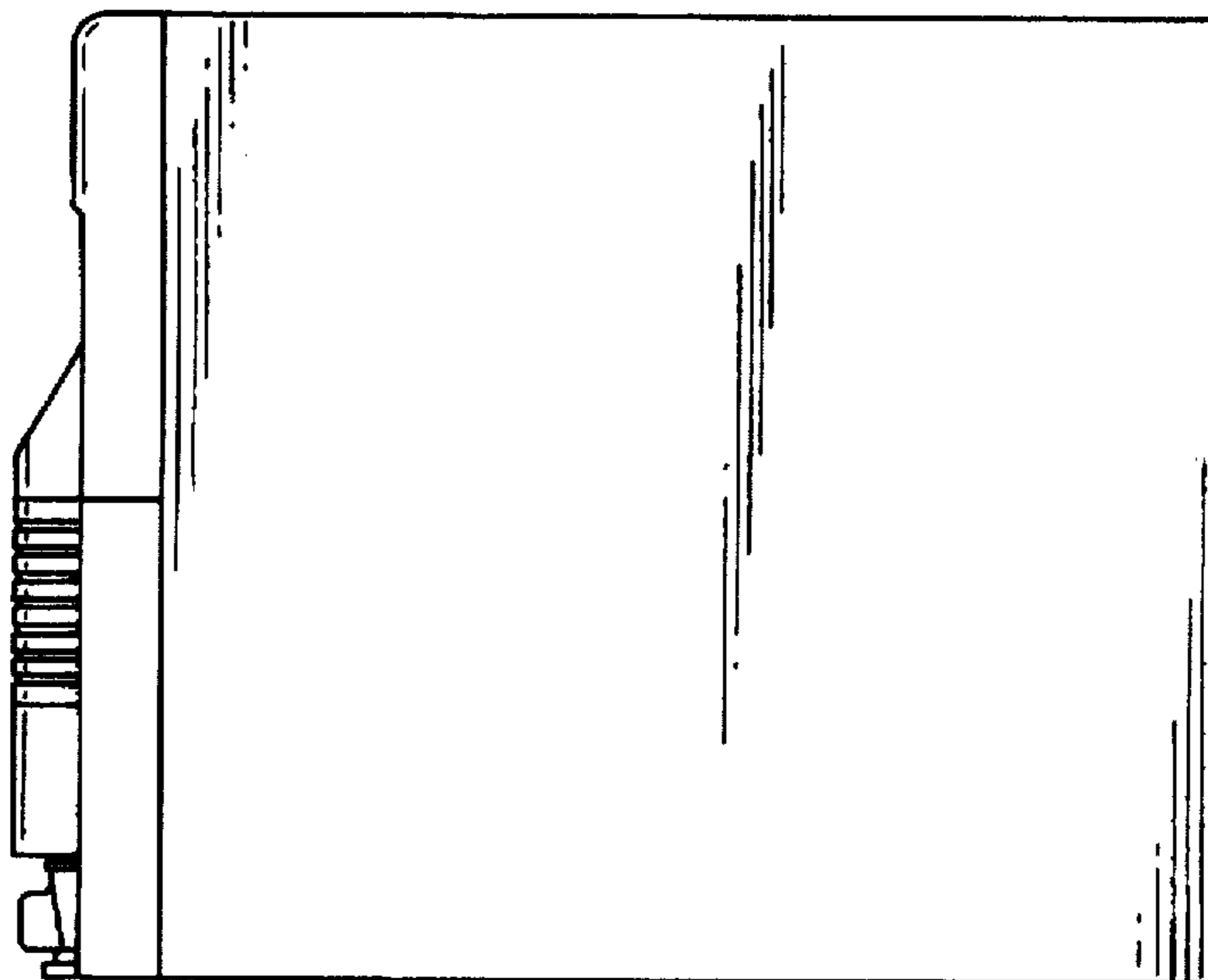


FIG. 9

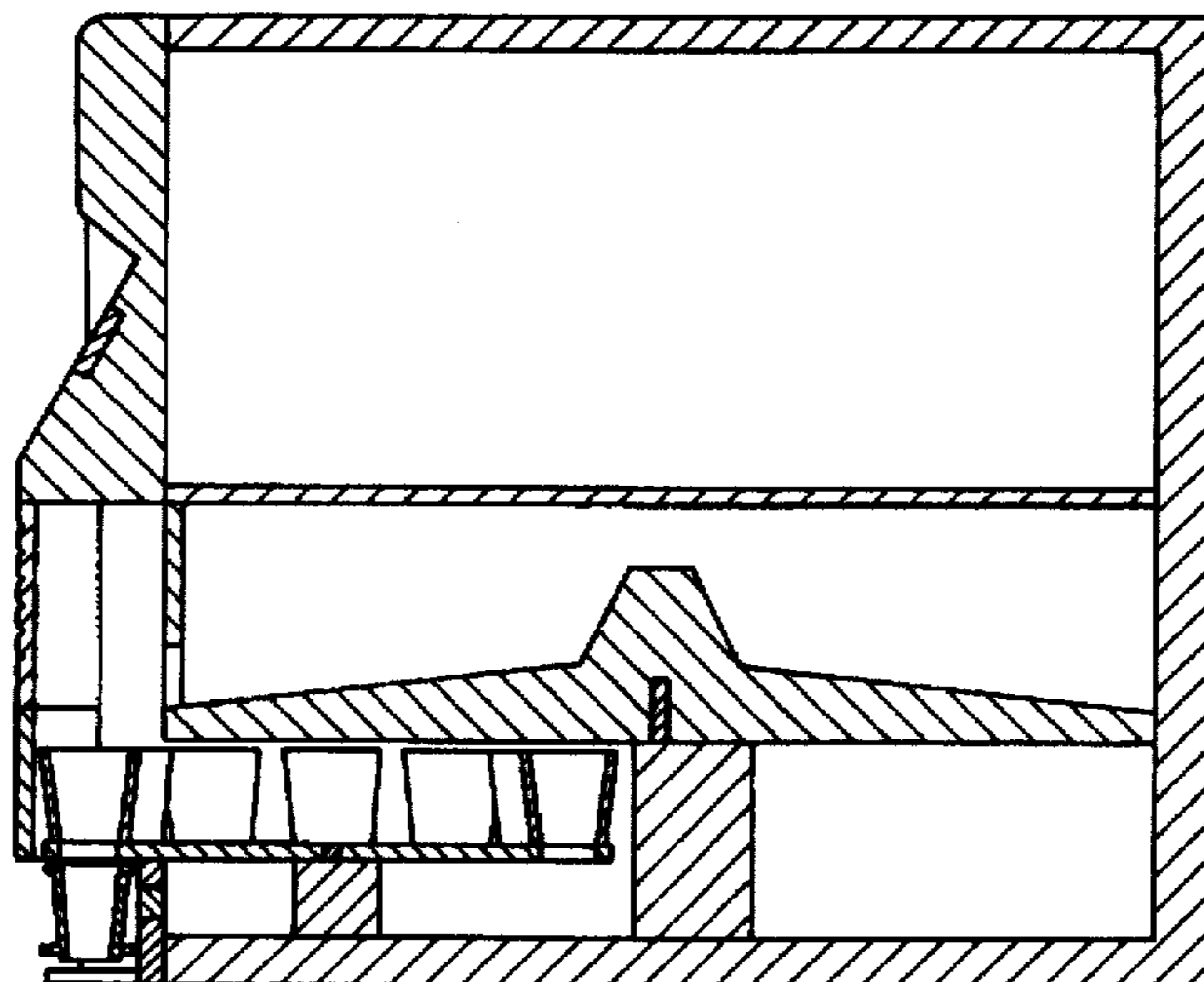


FIG. 10

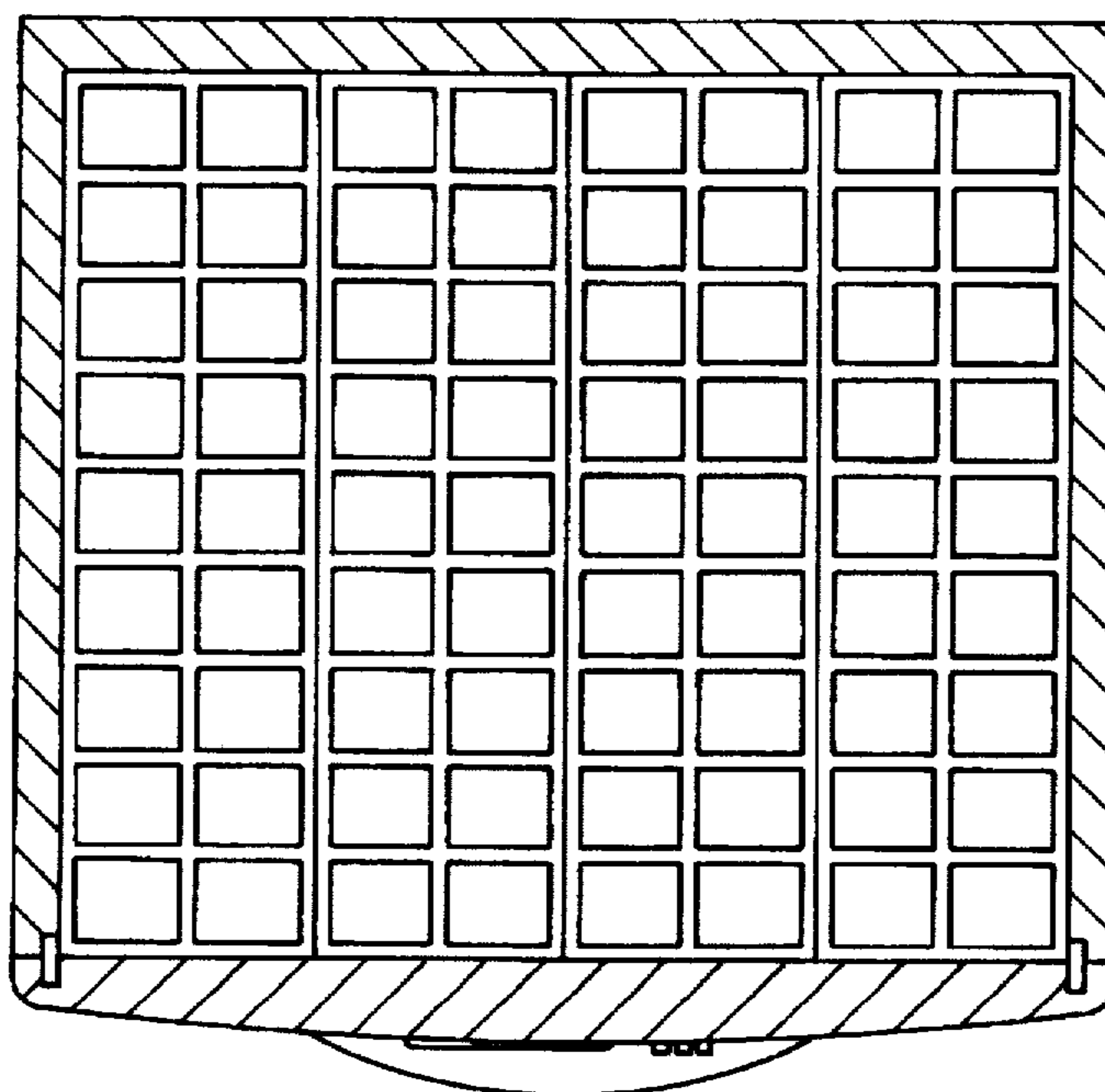


FIG. 11

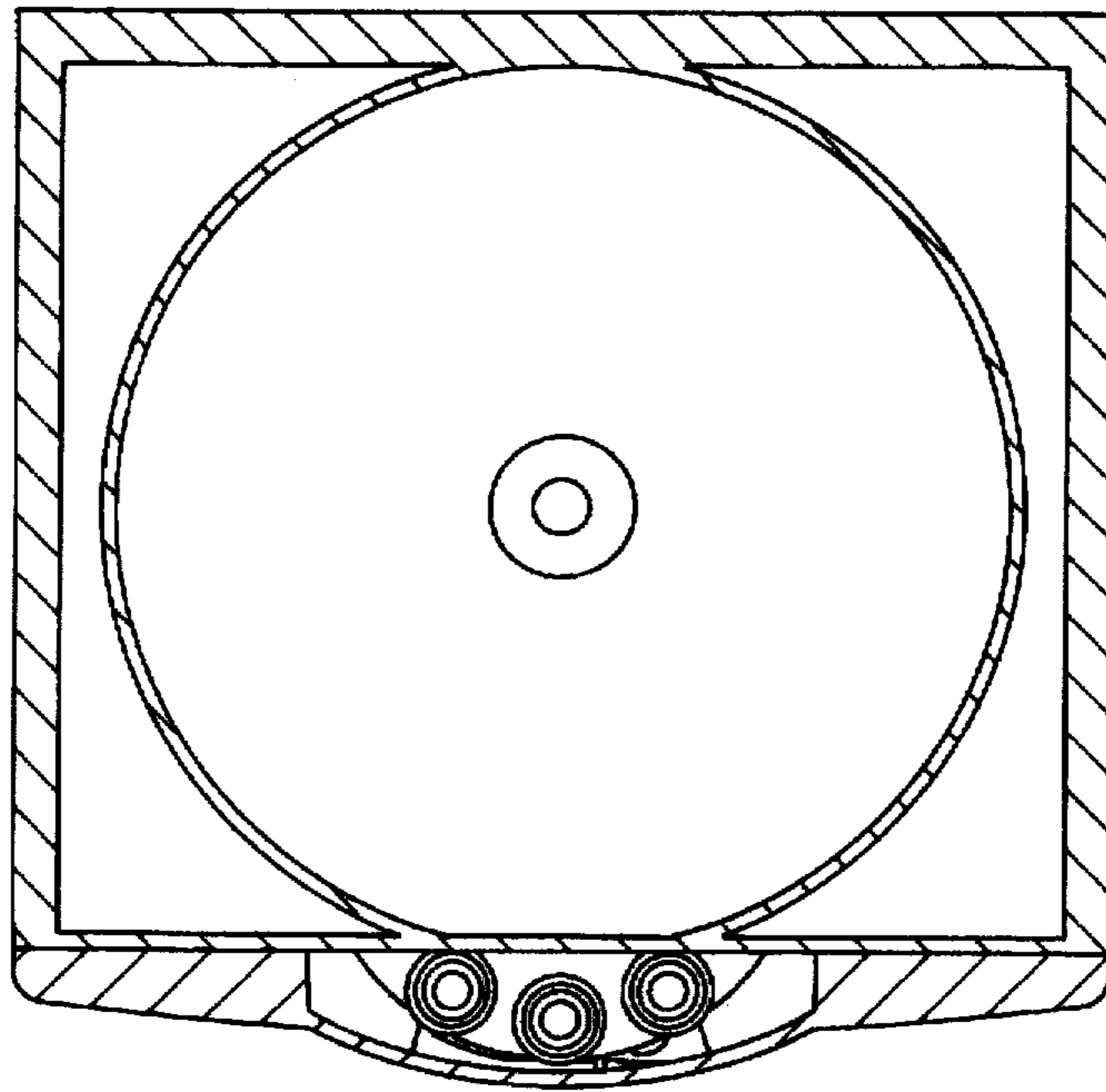


FIG. 12

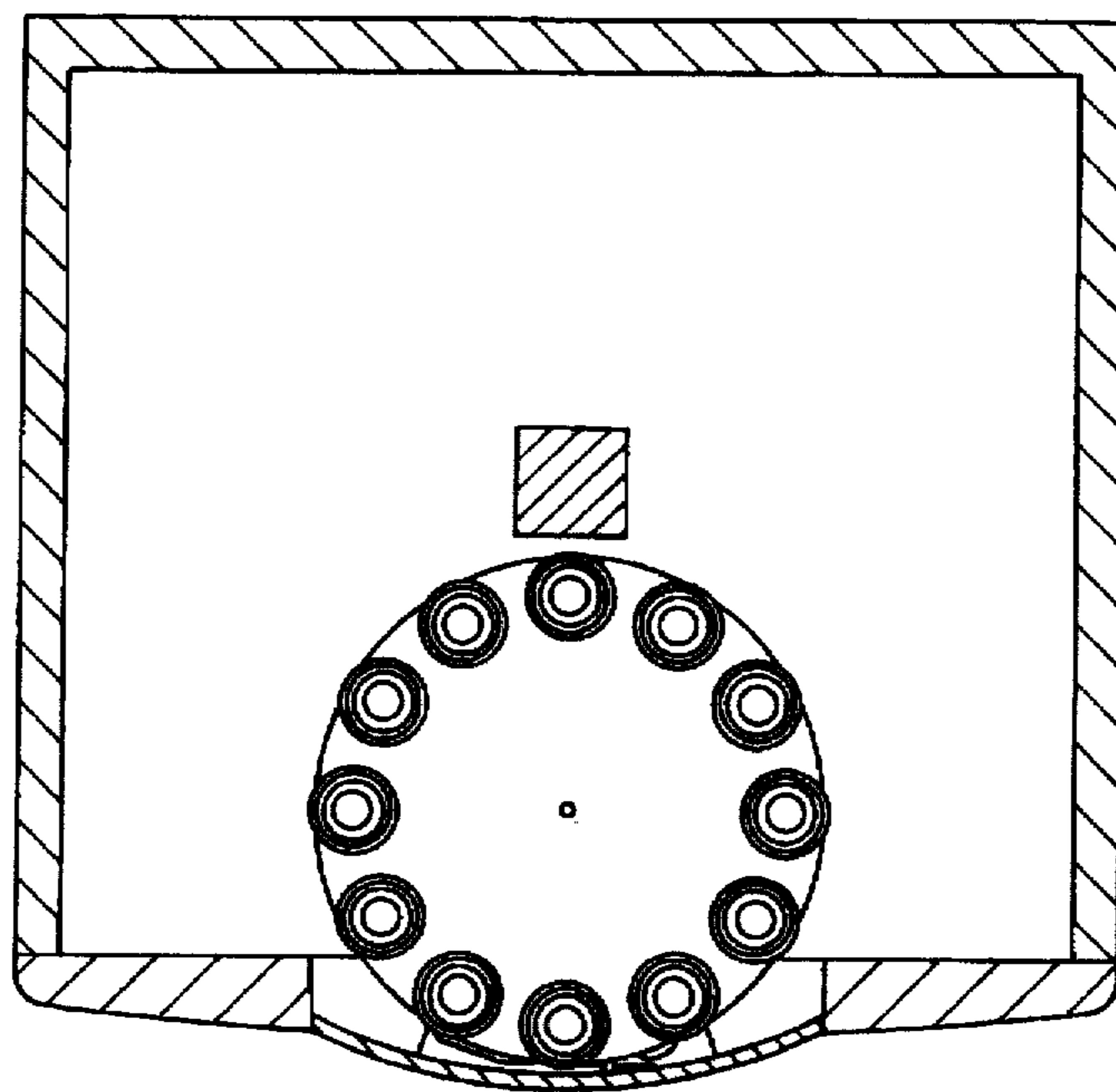


FIG. 13

