



US00D386258S

United States Patent [19]

Pearce et al.

[11] Patent Number: Des. 386,258

[45] Date of Patent: **Nov. 11, 1997

[54] COMBINED CEILING FAN AND LIGHT KIT

[75] Inventors: Richard A. Pearce; Jack Warren Gee, II, both of Memphis; Gary J. Feder, Germantown, all of Tenn.

[73] Assignee: Hunter Fan Company, Memphis, Tenn.

[**] Term: 14 Years

[21] Appl. No.: 50,126

[22] Filed: Feb. 8, 1996

[51] LOC (6) Cl. 23-04

[52] U.S. Cl. D23/377; D23/379; D23/385; D26/73

[58] Field of Search D23/377, 379, D23/385, 411, 413; 416/5; D26/73, 72, 51, 59, 81-86, 88; 392/364; 362/96

[56] References Cited

U.S. PATENT DOCUMENTS

- D. 82,179 6/1930 Ringwald .
- D. 212,441 10/1968 Espinosa D26/73
- D. 279,301 6/1985 Cobb .
- D. 319,513 8/1991 Vande Kieft .
- D. 346,858 5/1994 Lee .

- D. 362,737 9/1995 Messina, Jr. .
- D. 365,874 1/1996 Kuo .
- D. 375,156 10/1996 Tseng D23/385
- 5,349,513 9/1994 Taylor, III .
- 5,503,524 4/1996 Yu .

OTHER PUBLICATIONS

Hunter Fan Co. Adv. Flyer, front page, ceiling fan A, middle left side of page.

Primary Examiner—Lisa Lichtenstein
Attorney, Agent, or Firm—Baker, Donelson, Bearman & Caldwell

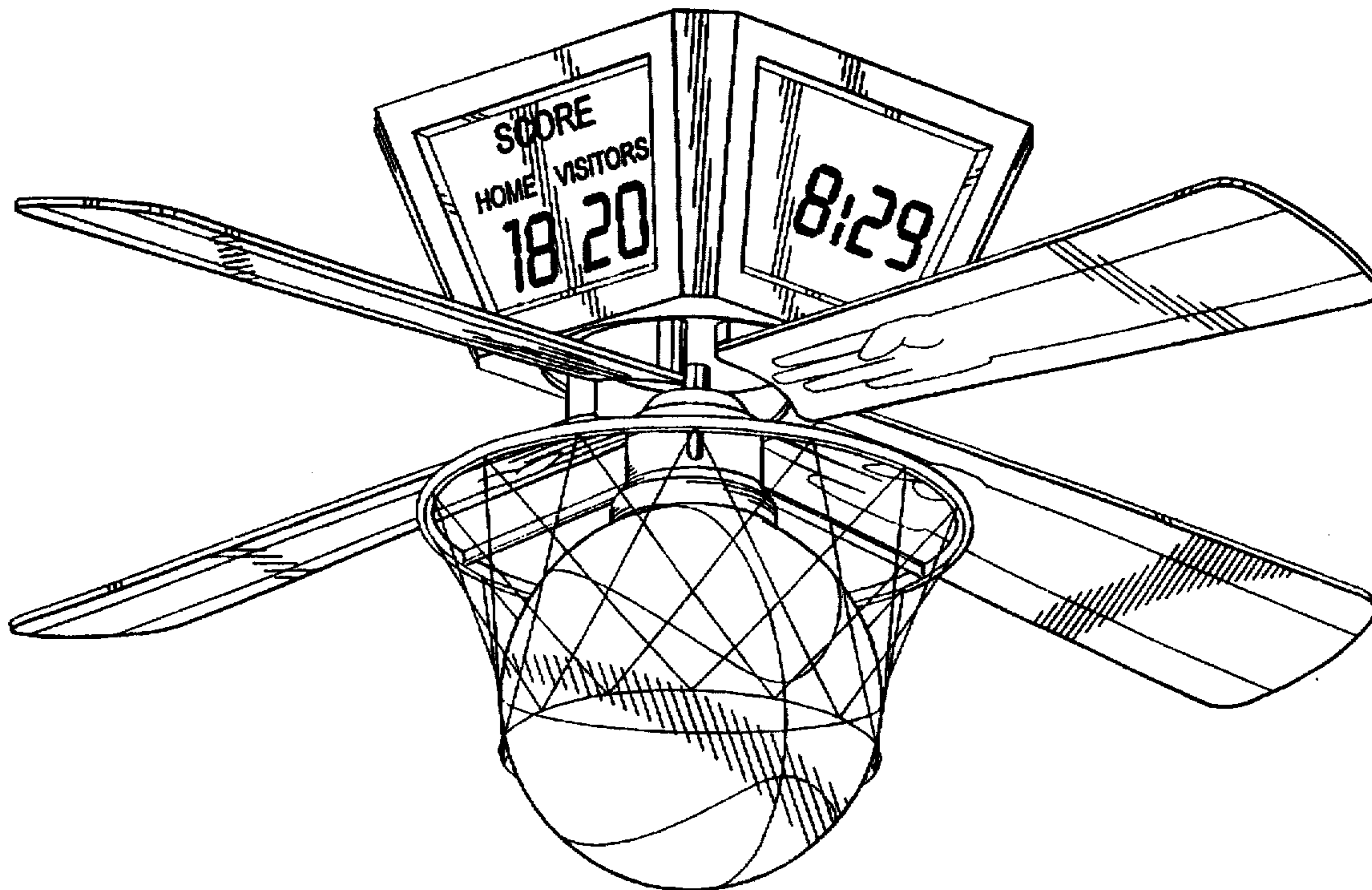
[57] CLAIM

The ornamental design for a combined ceiling fan and light kit, as shown.

DESCRIPTION

FIG. 1 is a side, bottom perspective view of a combined ceiling fan and light kit showing the new design; FIG. 2 is a bottom view thereof; FIG. 3 is a top view thereof; FIG. 4 is a left-side elevational view thereof; FIG. 5 is a front elevational thereof; FIG. 6 is a right side elevational view thereof; and, FIG. 7 is a rear elevational view thereof.

1 Claim, 5 Drawing Sheets



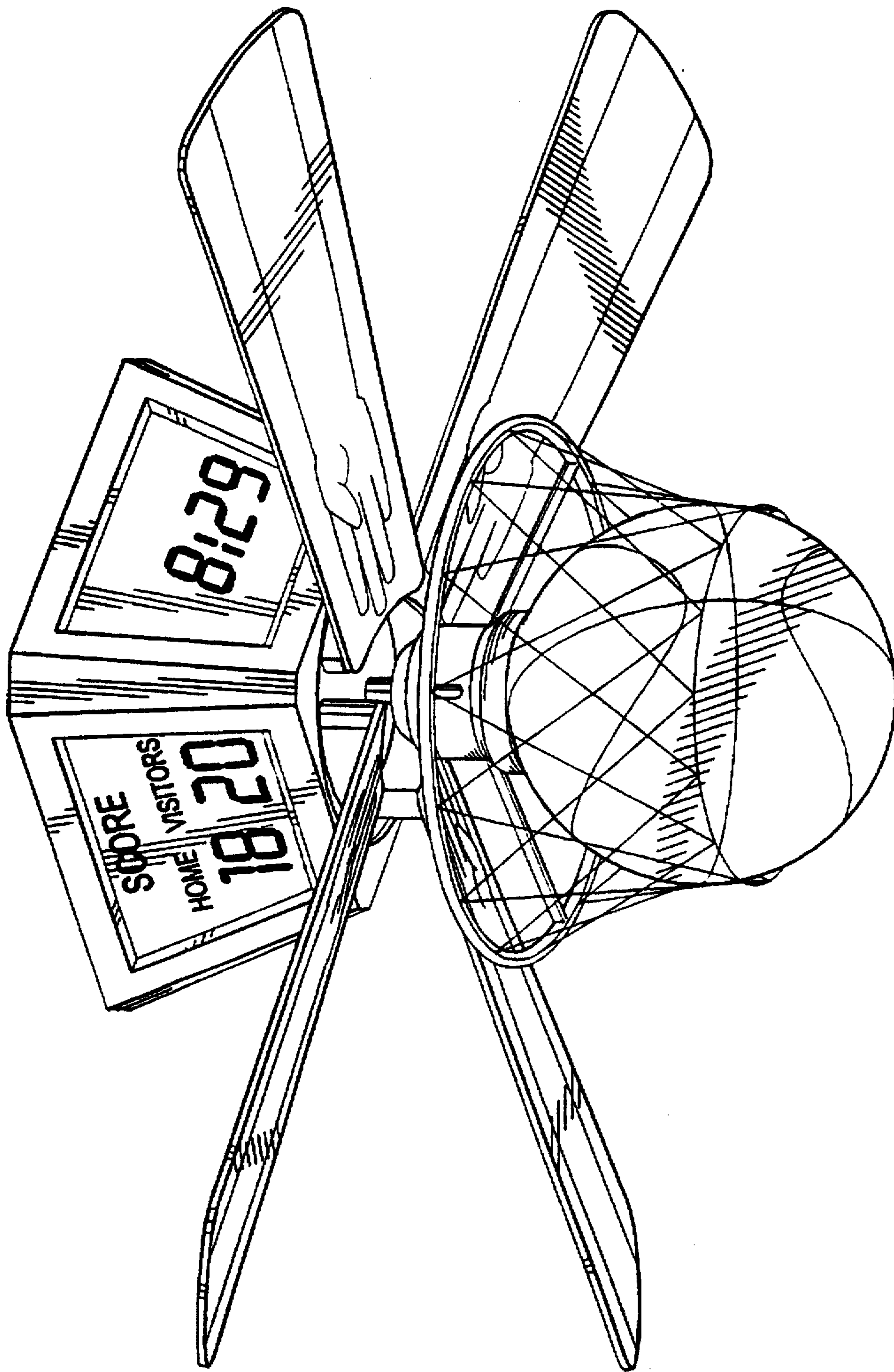


FIG 1

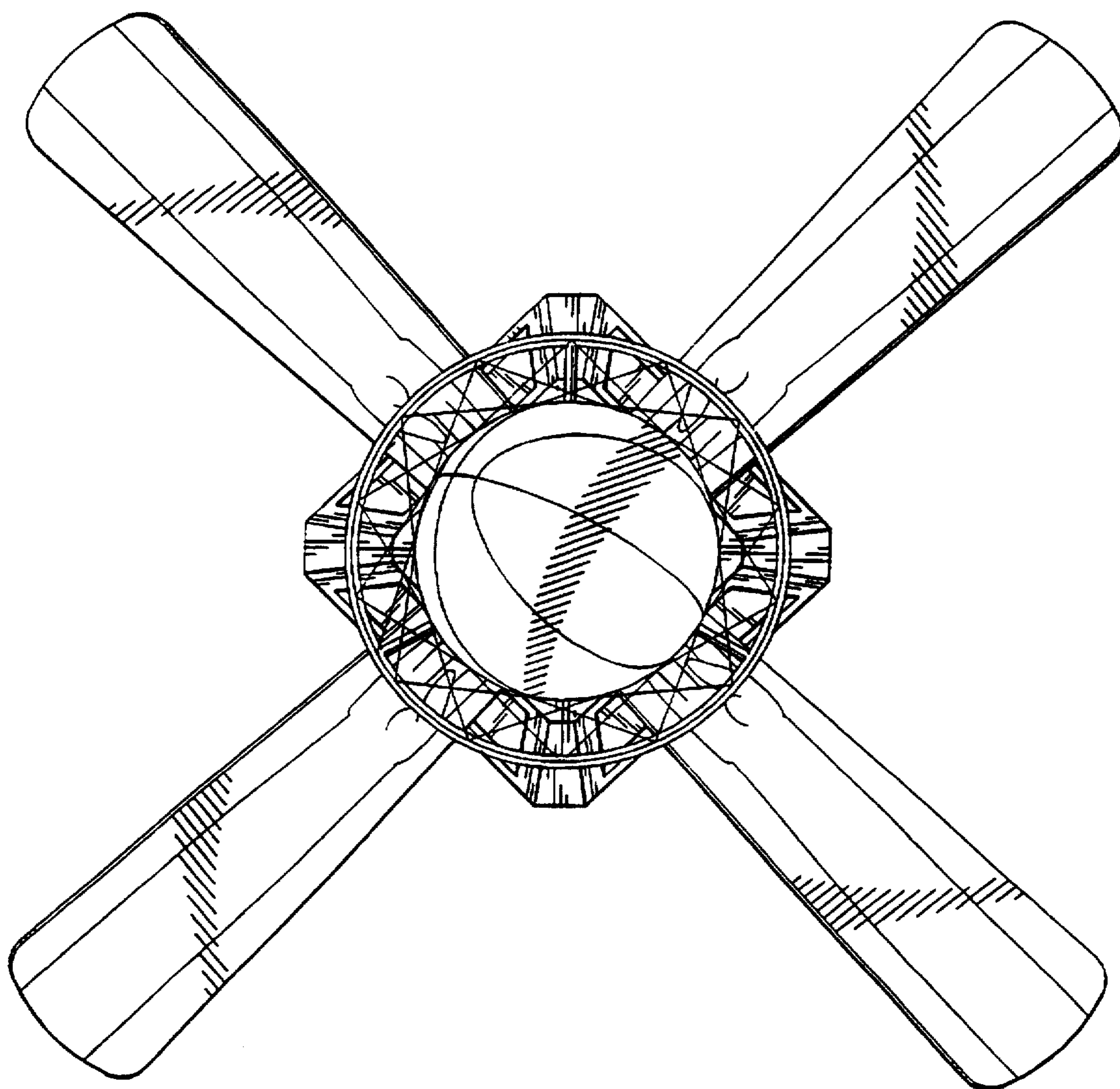


FIG 2

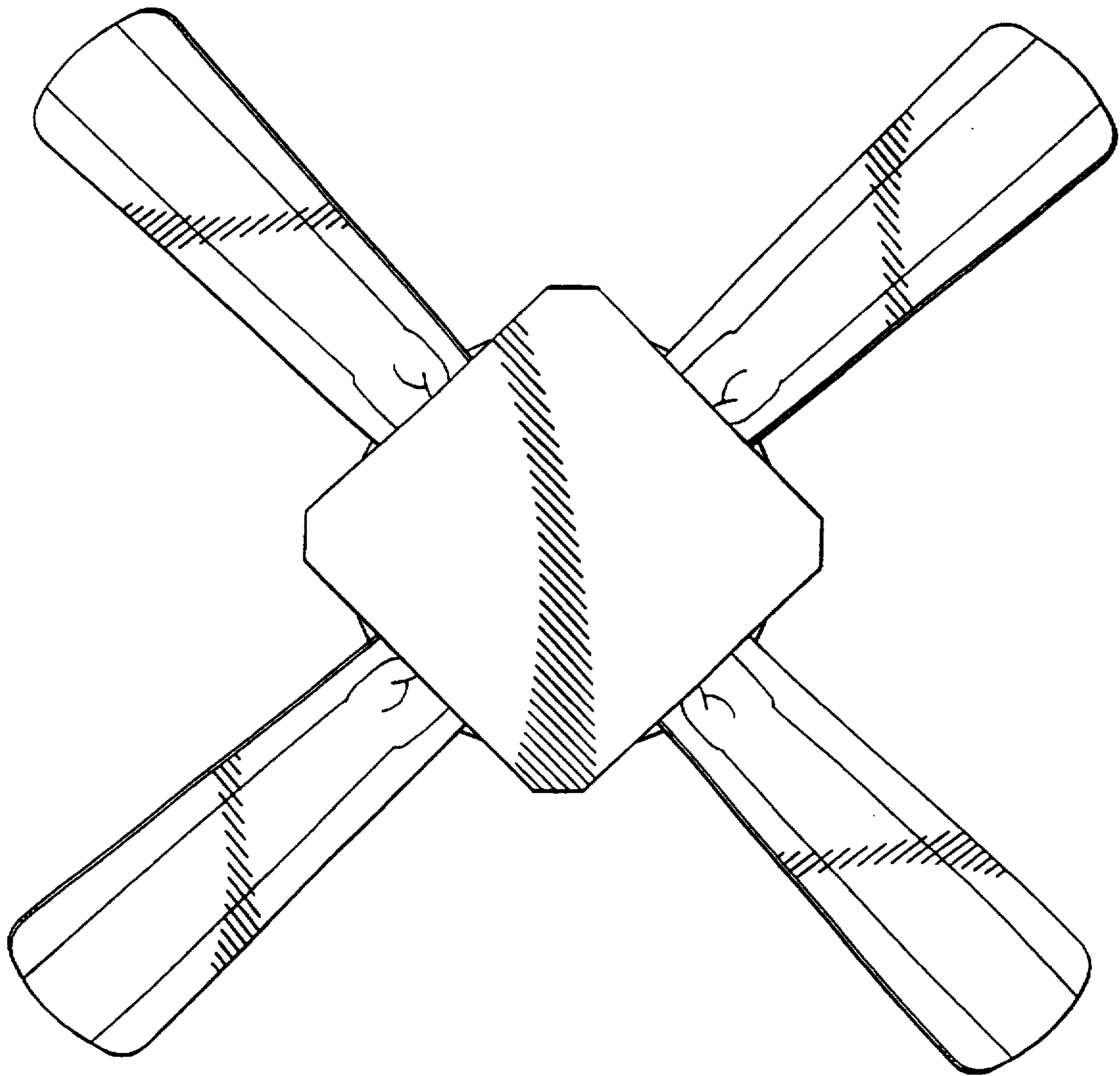


FIG 3

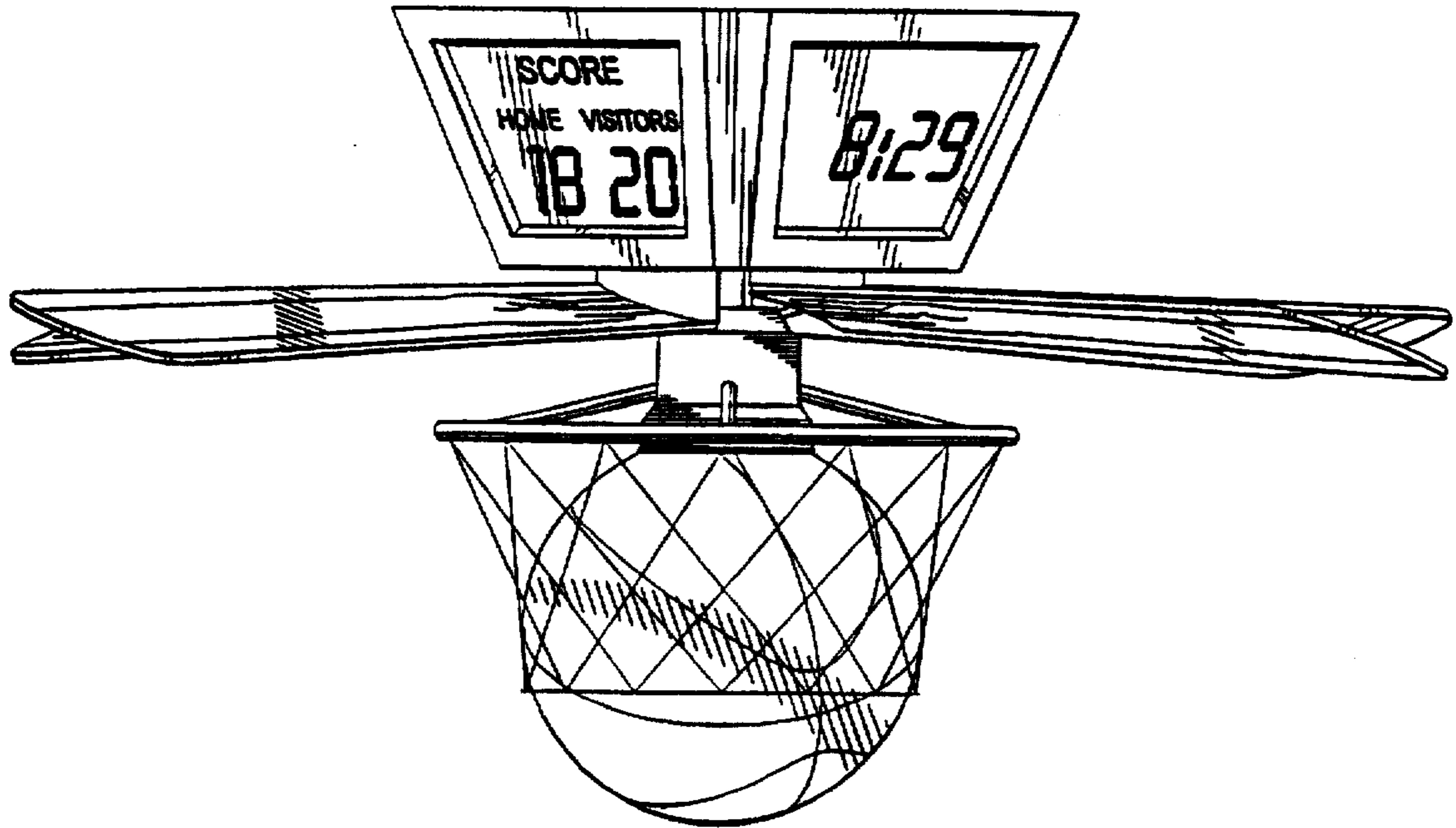


FIG 4

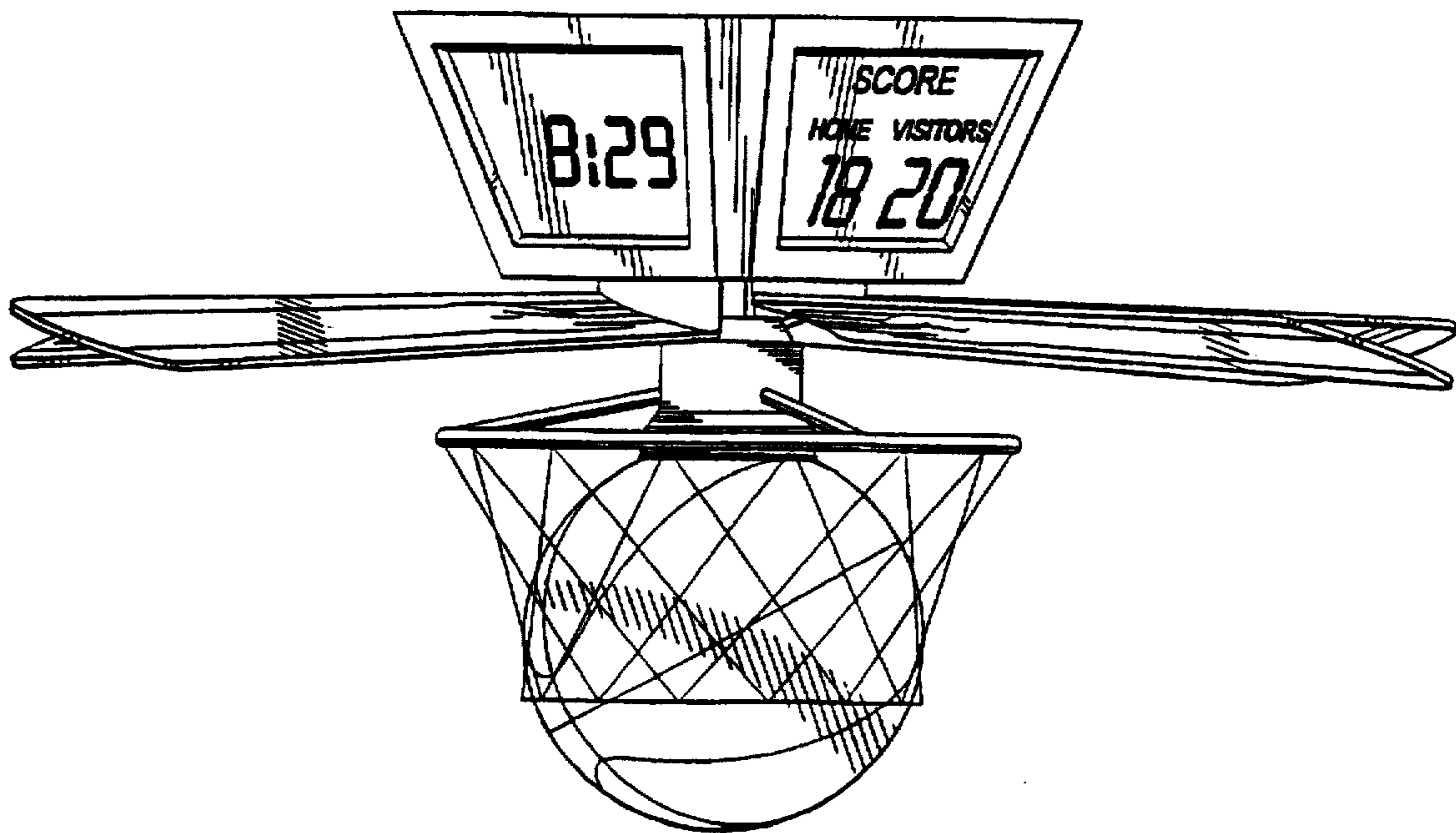


FIG 5

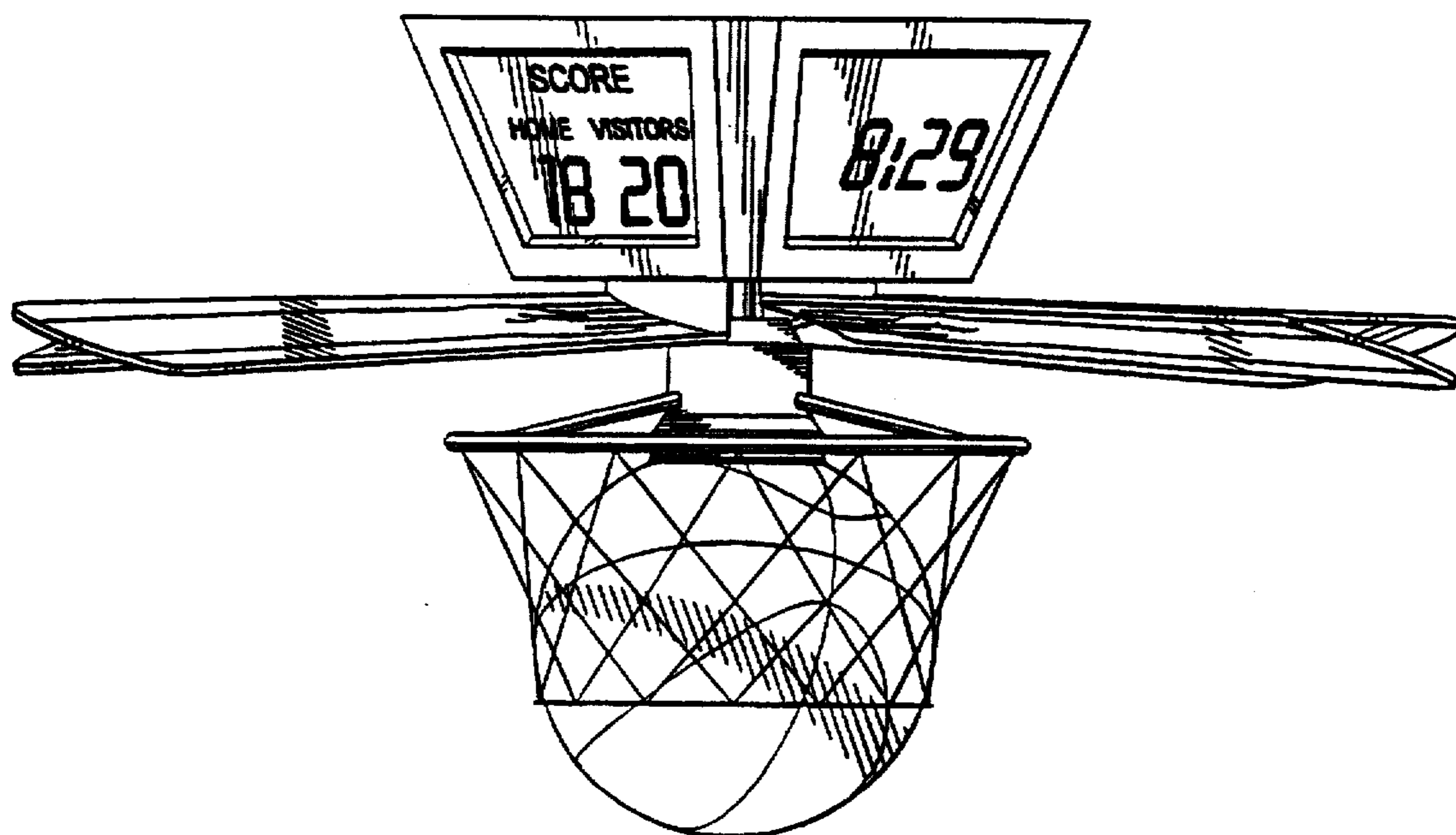


FIG 6

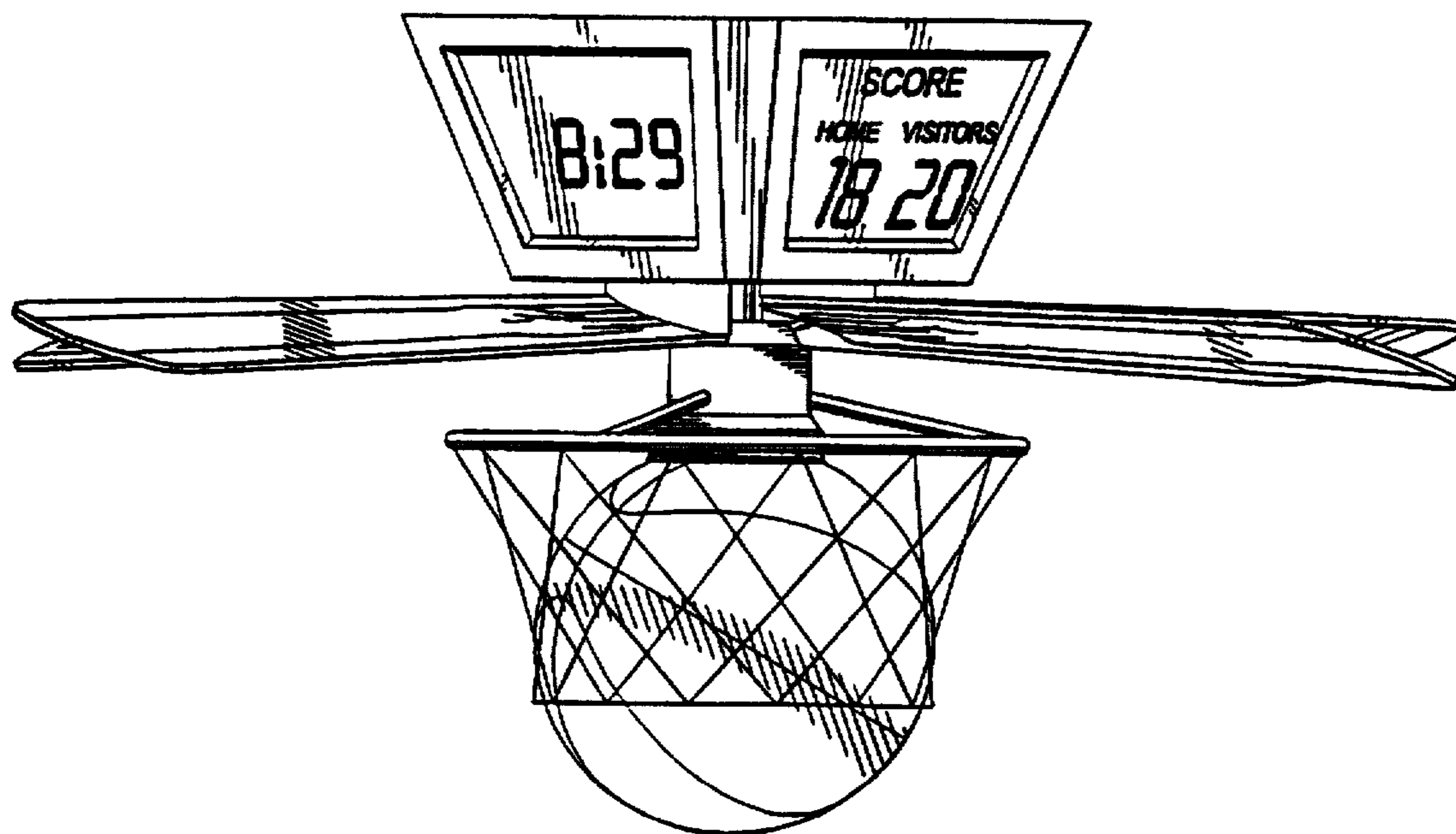


FIG 7