



US00D386257S

# United States Patent [19]

[11] Patent Number: **Des. 386,257**

Liu

[45] Date of Patent: **\*\*Nov. 11, 1997**

[54] **COMBINED CEILING FAN AND LIGHT FIXTURE**

|            |         |         |       |         |
|------------|---------|---------|-------|---------|
| D. 357,978 | 5/1995  | Young   | ..... | D23/377 |
| 5,154,579  | 10/1992 | Rezek   | ..... | 416/5   |
| 5,330,323  | 7/1994  | Swanson | ..... | 416/5   |

[76] Inventor: **Chen-Tze Liu**, No. 465 Shuei-Yuan Road, Feng-Yuan City, Taichung County, Taiwan

*Primary Examiner*—Lisa Lichtenstein  
*Attorney, Agent, or Firm*—Morton J. Rosenberg; David I. Klein

[\*\*] Term: **14 Years**

### [57] CLAIM

[21] Appl. No.: **58,499**

The ornamental design for a combined ceiling fan and light fixture, as shown.

[22] Filed: **Aug. 16, 1996**

### DESCRIPTION

[51] LOC (6) CL ..... **23-04**

[52] U.S. Cl. .... **D23/377; D23/379; D23/385**

[58] Field of Search ..... **D23/377, 379, D23/385, 411, 413; 416/5; 392/364; 362/96; D26/81-86, 88, 59, 51, 72**

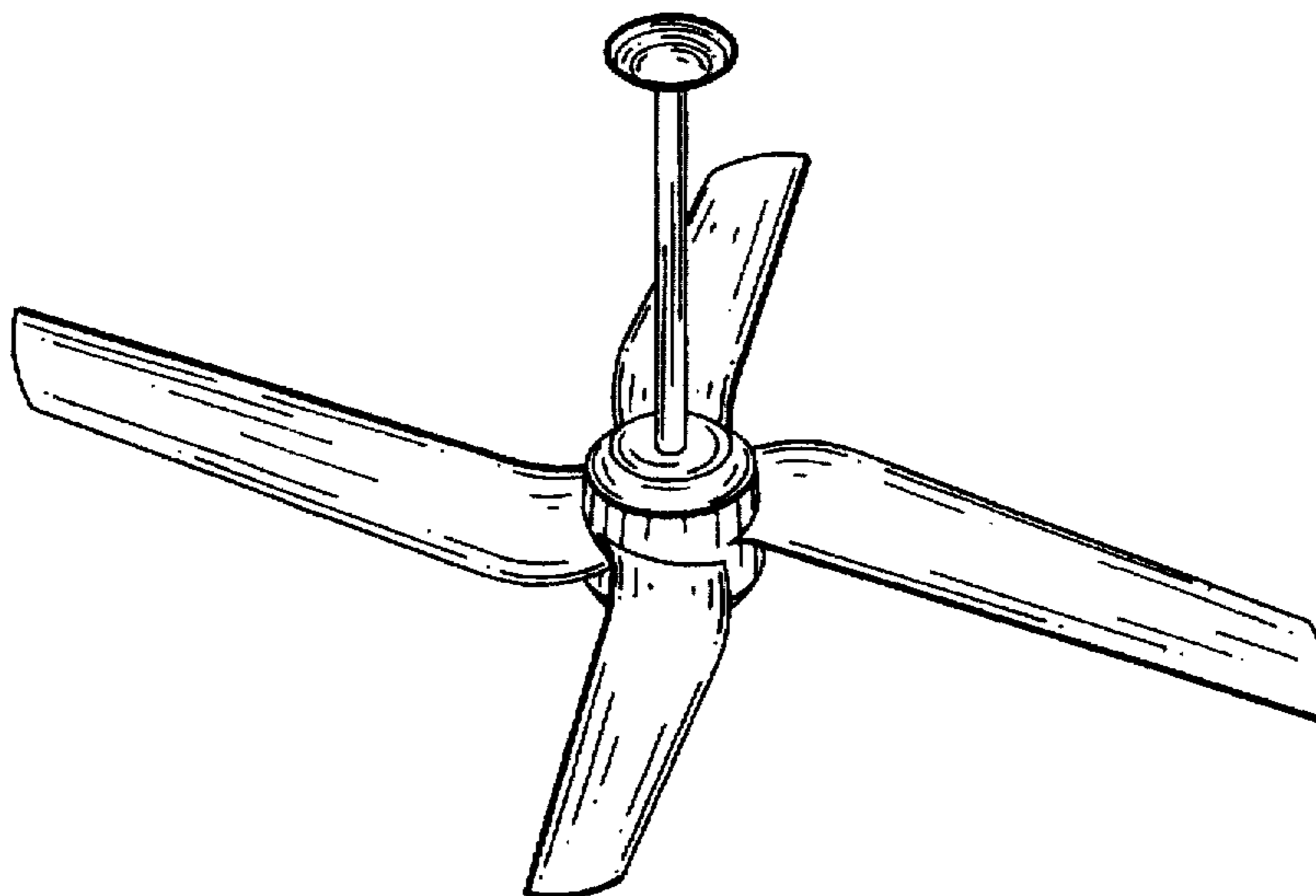
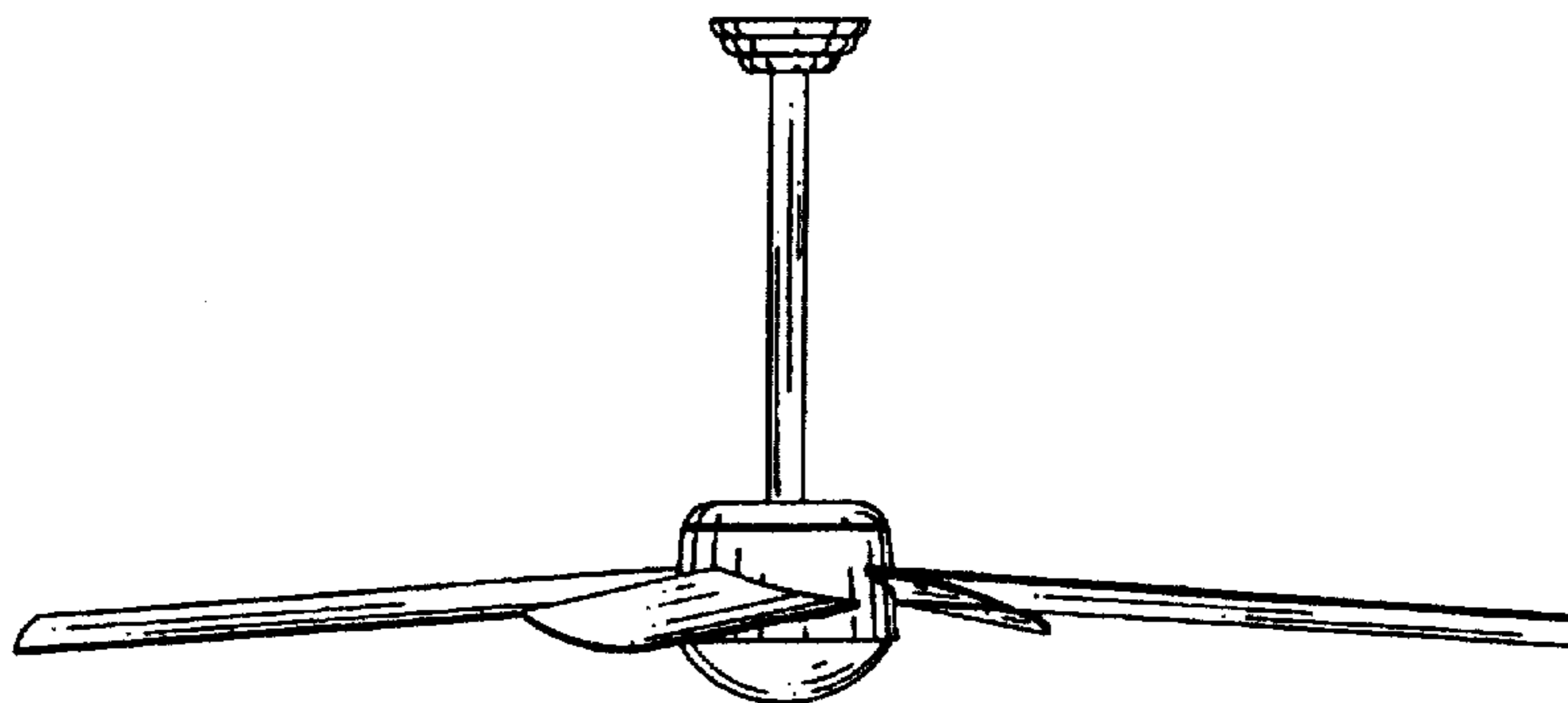
FIG. 1 is a front elevational view of ceiling fan showing my new design;  
FIG. 2 is a left side elevational view thereof;  
FIG. 3 is a right side elevational view thereof;  
FIG. 4 is a top plan view thereof;  
FIG. 5 is a bottom plan view thereof;  
FIG. 6 is a rear elevational view thereof; and,  
FIG. 7 is a perspective view thereof.

### [56] References Cited

#### U.S. PATENT DOCUMENTS

|            |        |        |       |         |
|------------|--------|--------|-------|---------|
| D. 337,156 | 7/1993 | Jaeger | ..... | D23/377 |
| D. 355,027 | 1/1995 | Young  | ..... | D23/377 |

**1 Claim, 7 Drawing Sheets**



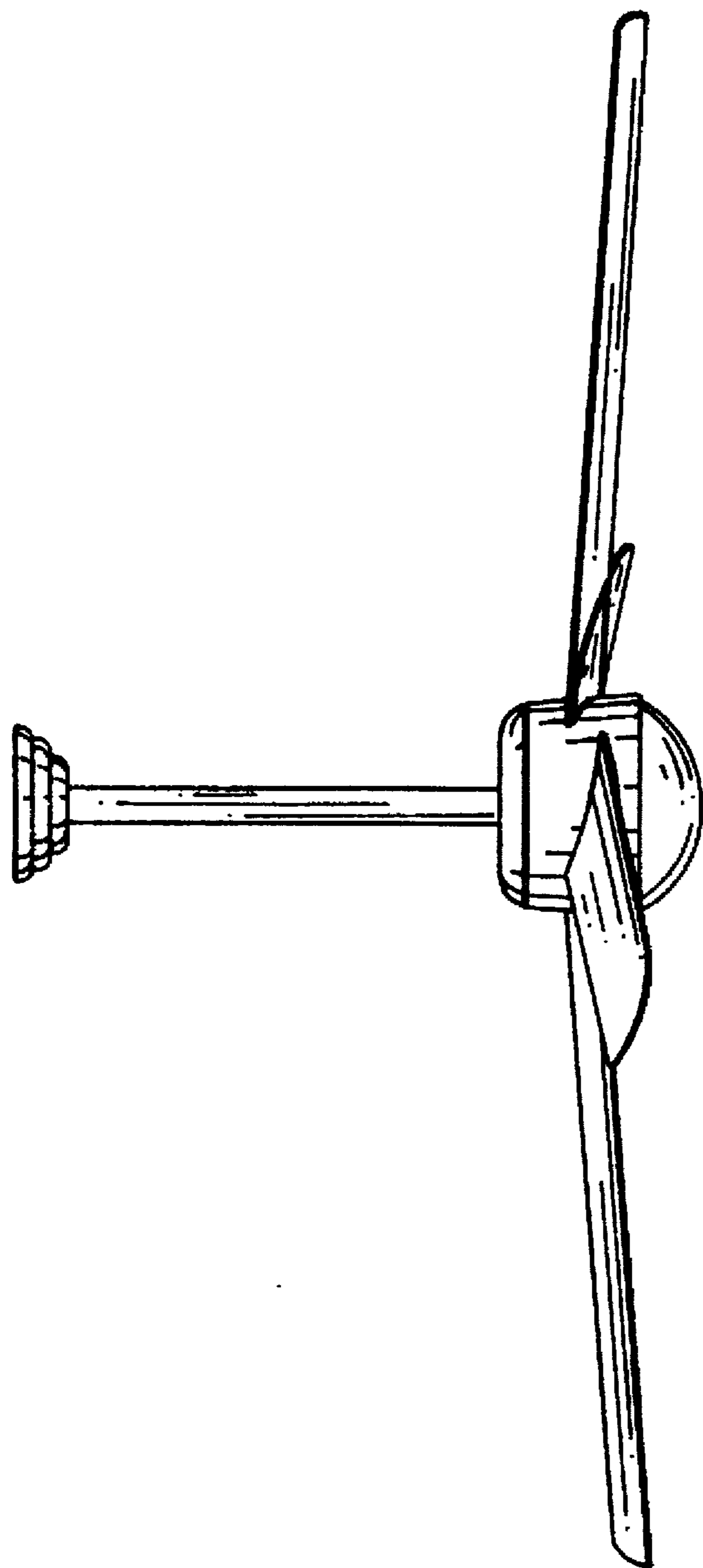


FIG. 1

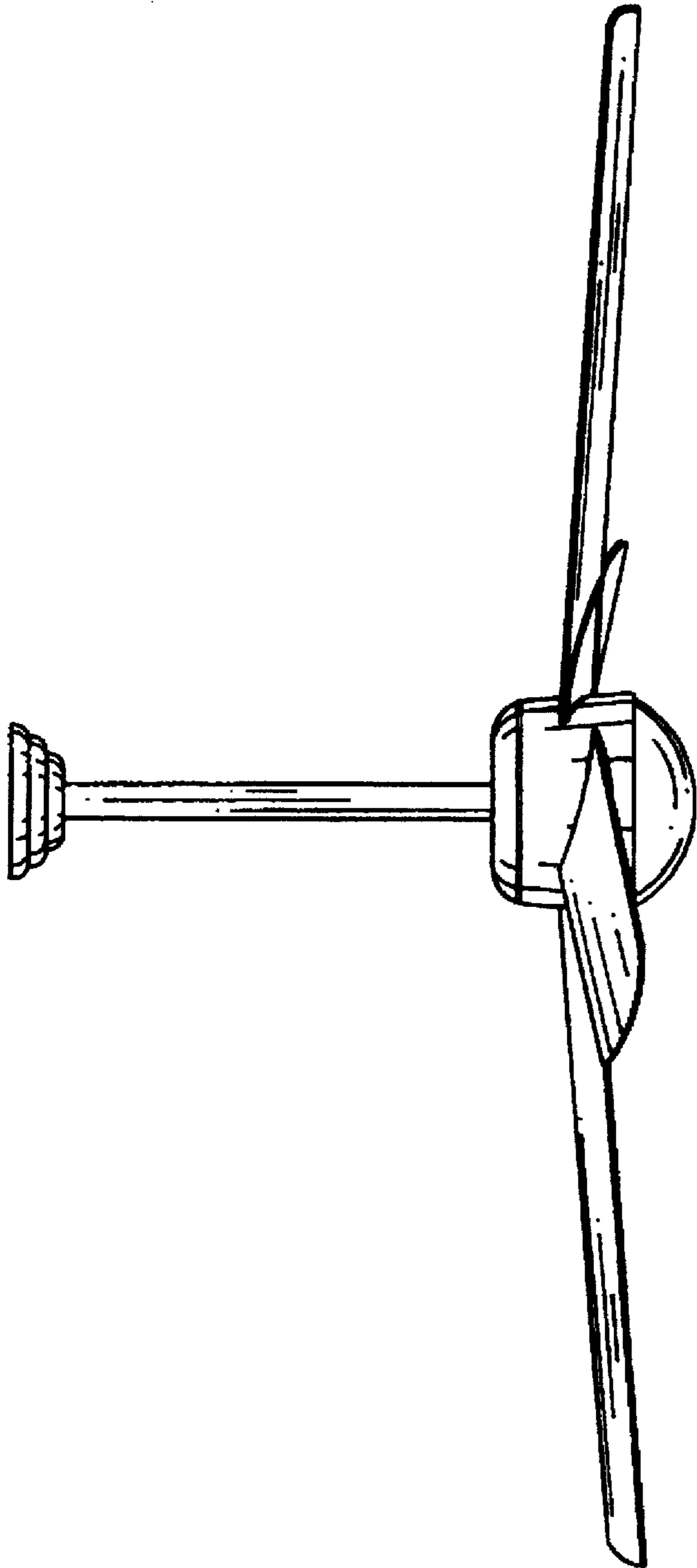


FIG. 2

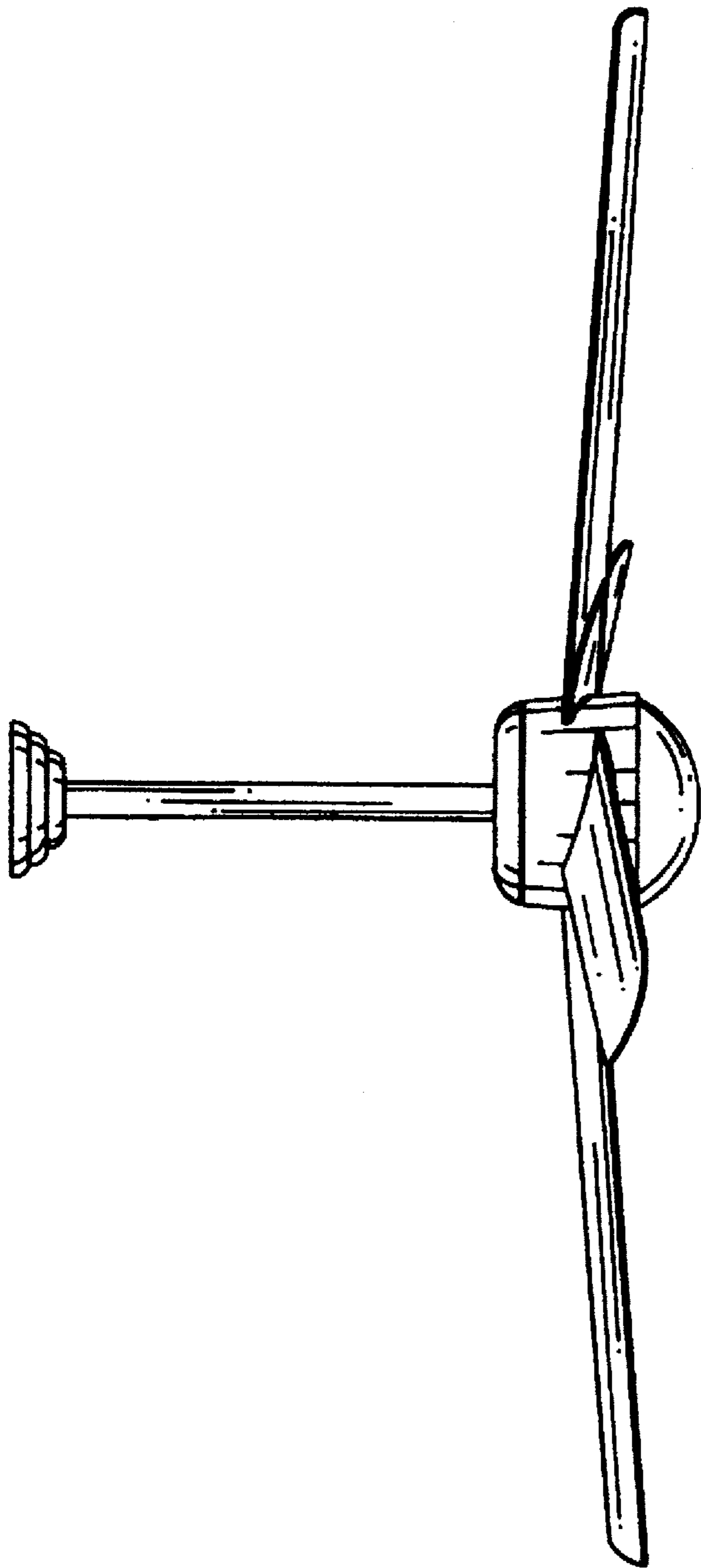


FIG. 3

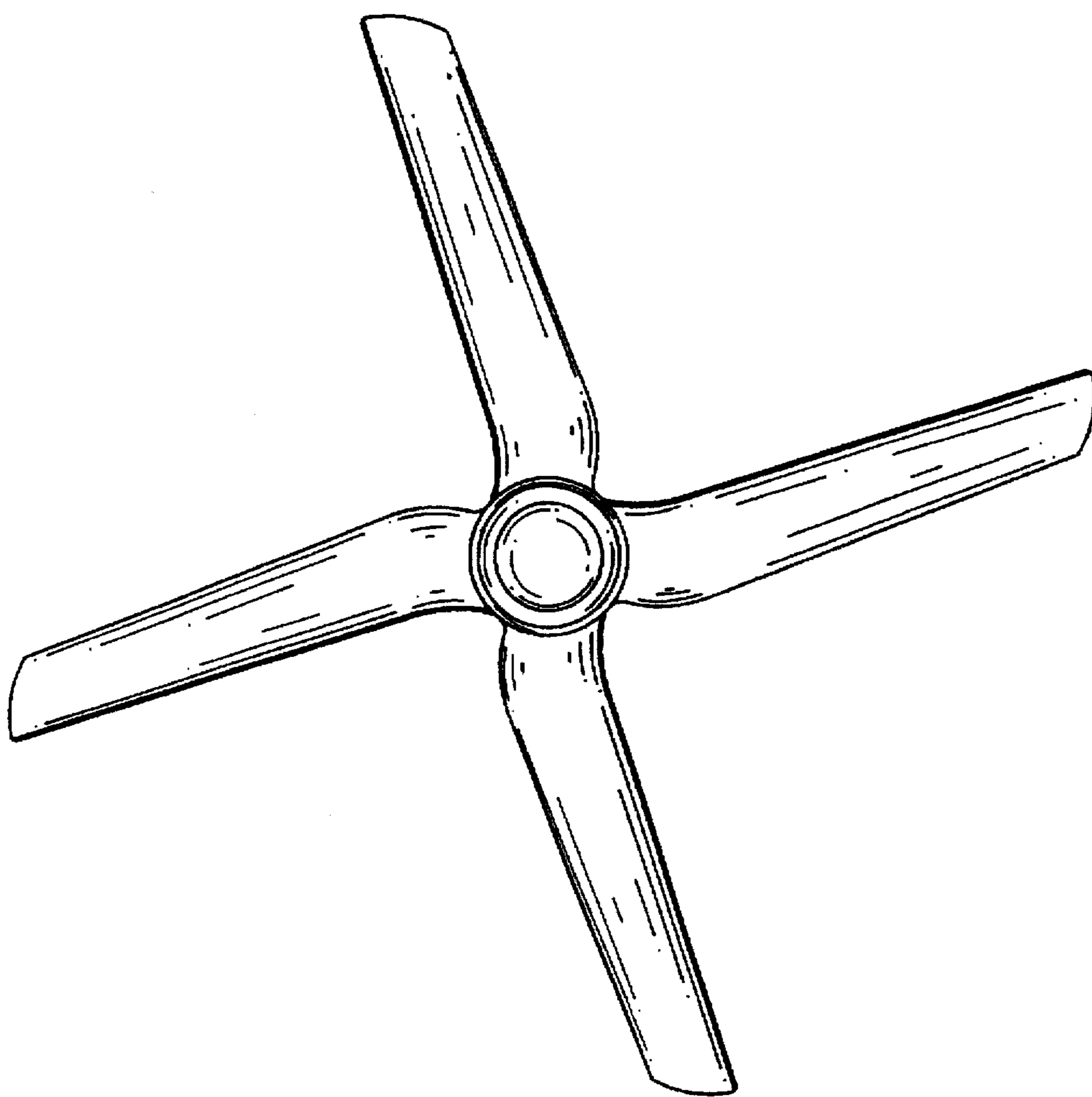


FIG. 4

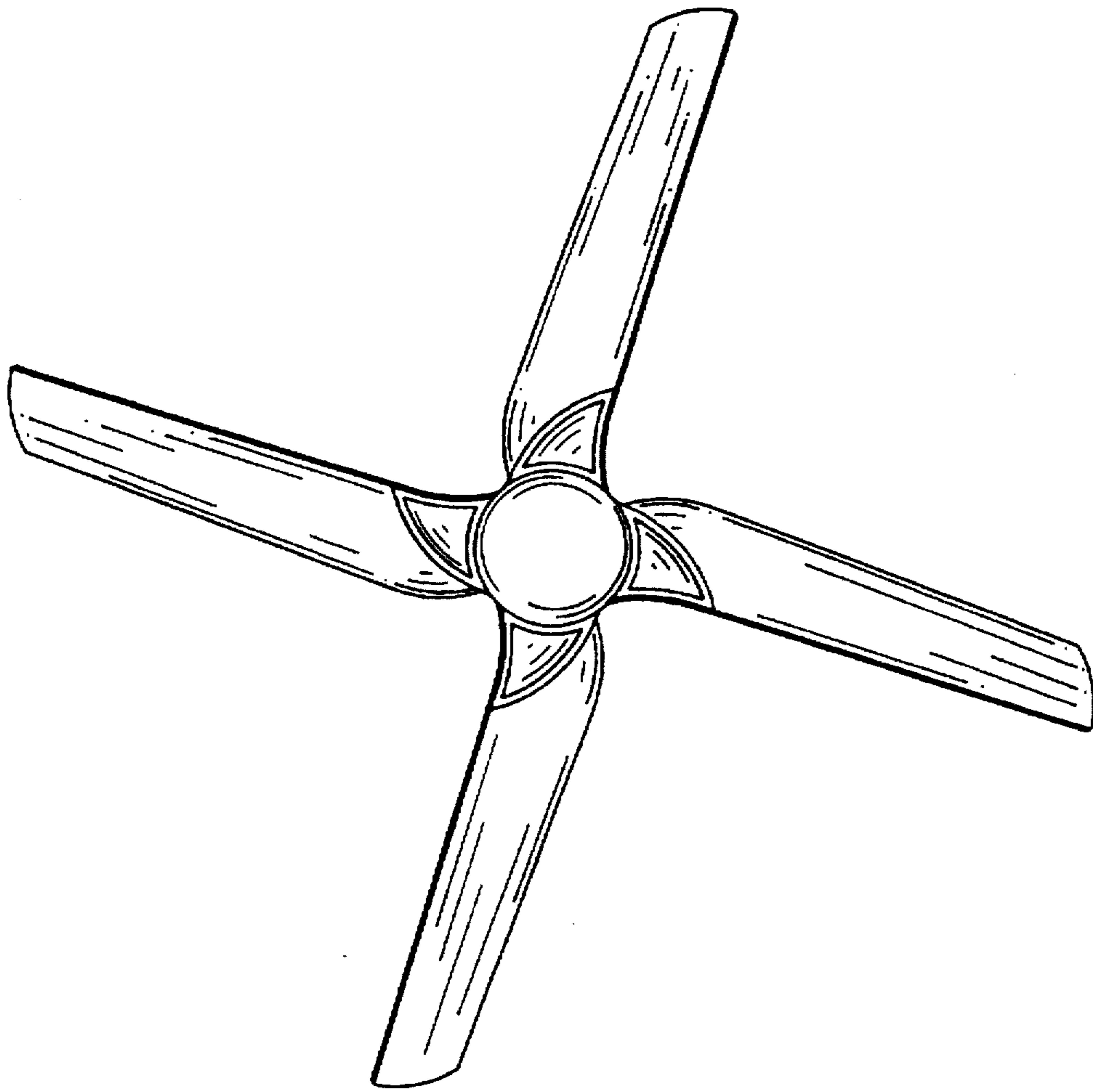


FIG. 5

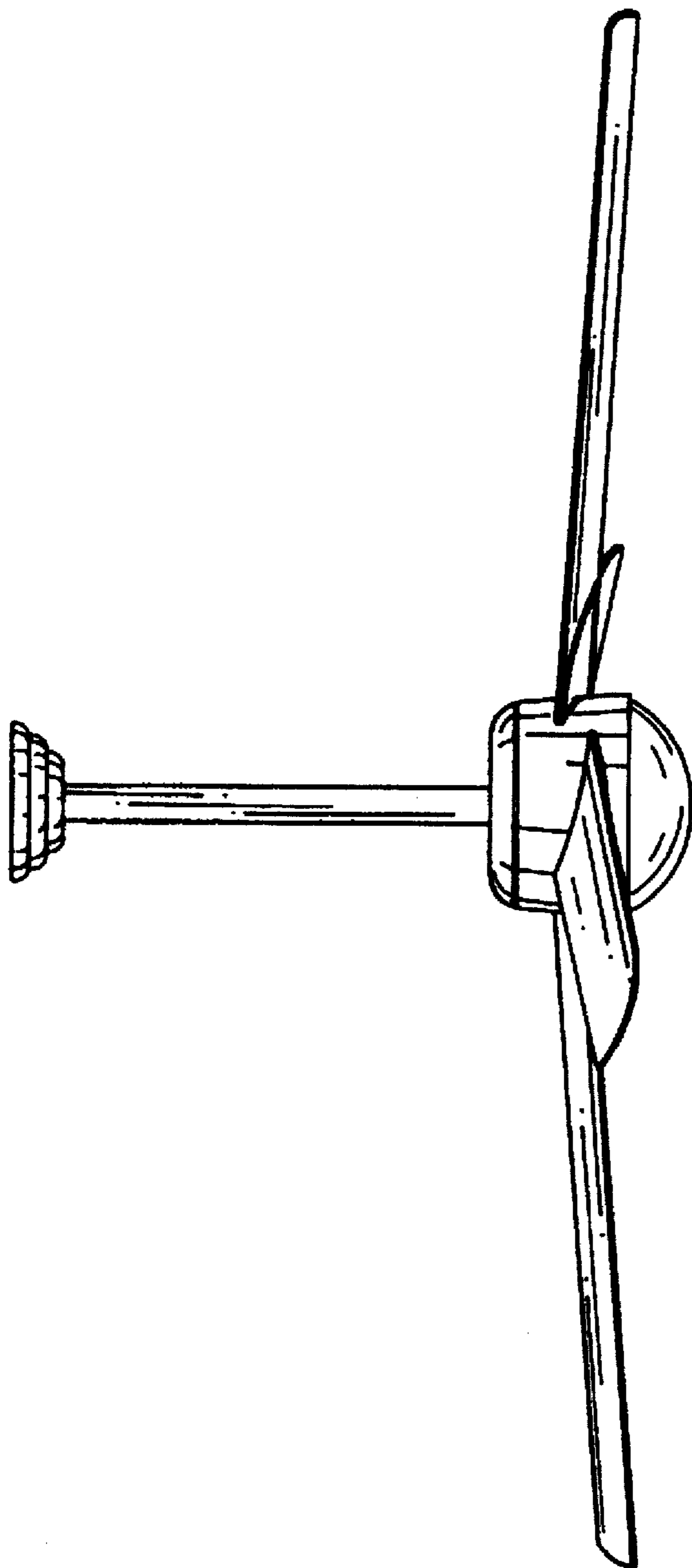


FIG. 6

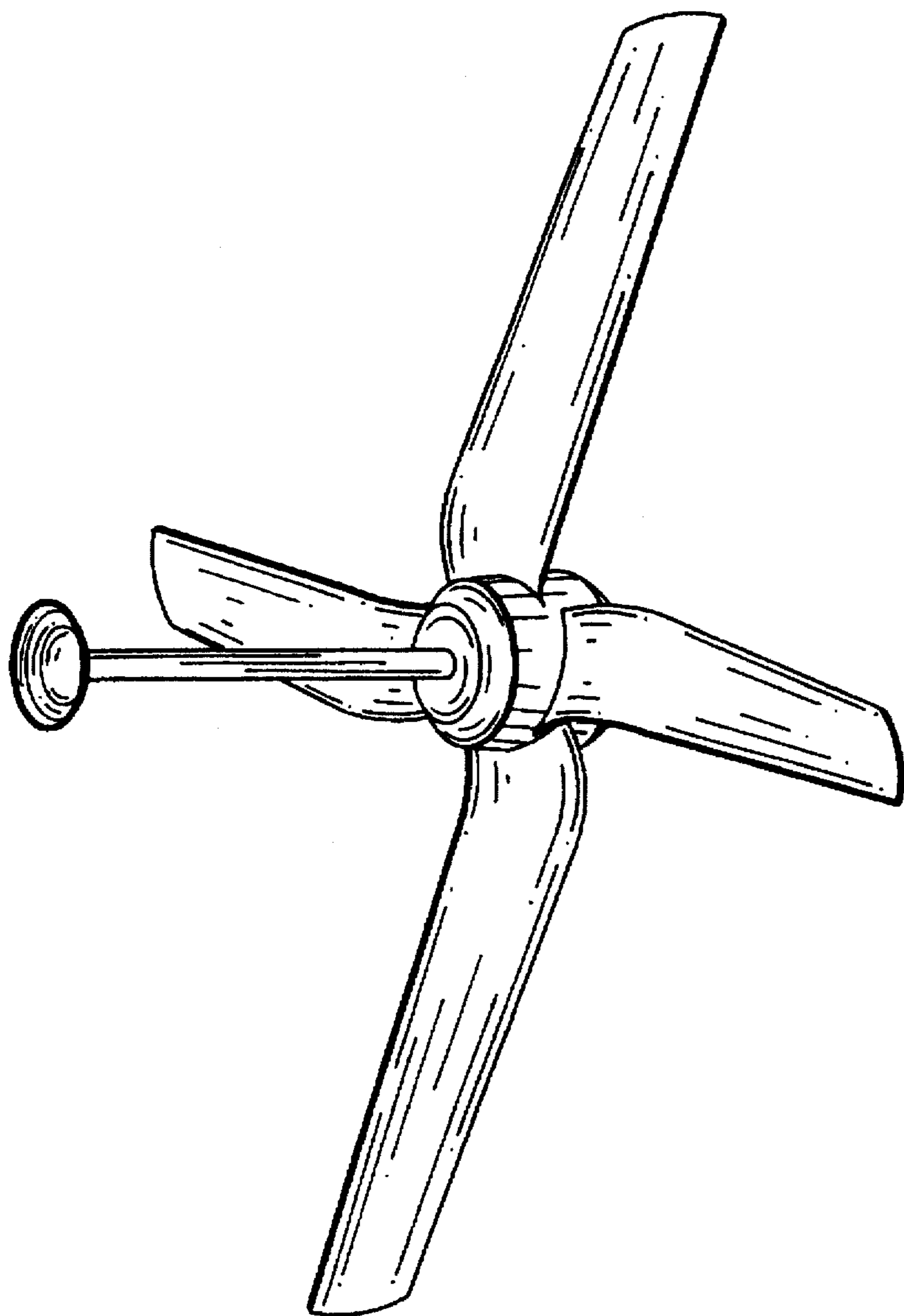


FIG. 7