

US00D386256S

United States Patent [19]

[11] Patent Number: **Des. 386,256**

Turpin

[45] Date of Patent: ****Nov. 11, 1997**

[54] **SCENT DISPENSER ATTACHABLE TO A HUNTER'S BOOT**

5,148,949 9/1992 Luca 43/1
5,263,274 11/1993 Speed 43/1

[76] Inventor: **Dennis Lee Turpin**, Rte. 6, Box 17,
Bedford, Va. 24523

FOREIGN PATENT DOCUMENTS

9104657 4/1991 WIPO 119/711

[**] Term: **14 Years**

Primary Examiner—Lisa Lichtenstein

[21] Appl. No.: **62,980**

[57] CLAIM

[22] Filed: **Nov. 7, 1996**

The ornamental design for a scent dispenser attachable to a hunter's boot, as shown and described.

[51] LOC (6) Cl. **23-04**

DESCRIPTION

[52] U.S. Cl. **D23/368; D3/221; D22/125; D23/366**

FIG. 1 is a front elevational view of the scent dispenser attachable to a hunter's boot showing my new design; FIG. 2 is a rear elevational view thereof; FIG. 3 is a right side view thereof; FIG. 4 is a left side view thereof; FIG. 5 is a top plan view thereof; and, FIG. 6 is a bottom plan view thereof.

[58] **Field of Search** D23/366-369; D22/125; D3/215, 221; 239/36, 51, 37; 222/175, 187; D9/520, 571, 573, 337; 43/1; 224/222, 148.6

The cross-hatching represents conventional fabric and is understood to extend uniformly throughout the areas represented.

[56] References Cited

U.S. PATENT DOCUMENTS

3,220,591 11/1965 Hidding D9/520
4,506,806 3/1985 Lincoln et al. 222/175
5,060,411 10/1991 Uhlman 43/1

1 Claim, 3 Drawing Sheets

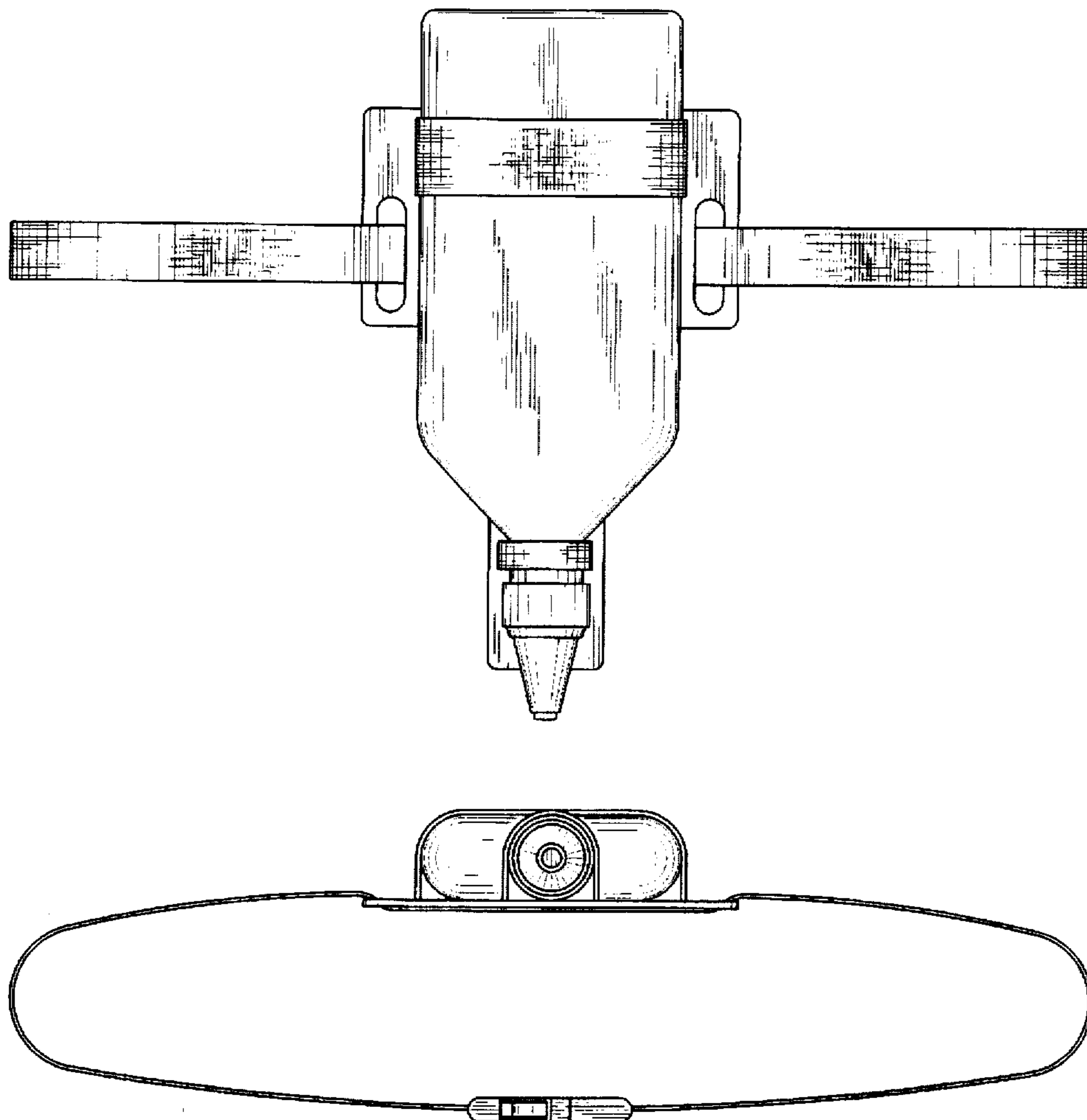


FIG. 1

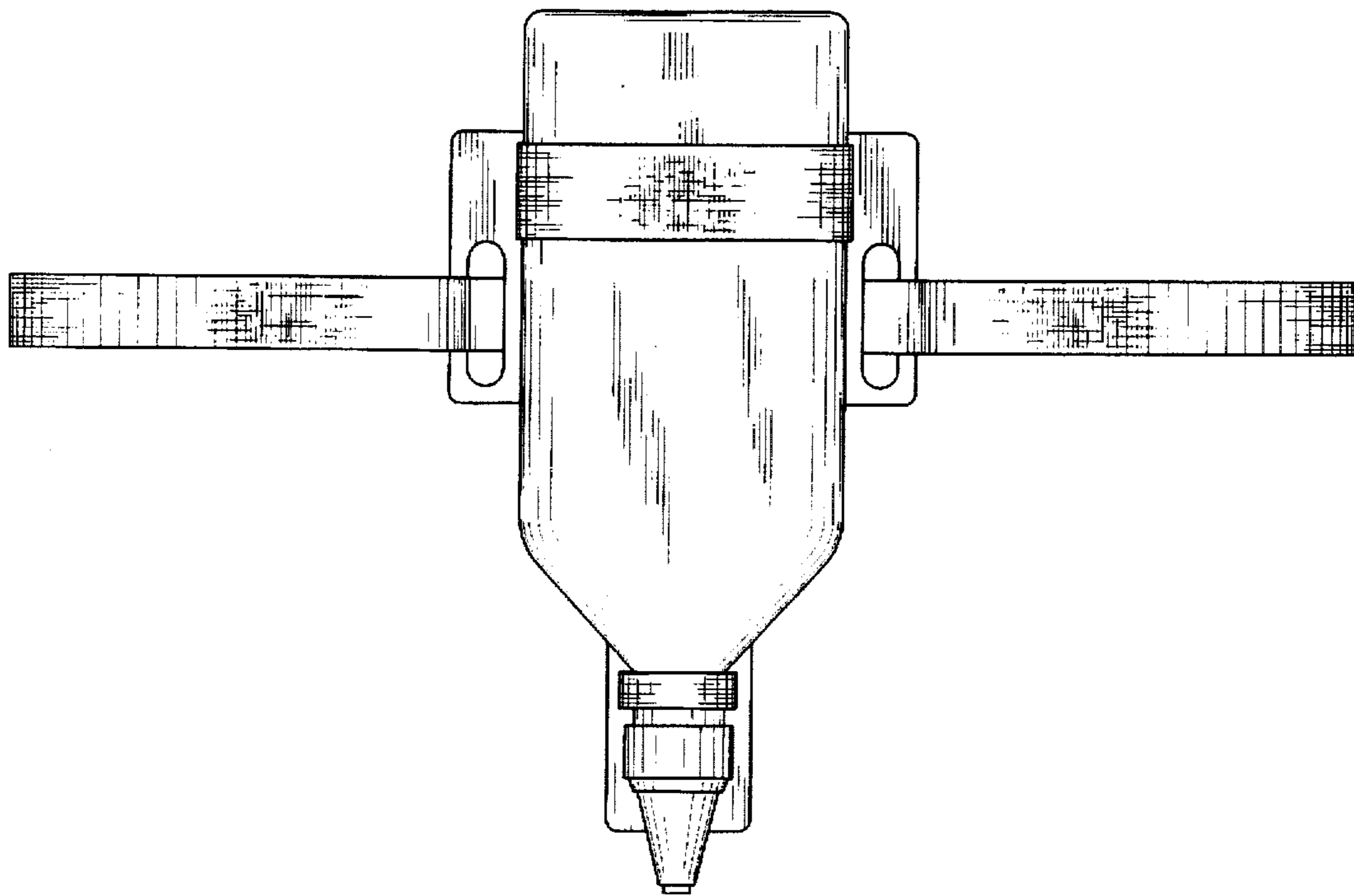


FIG. 2

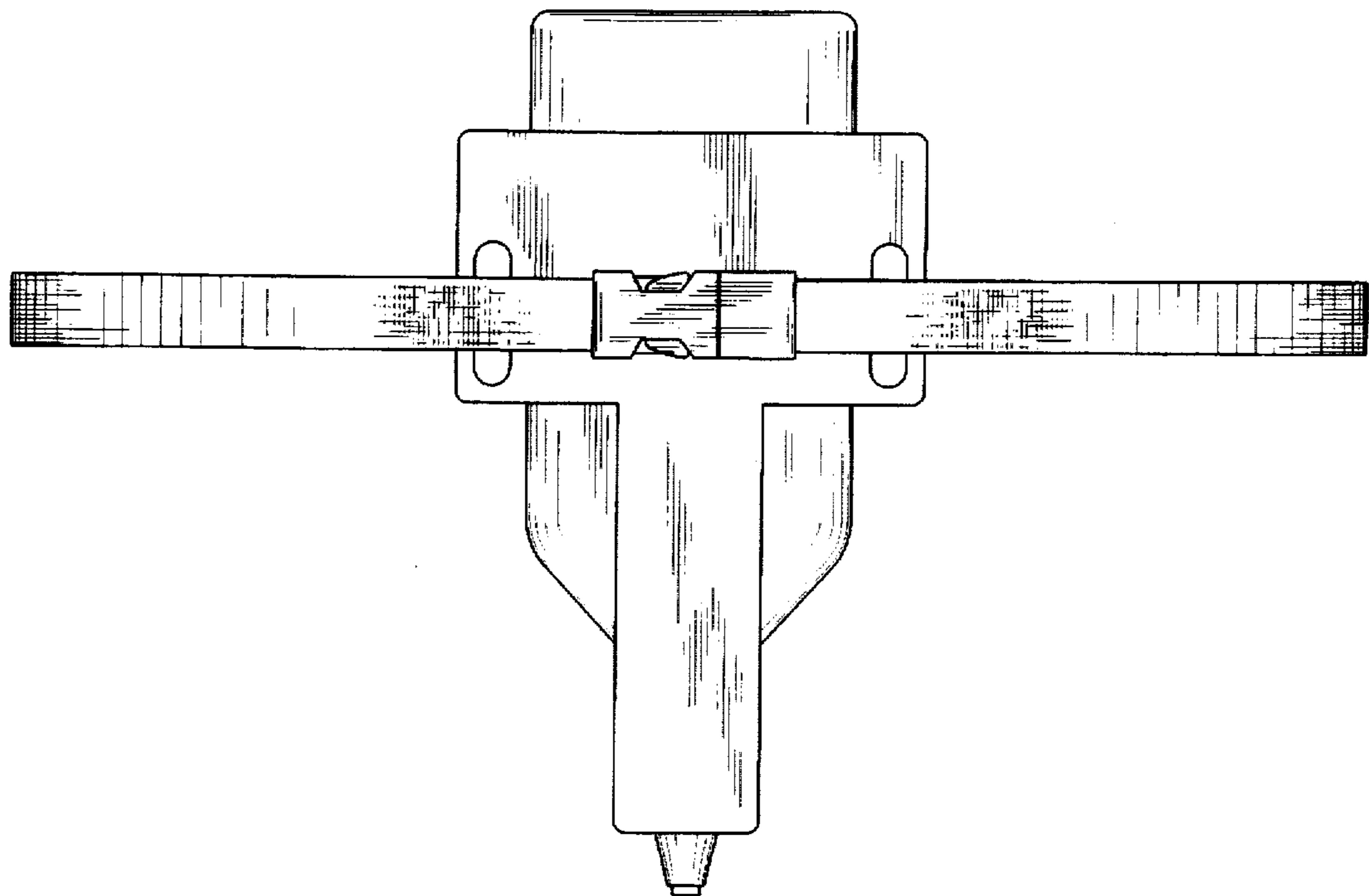


FIG. 3

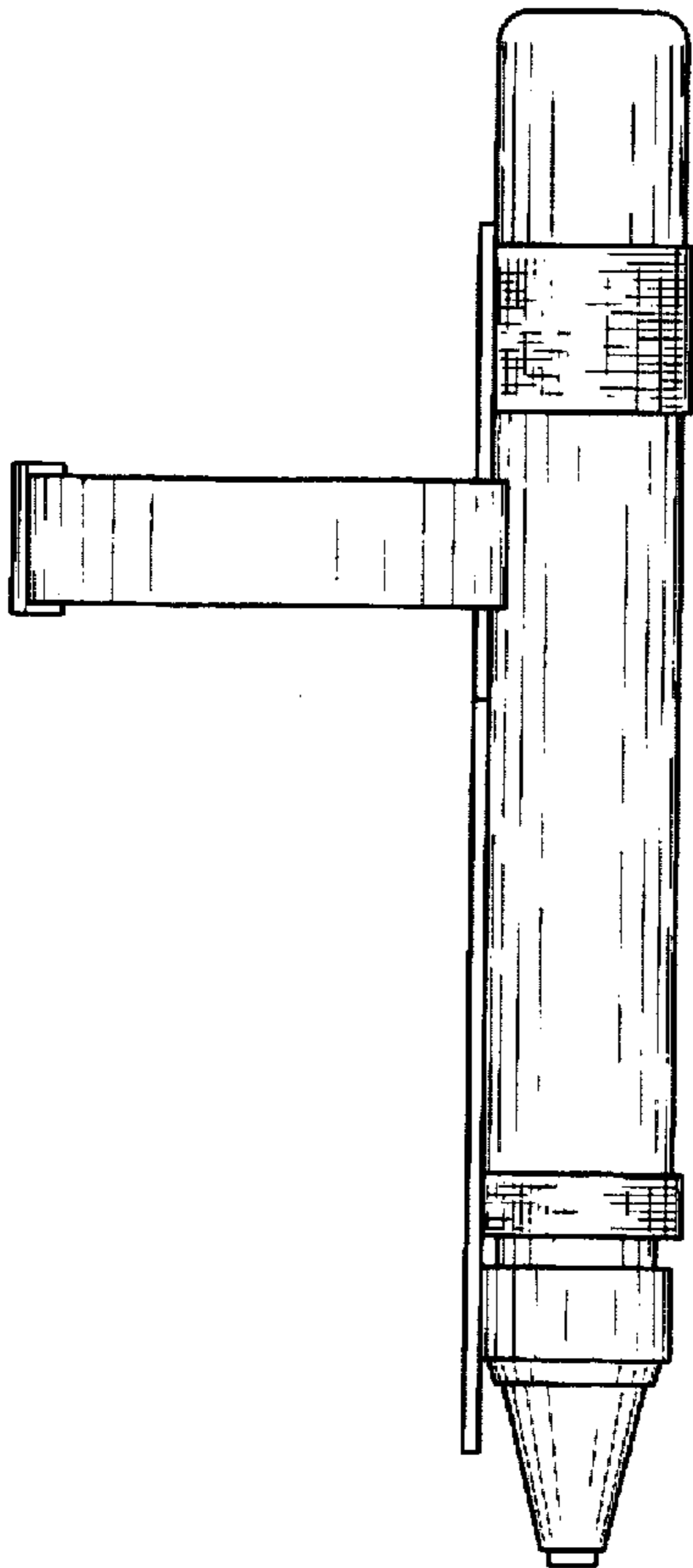


FIG. 4

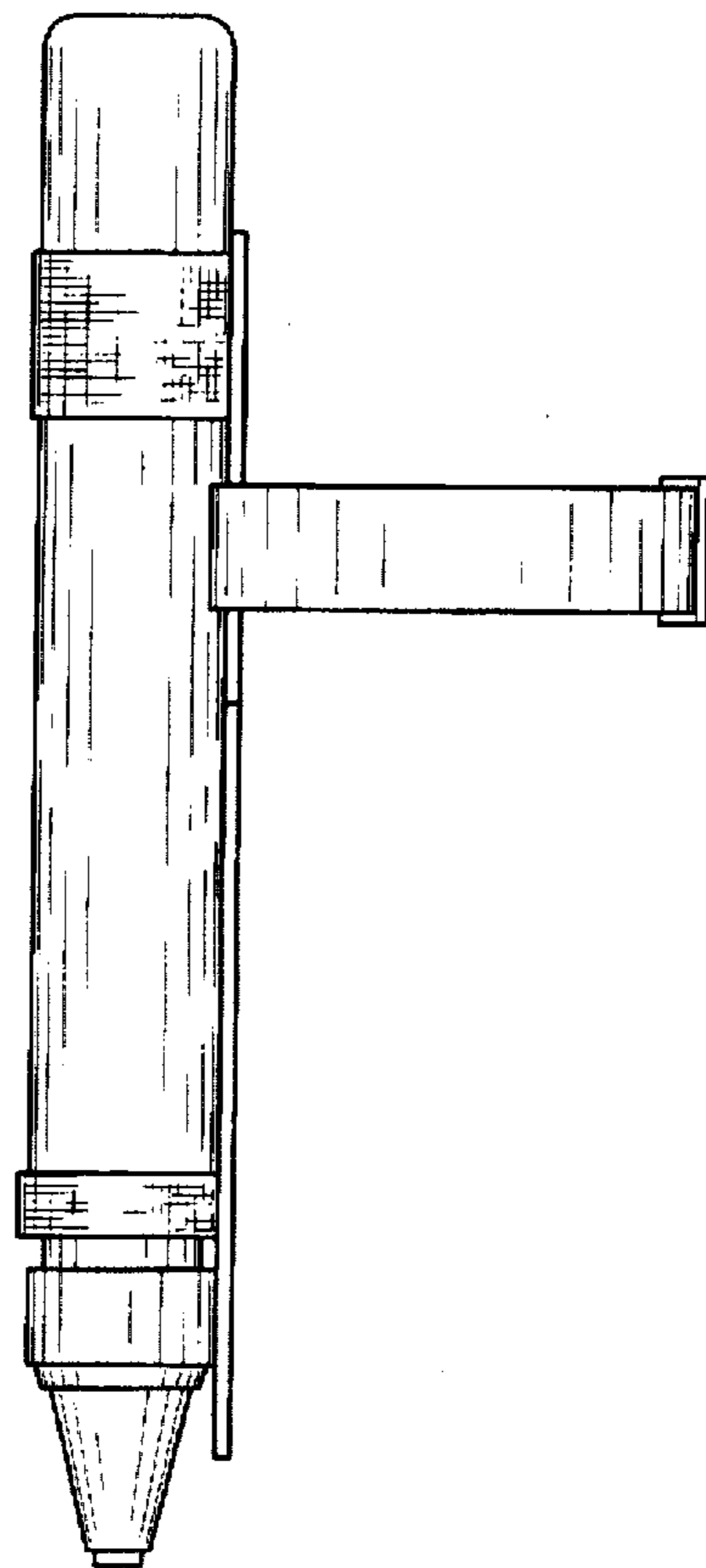


FIG. 5

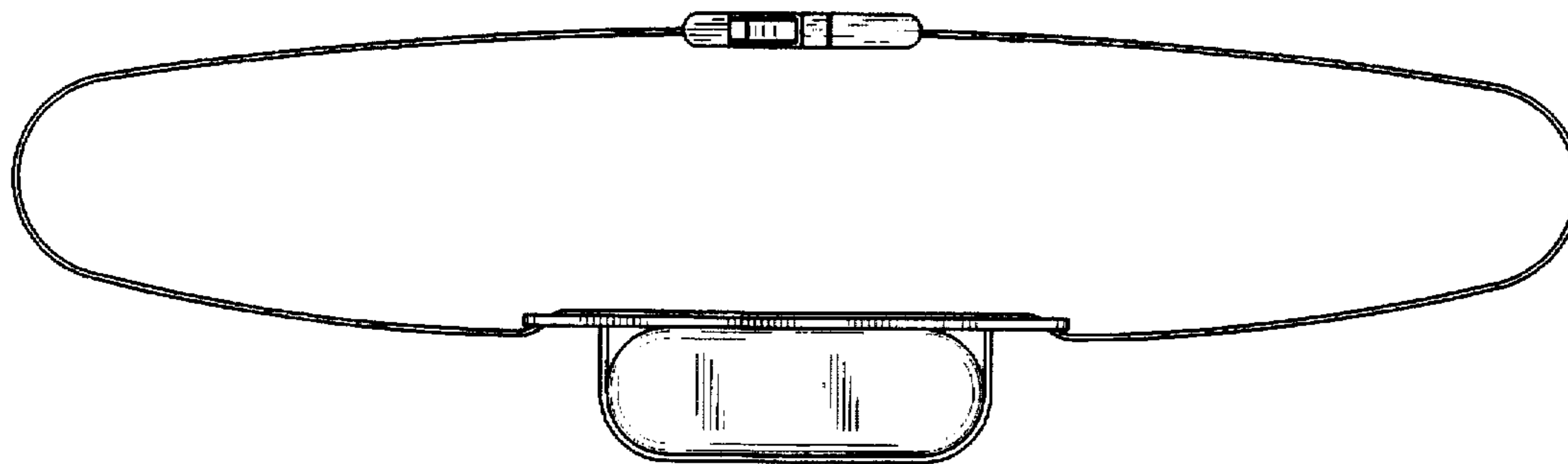


FIG. 6

