



US00D386253S

United States Patent [19] Black

[11] Patent Number: **Des. 386,253**

[45] Date of Patent: ****Nov. 11, 1997**

[54] **TOILET SEAT LIFTER**

[76] Inventor: **Clint Patrick Black**, c/o Charles Sussman, Sussman & Associates, 1222 16th Ave. South, Third Floor, Nashville, Tenn. 37212

[**] Term: **14 Years**

[21] Appl. No.: **52,268**

[22] Filed: **Mar. 27, 1996**

[51] LOC (6) CL **23-02**

[52] U.S. Cl. **D23/311; D8/307**

[58] Field of Search **D23/303, 309, D23/311; D8/307, 308; 4/246.1, 246.3, 661; D34/28**

[56] **References Cited**

U.S. PATENT DOCUMENTS

D. 325,510 4/1992 Slye D8/307
D. 329,186 9/1992 Sorensen D8/307

D. 329,187 9/1992 Sorensen D8/307
D. 363,976 11/1995 Viwpl D23/303
D. 370,722 6/1996 Lick, III D23/309

Primary Examiner—Louis S. Zarfes
Assistant Examiner—Eric Watterson
Attorney, Agent, or Firm—Abelman, Frayne & Schwab

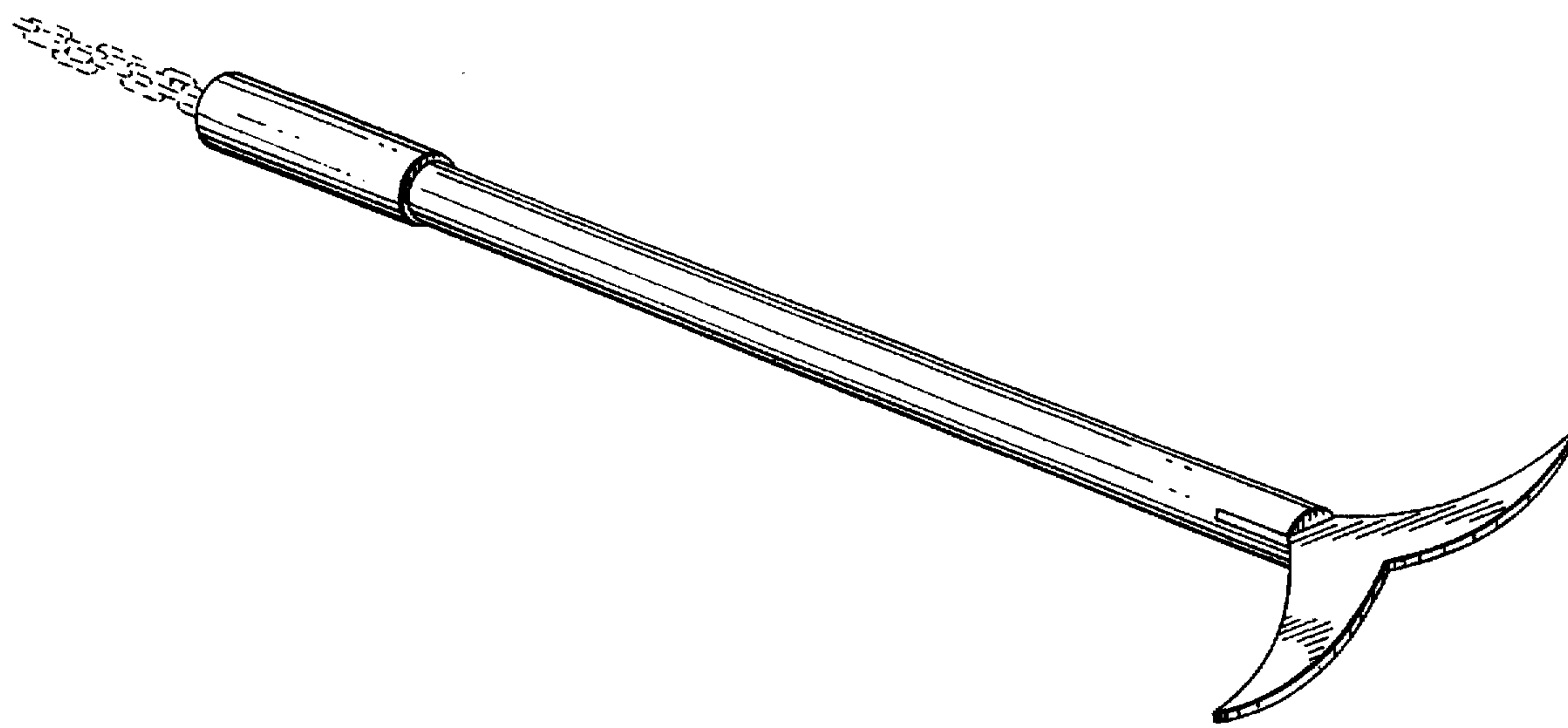
[57] **CLAIM**

The ornamental design for a toilet seat lifter, as shown and described.

DESCRIPTION

FIG. 1 is a perspective view looking down from the top, showing my new design with a portion of a connecting chain attached to the handle end being shown for environmental purposes only and forms no part of the invention; FIG. 2 is a front view thereof; FIG. 3 is a rear view thereof; FIG. 4 is a side view thereof; and, FIG. 5 is a top view thereof.

1 Claim, 2 Drawing Sheets



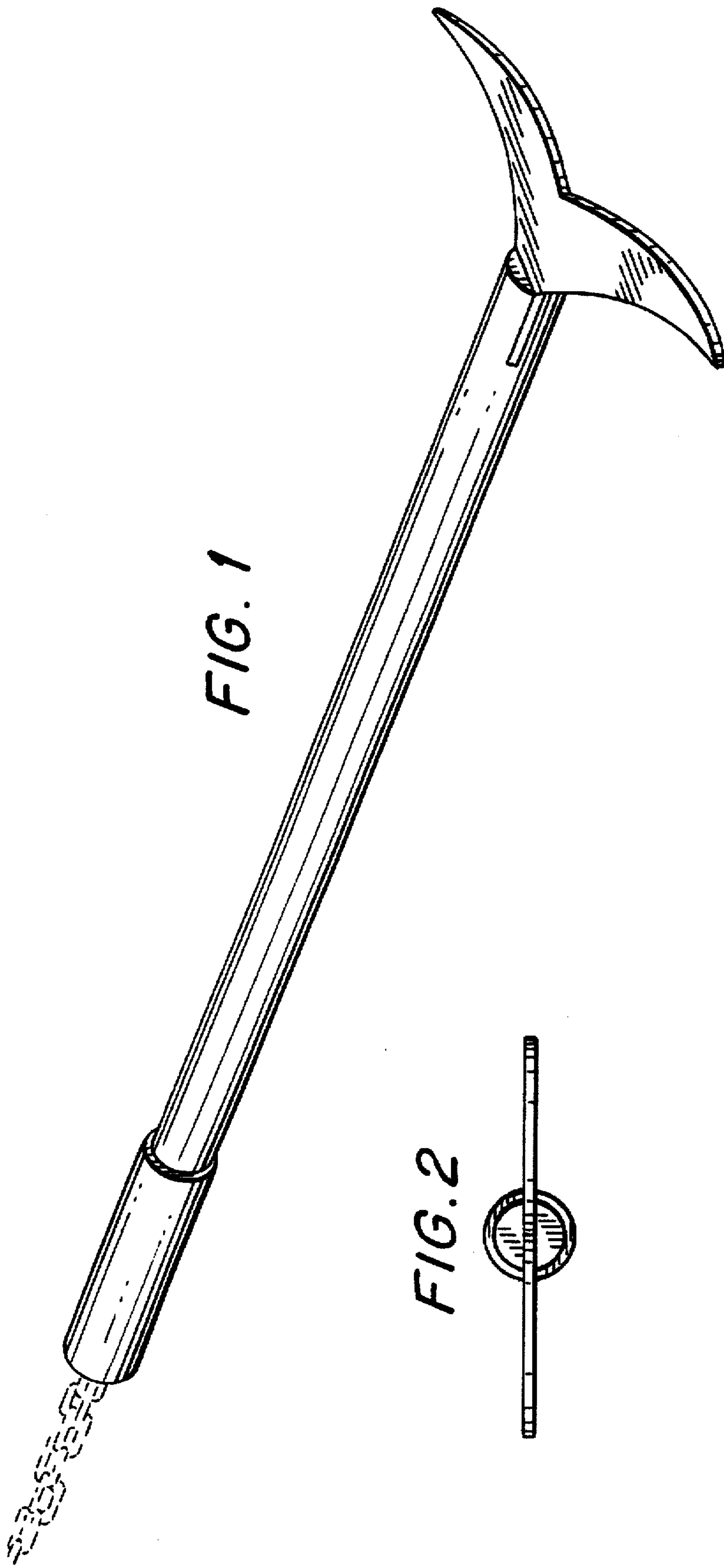


FIG. 1

FIG. 2



FIG. 3



FIG. 4

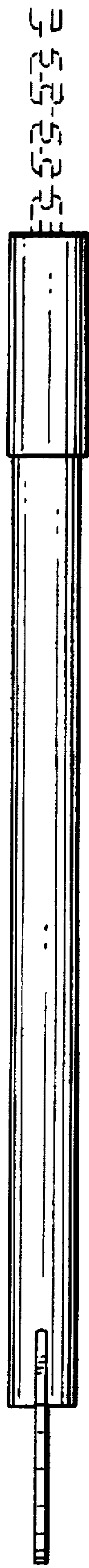


FIG. 5

