



US00D386251S

United States Patent [19]

Laguera Garza

[11] Patent Number: Des. 386,251

[45] Date of Patent: **Nov. 11, 1997

[54] TOILET

[75] Inventor: **Marcelo Garza Laguera Garza,**
Irapuato, Mexico

[73] Assignee: **Procesadora de Ceramica de Mexico,**
S.A. de C.V., Mexico

[**] Term: **14 Years**

[21] Appl. No.: **58,465**

[22] Filed: **Aug. 15, 1996**

[30] **Foreign Application Priority Data**

Feb. 15, 1996 [MX] Mexico 96128

[51] LOC (6) Cl. **23-02**

[52] U.S. Cl. **D23/301**

[58] Field of Search D23/295, 299,
D23/301; 4/328, 329, 353, 421, 424, 349,
430

[56] **References Cited**

U.S. PATENT DOCUMENTS

D. 101,535 10/1936 Karstadt D23/301

D. 271,326 11/1983 Doman et al. D23/301
D. 315,017 2/1991 Lenclos D23/301
D. 346,854 5/1994 Reid D23/301
D. 353,450 12/1994 Anderson et al. D23/301

Primary Examiner—Stella Reid
Assistant Examiner—E. Watterson
Attorney, Agent, or Firm—Pravel, Hewitt, Kimball &
Krieger

[57] **CLAIM**

The ornamental design for a toilet, as shown.

DESCRIPTION

FIG. 1 is an isometric view showing the ornamental design for a toilet according to the present invention;
FIG. 2 is a top plan view of the toilet of FIG. 1;
FIG. 3 is a front elevation view of the toilet of FIG. 1;
FIG. 4 is a left side elevation view of the toilet of FIG. 1;
FIG. 5 is a right side elevation view of the toilet of FIG. 1;
FIG. 6 is a bottom view of the toilet of FIG. 1; and,
FIG. 7 is a rear elevation view of the toilet of FIG. 1.

1 Claim, 2 Drawing Sheets

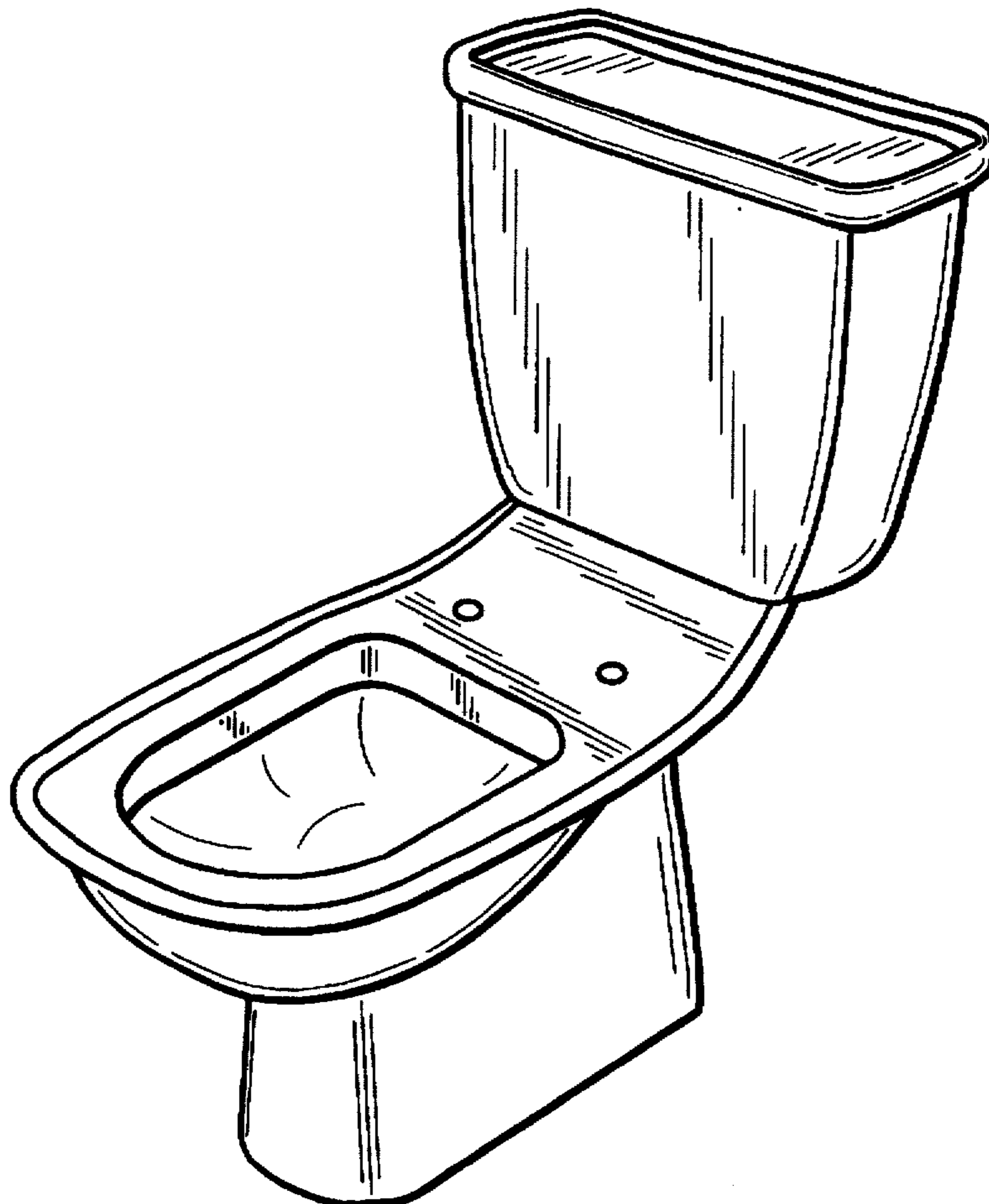


FIG. 1

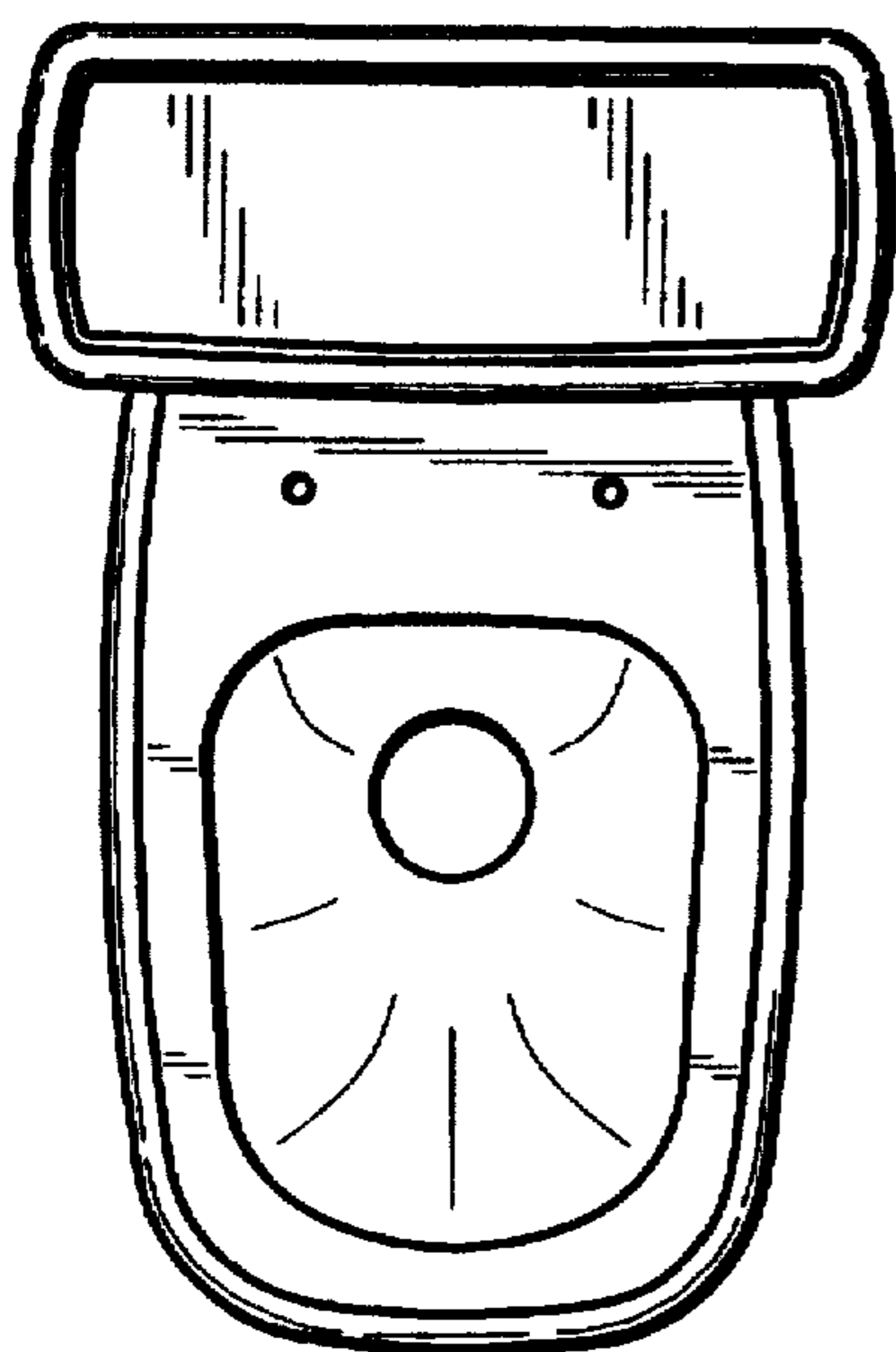
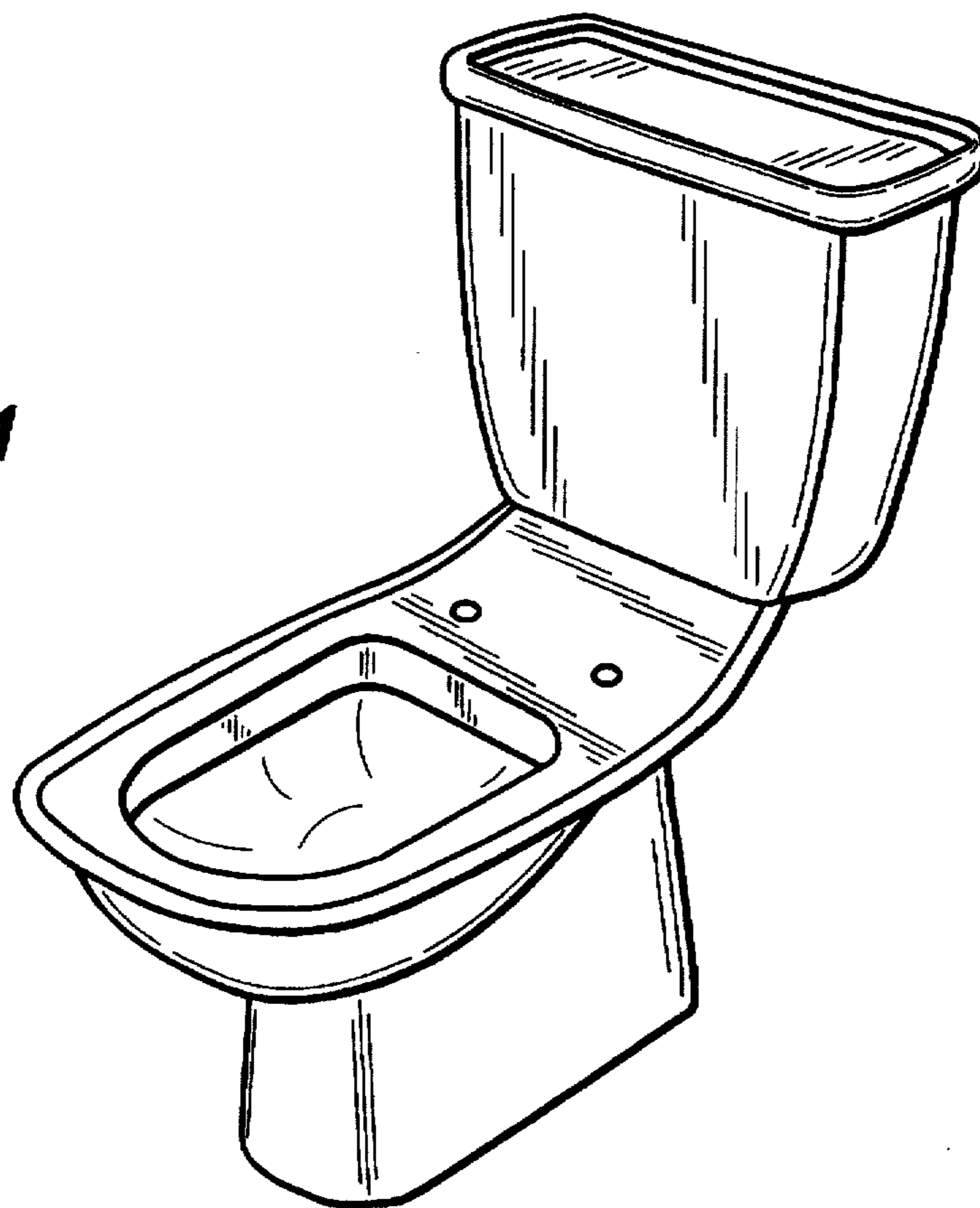


FIG. 2

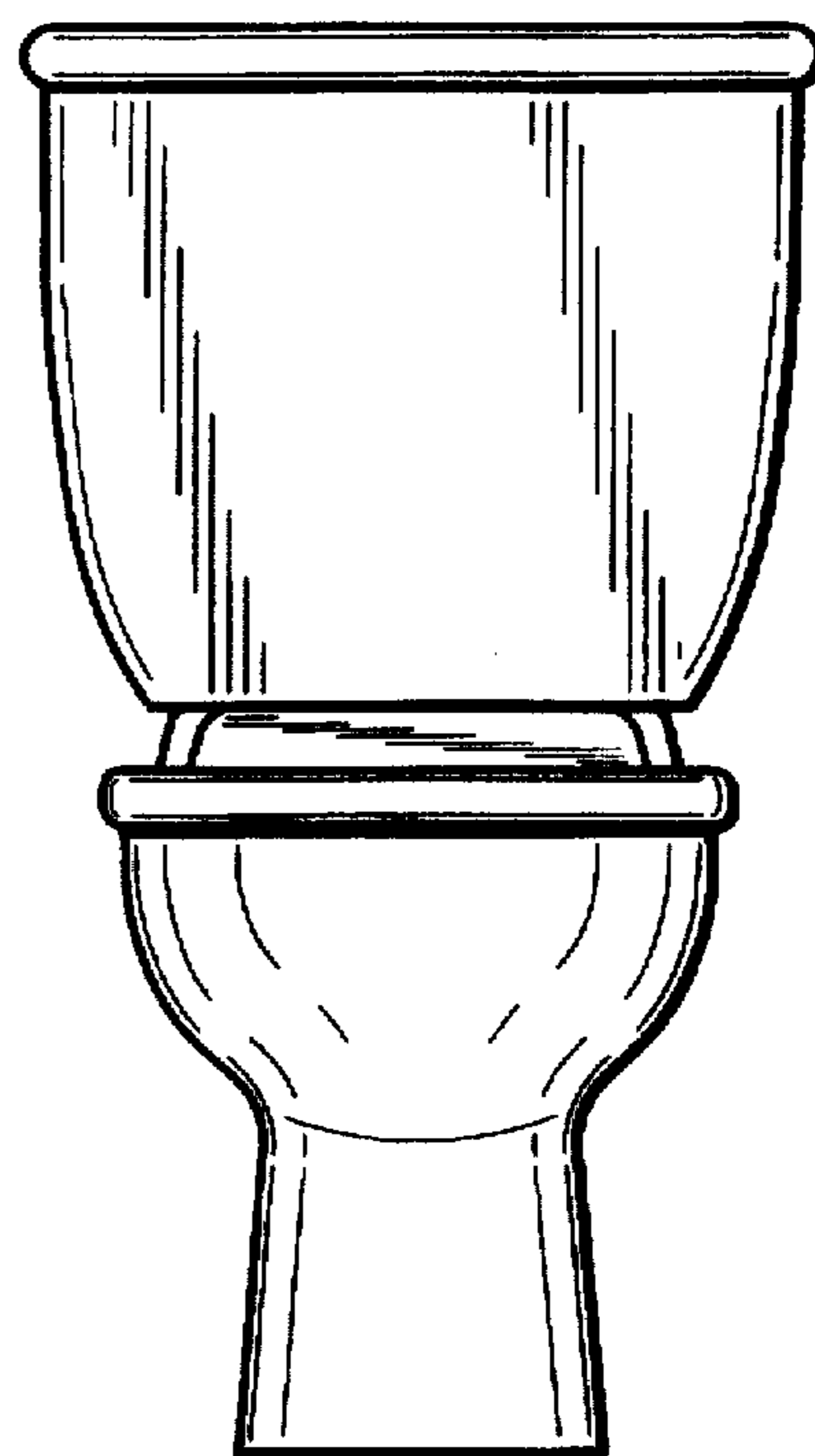


FIG. 3

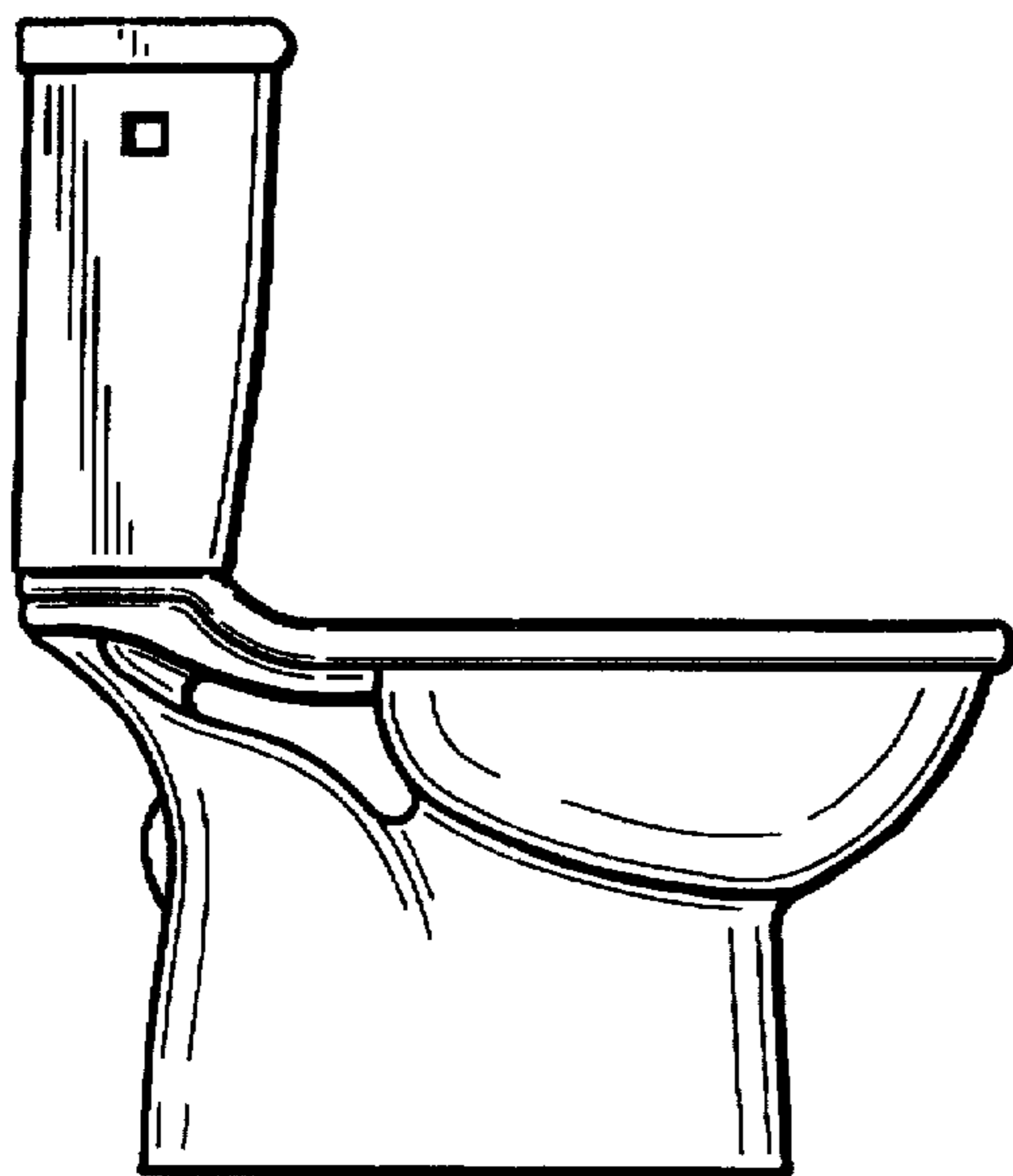


FIG. 4

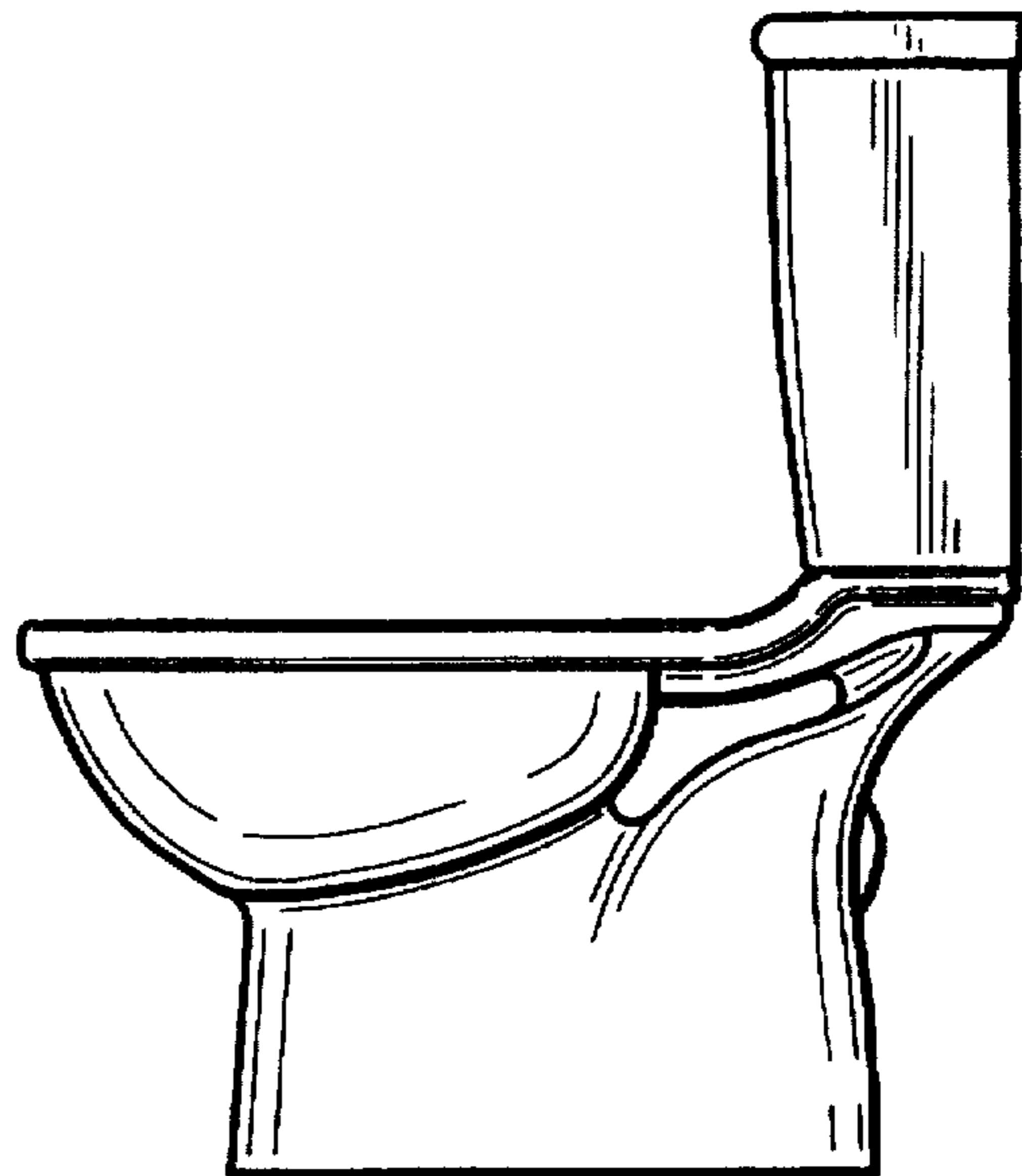


FIG. 5

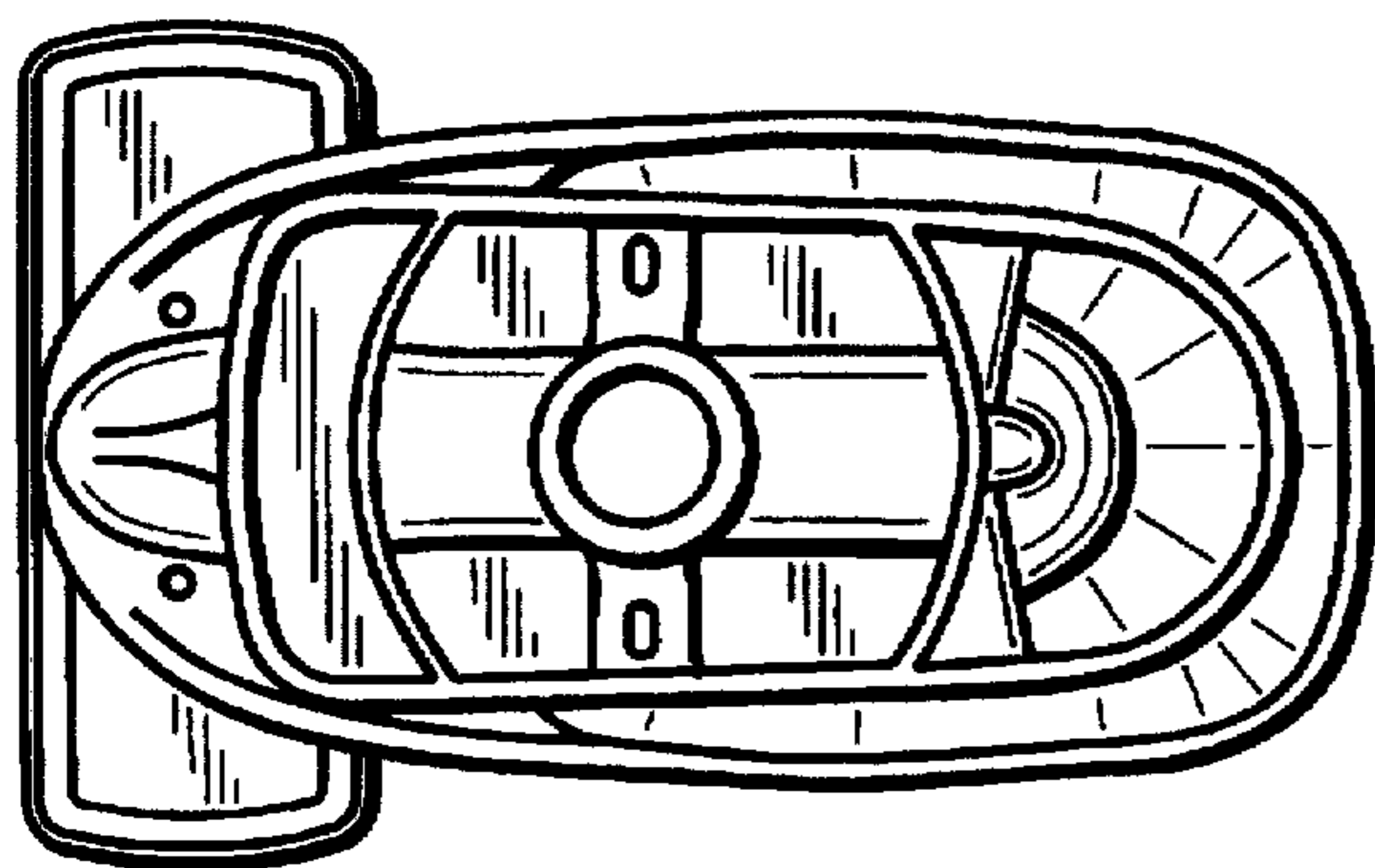


FIG. 6

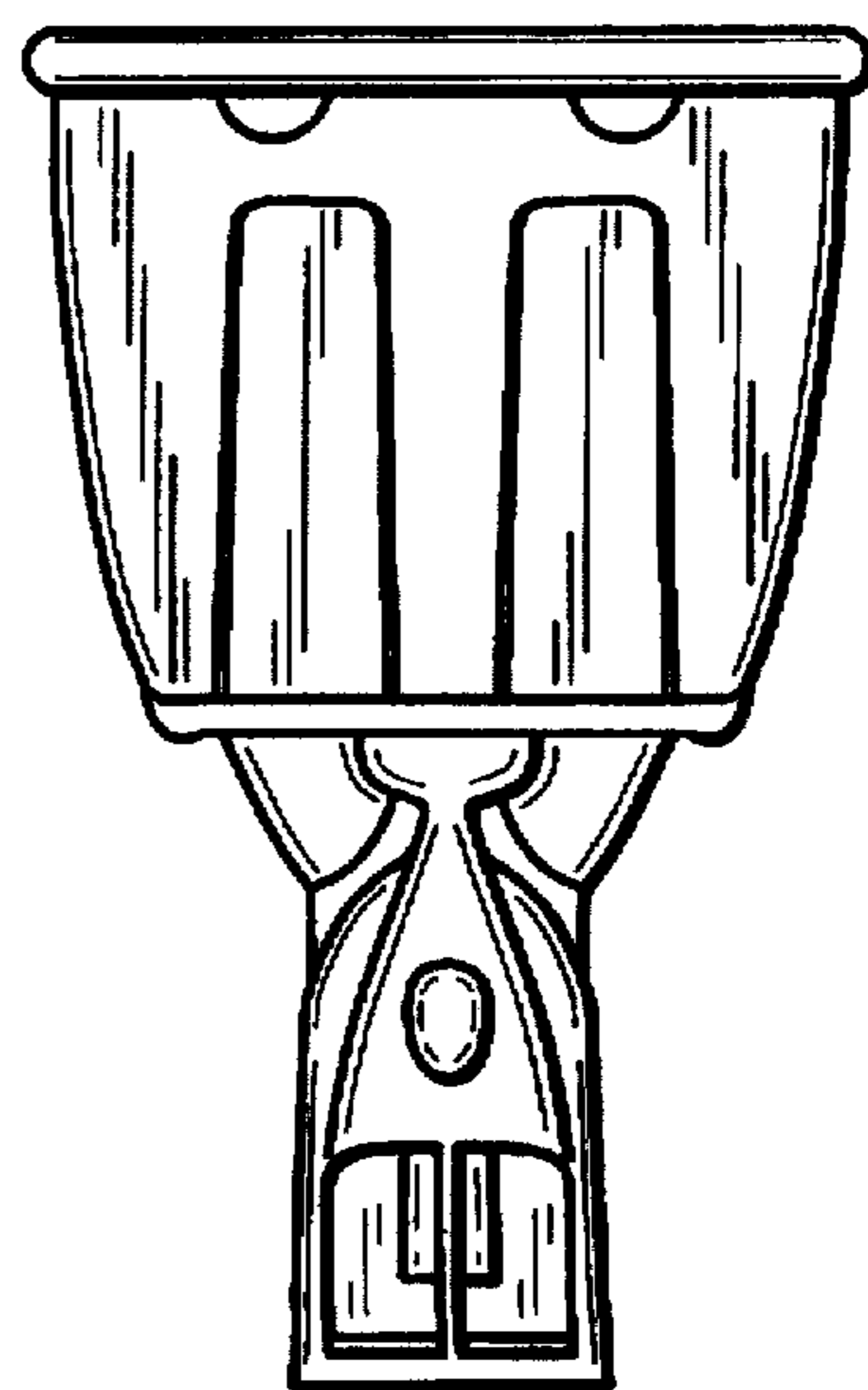


FIG. 7