



US00D386250S

United States Patent [19]
Garza

[11] **Patent Number: Des. 386,250**
[45] **Date of Patent: **Nov. 11, 1997**

[54] **TOILET**

[75] **Inventor: Marcelo Garza Laguera Garza,**
Irapuato, Mexico

[73] **Assignee: Procesadora de Ceramica de Mexico,**
S.A. de C.V., Mexico

[**] **Term: 14 Years**

[21] **Appl. No.: 58,469**

[22] **Filed: Aug. 15, 1996**

[30] **Foreign Application Priority Data**

Feb. 15, 1996 [MX] Mexico 96133

[51] **LOC (6) Cl. 23-02**

[52] **U.S. Cl. D23/301**

[58] **Field of Search D23/295, 299,**
D23/301; 4/328, 329, 353, 421, 424, 349,
430

[56] **References Cited**

U.S. PATENT DOCUMENTS

D. 101,534 10/1936 Karstadt D23/301

D. 352,996 11/1994 Lin D23/301
D. 353,229 12/1994 Trigoboff et al. D23/301 X
D. 370,720 6/1996 Kaiser D23/301

Primary Examiner—Stella Reid
Assistant Examiner—E. Watterson
Attorney, Agent, or Firm—Pravel, Hewitt, Kimball & Krieger

[57] **CLAIM**

The ornamental design for a toilet, as shown.

DESCRIPTION

FIG. 1 is an isometric view showing the ornamental design for a toilet according to the present invention;
FIG. 2 is a top plan view of the toilet of FIG. 1;
FIG. 3 is a front elevational view of the toilet of FIG. 1;
FIG. 4 is a left side elevational view of the toilet of FIG. 1;
FIG. 5 is a right side elevation view of the toilet of FIG. 1;
FIG. 6 is a bottom view of the toilet of FIG. 1; and,
FIG. 7 is a rear elevation view of the toilet of FIG. 1.

1 Claim, 2 Drawing Sheets

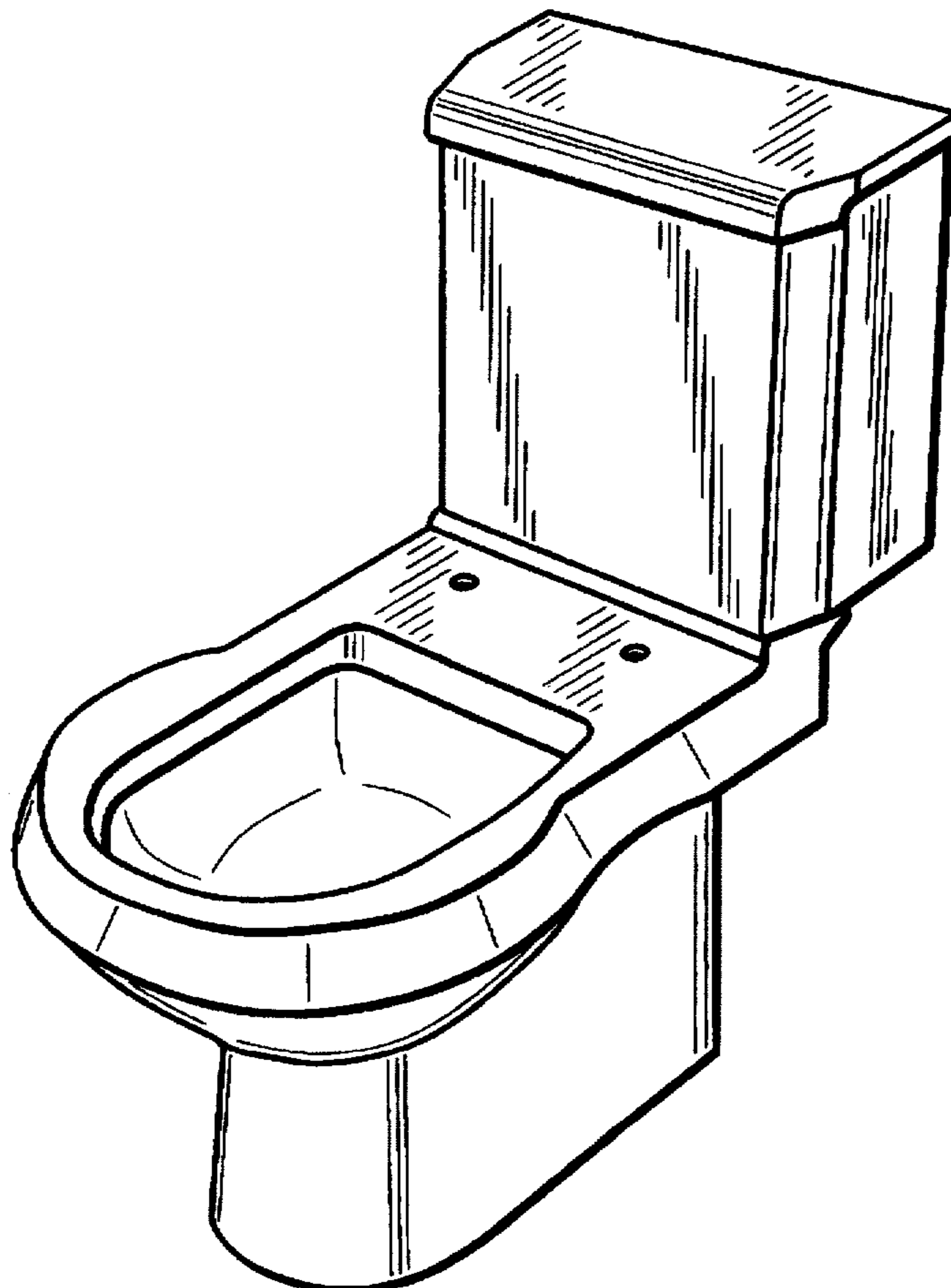


FIG. 1

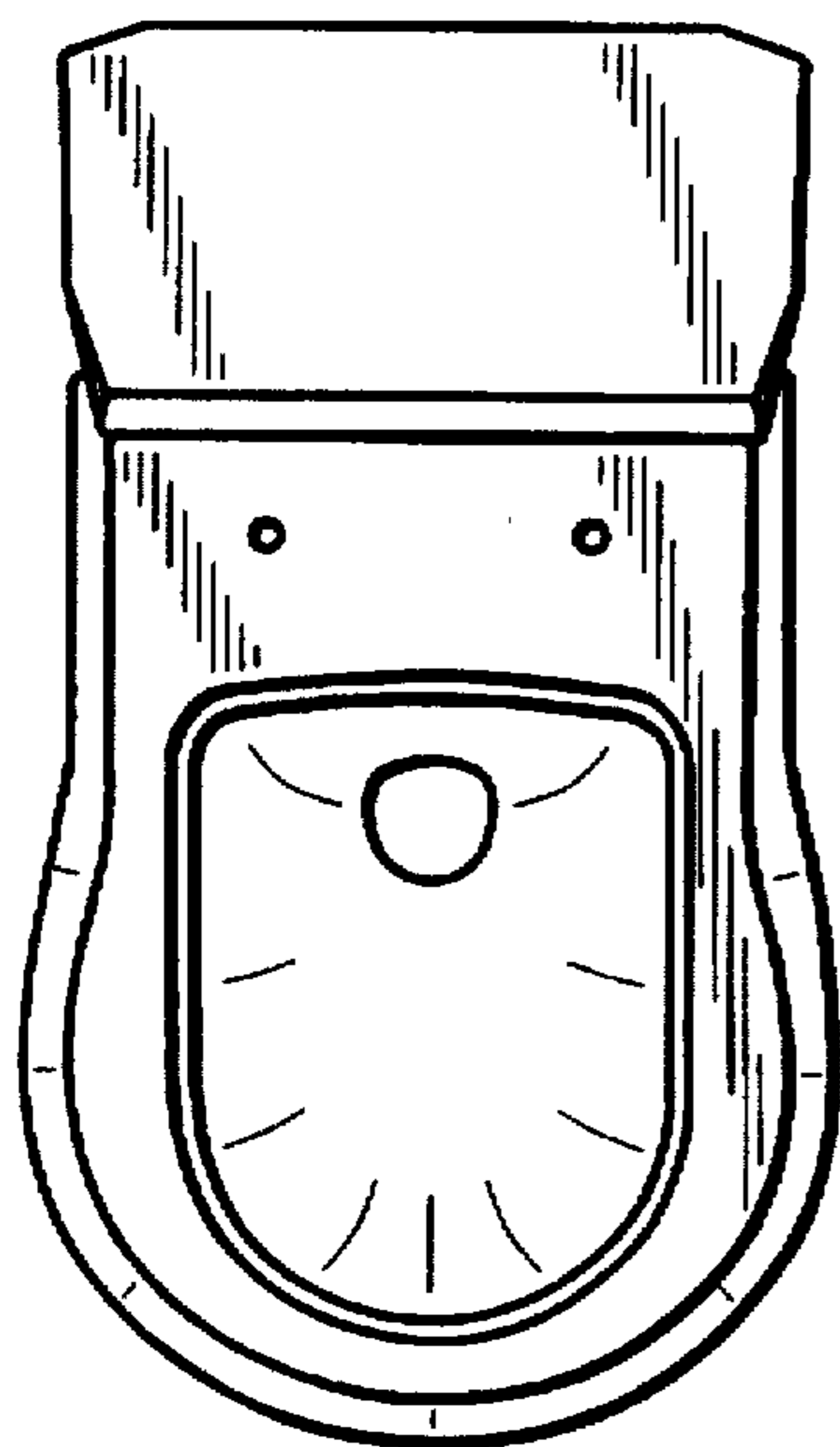
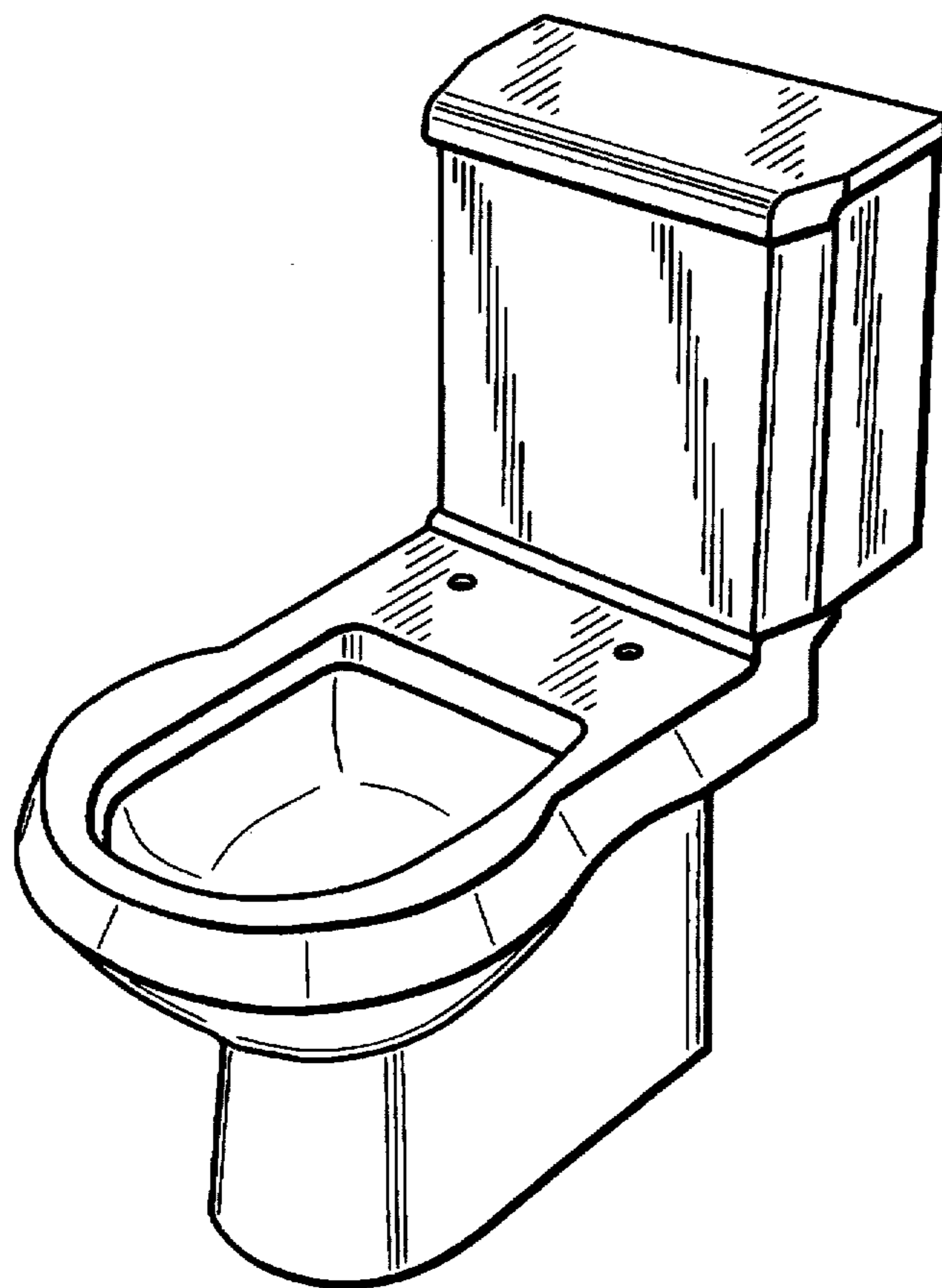


FIG. 2

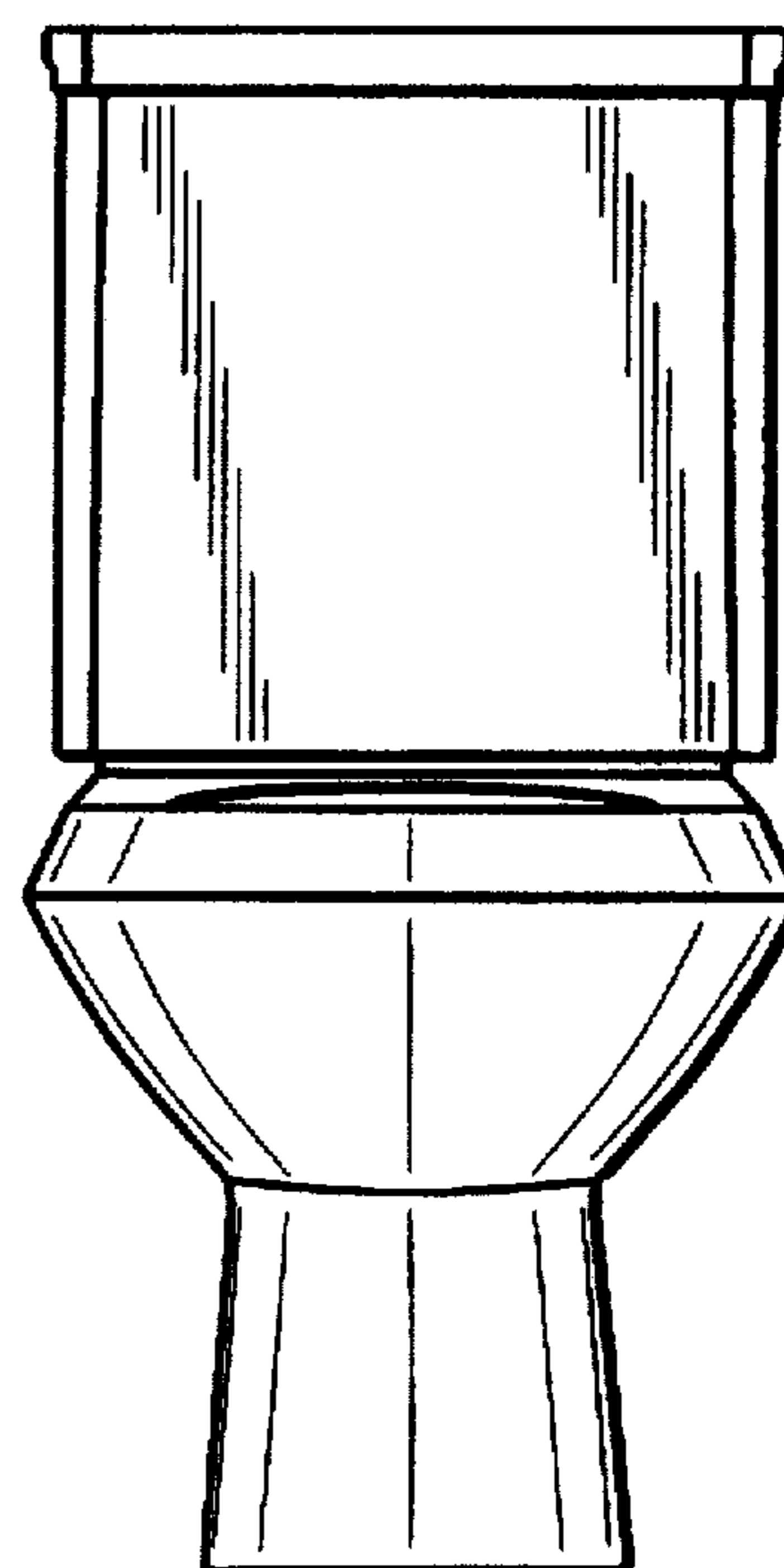


FIG. 3

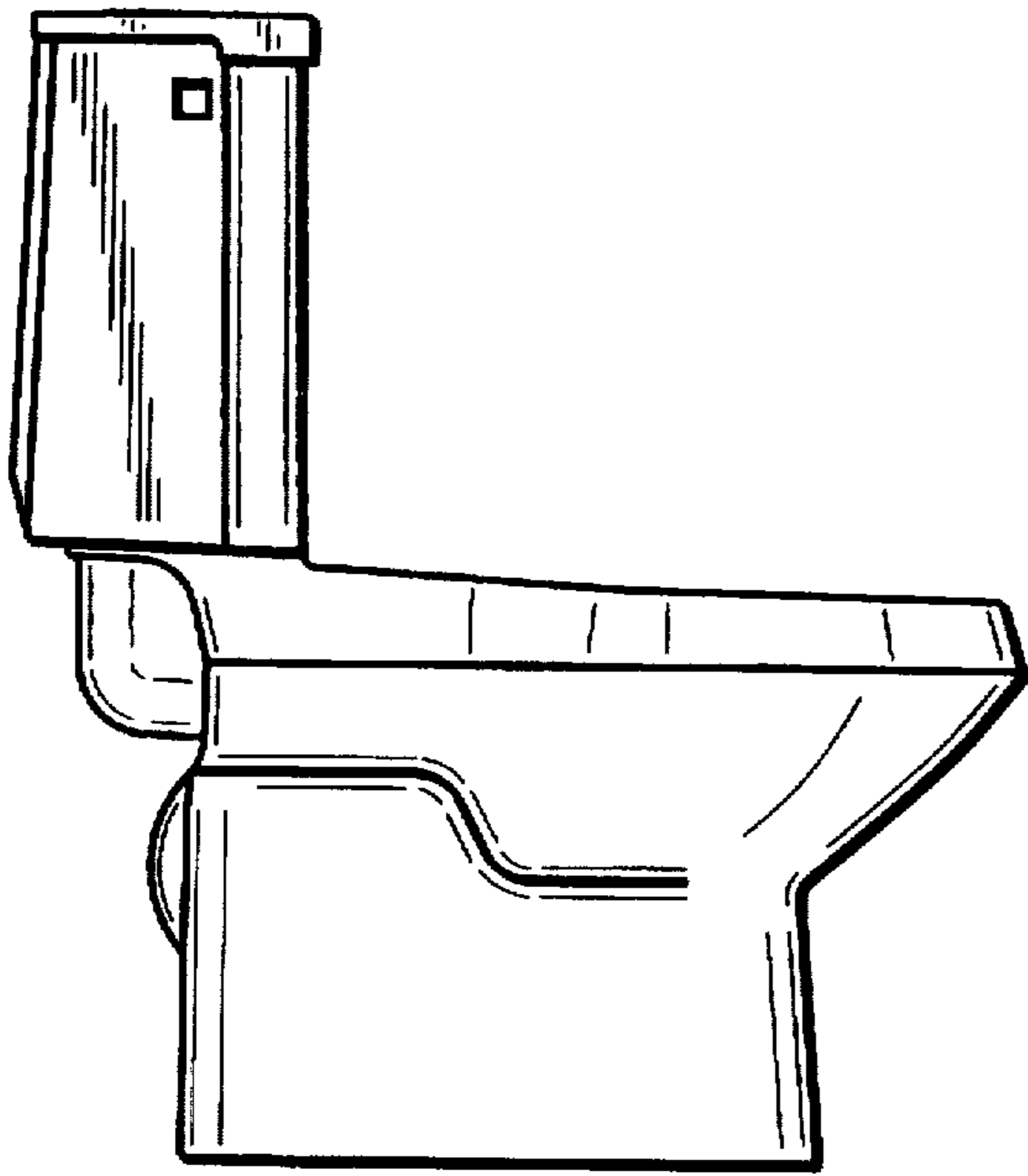


FIG. 4

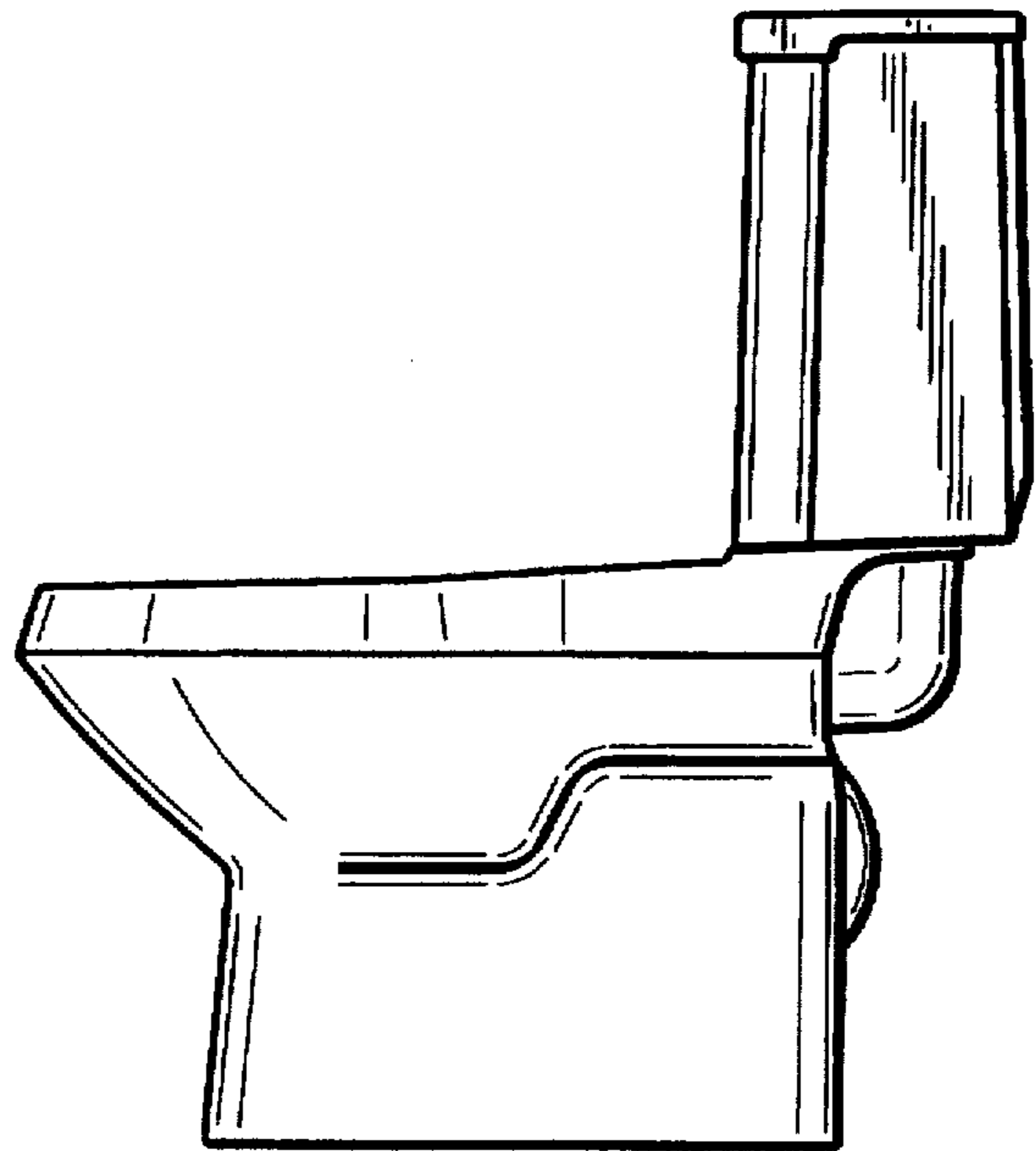


FIG. 5

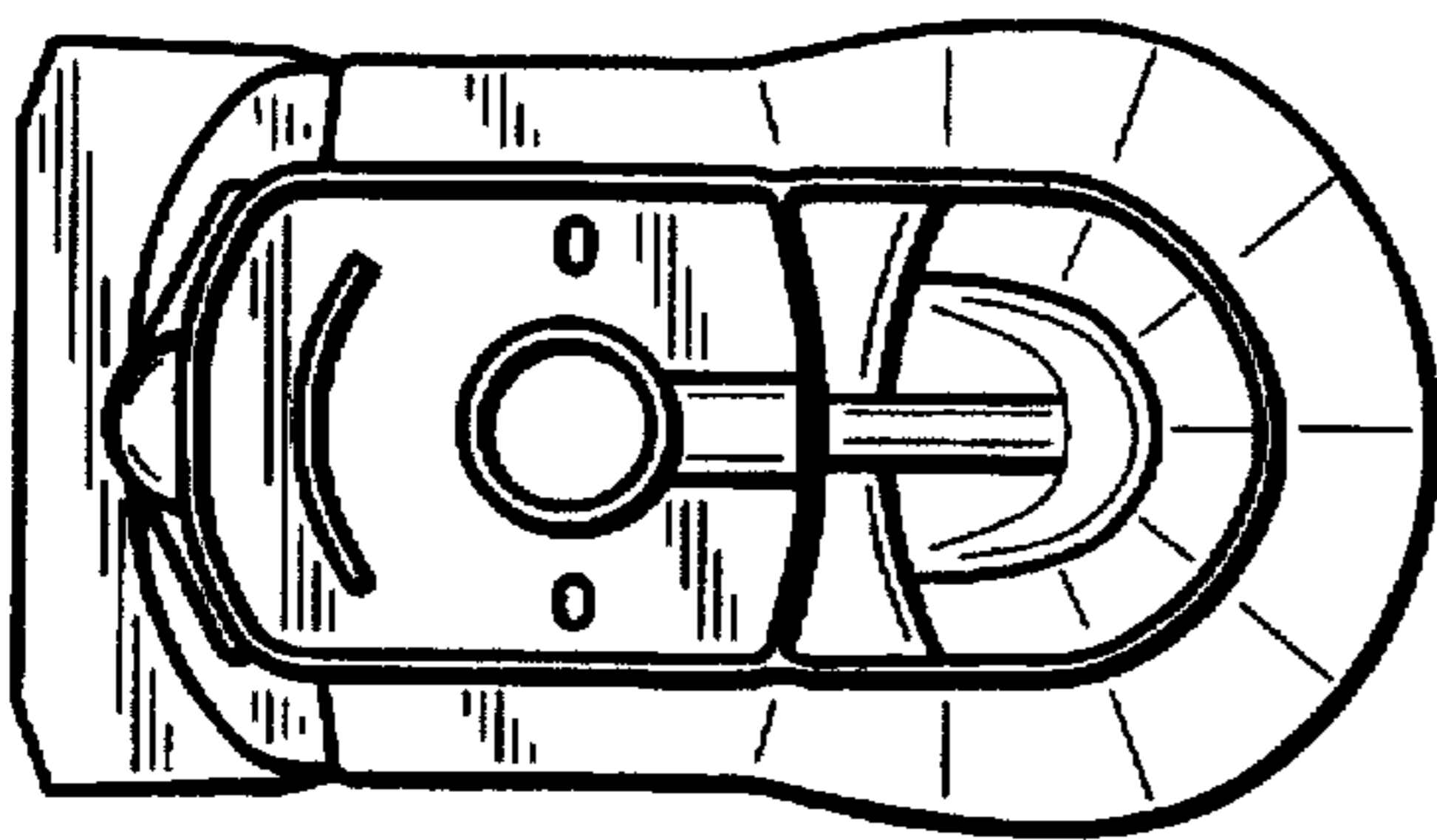


FIG. 6

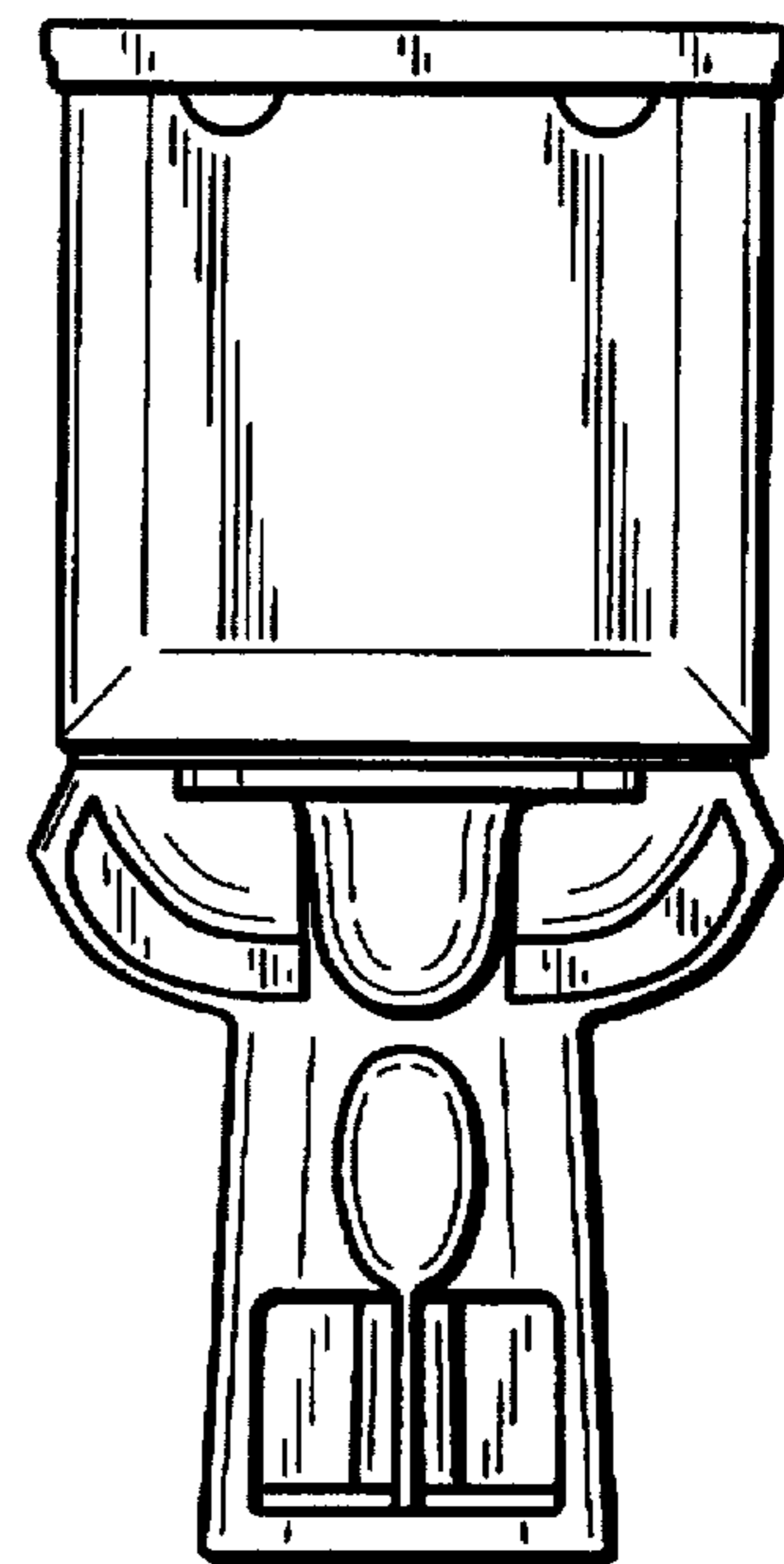


FIG. 7