



US00D386249S

United States Patent [19]

Laguera Garza

[11] Patent Number: Des. 386,249

[45] Date of Patent: **Nov. 11, 1997

[54] PEDESTAL LAVATORY

[75] Inventor: **Marcelo Garza Laguera Garza,**
Irapuato, Mexico

[73] Assignee: **Procesadora De Ceramica De Mexico,**
S.A. De C.V., Mexico

[**] Term: 14 Years

[21] Appl. No.: 58,462

[22] Filed: Aug. 15, 1996

[30] Foreign Application Priority Data

Feb. 15, 1996 [MX] Mexico 96131

[51] LOC (6) Cl. 23-02

[52] U.S. Cl. D23/292

[58] Field of Search D23/302, 308,
D23/309, 307, 310; 4/612, 613, 614, 663,
664

[56] References Cited

U.S. PATENT DOCUMENTS

- D. 293,930 1/1988 Reid D23/292
- D. 295,071 4/1988 Konler, Jr. et al. D23/292

- D. 318,909 8/1991 Lenclos D23/292
- D. 325,626 4/1992 Rogonot D23/292
- D. 355,024 1/1995 Kawamura et al. D23/292

Primary Examiner—Stella Reid
Assistant Examiner—Eric Watterson
Attorney, Agent, or Firm—Pravel, Hewitt, Kimball & Krieger

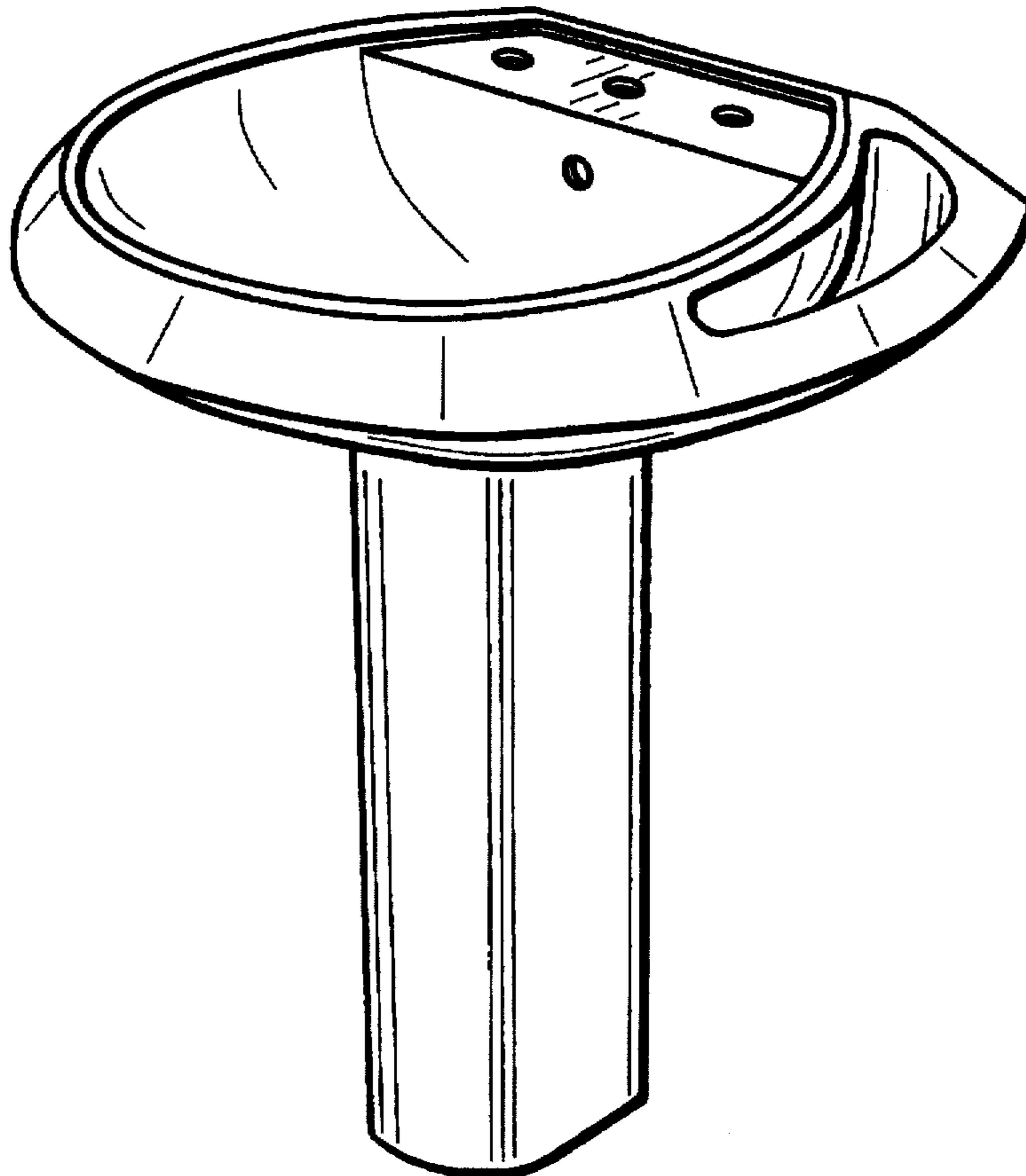
[57] CLAIM

The ornamental design for a pedestal lavatory, as shown.

DESCRIPTION

FIG. 1 is a isometric view of a pedestal lavatory, showing my new design;
FIG. 2 is a top plan view of a pedestal lavatory of FIG. 1;
FIG. 3 is a front elevation view of a pedestal lavatory of FIG. 1;
FIG. 4 is a left side elevation view of a pedestal lavatory of FIG. 1;
FIG. 5 is a right side elevation view of a pedestal lavatory of FIG. 1;
FIG. 6 is a bottom view of a pedestal lavatory of FIG. 1; and,
FIG. 7 is a rear elevation view of the a pedestal lavatory of FIG. 1.

1 Claim, 2 Drawing Sheets



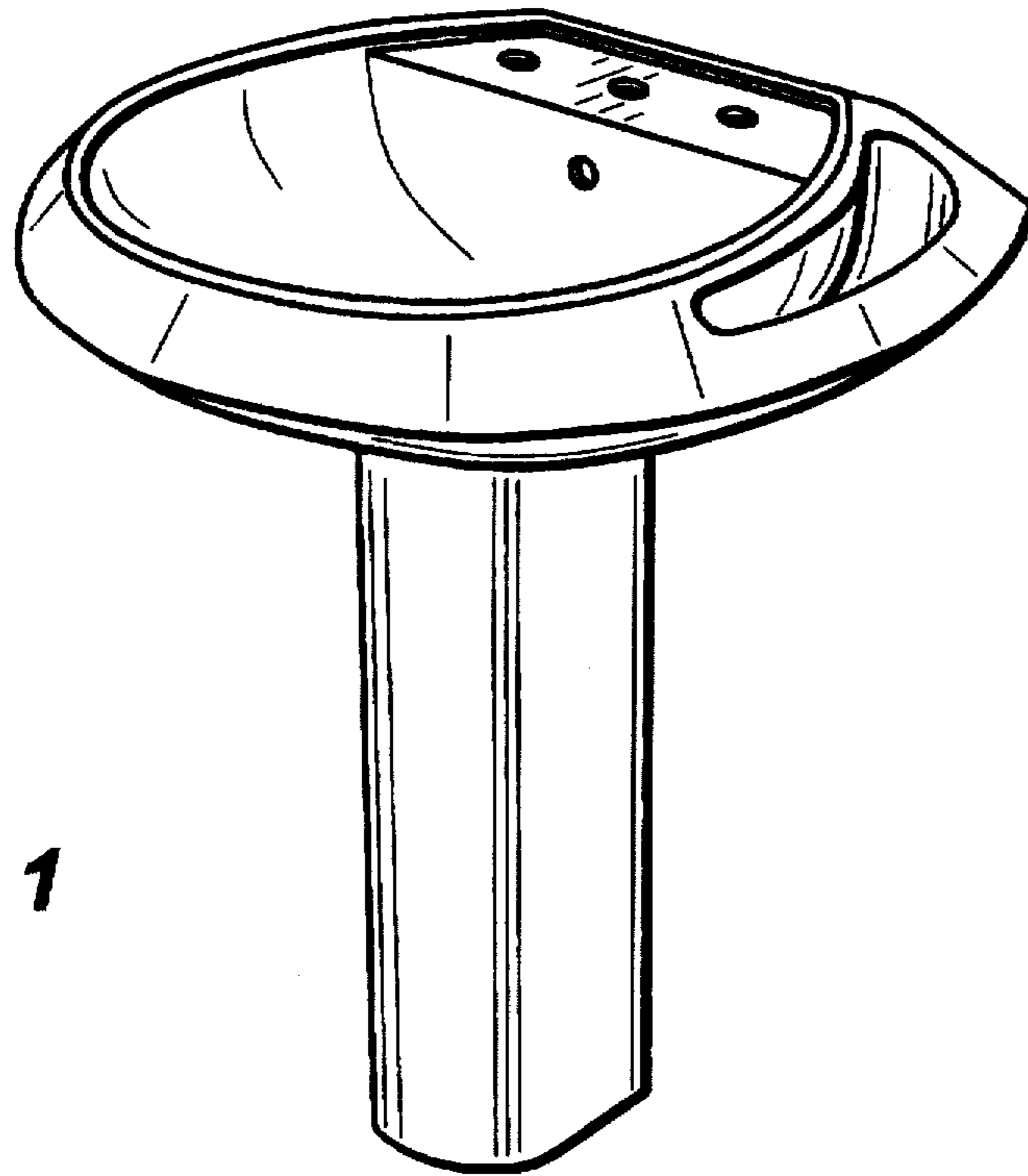


FIG. 1

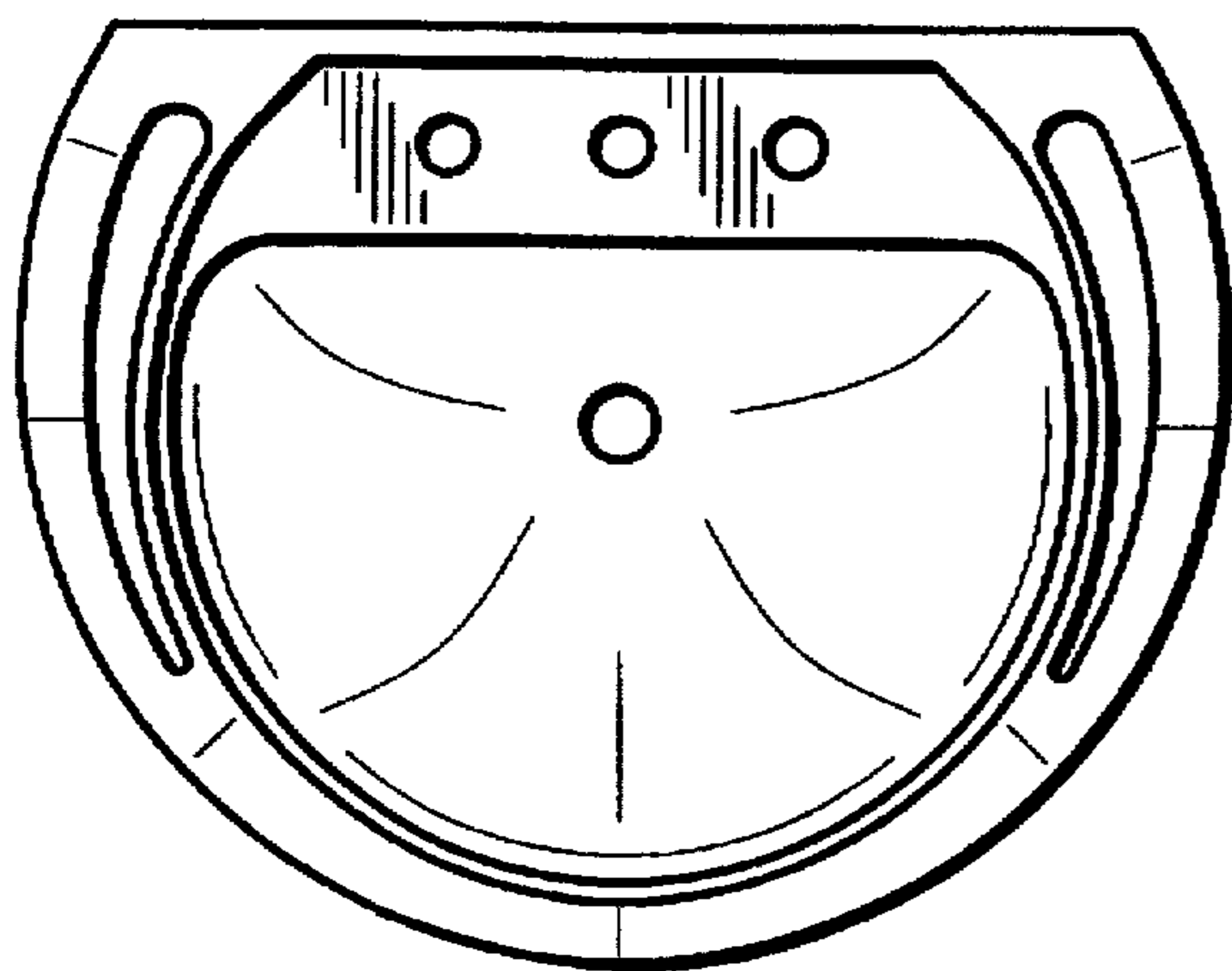


FIG. 2

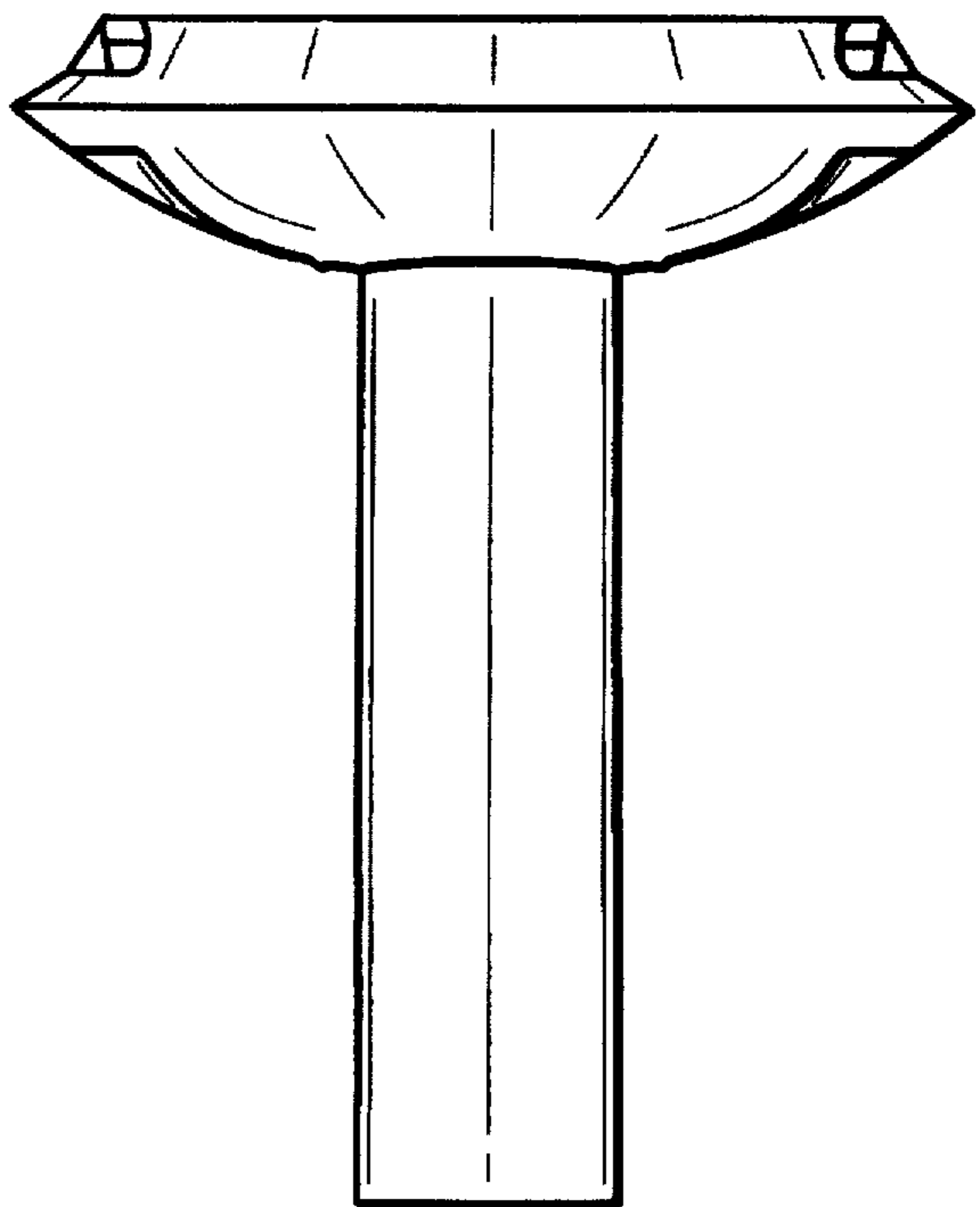


FIG. 3

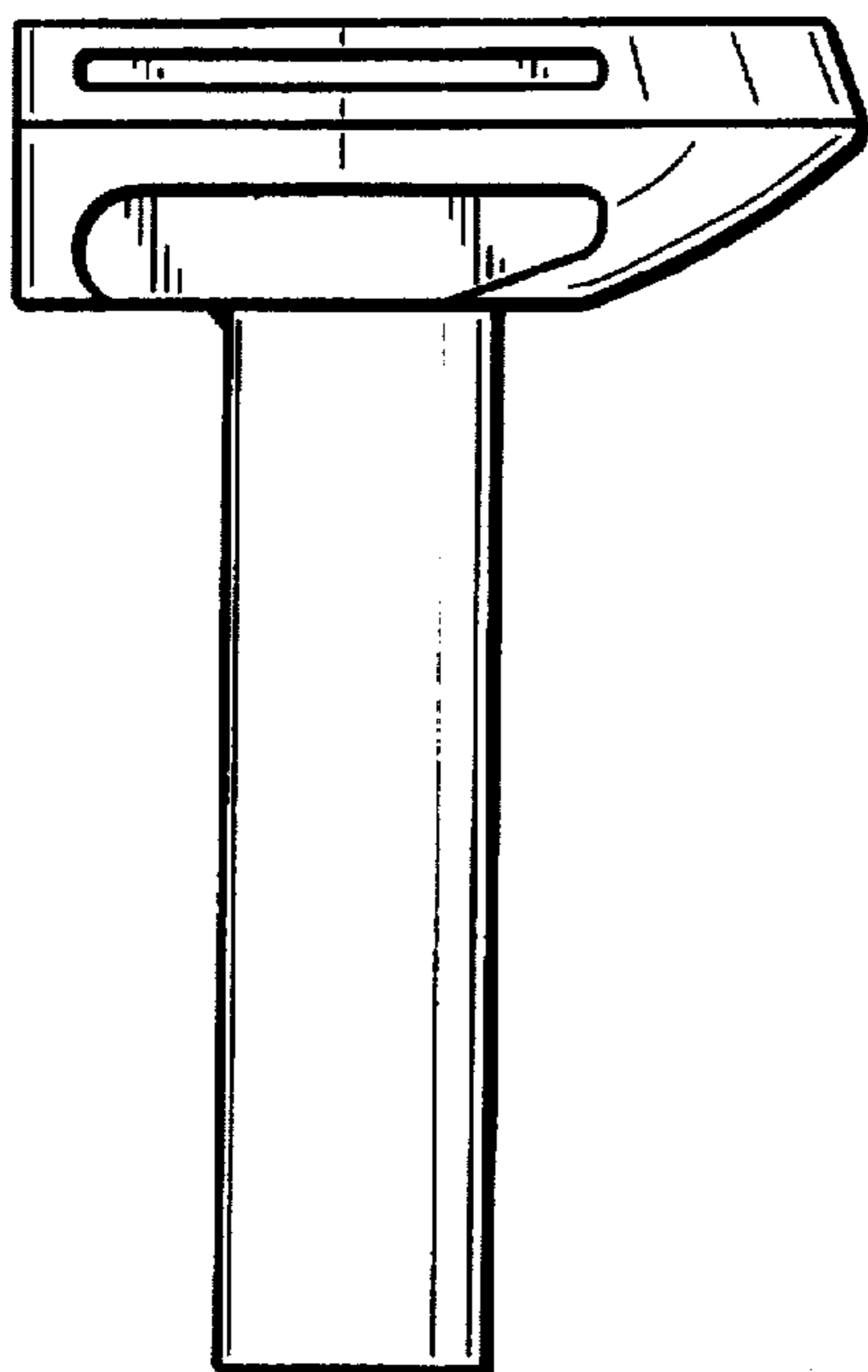


FIG. 4

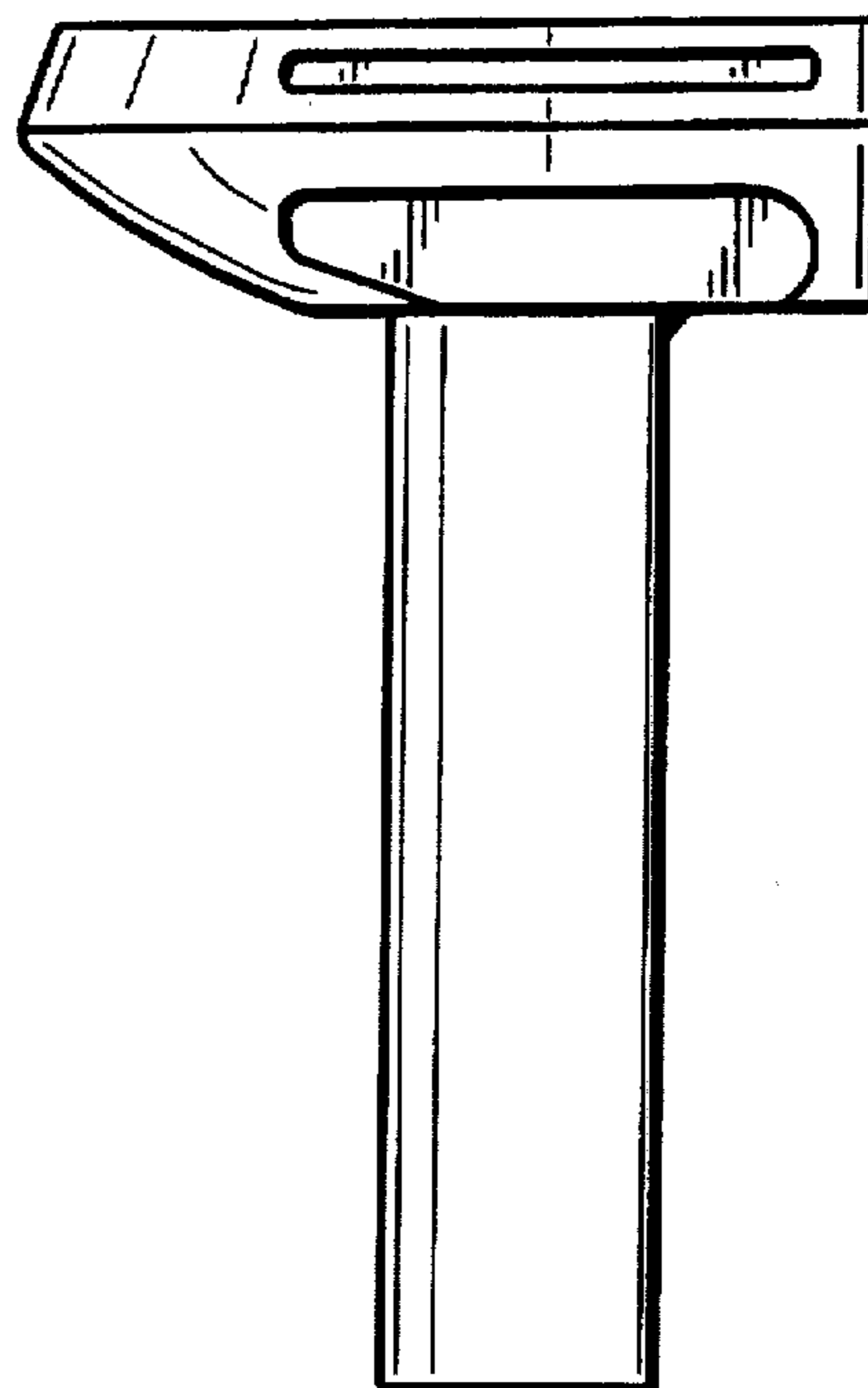


FIG. 5

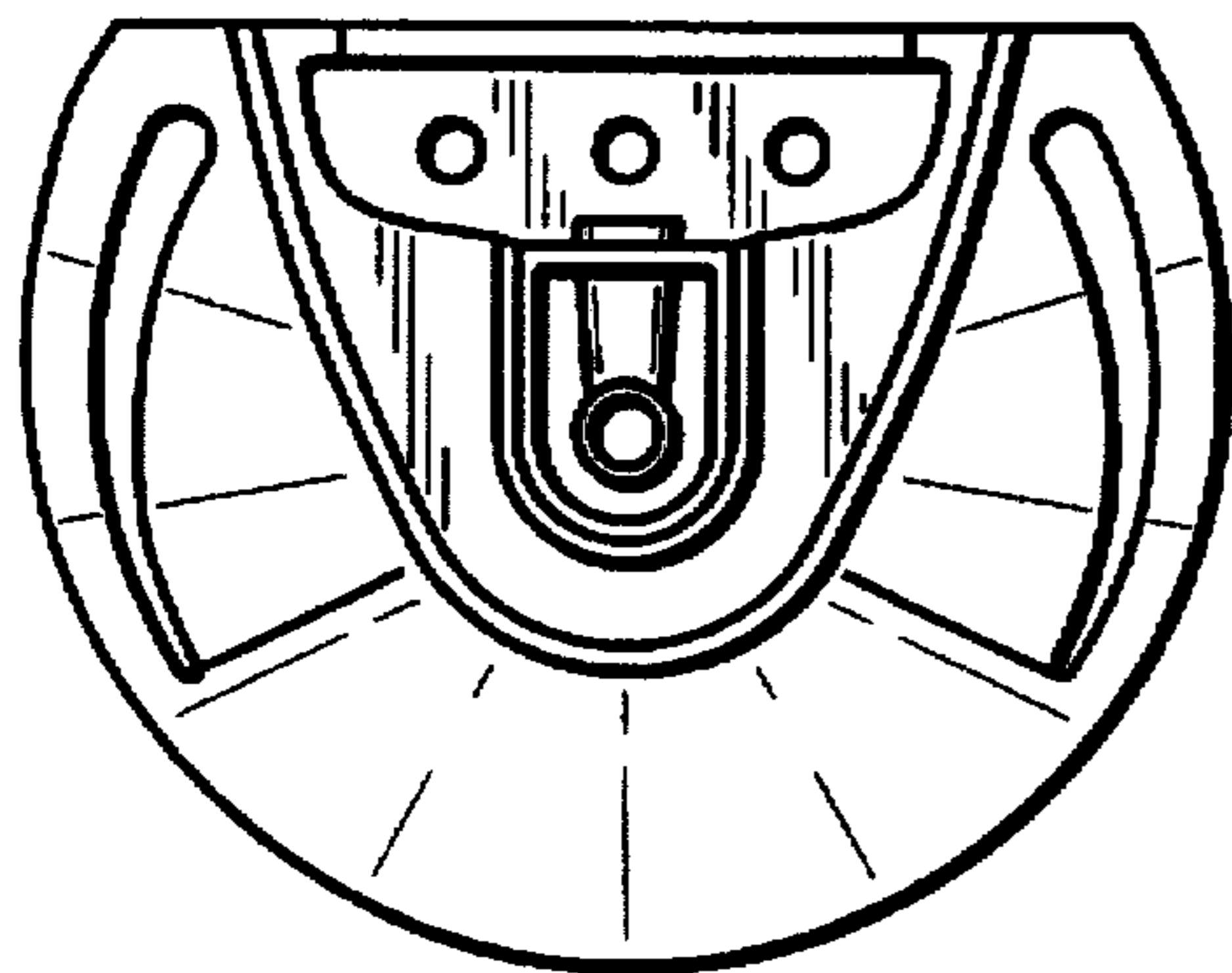


FIG. 6

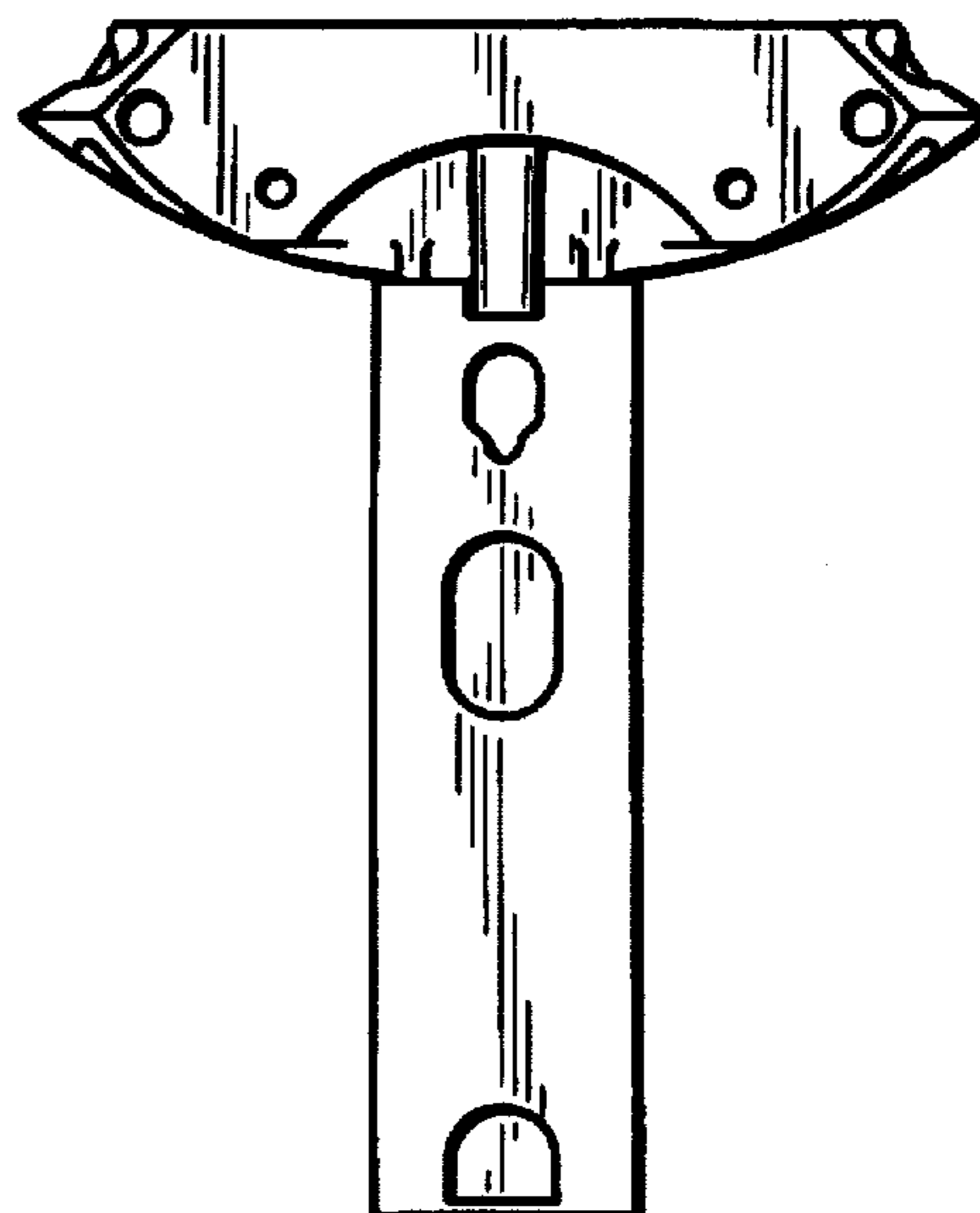


FIG. 7