

US00D386248S

United States Patent [19]
Wagner

[11] **Patent Number:** **Des. 386,248**
[45] **Date of Patent:** ****Nov. 11, 1997**

[54] **SINK**
[75] **Inventor:** **Sherle Wagner, New York, N.Y.**
[73] **Assignee:** **Sherle Wagner International, Inc.,
New York, N.Y.**
[**] **Term:** **14 Years**
[21] **Appl. No.:** **52,255**
[22] **Filed:** **Mar. 26, 1996**
[51] **LOC (6) Cl.** **23-02**
[52] **U.S. Cl.** **D23/285**
[58] **Field of Search** **D23/293.1-284;
4/619, 624, 625, 638-650**

D. 311,769 10/1990 Nosari D23/292
D. 347,053 5/1994 Reid D23/285
D. 347,272 5/1994 Reid D23/292

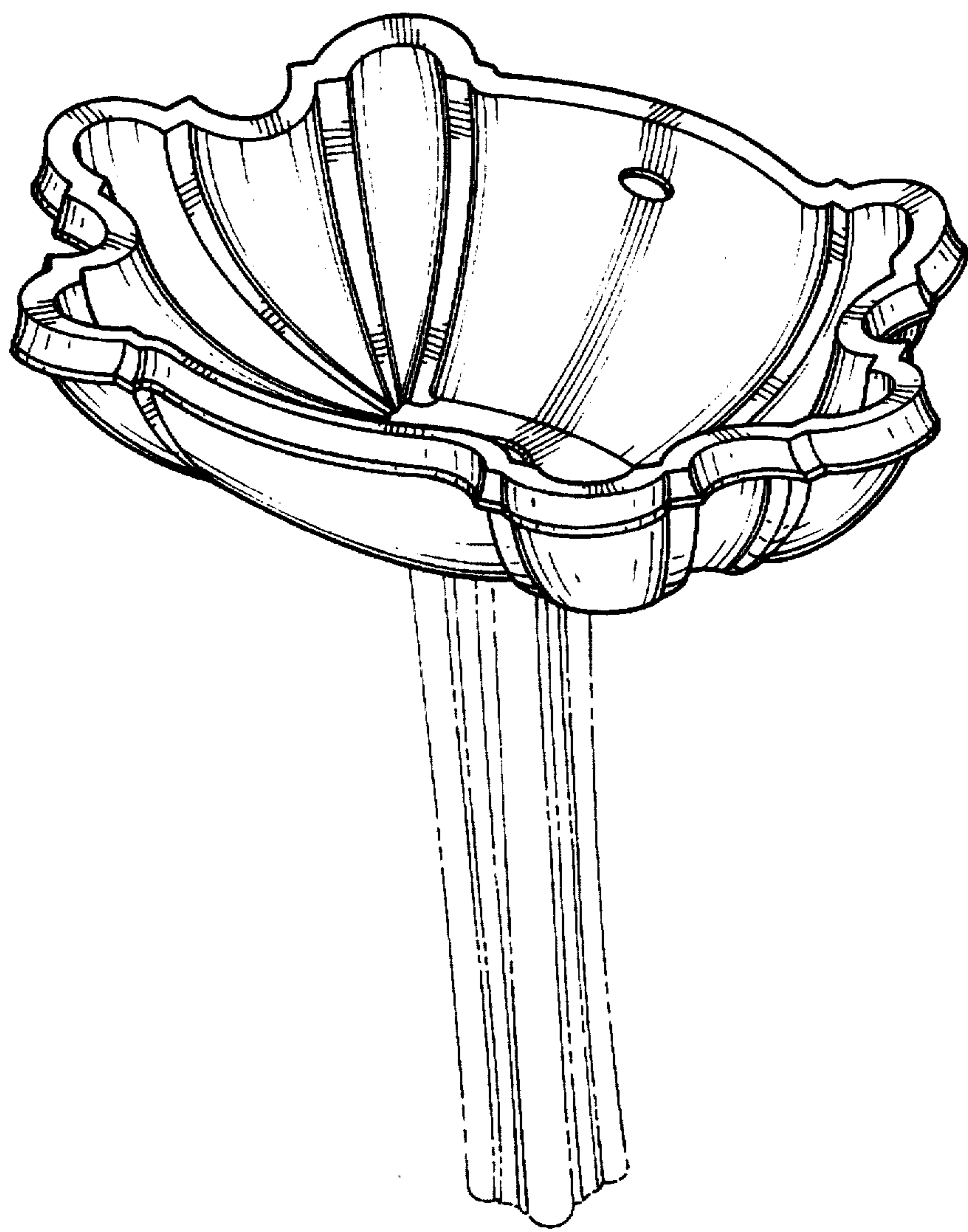
Primary Examiner—Louis S. Zarfaz
Assistant Examiner—Eric Watterson
Attorney, Agent, or Firm—Edgar A. Zarins; Malcolm L. Sutherland

[57] **CLAIM**
The ornamental design for a sink, as shown and described.

DESCRIPTION
FIG. 1 is a perspective view of a first embodiment of a sink showing my new design;
FIG. 2 is a top plan view thereof;
FIG. 3 is a front elevational view thereof;
FIG. 4 is an end view thereof; and,
FIG. 5 is a rear elevational view, the opposite end being a mirror image thereof.

[56] **References Cited**
U.S. PATENT DOCUMENTS
D. 288,352 2/1987 Smith D23/292
D. 288,354 2/1987 Smith D23/292

1 Claim, 3 Drawing Sheets



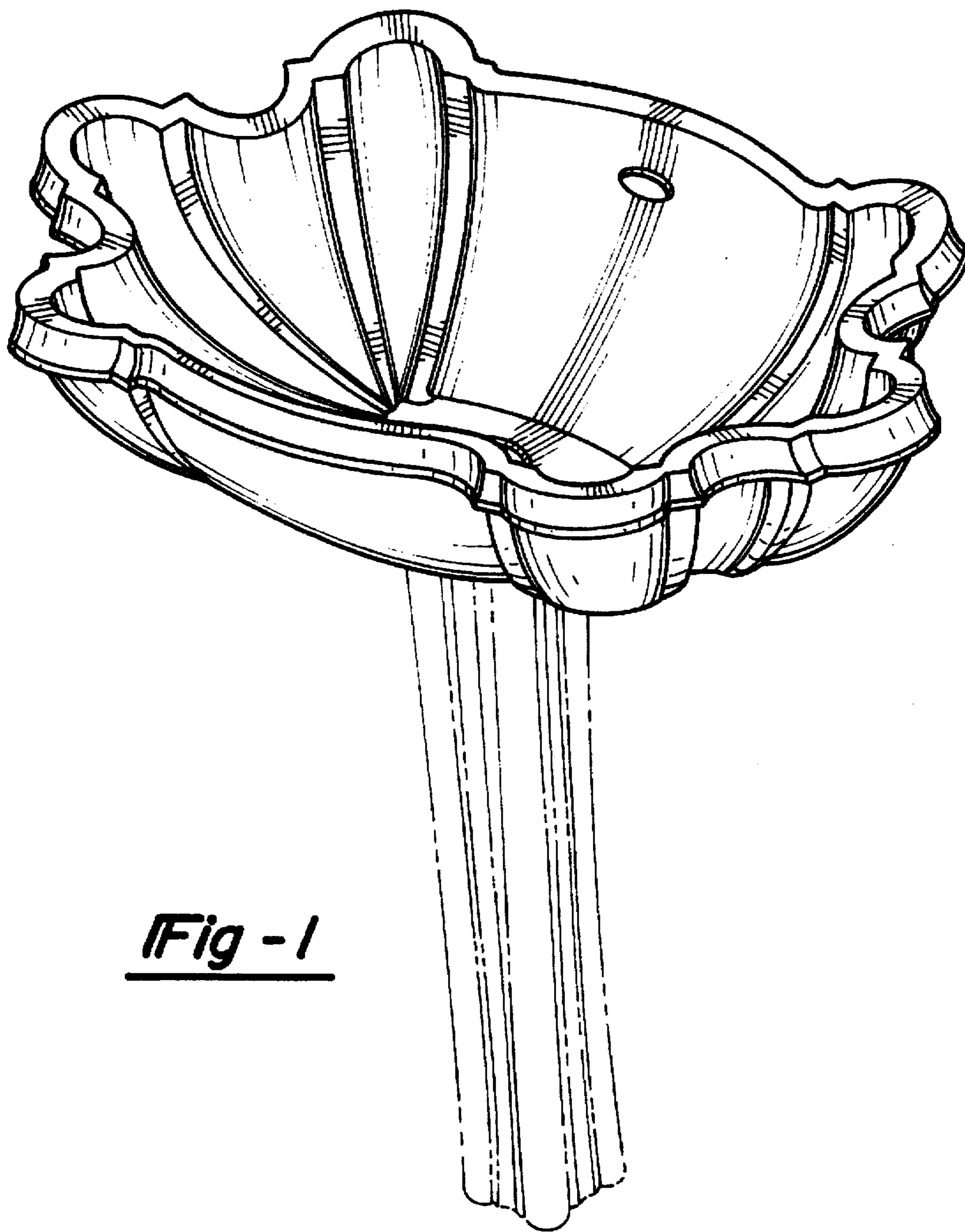


Fig - 1

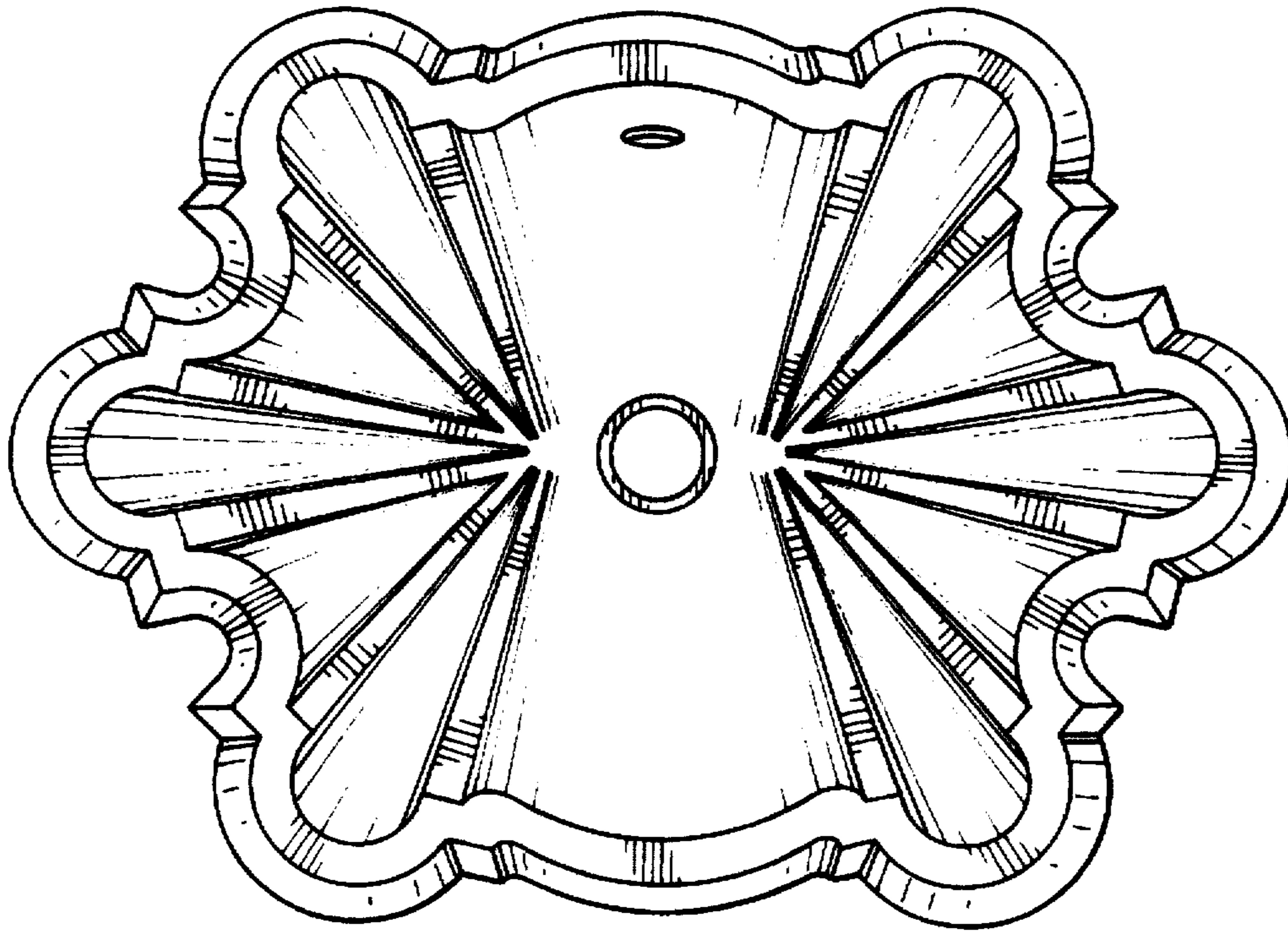


Fig - 2

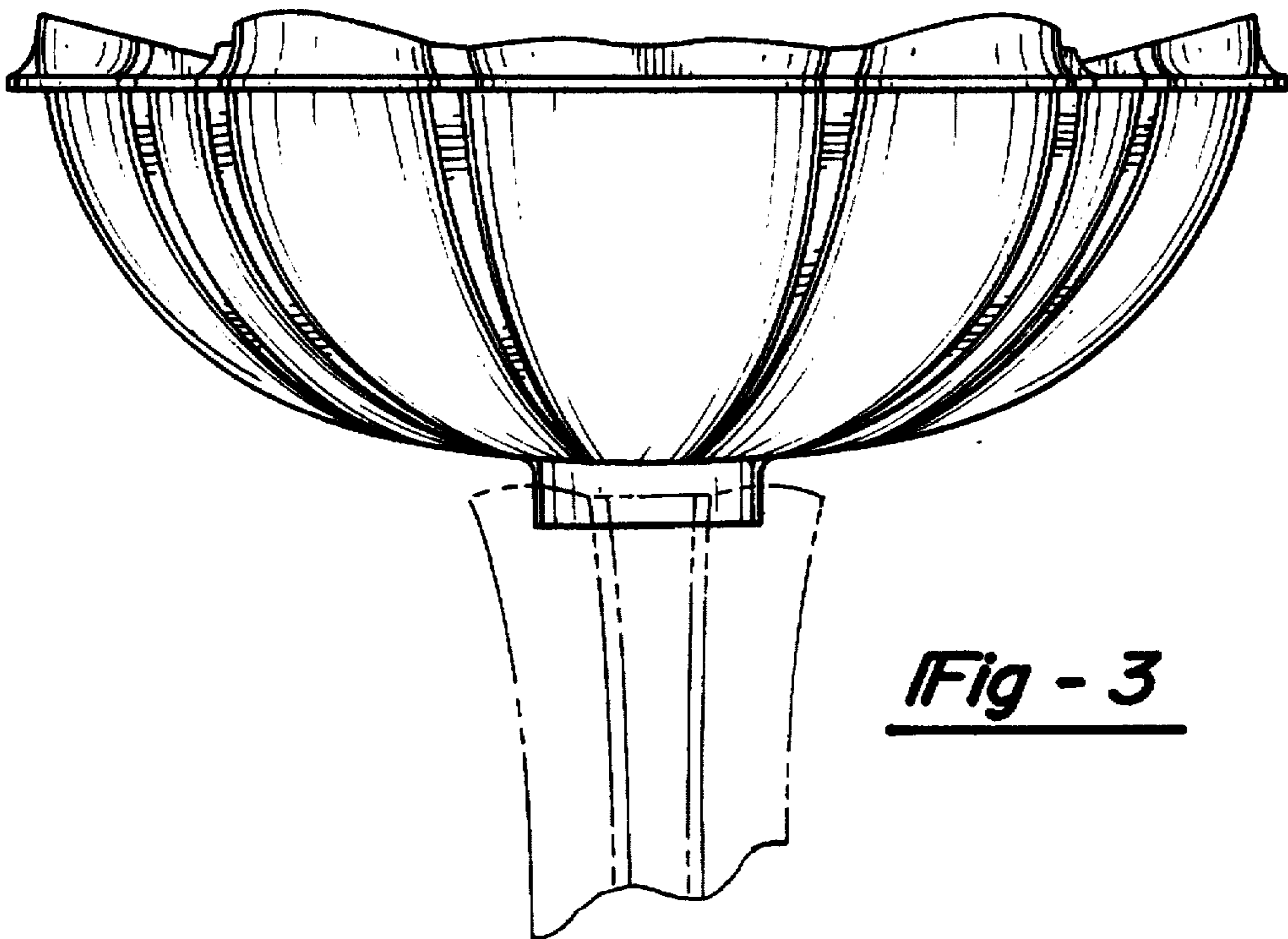


Fig - 3

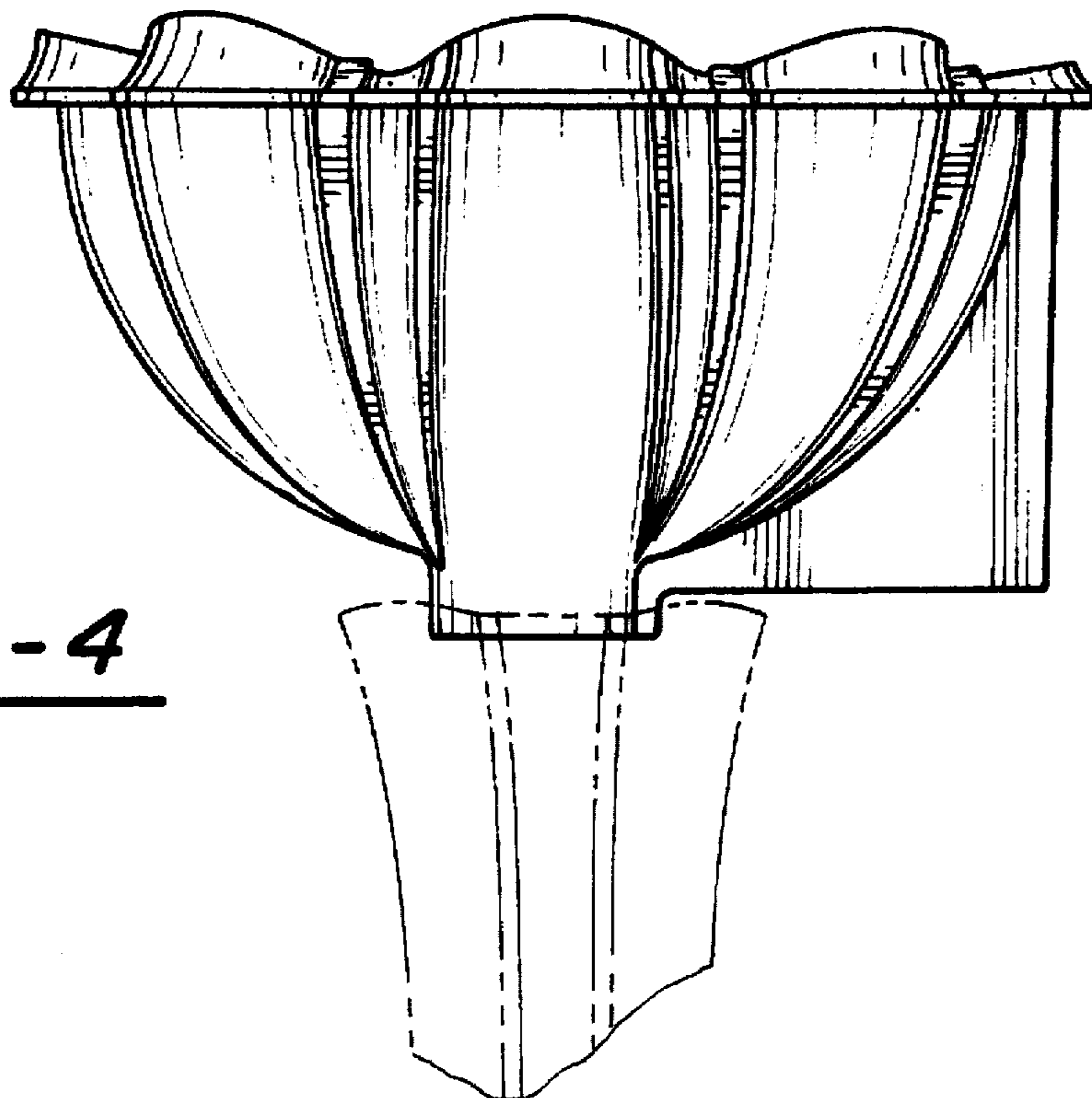


Fig - 4

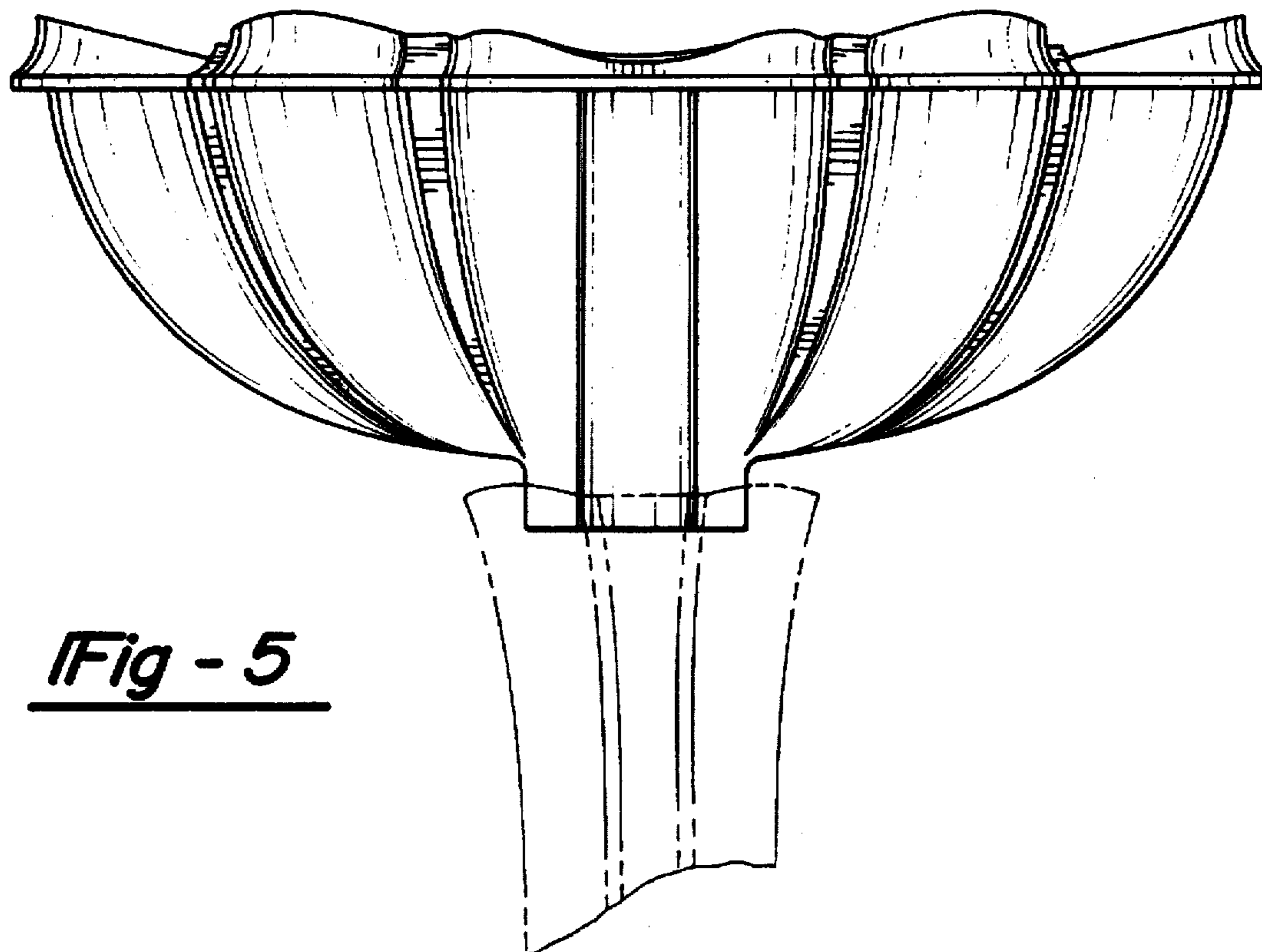


Fig - 5