

US00D386244S

United States Patent [19]

[11] Patent Number: **Des. 386,244**

Caroen et al.

[45] Date of Patent: ****Nov. 11, 1997**

[54] **SHOWER HEAD**

[75] Inventors: **Adrian Barclay Caroen**, London;
David H. Powell, Loxwood, both of
United Kingdom

[73] Assignee: **Aqualisa Products Limited**, United
Kingdom

[**] Term: **14 Years**

[21] Appl. No.: **57,004**

[22] Filed: **Jul. 15, 1996**

[30] **Foreign Application Priority Data**

Jan. 16, 1996 [GB] United Kingdom 2053410

[51] LOC (6) CL **23-01**

[52] U.S. Cl. **D23/229**

[58] Field of Search D23/213, 223-226,
D23/229, 230; 239/525, 548, 550, 556,
559

[56] **References Cited**

U.S. PATENT DOCUMENTS

D. 128,220 7/1941 Werner D23/213

D. 268,359	3/1983	Klose	D23/229
D. 281,192	10/1985	Santi	D23/213
D. 290,497	6/1987	Huen	D23/229
D. 313,456	1/1991	Presman	D23/213
D. 313,833	1/1991	Presman	D23/213
D. 352,092	11/1994	Warshawsky	D23/213

OTHER PUBLICATIONS

Craftech Collection brochure, item # 02-0006 shower head, 1995.

Primary Examiner—Brian N. Vinson

Assistant Examiner—Robin V. Taylor

Attorney, Agent, or Firm—Harness, Dickey & Pierce, P.L.C.

[57] **CLAIM**

The ornamental design for a shower head, as shown and described.

DESCRIPTION

FIG. 1 is a perspective view taken from a side, front and top, of a shower head according to the invention; FIG. 2 is a front view thereof; FIG. 3 is a side view thereof; and, FIG. 4 is a rear view thereof.

1 Claim, 2 Drawing Sheets

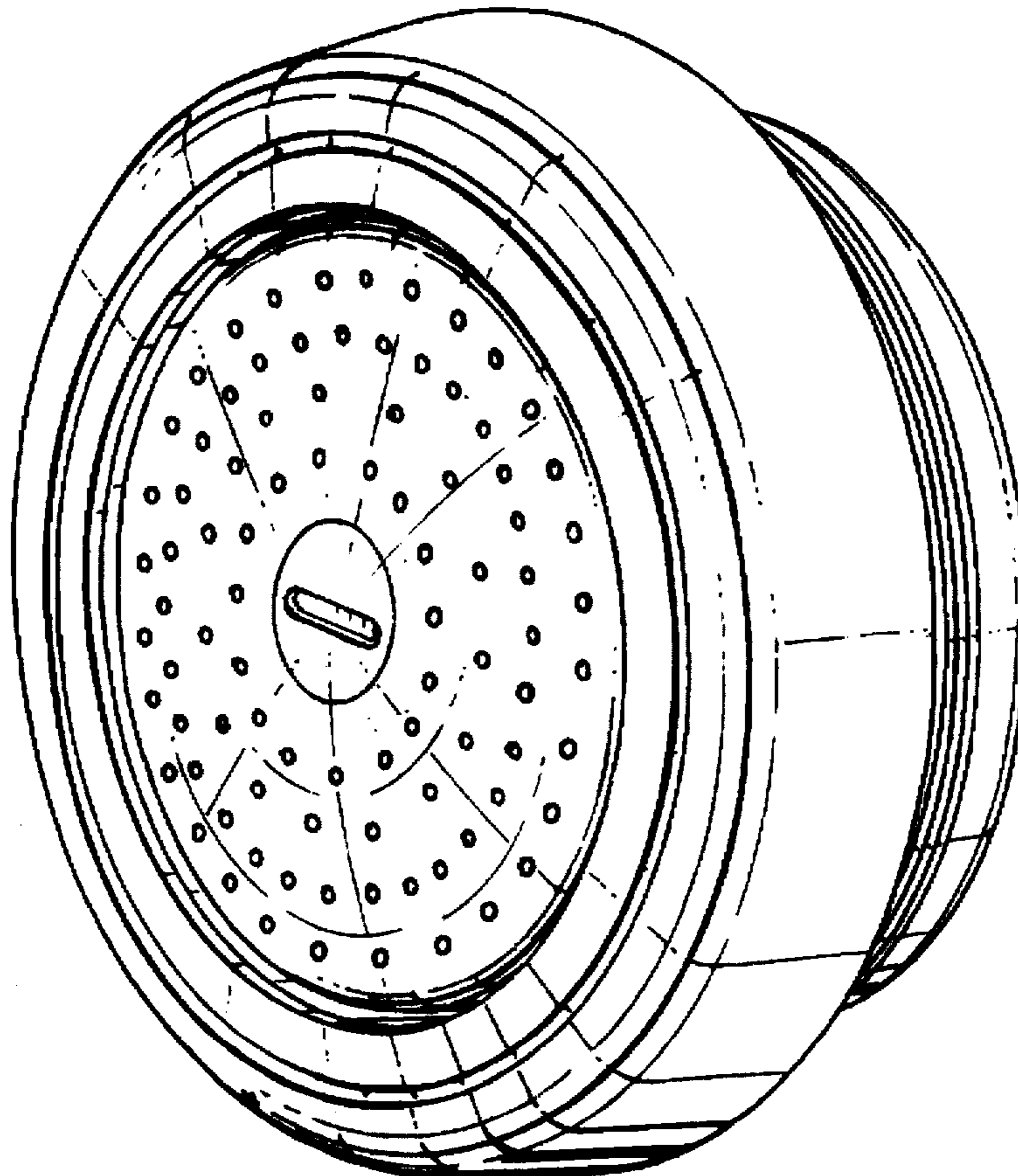


Fig.1.

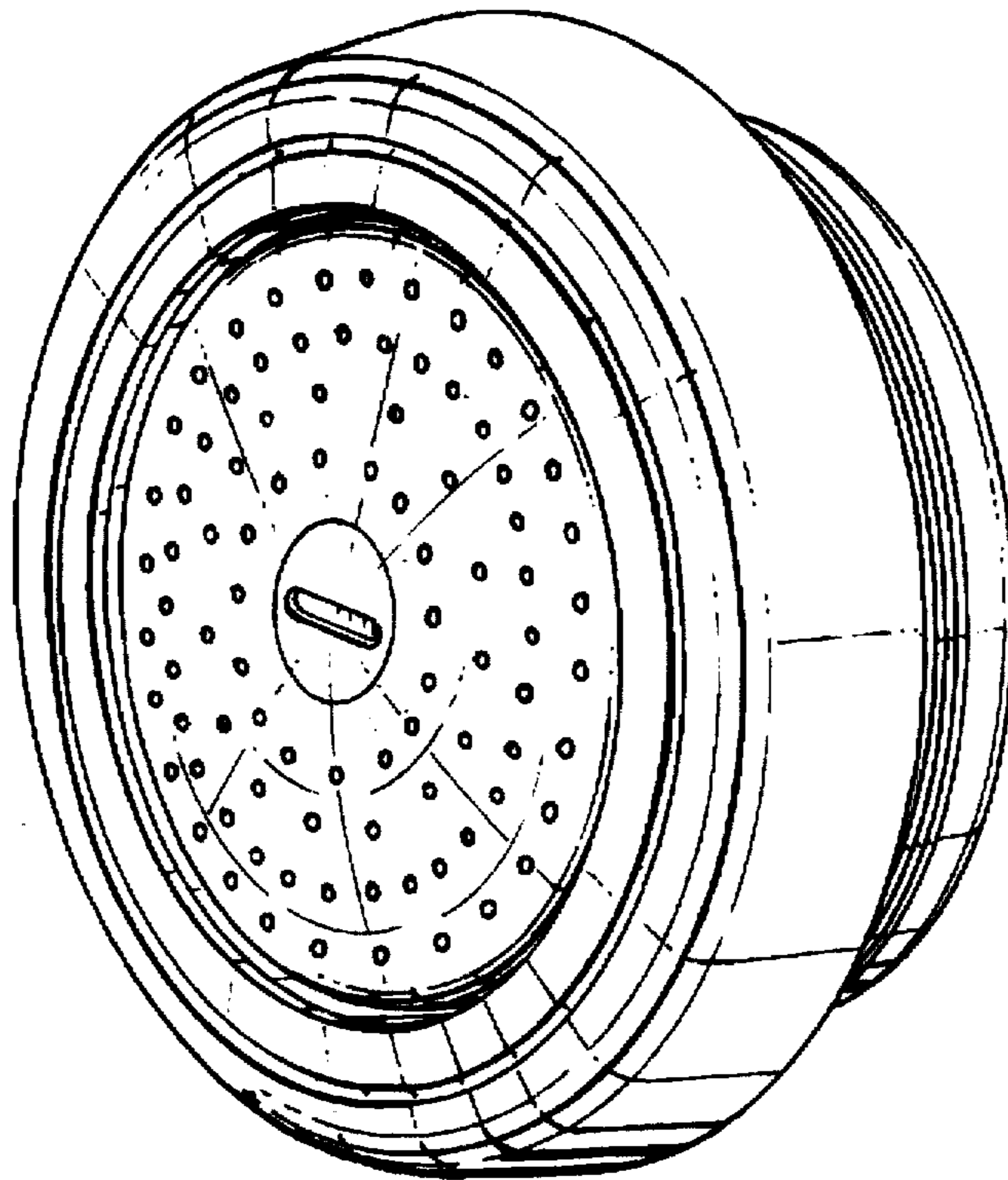


Fig.2.

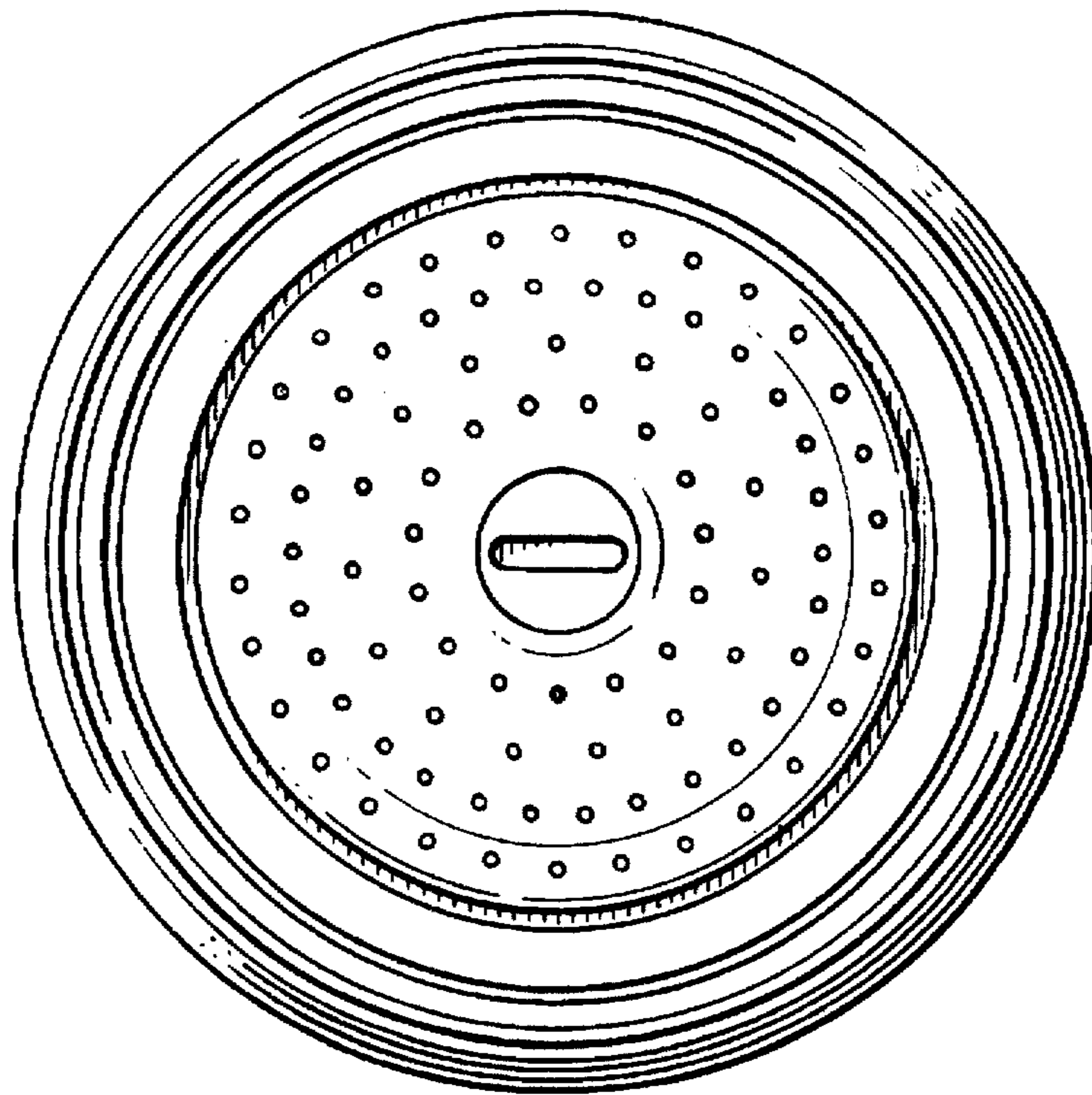


Fig.3.

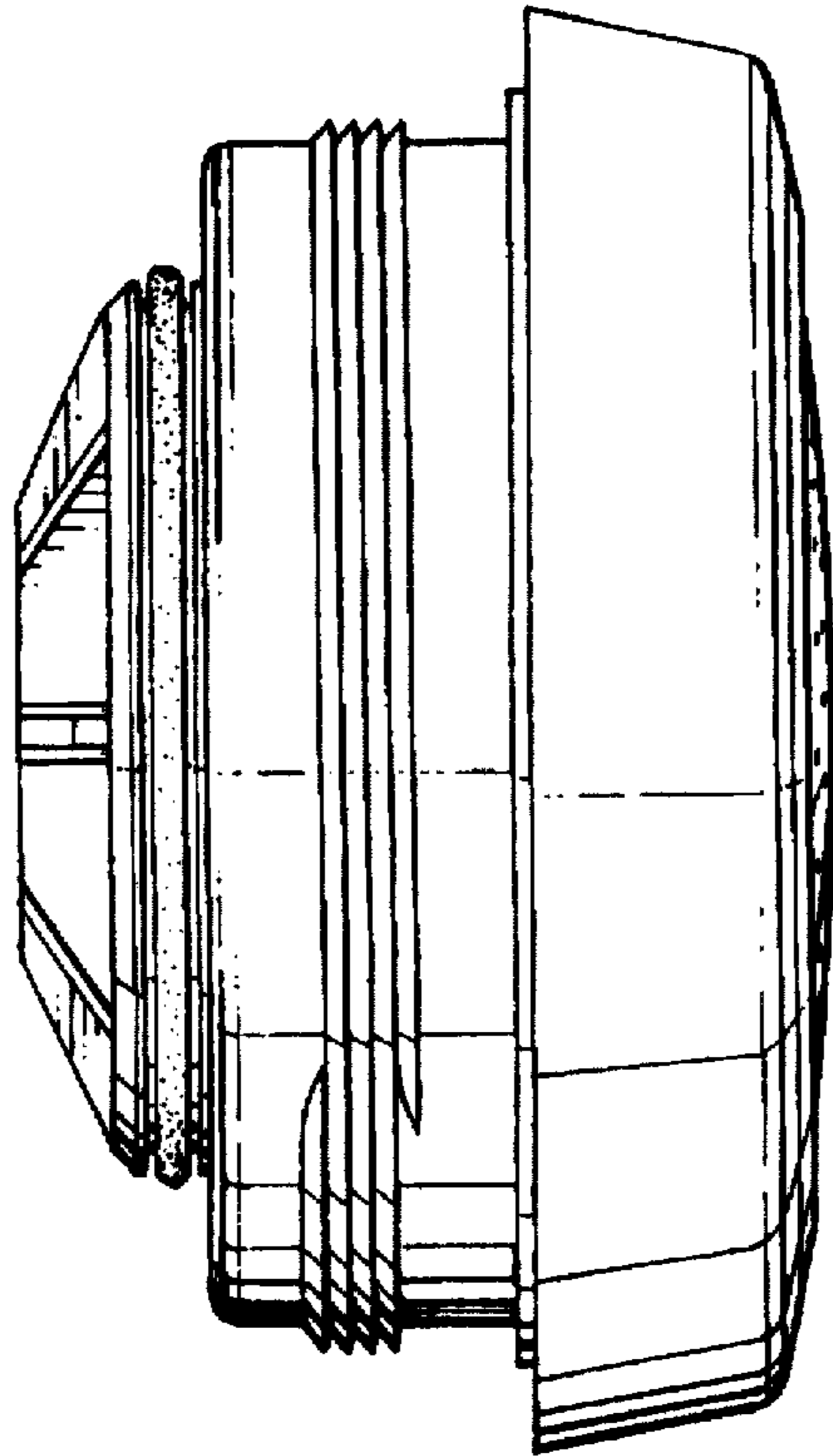


Fig.4.

