



US00D386243S

United States Patent [19]

[11] Patent Number: Des. 386,243

Hästö et al.

[45] Date of Patent: **Nov. 11, 1997

[54] **DIFFUSER FOR WATER AERATION**

[75] Inventors: **Magnus Hästö**, Espoo; **Hannu Kähönen**; **Hannu Ryyänen**, both of Helsinki, all of Finland

[73] Assignee: **Nopon Oy**, Helsinki, Finland

[**] Term: **14 Years**

[21] Appl. No.: **55,761**

[22] Filed: **Jun. 12, 1996**

[30] **Foreign Application Priority Data**

Dec. 13, 1995 [FI] Finland 831/95

[51] LOC (6) Cl. **23-01**

[52] U.S. Cl. **D23/213; D23/210**

[58] Field of Search **D23/200, 207, D23/209, 210, 213; 261/122, 122.1, 122.2, 124, DIG. 70, DIG. 71; 210/220**

[56] **References Cited**

U.S. PATENT DOCUMENTS

- Re. 33,899 4/1992 Tyer .
- D. 200,088 1/1965 Earnshaw D23/213
- D. 318,094 7/1991 Sherman D23/209
- D. 321,743 11/1991 Logue et al. .
- D. 321,745 11/1991 Murrell .

- D. 371,187 6/1996 Ryyanen .
- 3,360,460 12/1967 Weston 261/DIG. 71
- 3,953,554 4/1976 Loughridge 261/DIG. 70
- 4,848,749 7/1989 Schneider 261/122.2
- 4,849,139 7/1989 Jager 261/122.2
- 4,981,623 1/1991 Ryan .
- 5,378,355 1/1995 Winkler 210/220

Primary Examiner—A. Hugo Word
Assistant Examiner—Robin V. Taylor
Attorney, Agent, or Firm—Burns, Doane, Swecker & Mathis, L.L.P.

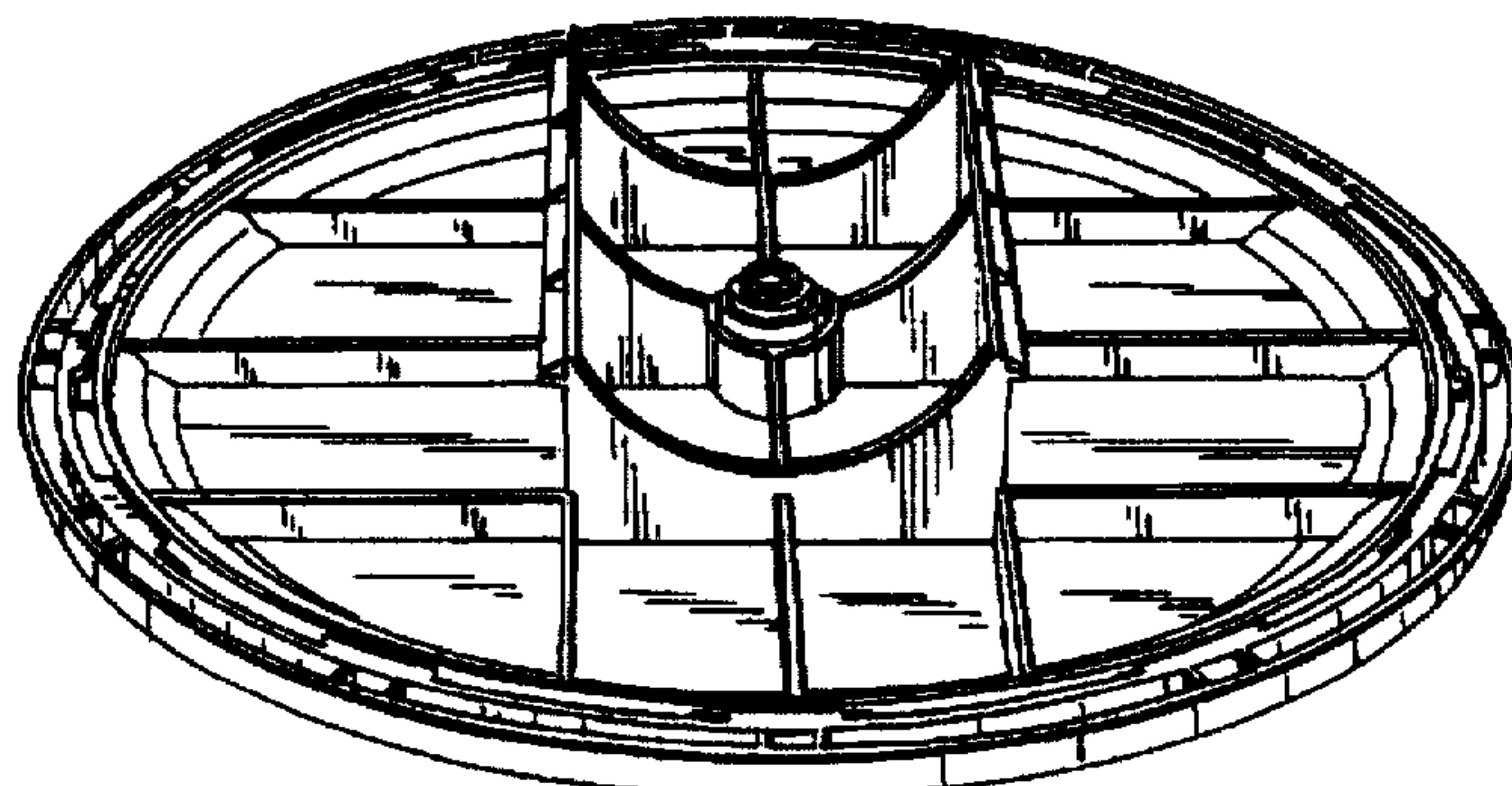
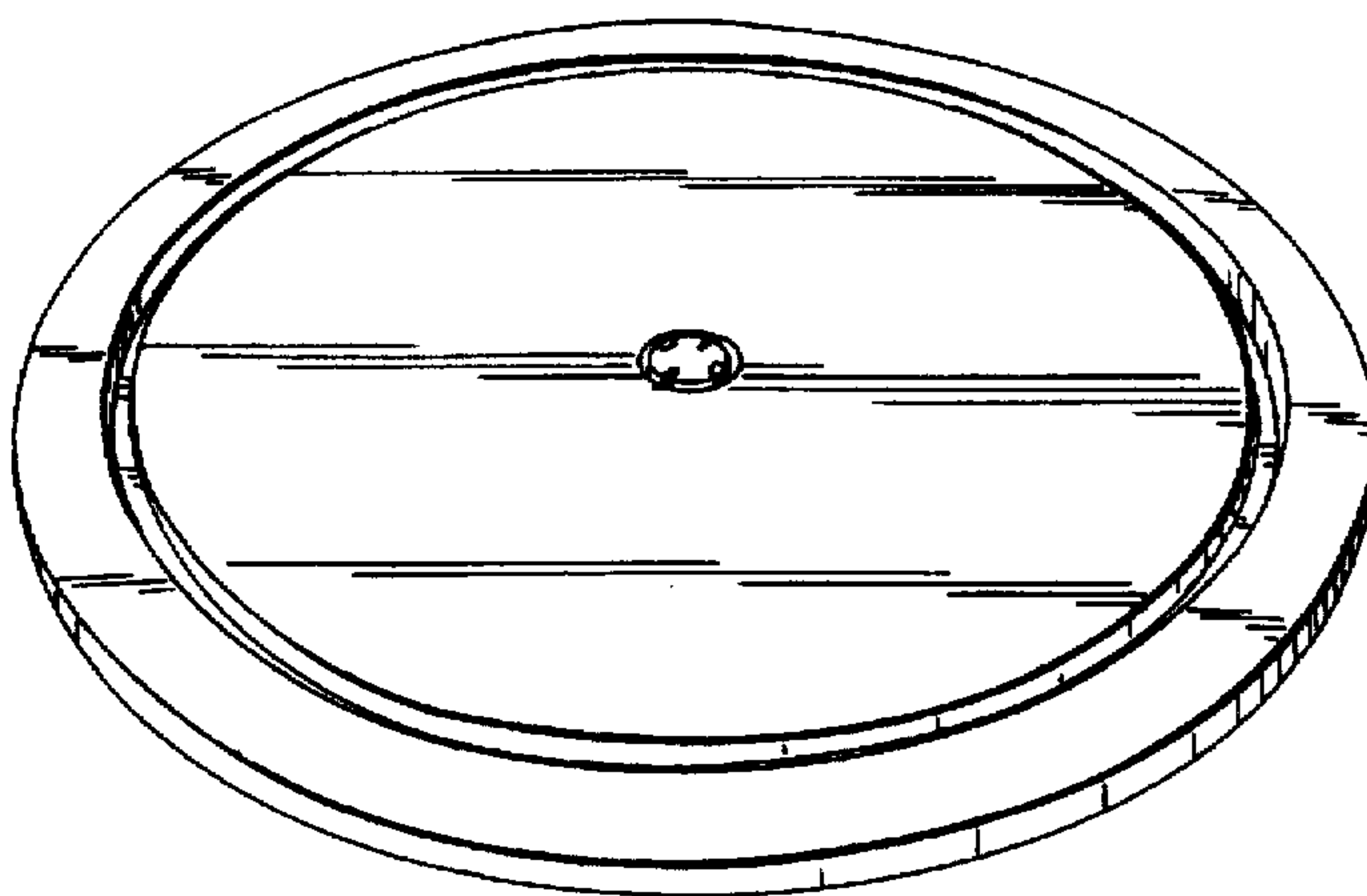
[57] **CLAIM**

The ornamental design for a diffuser for water aeration, as shown and described.

DESCRIPTION

FIG. 1 is a perspective top view showing our new design; FIG. 2 is a perspective bottom view thereof; FIG. 3 is a perspective right side view thereof; FIG. 4 is a perspective front view thereof; FIG. 5 is a bottom view thereof; FIG. 6 is a top view thereof; FIG. 7 is a right side view thereof; FIG. 8 is a left side view thereof; FIG. 9 is a rear view thereof; and, FIG. 10 is front view thereof.

1 Claim, 4 Drawing Sheets



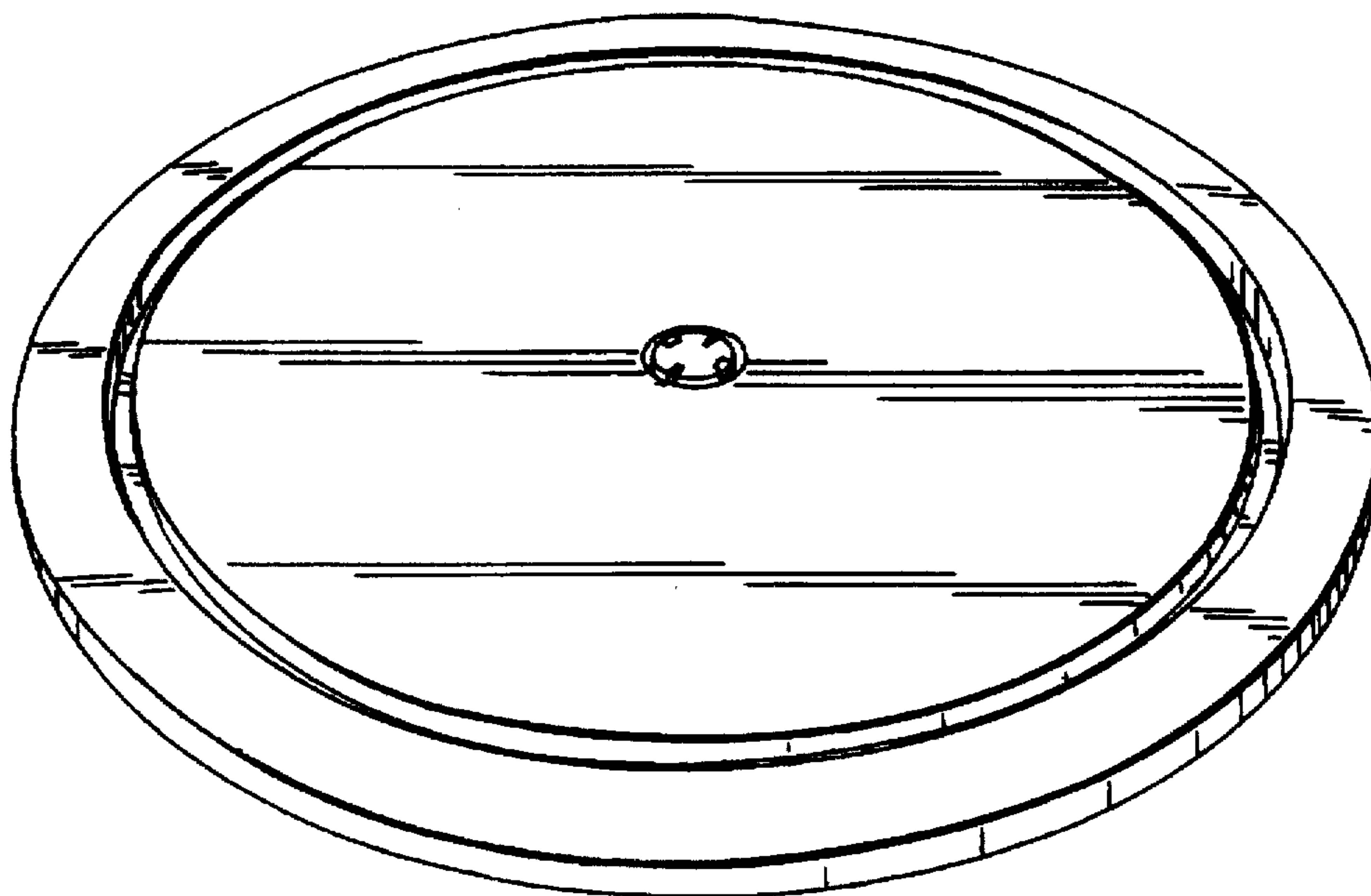


FIG. 1

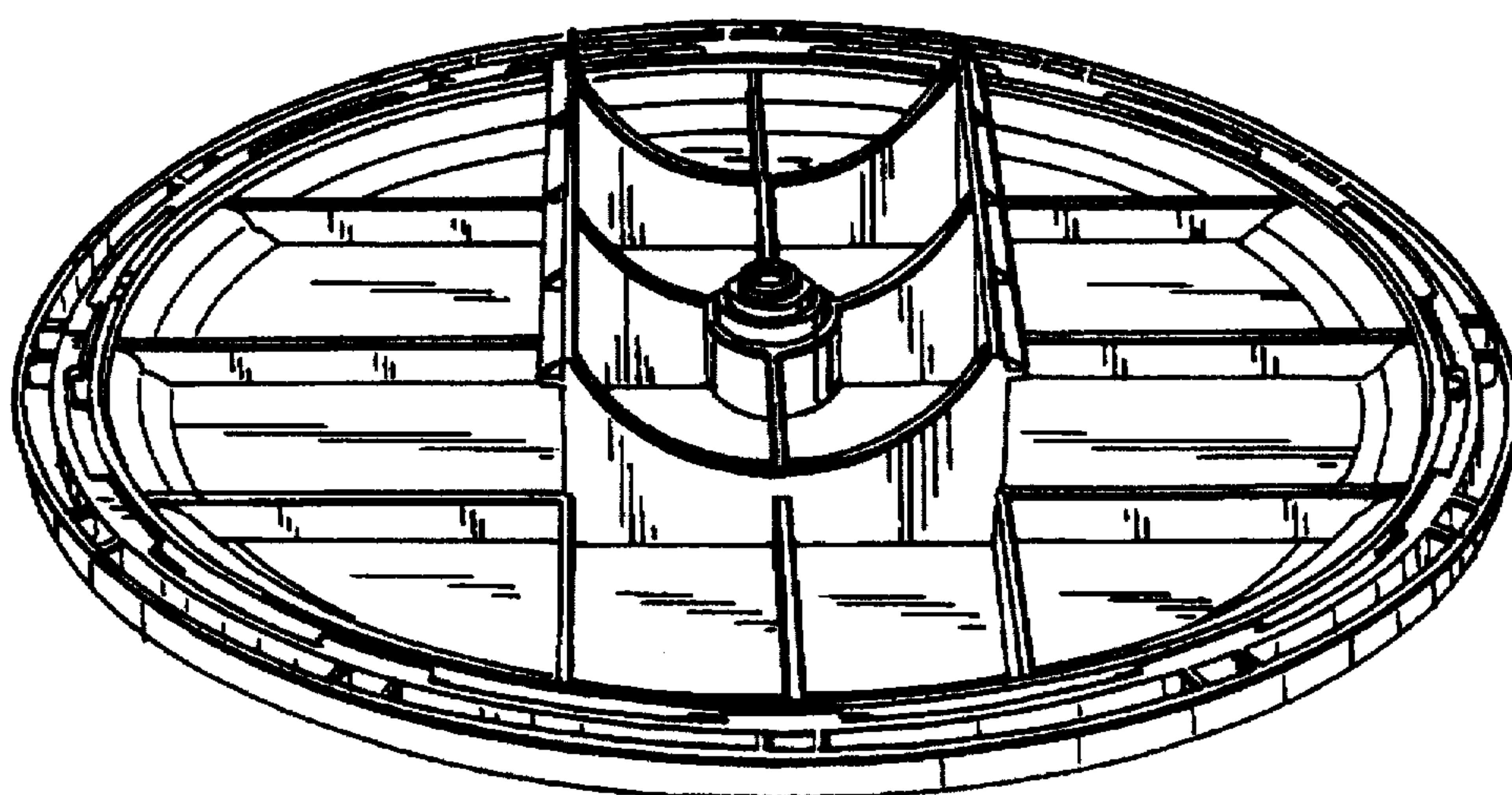


FIG. 2

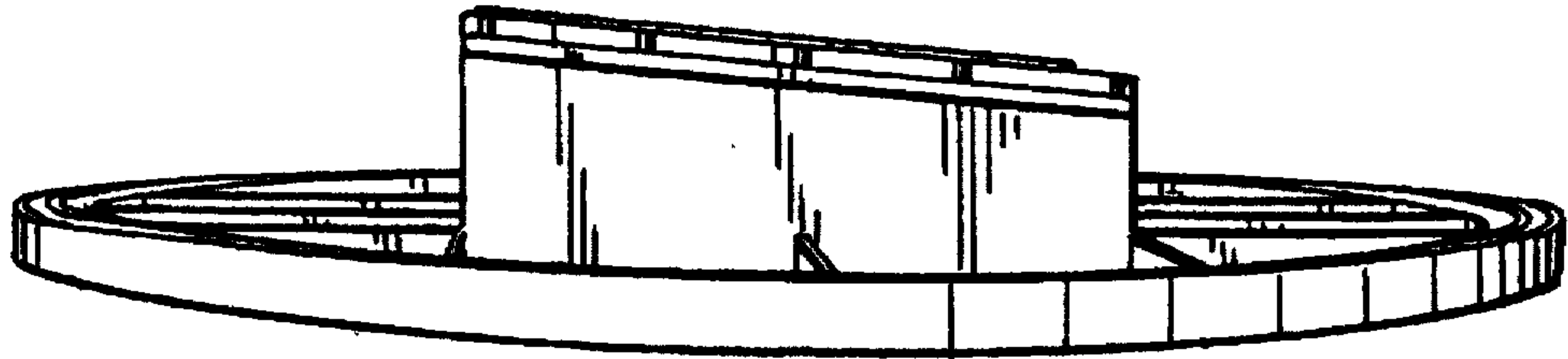


FIG. 3

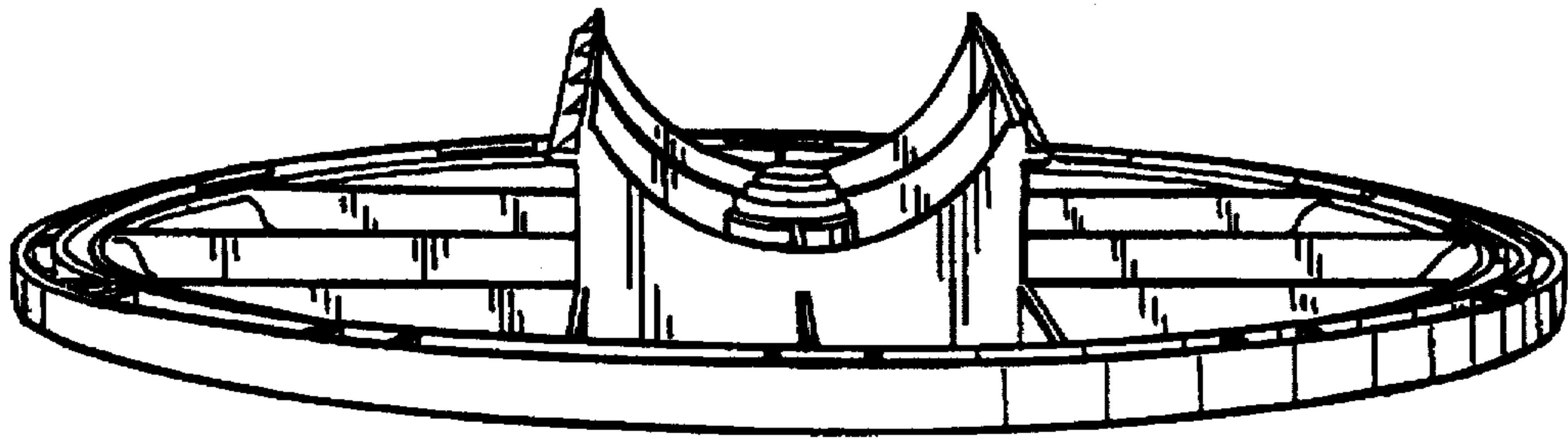


FIG. 4

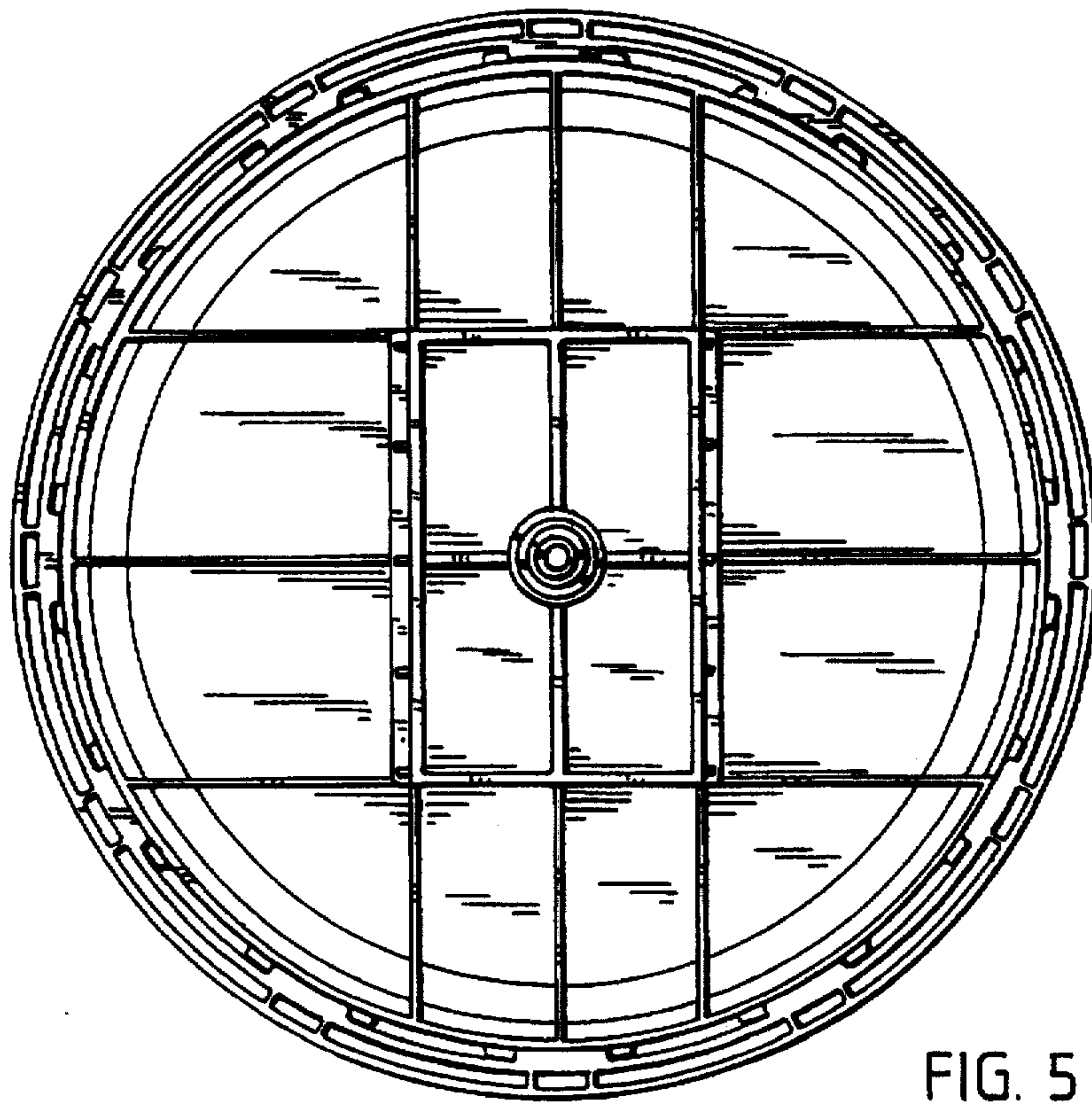


FIG. 5

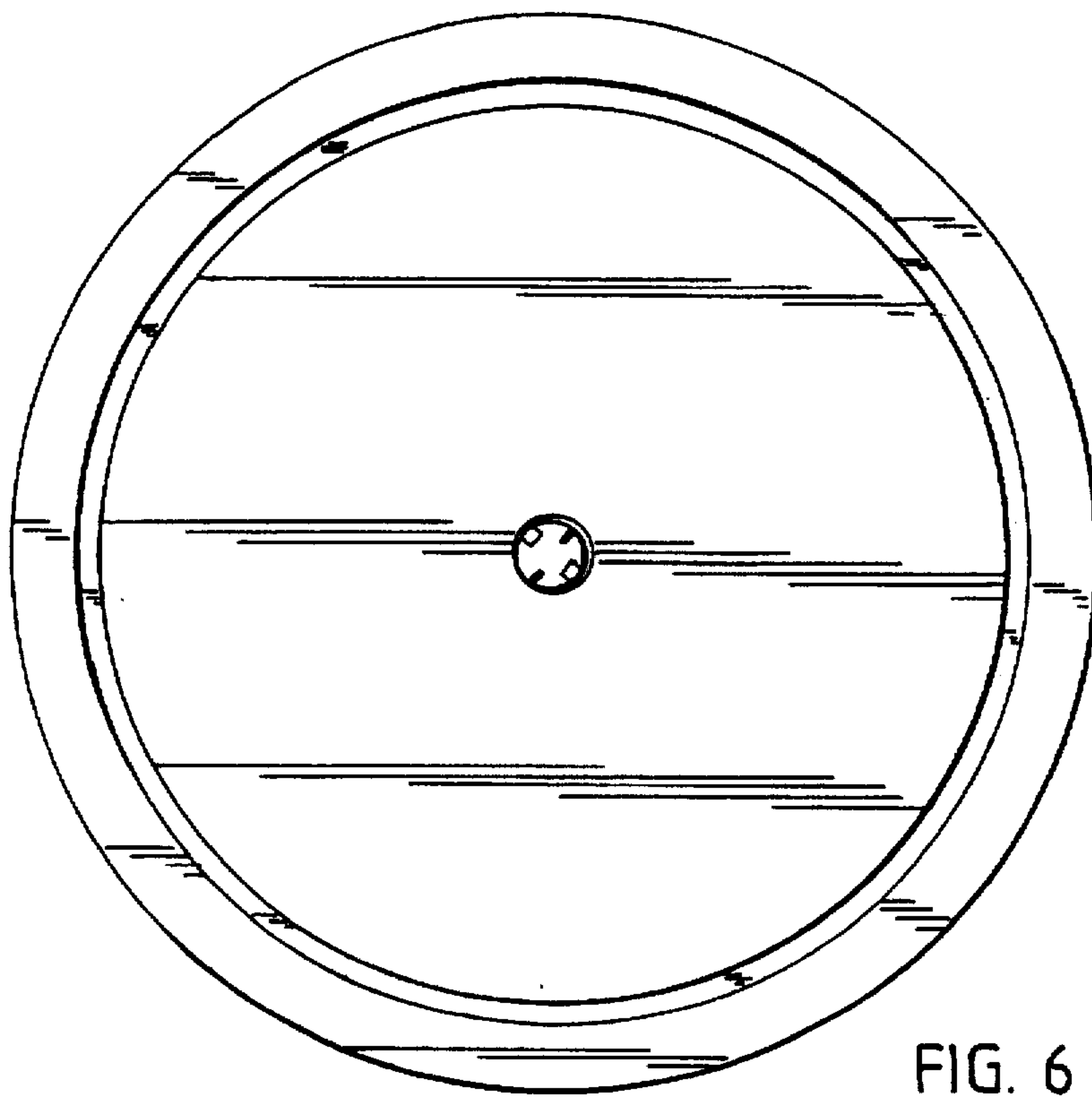


FIG. 6

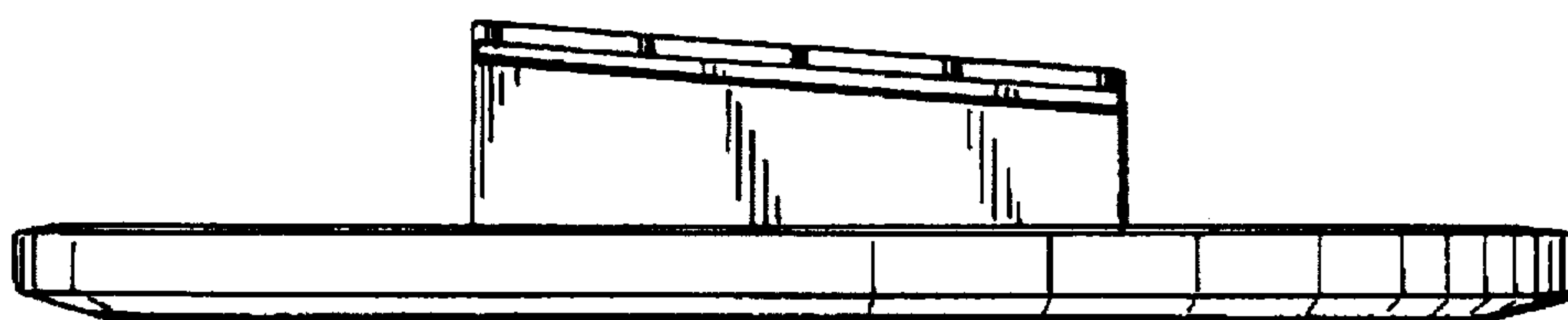


FIG. 7

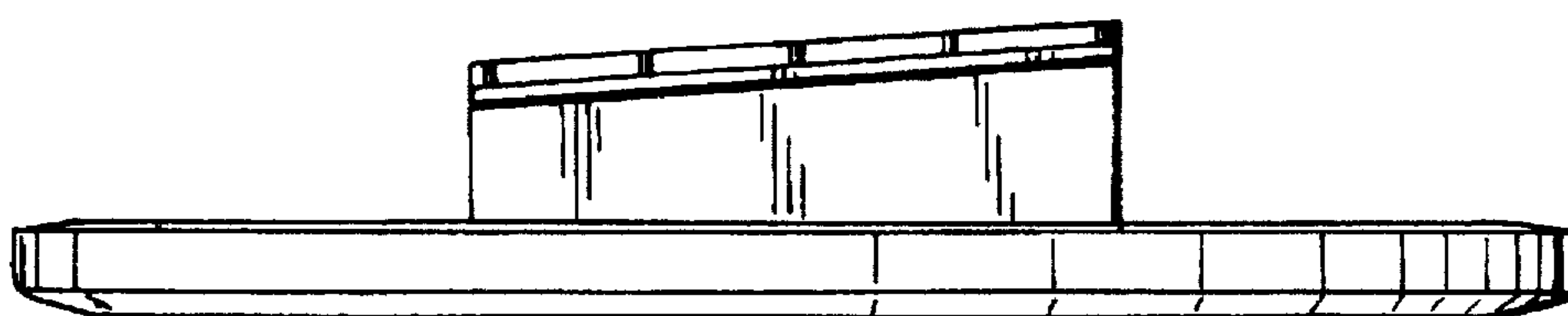


FIG. 8

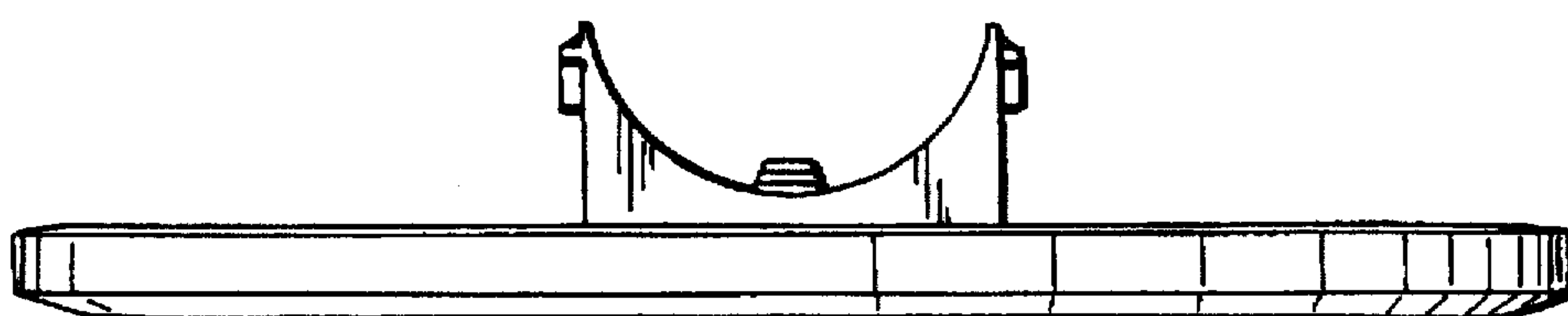


FIG. 9

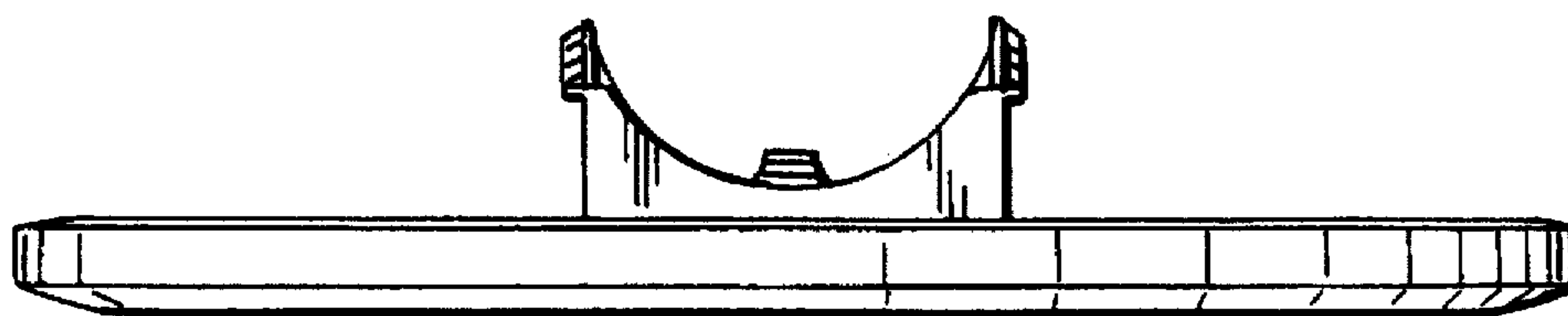


FIG. 10