



US00D386240S

United States Patent [19]
Howseman, Jr.

[11] **Patent Number: Des. 386,240**
[45] **Date of Patent: **Nov. 11, 1997**

[54] **TANK FOR A PORTABLE PUMP**

[76] **Inventor: William E. Howseman, Jr., 150 Los Angeles Ave., Unit 205, Moorpark, Calif. 93021**

[**] **Term: 14 Years**

[21] **Appl. No.: 57,691**

[22] **Filed: Jul. 30, 1996**

[51] **LOC (6) Cl. 23-01**

[52] **U.S. Cl. D23/202; D23/225**

[58] **Field of Search D23/225, 200, D23/202, 231; D15/7; D9/527, 528, 529; 141/37, 231; 220/581, 582, 587; 239/315-318, 525, 333; 401/171, 173; 222/209, 210, 401**

[56] **References Cited**

U.S. PATENT DOCUMENTS

D. 196,198	9/1963	Coming et al.	D23/225
D. 366,926	2/1996	McGinnity et al.	D23/213
D. 376,191	12/1996	Stapensea et al.	D23/202
3,168,984	2/1965	Coming et al.	239/525
3,251,387	5/1966	Shirle et al.	222/209

Primary Examiner—Alan P. Douglas
Assistant Examiner—Robin V. Taylor
Attorney, Agent, or Firm—Linval B. Castle

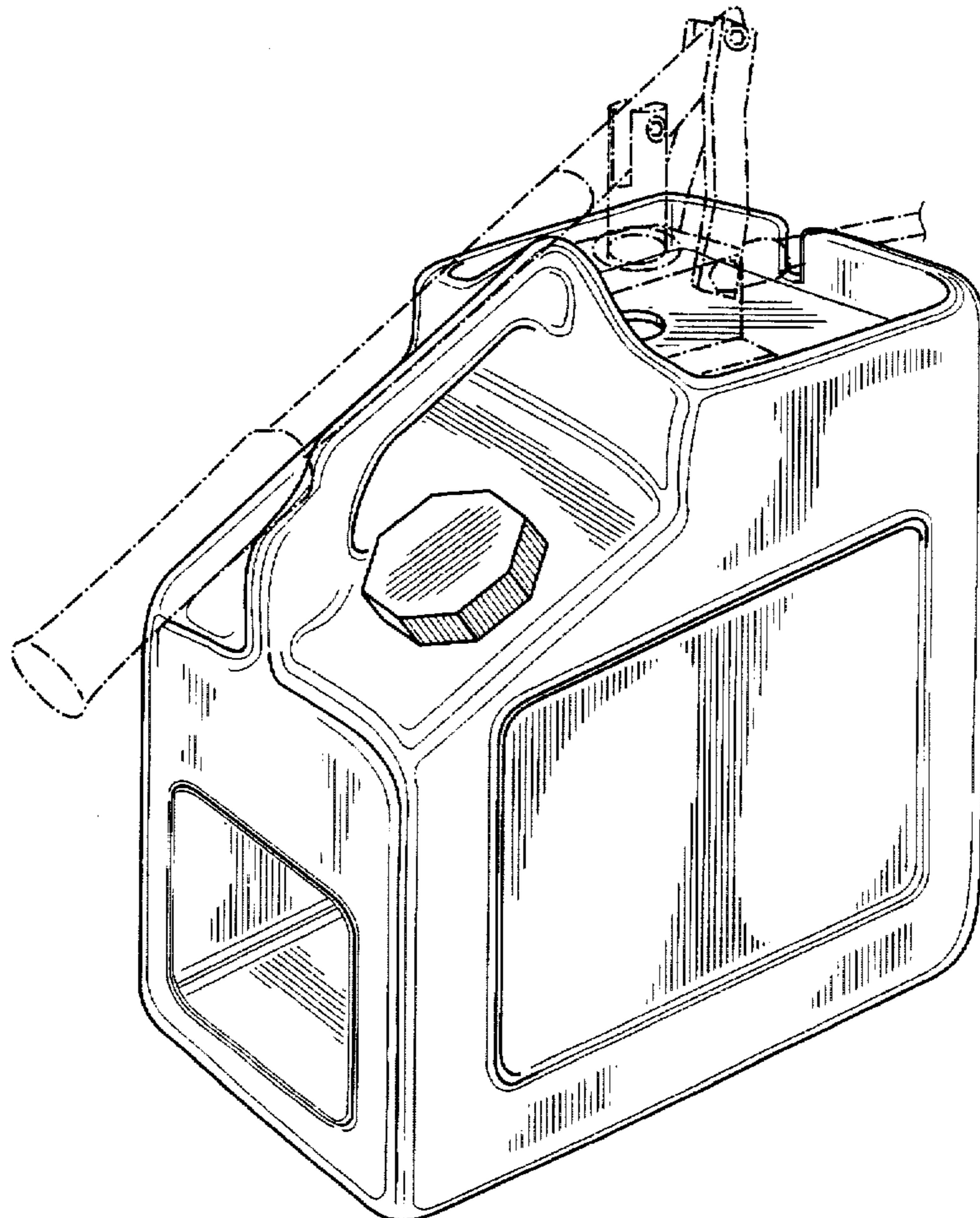
[57] **CLAIM**

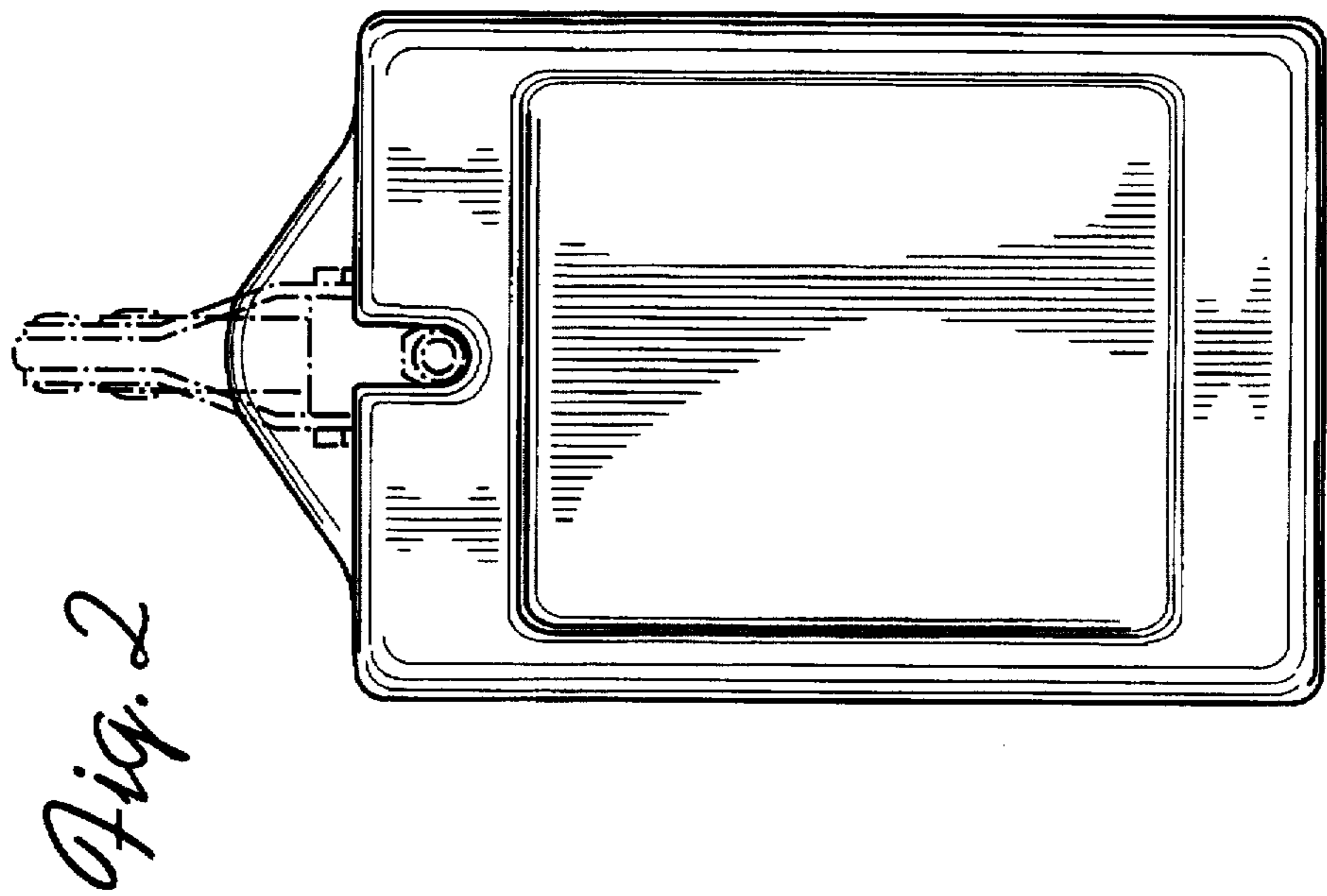
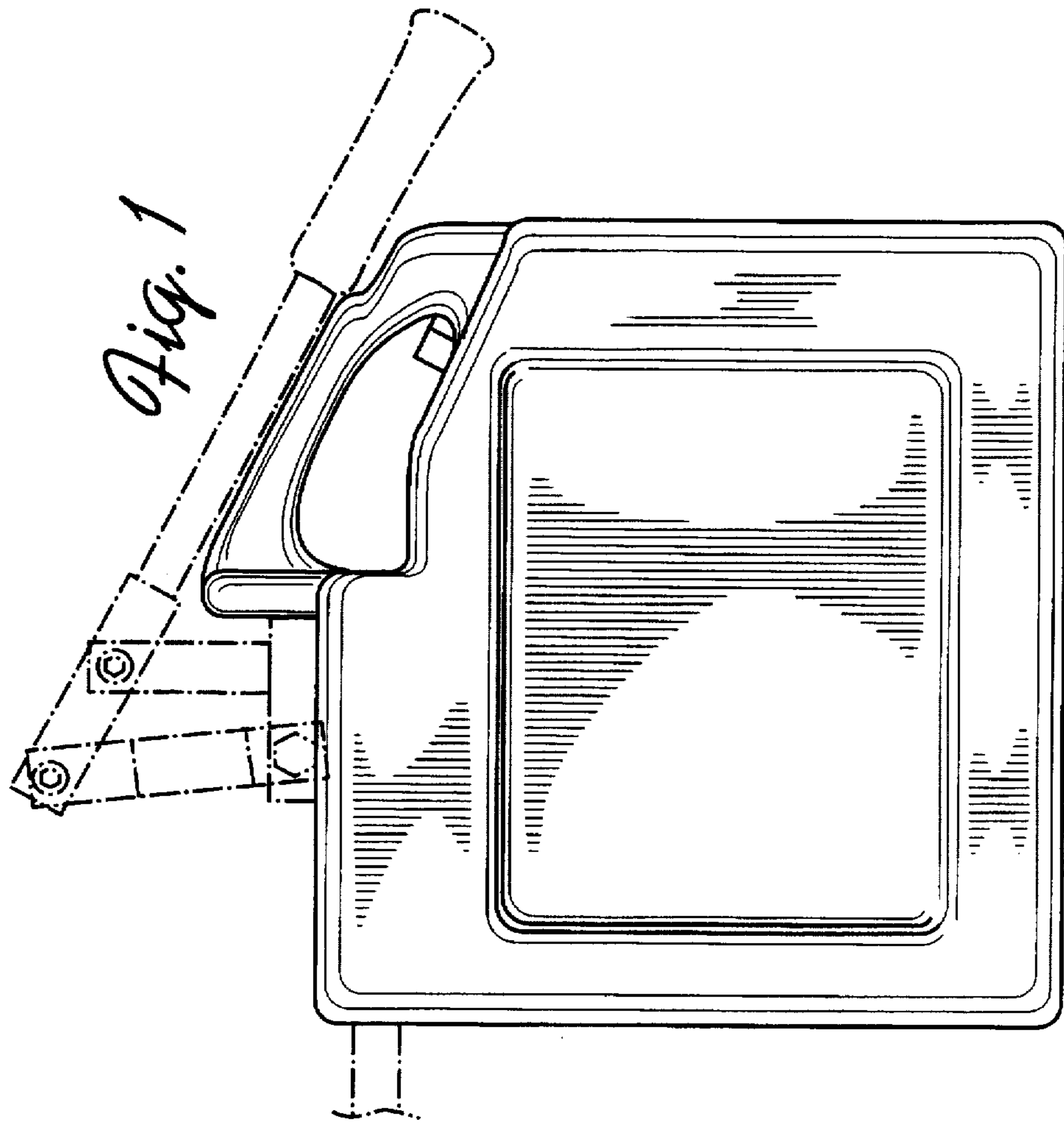
The ornamental design for a tank for a portable pump, as shown and described.

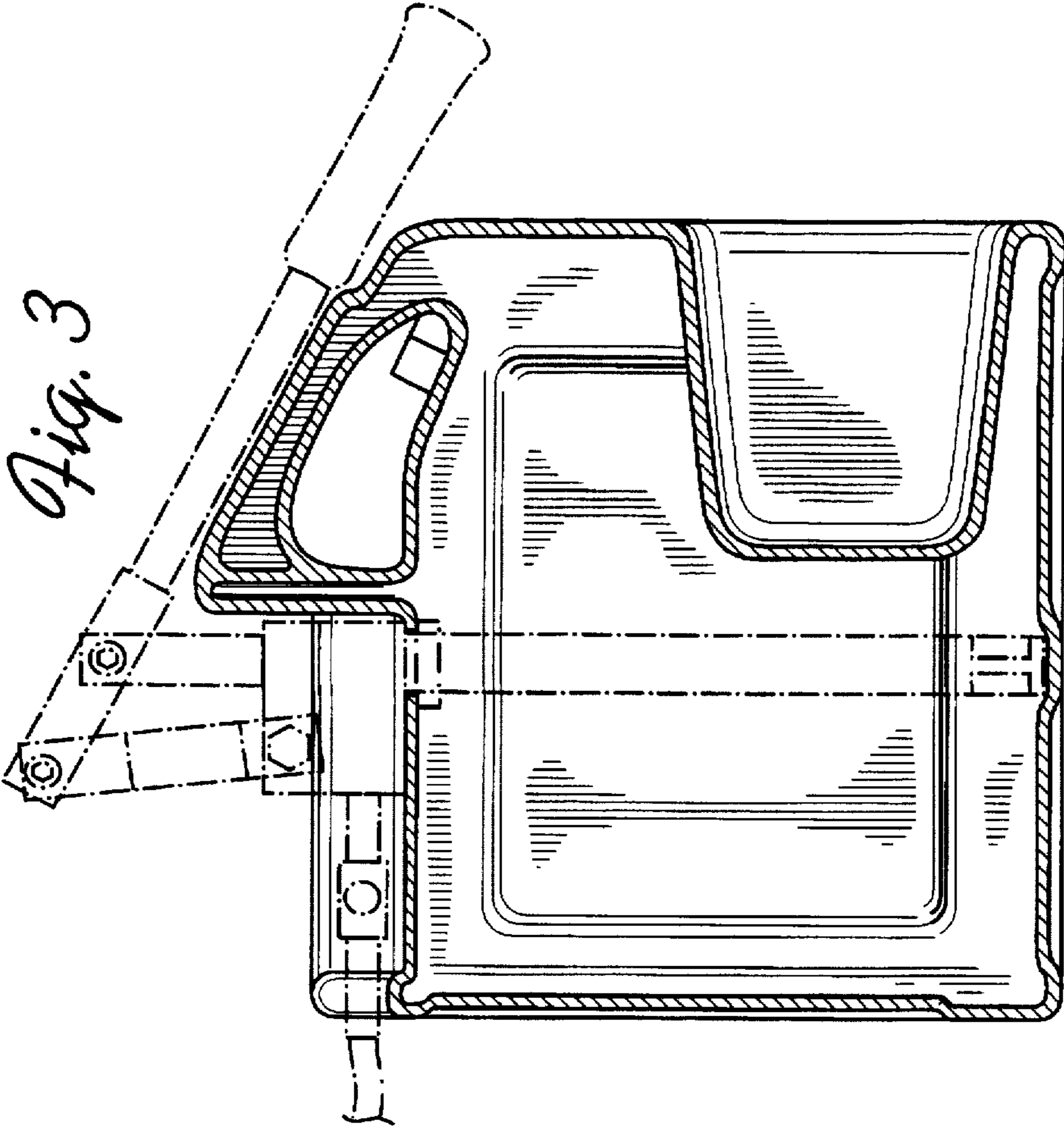
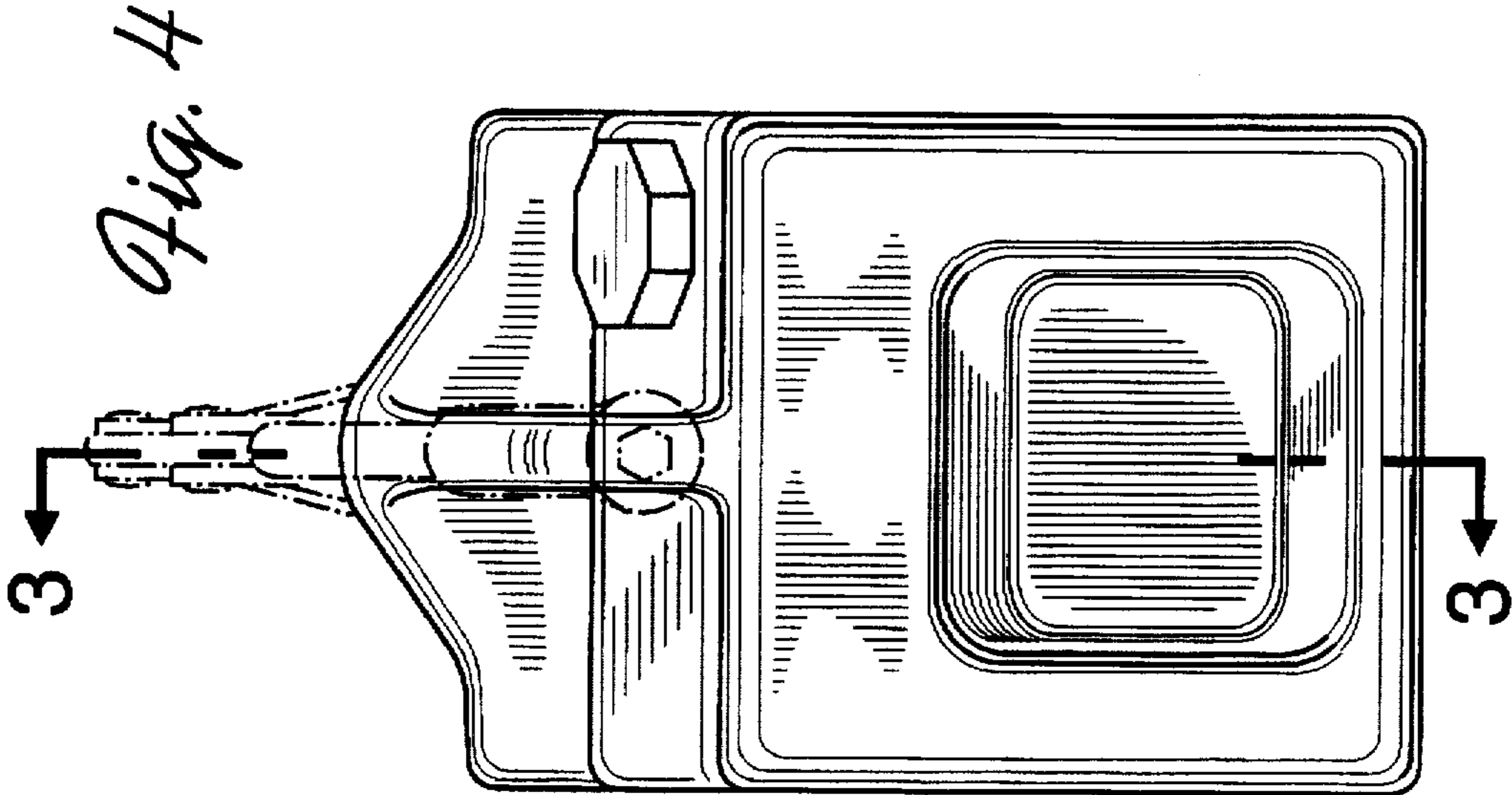
DESCRIPTION

FIG. 1 is a side elevational view of one side of a tank for a portable pump, showing my new design;
FIG. 2 is a front elevational view thereof;
FIG. 3 is a sectional view taken along line 3—3 of FIG. 4, showing the recessed top and bottom surface;
FIG. 4 is a rear elevational view thereof;
FIG. 5 is a side elevational view thereof, opposite that of FIG. 1;
FIG. 6 is a top plan view thereof;
FIG. 7 is a bottom plan view thereof; and,
FIG. 8 is a perspective view thereof.
The broken line disclosing a handpump is for illustrative purposes only and forms no part of the claimed design.

1 Claim, 5 Drawing Sheets







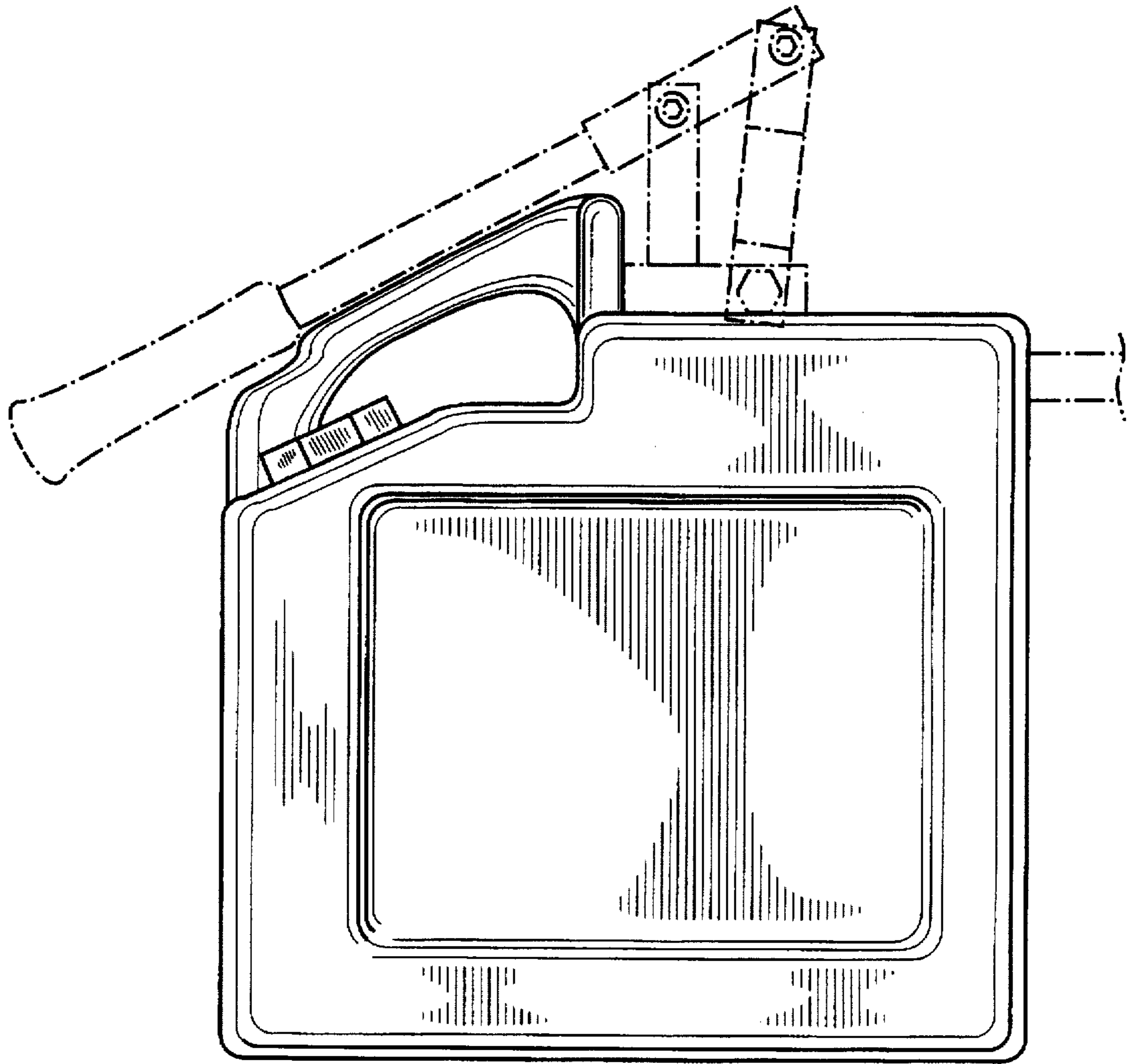


Fig. 5

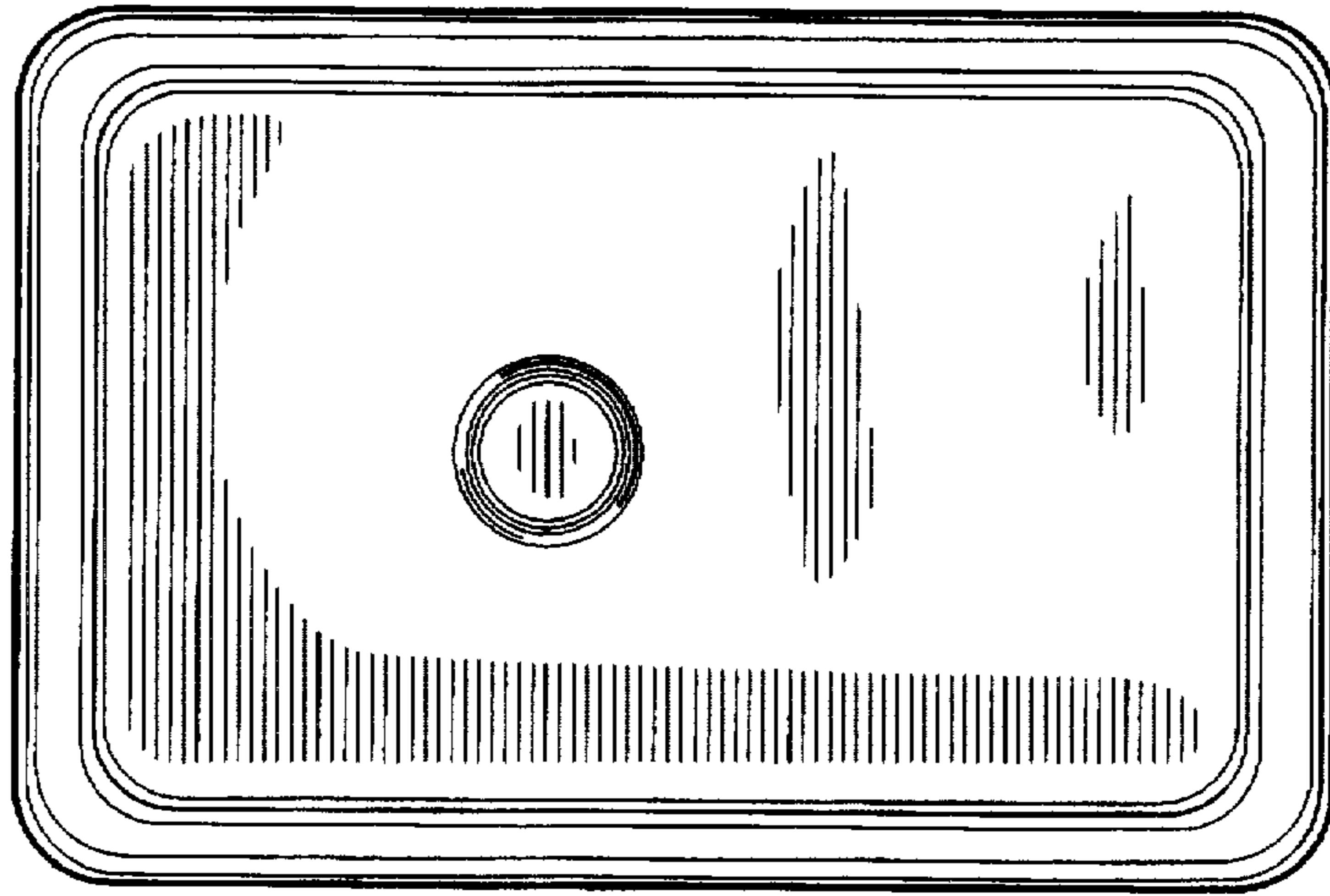


Fig. 7

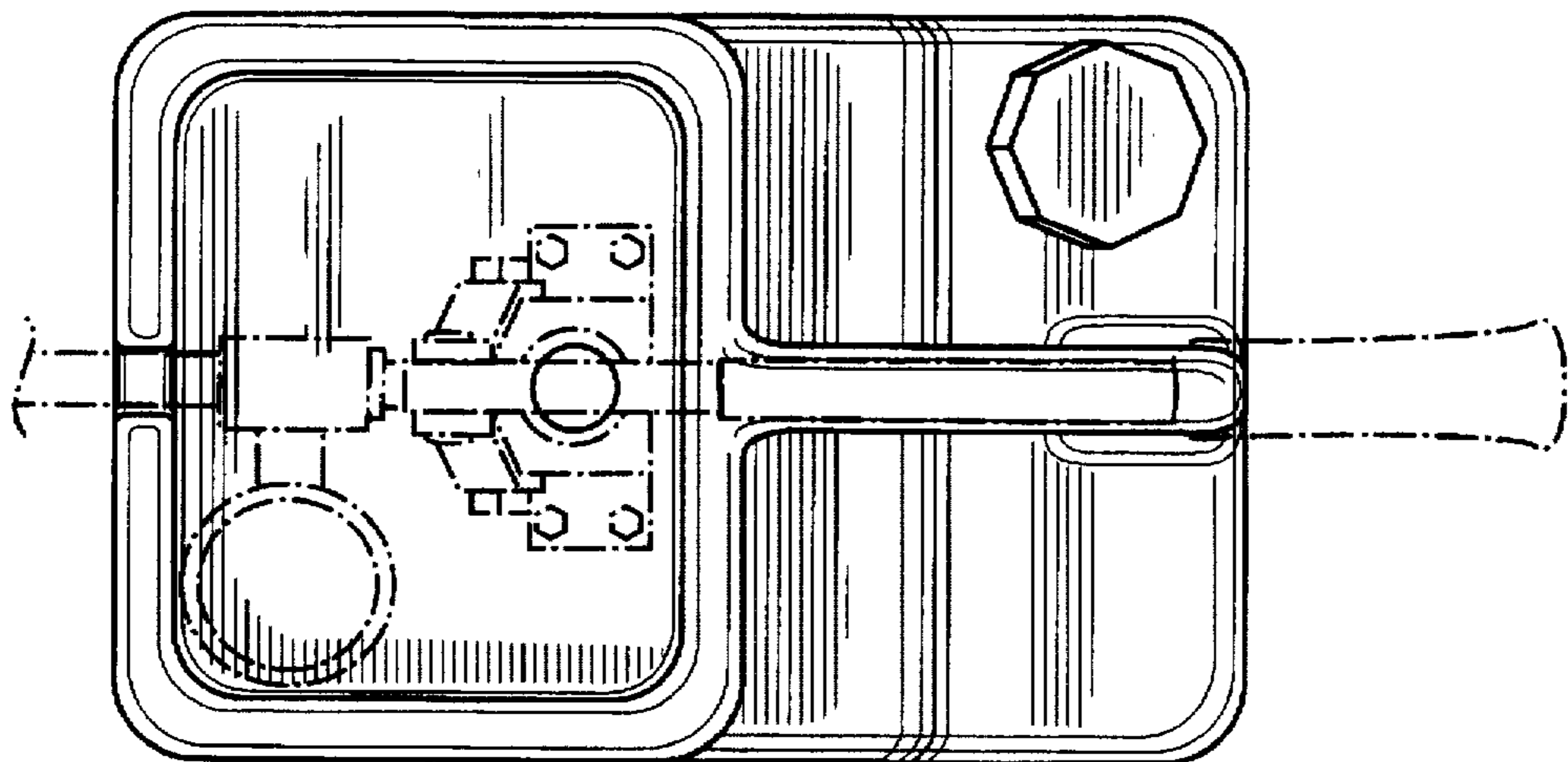


Fig. 6

Fig. 8

