

US00D386239S

United States Patent [19]

Dennis

[11] Patent Number: **Des. 386,239**

[45] Date of Patent: ****Nov. 11, 1997**

[54] **TABLETOP FOUNTAIN**

4,413,778 11/1983 Middlemiss 239/17
5,367,805 11/1994 Bates 239/20

[75] Inventor: **Raymal Dennis**, 23 E. Belle Dr., Northlake, Ill. 60164

Primary Examiner—Alan P. Douglas
Assistant Examiner—Robin V. Taylor
Attorney, Agent, or Firm—Michael, Best & Friedrich

[73] Assignee: **Raymal Dennis**, Northlake, Ill.

[**] Term: **14 Years**

[57] **CLAIM**

[21] Appl. No.: **58,490**

The ornamental design for a tabletop fountain, as shown and described.

[22] Filed: **Aug. 16, 1996**

DESCRIPTION

[51] LOC (6) Cl. **23-01**

[52] U.S. Cl. **D23/201; D11/149**

[58] Field of Search D23/200, 201, D23/212, 238, 239; D11/143, 149; 239/16, 17, 21, 20, 22, 23

FIG. 1 is a left side perspective view of a tabletop fountain showing my new design, the broken line showing of foliage is for illustrative purposes only and forms no part of the claimed design;

FIG. 2 is a left side plan view of the design shown in FIG. 1;

FIG. 3 is a front side view of the design shown in FIG. 1;

FIG. 4 is a right side view of the design shown in FIG. 1;

FIG. 5 is a rear view of the design shown in FIG. 1;

FIG. 6 is a top plan view of the design shown in FIG. 1; and,

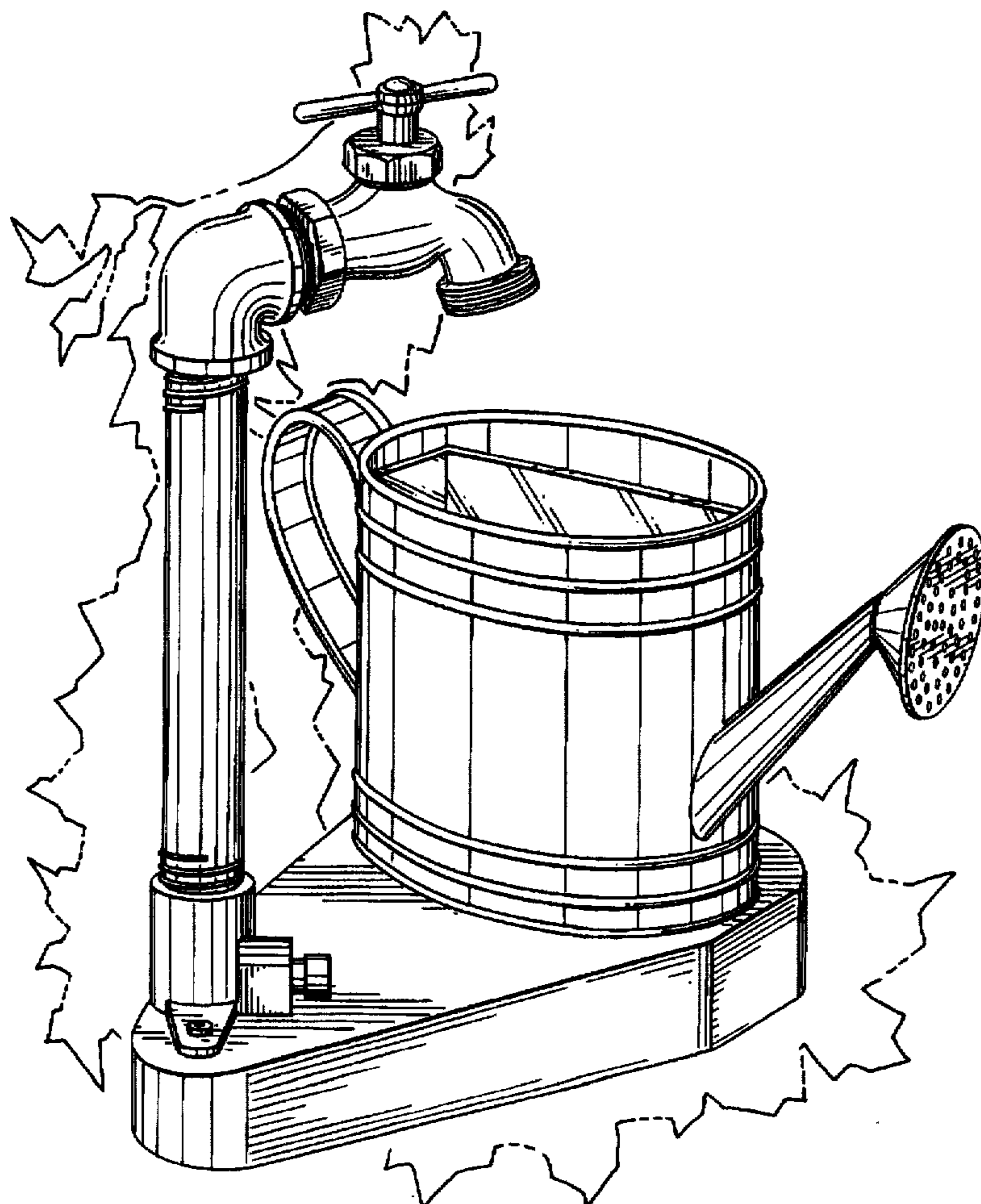
FIG. 7 is a bottom view of the design shown in FIG. 1.

[56] **References Cited**

U.S. PATENT DOCUMENTS

D. 56,774	12/1920	Sroka	D23/212
D. 197,169	12/1963	Kaufman	D23/201
D. 221,755	9/1971	Johnson	D23/201
D. 373,615	9/1996	Crowel	D23/201
4,281,794	8/1981	Dimino	239/23

1 Claim, 6 Drawing Sheets



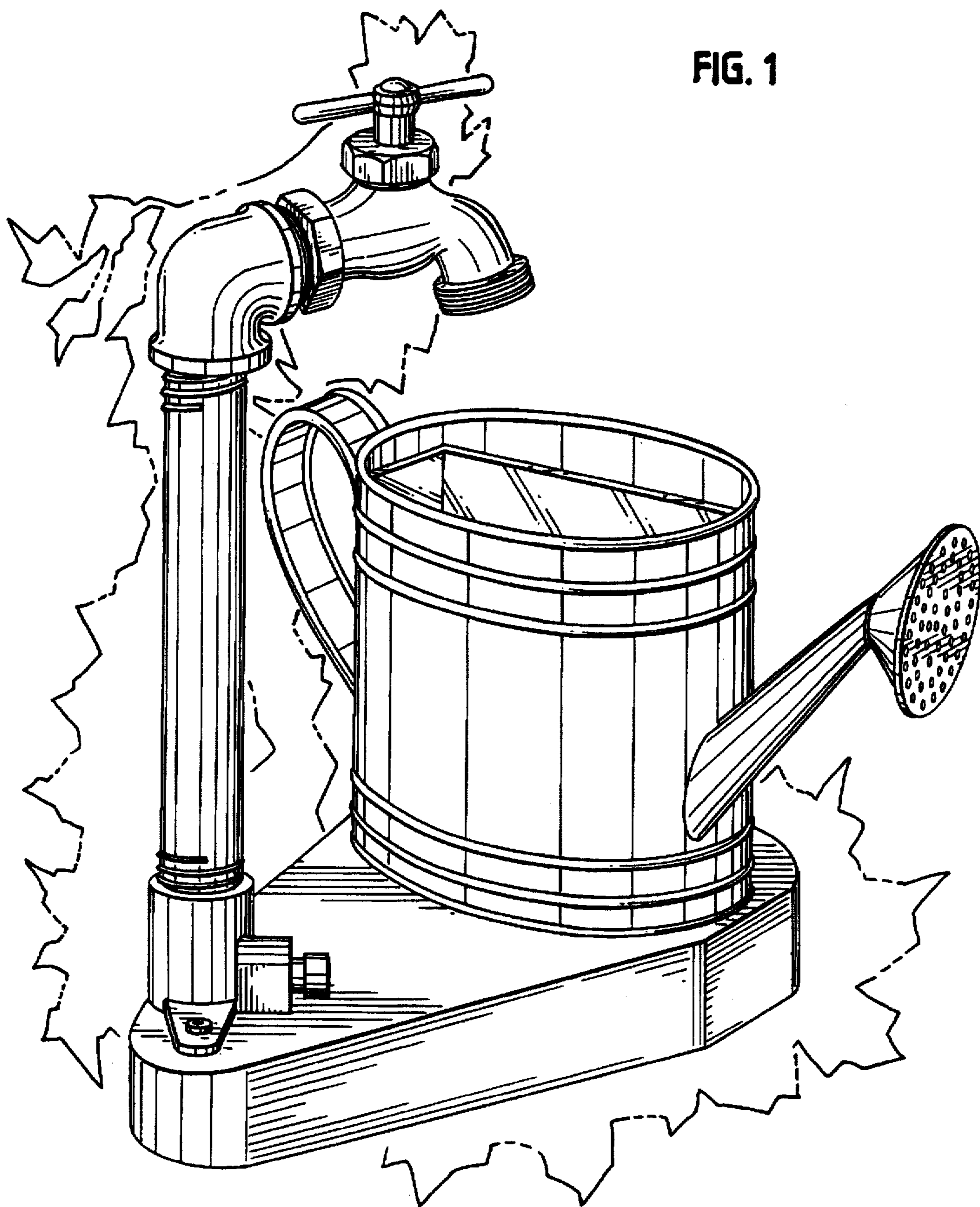


FIG. 1

FIG. 2

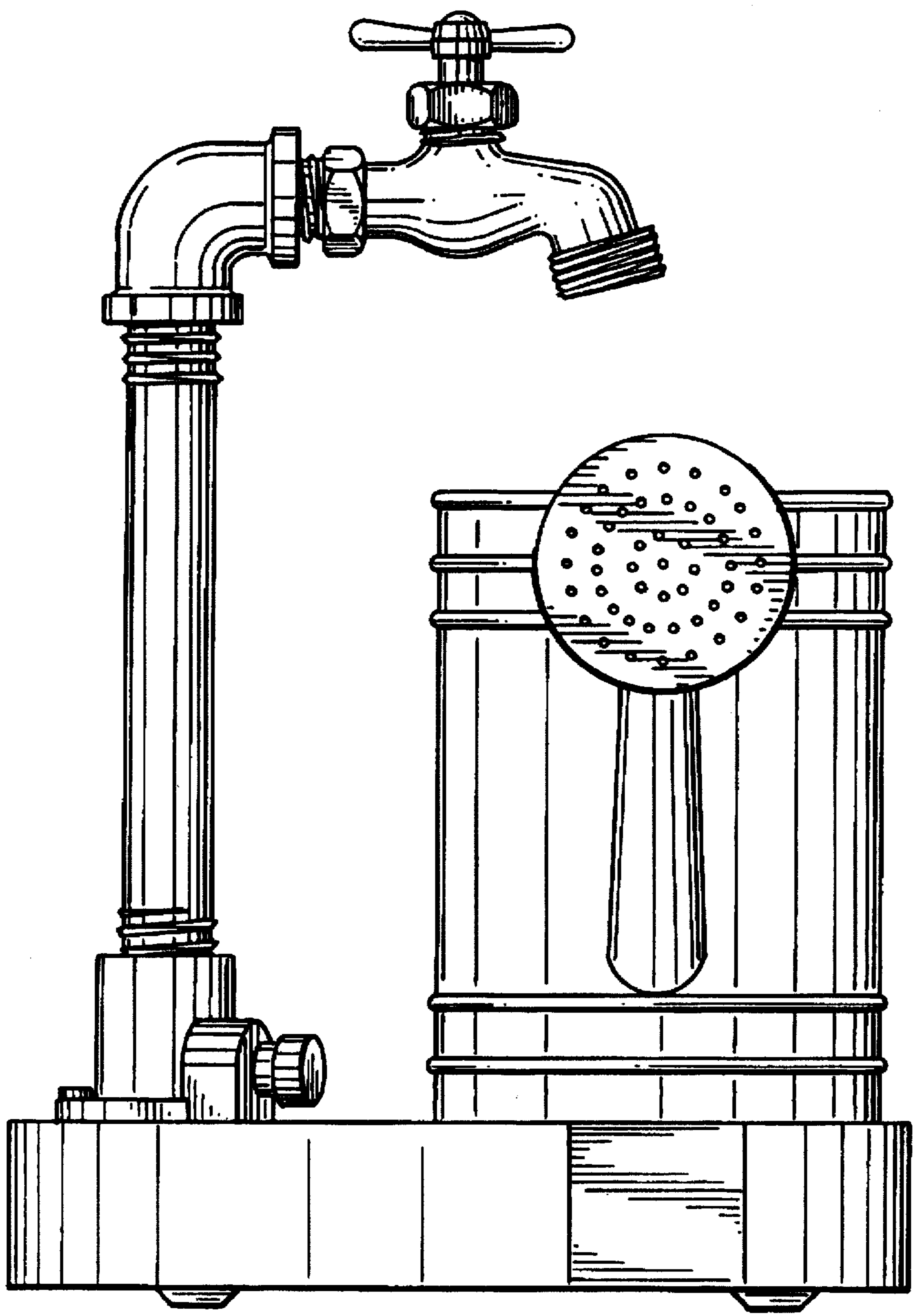


FIG. 3

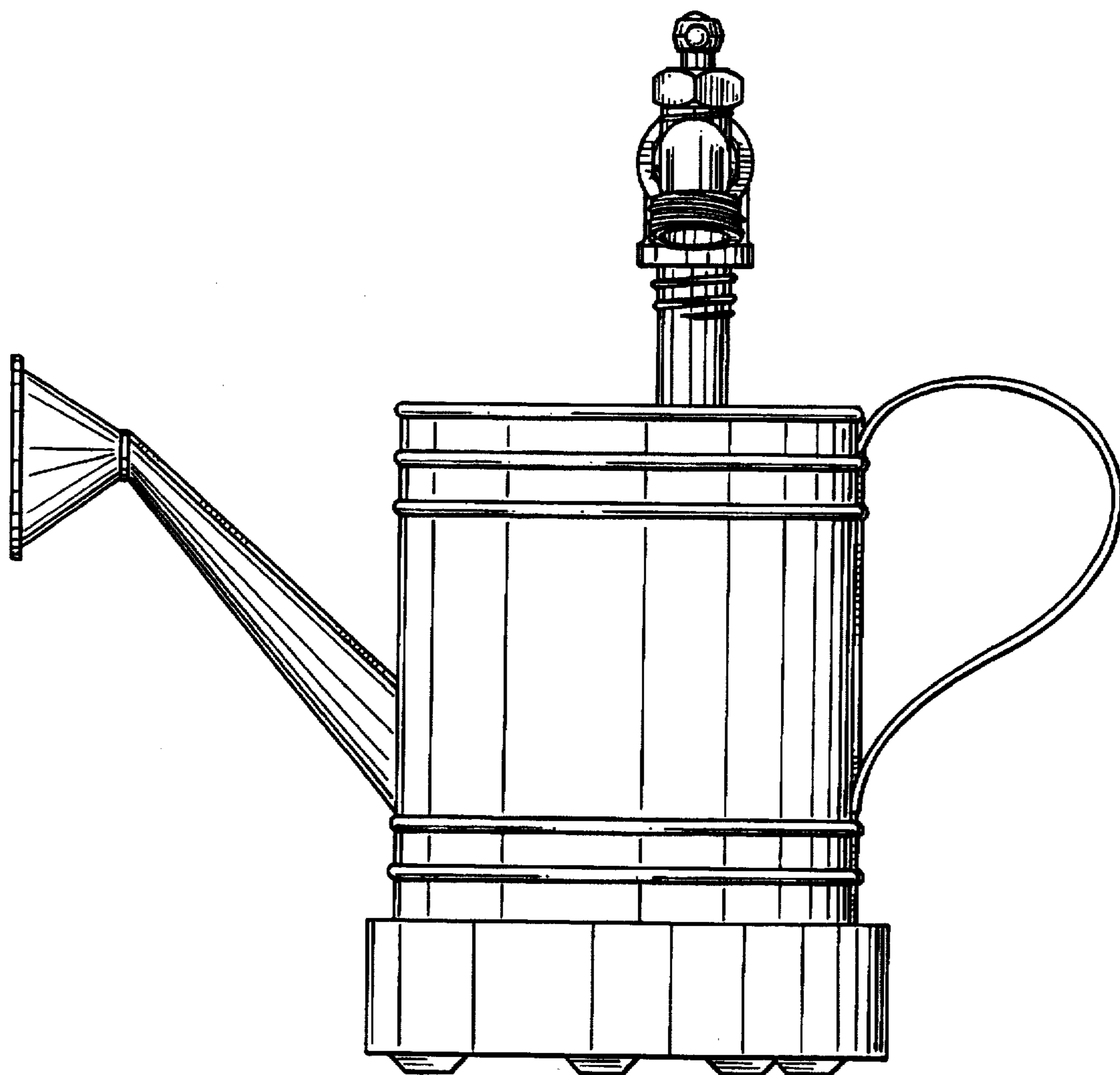


FIG. 4

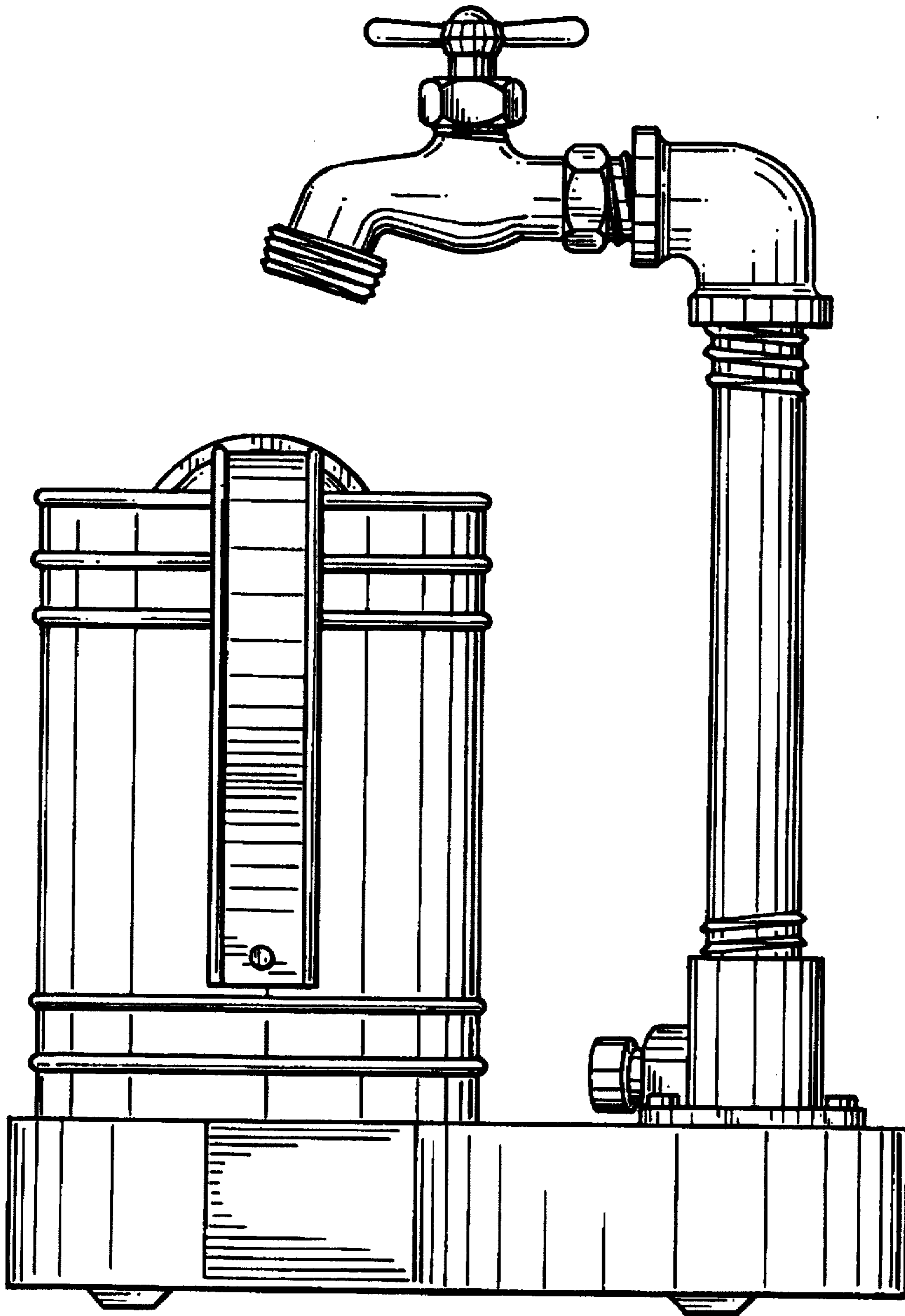
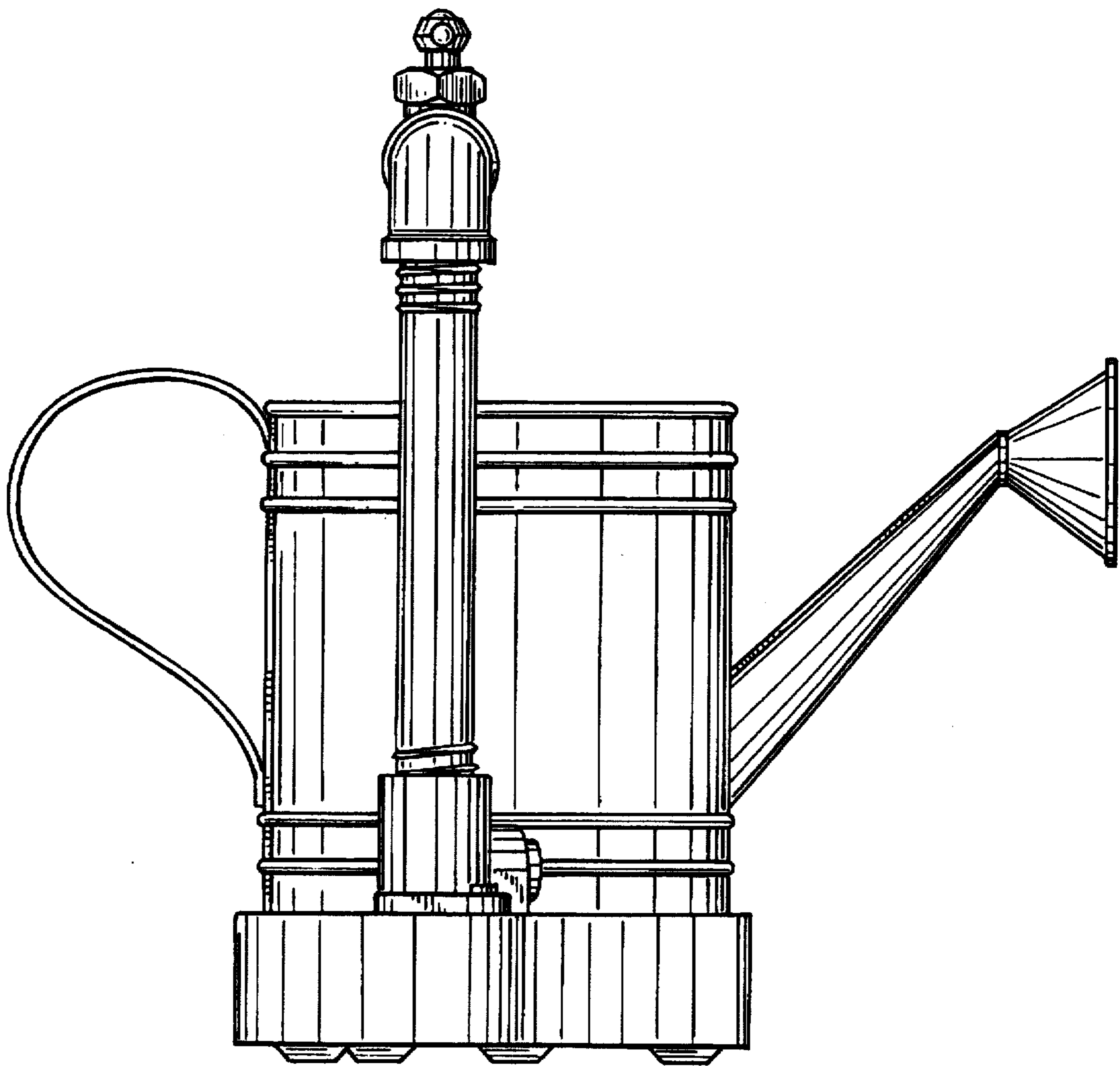


FIG. 5



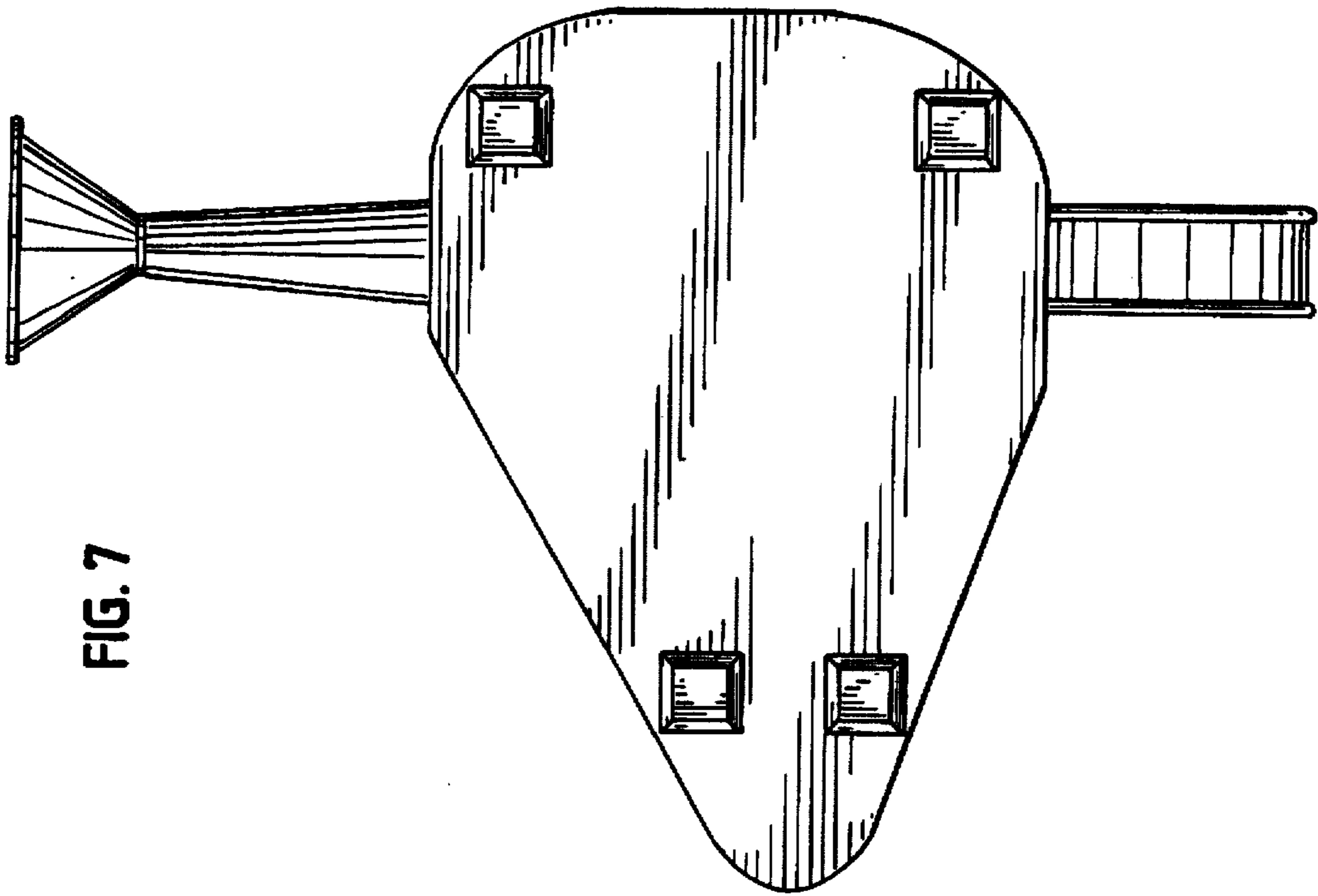


FIG. 7

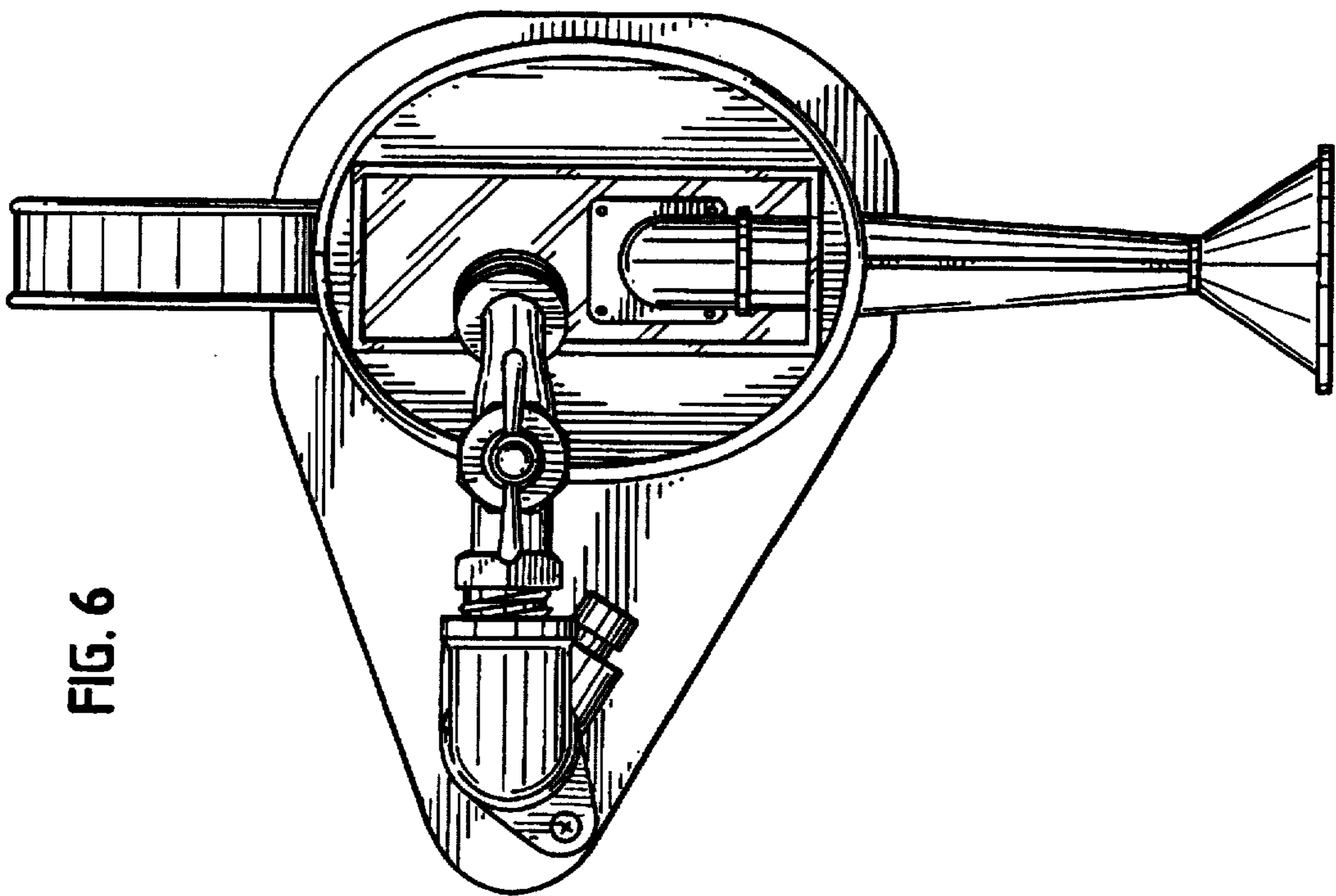


FIG. 6