

US00D386233S

United States Patent [19]
Fahy et al.

[11] **Patent Number: Des. 386,233**
[45] **Date of Patent: **Nov. 11, 1997**

[54] **GOLF PUTTER HEAD**

[76] **Inventors: William J. Fahy; Timothy F. Fahy,**
both of 128 Oklahoma Ave., Oriskany,
N.Y. 13424

[**] **Term: 14 Years**

[21] **Appl. No.: 55,079**

[22] **Filed: May 29, 1996**

[51] **LOC (6) Cl. 21-02**

[52] **U.S. Cl. D21/219**

[58] **Field of Search D21/217-219;**
473/340, 341, 251-256

[56] **References Cited**

U.S. PATENT DOCUMENTS

- D. 253,957 1/1980 Yates .
- D. 256,264 8/1980 Solheim .
- D. 313,451 1/1991 Shearer D21/219
- D. 318,088 7/1991 Antonious D21/219
- D. 322,829 12/1991 Antonious D21/219
- D. 323,866 2/1992 Hamilton .
- D. 325,950 5/1992 Duran D21/219

- D. 339,396 9/1993 Roberto .
- D. 340,753 10/1993 Miesch D21/219
- D. 355,009 1/1995 Pagani .
- 4,508,350 4/1985 Duclos 473/254

Primary Examiner—Raphael Barkai
Assistant Examiner—Mitchell I. Siegel
Attorney, Agent, or Firm—Larson & Taylor

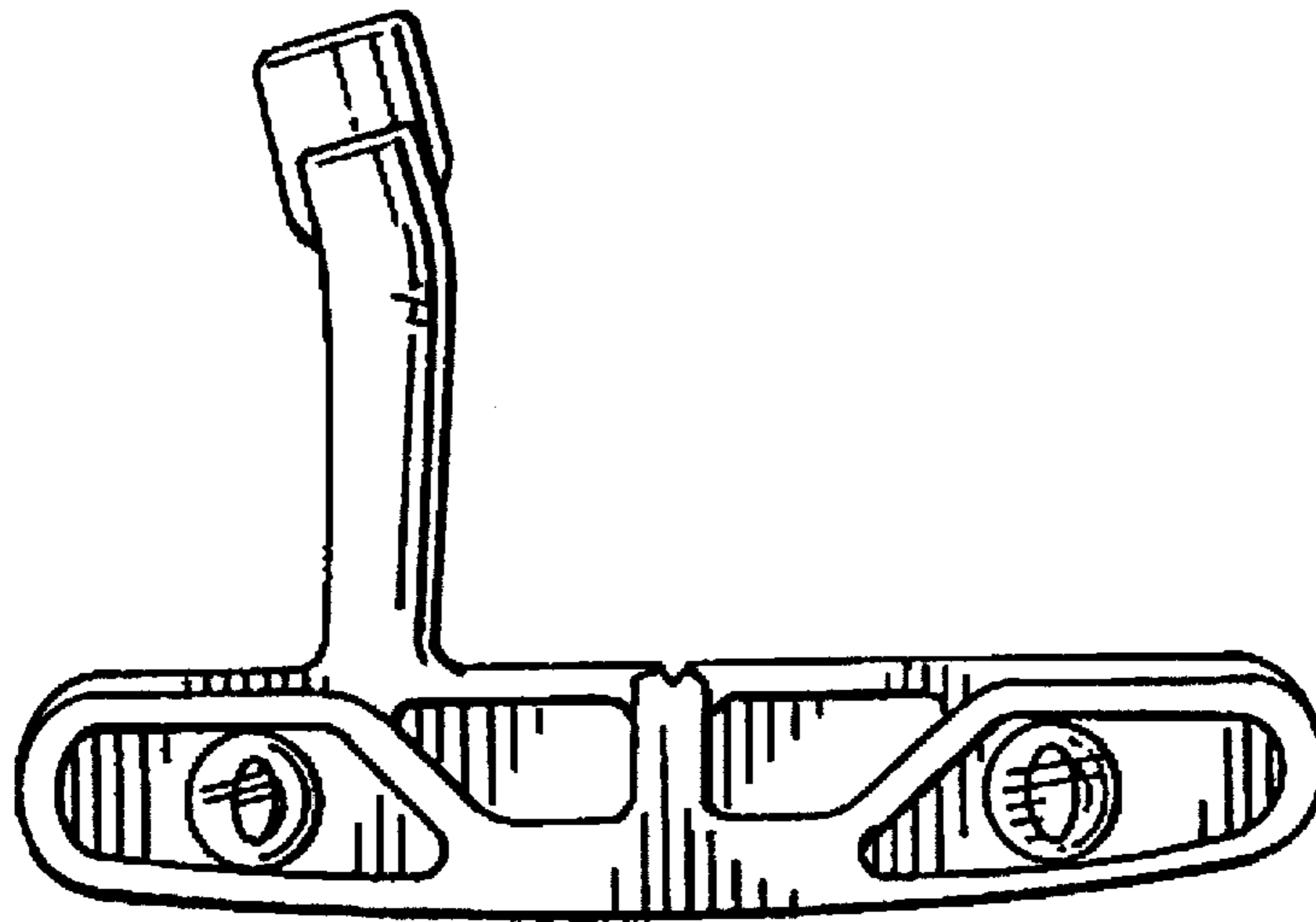
[57] **CLAIM**

The ornamental design for a golf putter head, as shown and described.

DESCRIPTION

FIG. 1 is rear elevational view of the golf putter head embodying my new design;
FIG. 2 is a view of the face of the golf putter head of FIG. 1;
FIG. 3 is a top plan view of the golf putter head of FIG. 1;
FIG. 4 is a bottom plan view of the golf putter head of FIG. 1; and,
FIG. 5 is a front end view of the golf putter head in FIG. 1; and,
FIG. 6 is a rear end view of the golf putter head in FIG. 1.

1 Claim, 2 Drawing Sheets



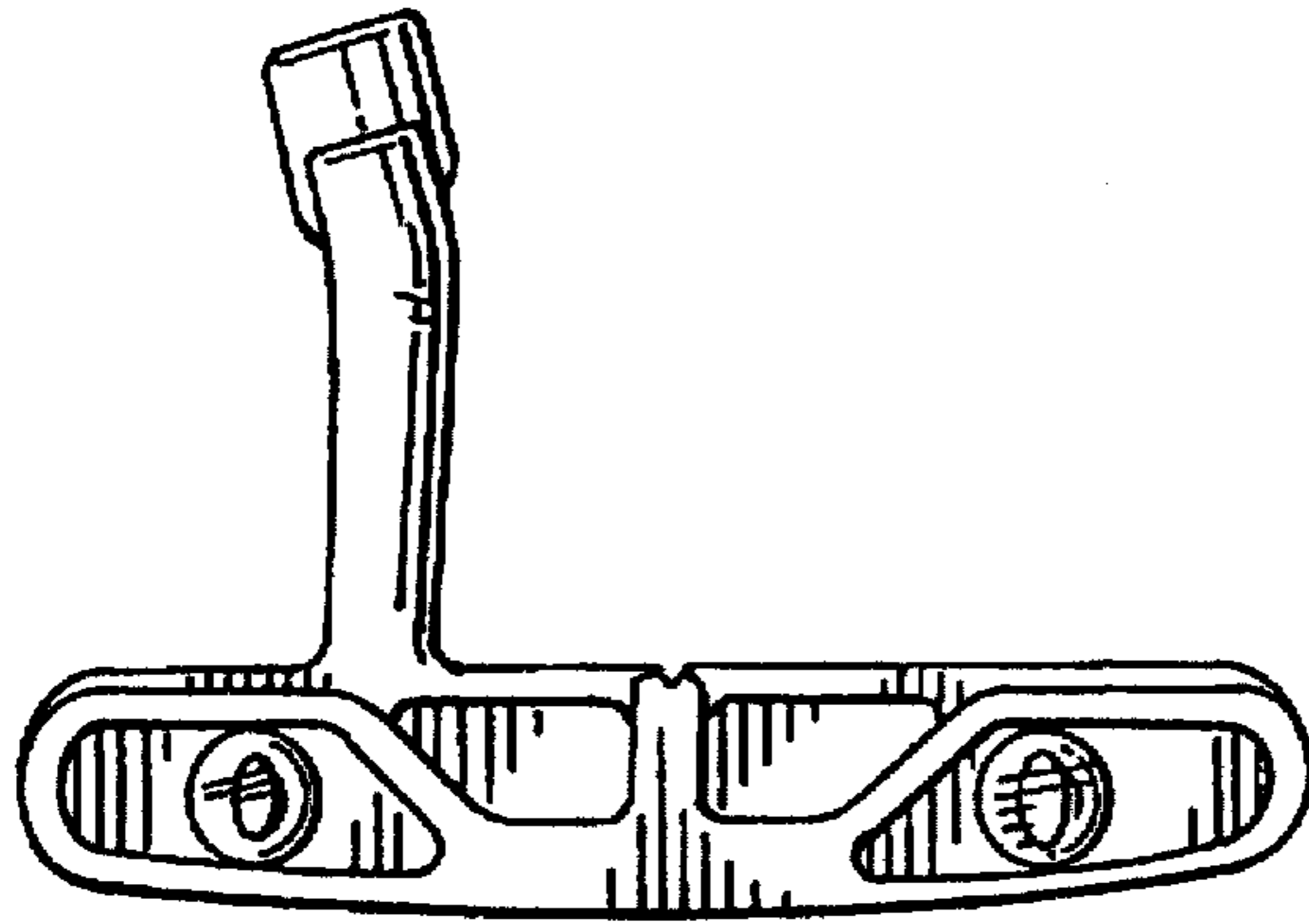


Fig. 1

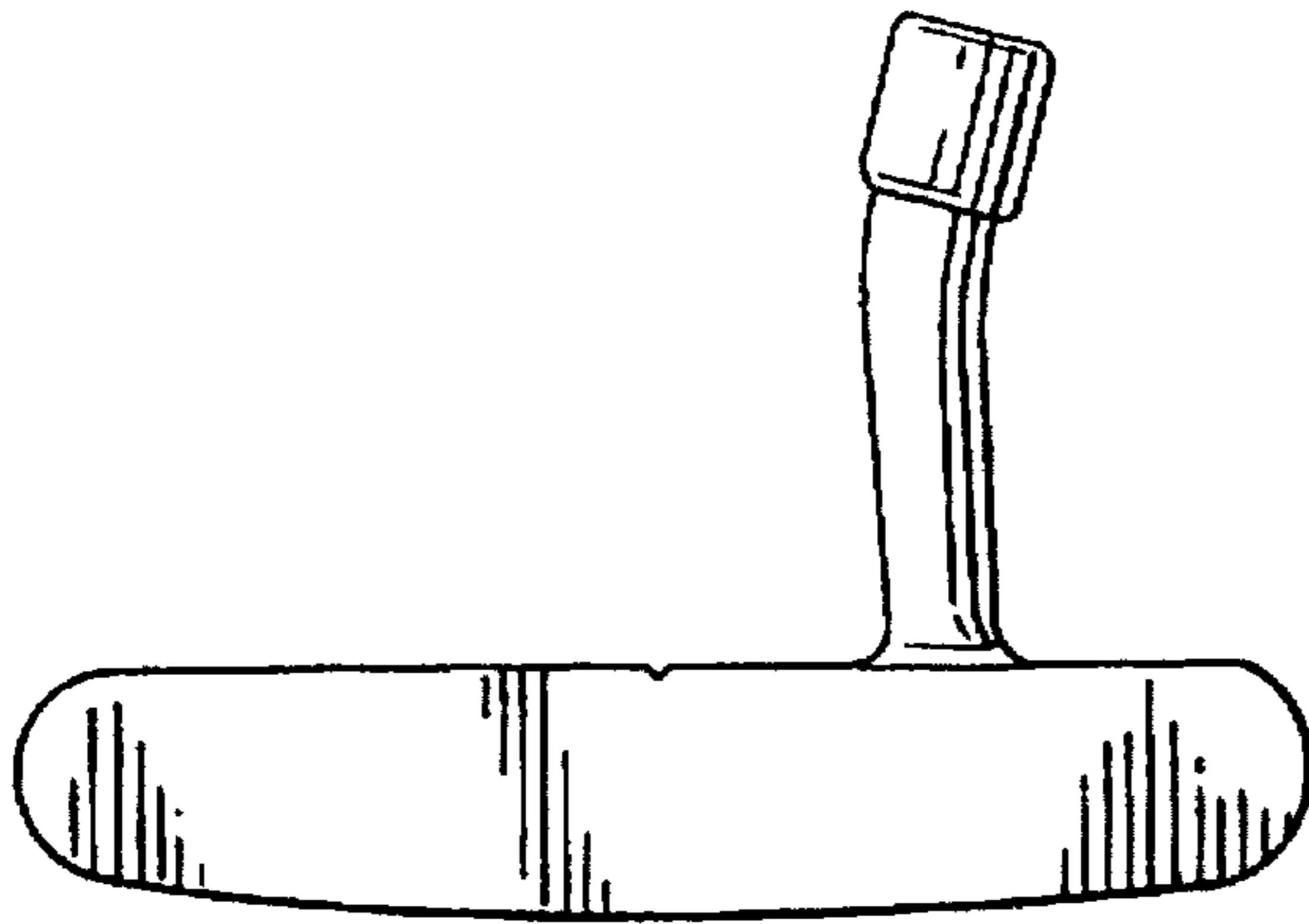


Fig. 2

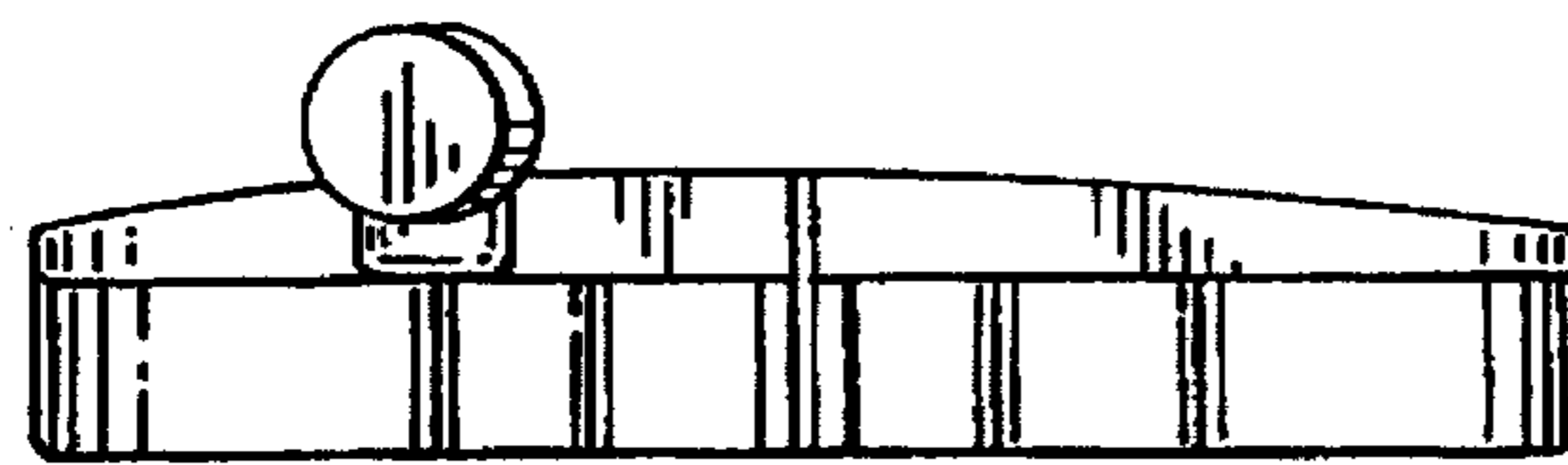


Fig. 3

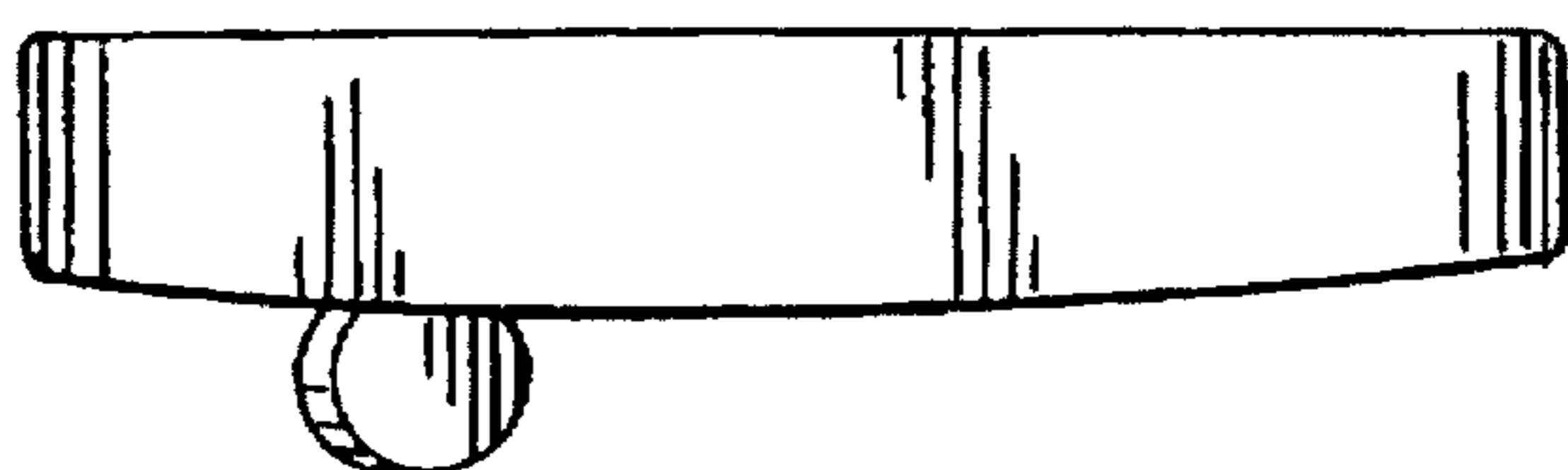


Fig. 4

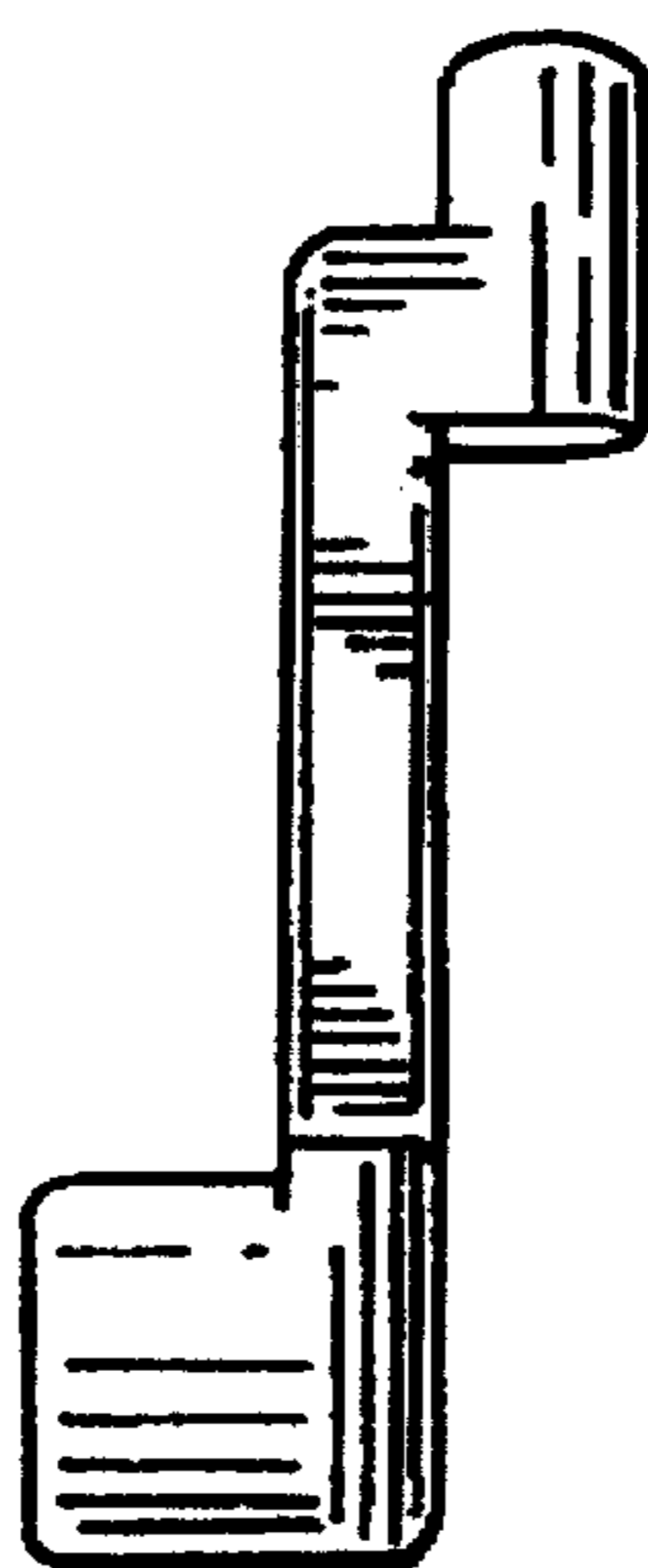


Fig. 5

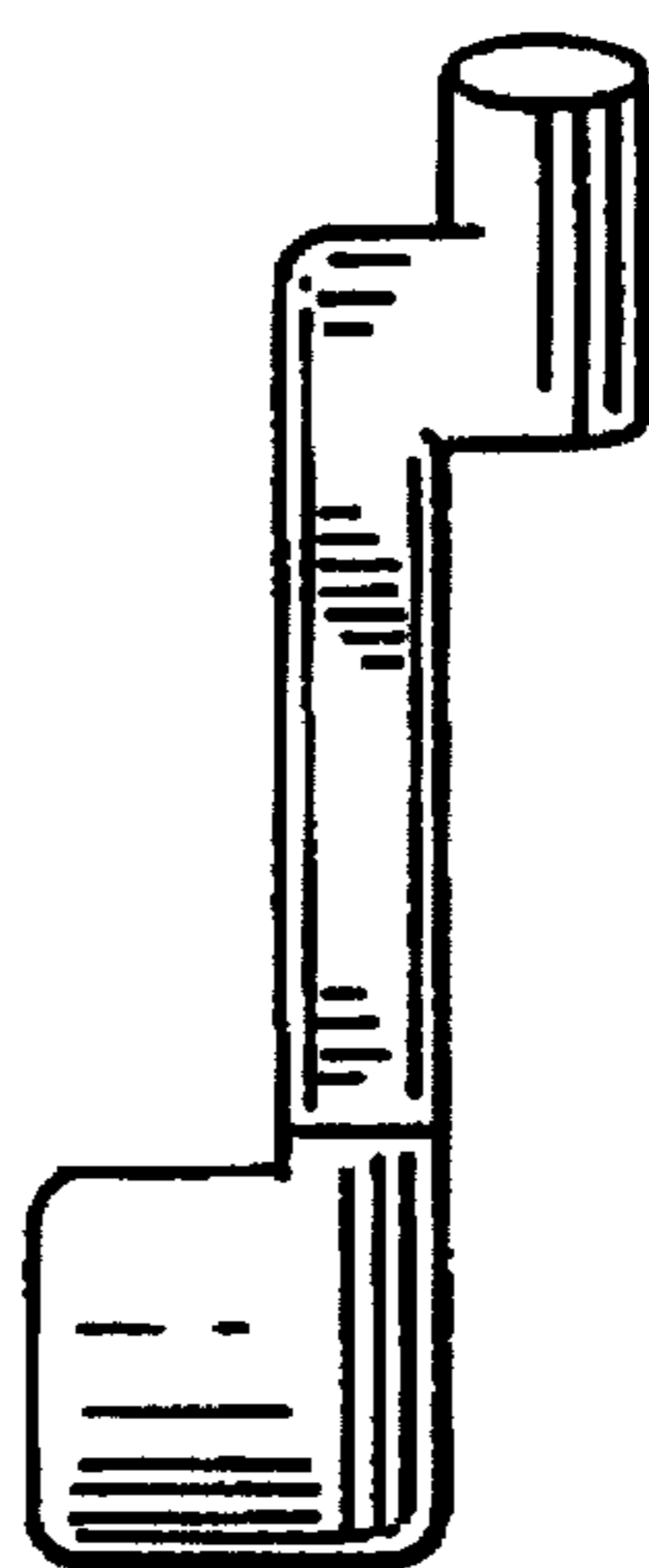


Fig. 6