



US00D386226S

United States Patent [19]

Chen et al.

[11] Patent Number: **Des. 386,226**

[45] Date of Patent: ****Nov. 11, 1997**

[54] **EXERCISE APPARATUS**

[75] Inventors: **Timothy W. Chen, Dallas; Robert Morgan, Carrollton; Karen Bucaro-Udowitch, Plano, all of Tex.**

[73] Assignee: **Keys Fitness Products, Inc., Dallas, Tex.**

[**] Term: **14 Years**

[21] Appl. No.: **64,263**

[22] Filed: **Nov. 22, 1996**

[51] LOC (6) Cl. **21-02**

[52] U.S. Cl. **D21/191**

[58] Field of Search **D21/191, 195, D21/198; 482/142, 140, 95, 96, 131, 132, 133**

[56] **References Cited**

U.S. PATENT DOCUMENTS

5,403,258 4/1995 Hill 482/140

5,492,520 2/1996 Brown 482/140
5,527,252 6/1996 Sather 482/142
5,591,111 1/1997 Wang et al. 482/140

Primary Examiner—Philip S. Hyder
Attorney, Agent, or Firm—Haynes and Boone, L.L.P.; Jeffrey M. Becker; Brandi W. Sarfatis

[57] **CLAIM**

The ornamental design for an exercise apparatus, as shown and described.

DESCRIPTION

FIG. 1 is a perspective view of an exercise apparatus showing my new design;

FIG. 2 is a front elevational view thereof;

FIG. 3 is a side elevational view thereof;

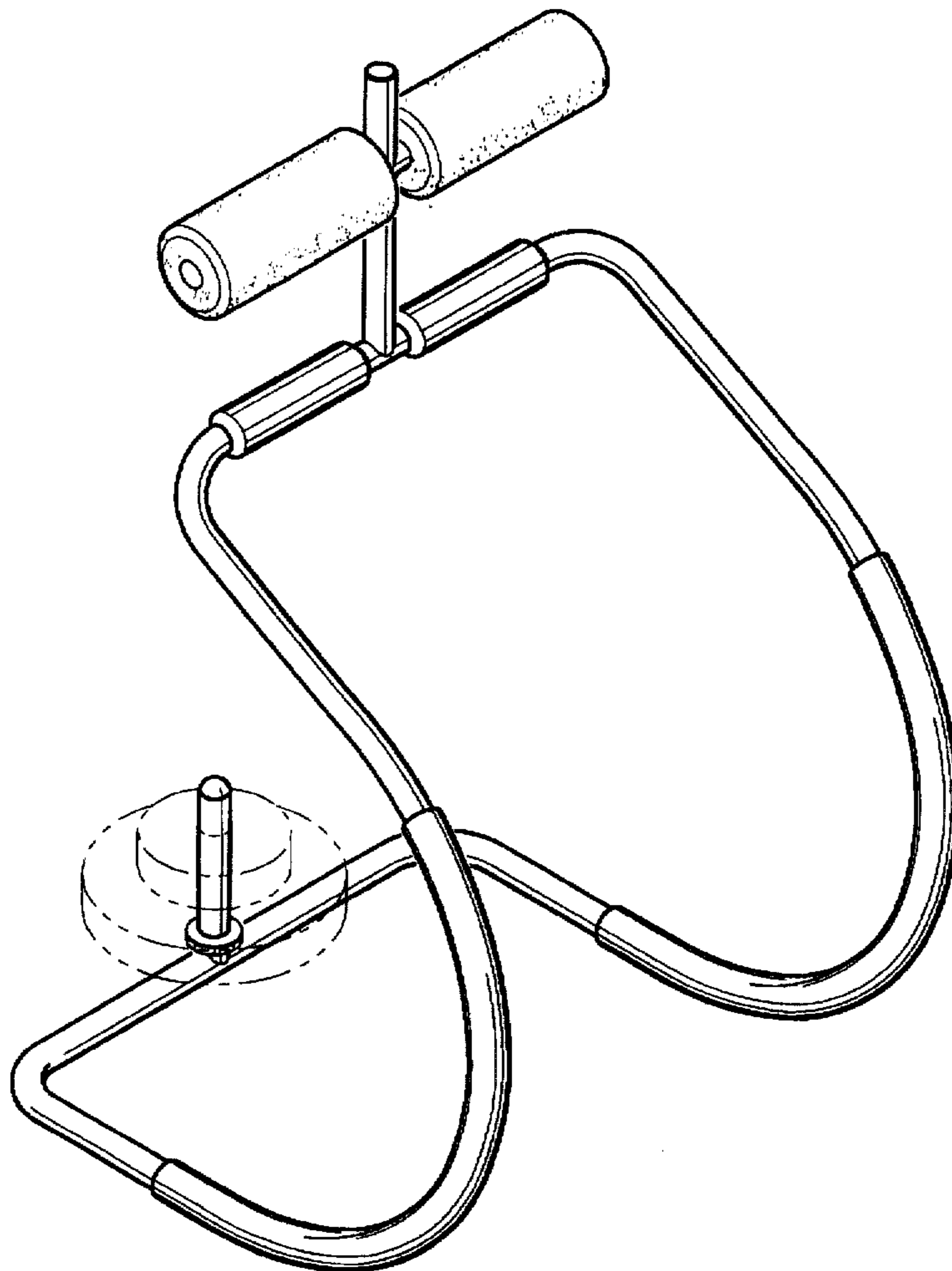
FIG. 4 is a rear elevational view thereof;

FIG. 5 is a top plan view thereof; and,

FIG. 6 is a bottom plan view thereof.

The broken line showing of the weights is for illustrative purposes only and forms no part of the claimed design.

1 Claim, 2 Drawing Sheets



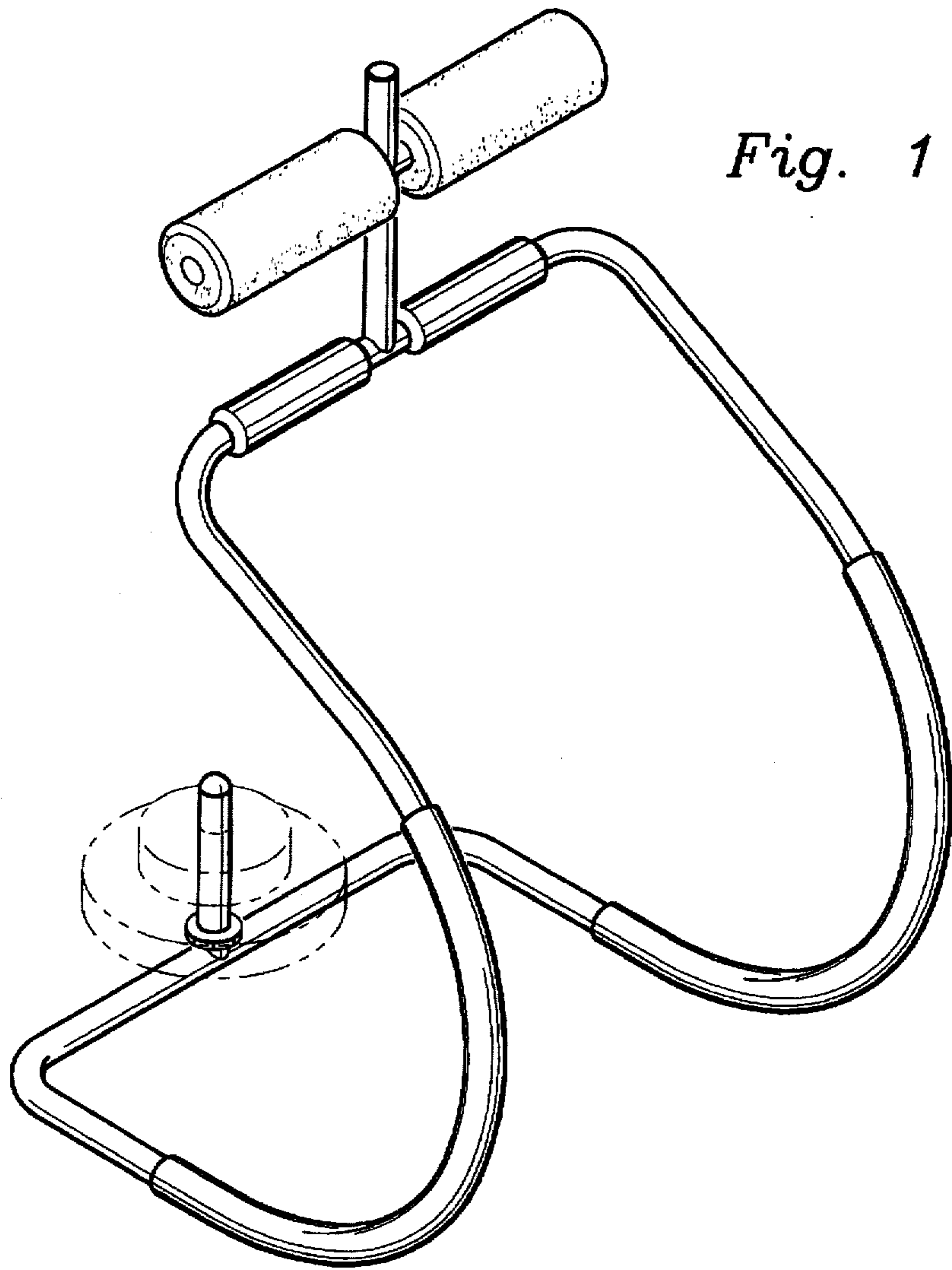


Fig. 1

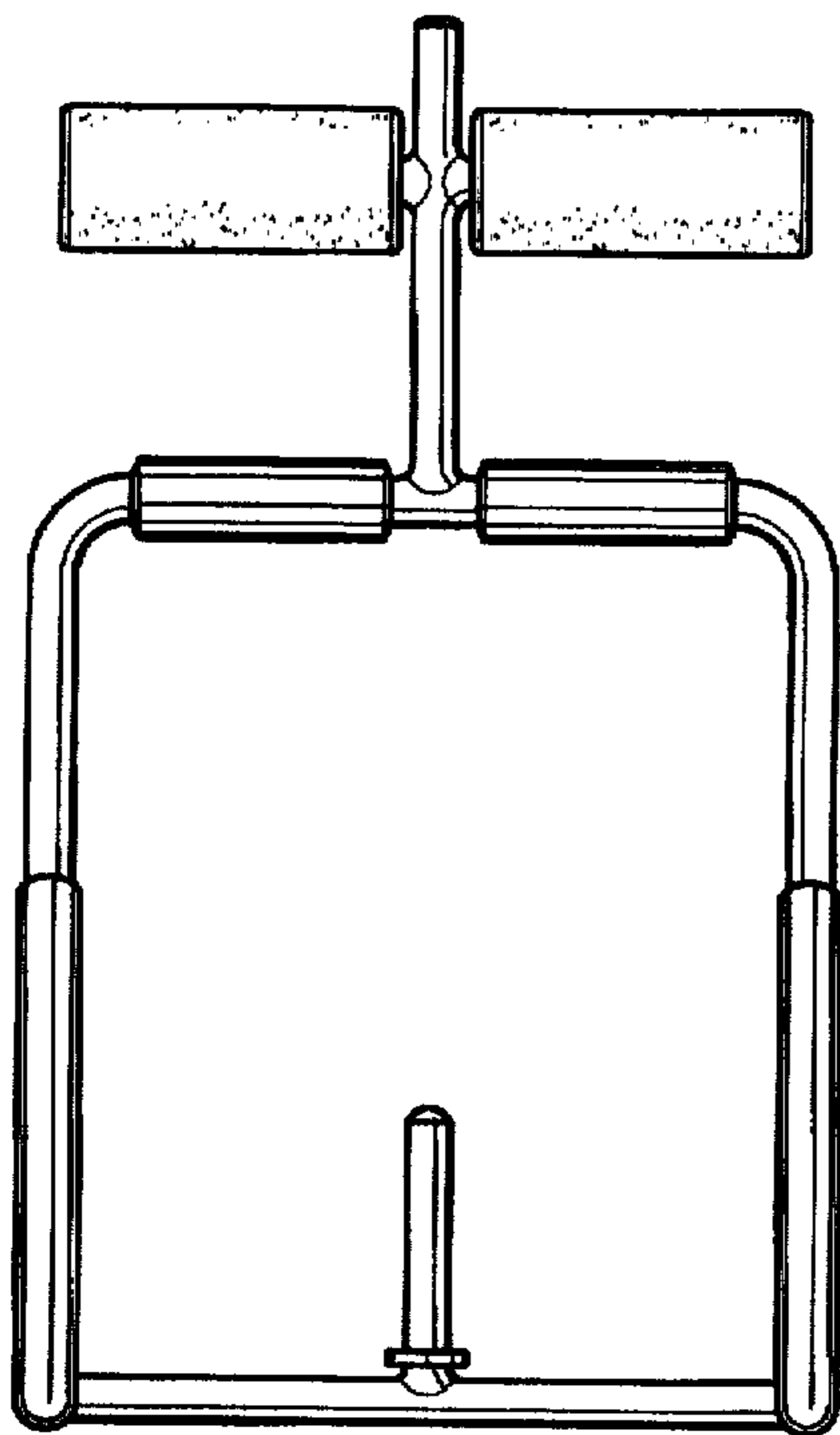


Fig. 2

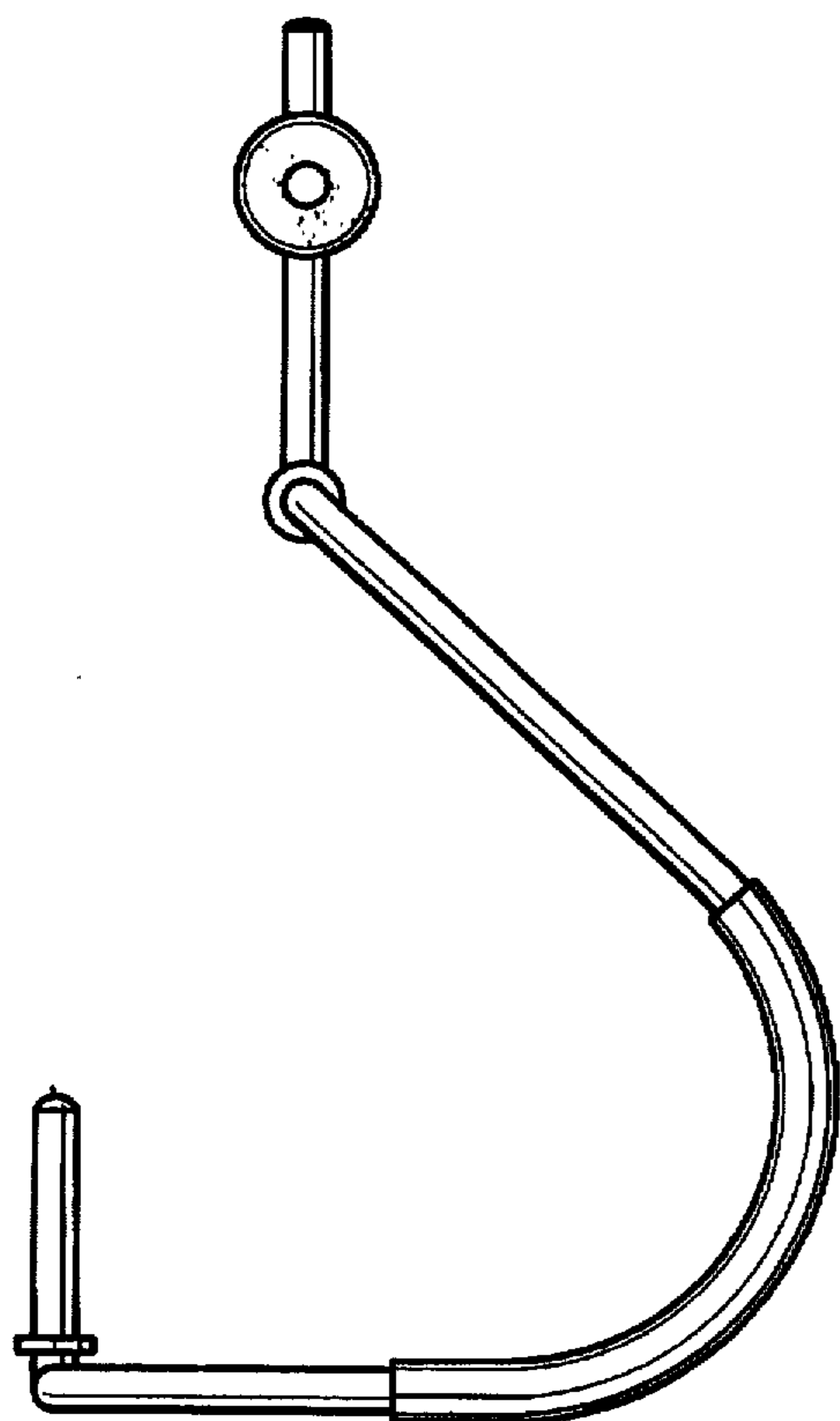


Fig. 3

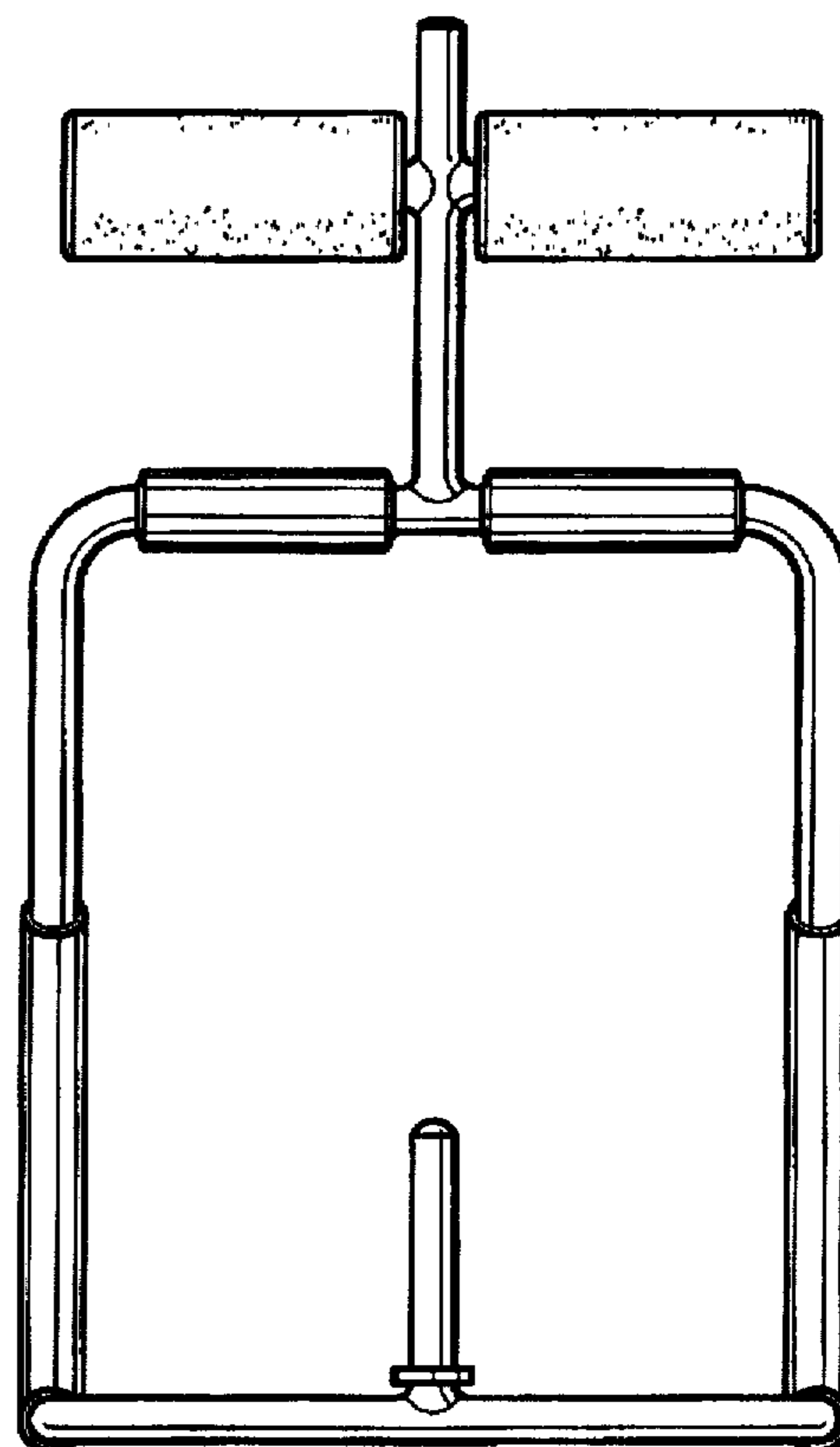


Fig. 4

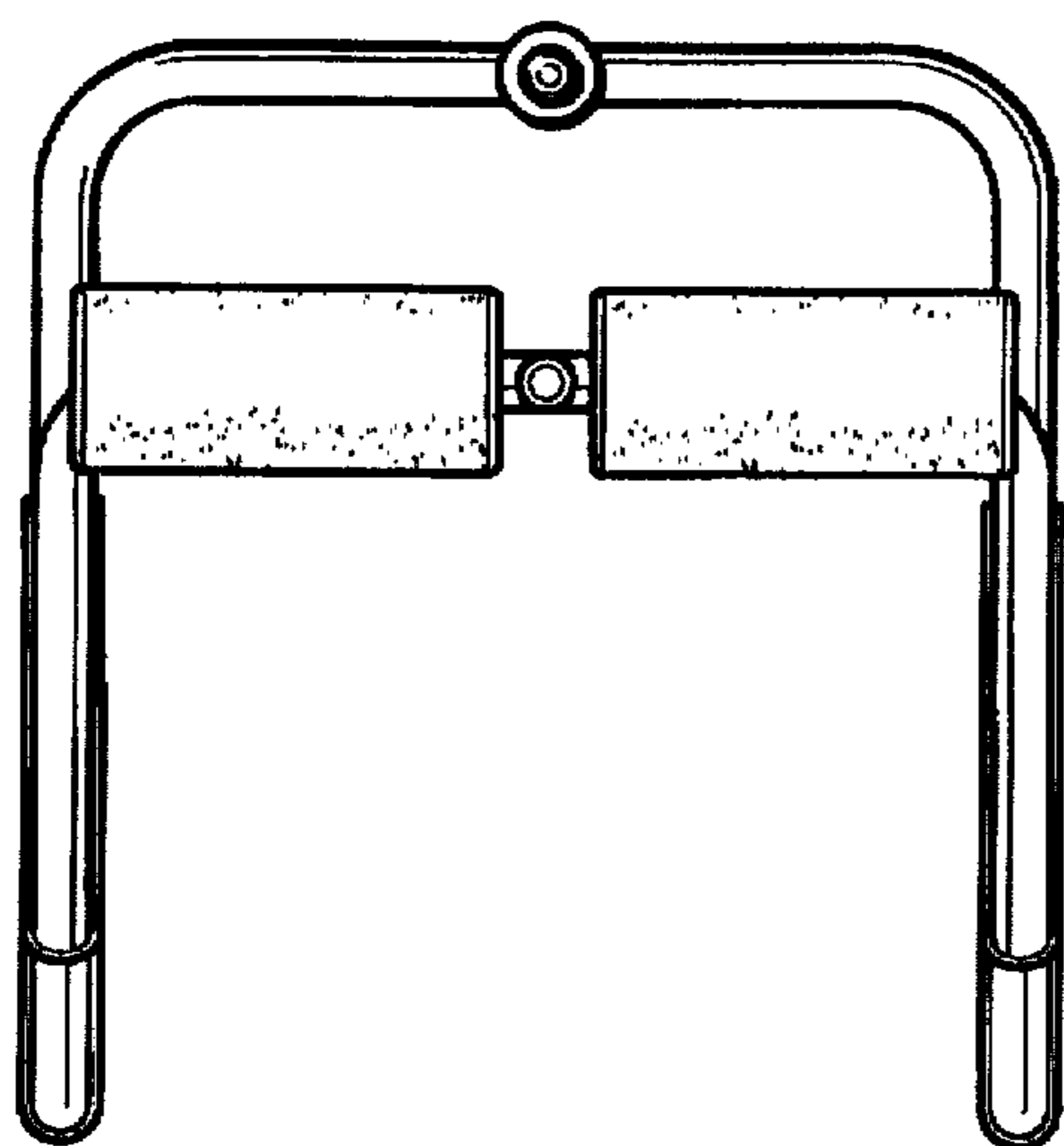


Fig. 5

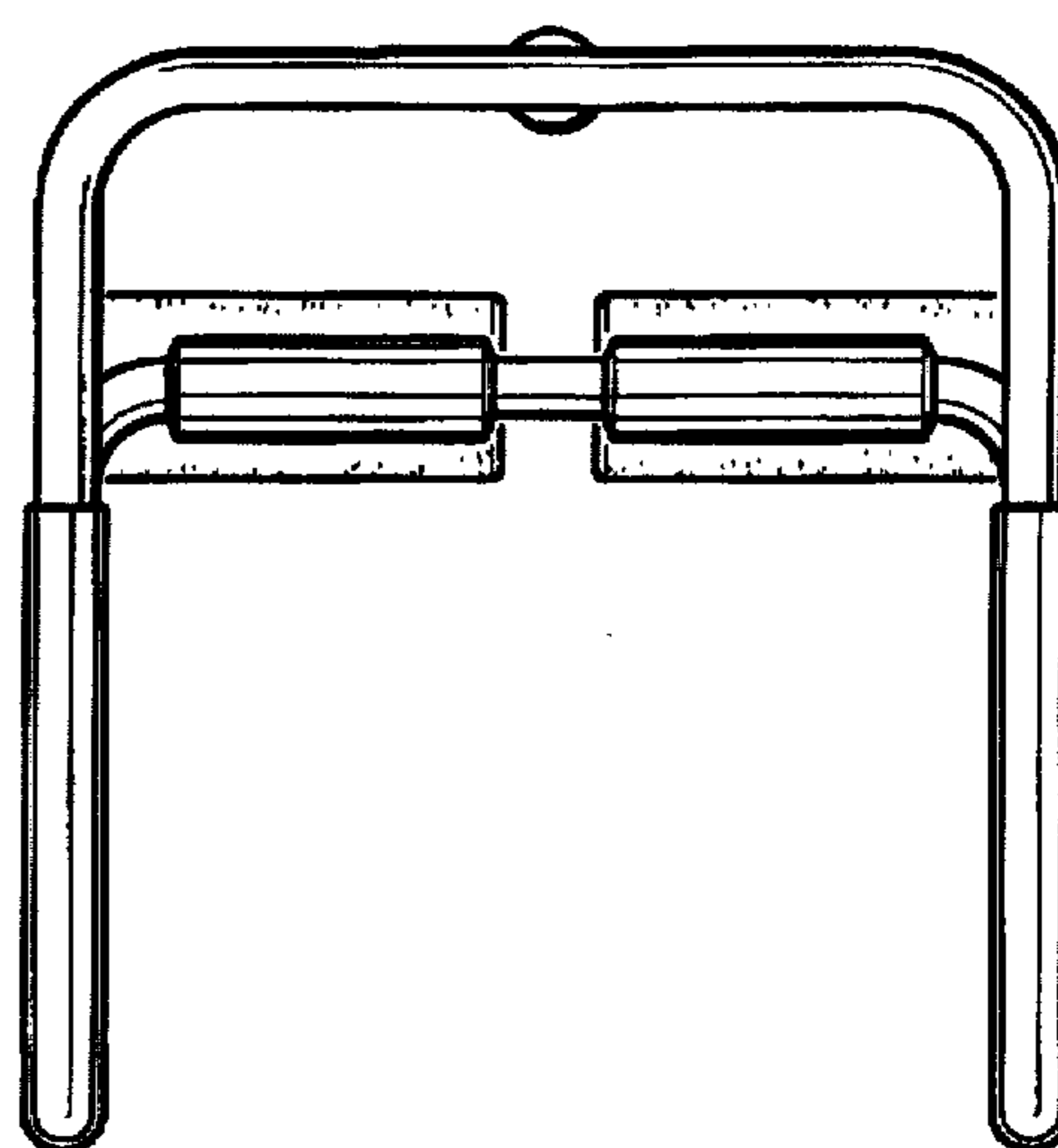


Fig. 6