



US00D386221S

United States Patent [19] Ybanez

[11] Patent Number: **Des. 386,221**
[45] Date of Patent: ****Nov. 11, 1997**

[54] ILLUMINATED DISC FLYER

[76] Inventor: **Steven R. Ybanez**, 120 Adam, New Braunfels, Tex. 78130

[**] Term: **14 Years**

[21] Appl. No.: **24,799**

[22] Filed: **Jun. 21, 1994**

[51] LOC (6) Cl. **21-01**

[52] U.S. Cl. **D21/86; D21/87**

[58] Field of Search **D21/86, 87; 446/46-48; 273/424**

[56] References Cited

U.S. PATENT DOCUMENTS

D. 260,786	9/1981	Chaklos	D21/86
D. 295,429	4/1988	Sandeen	D21/86
3,359,678	12/1967	Headrick	446/46
5,277,641	1/1994	Gable et al.	446/46

Primary Examiner—Dominic Simone
Attorney, Agent, or Firm—Richard C. Litman

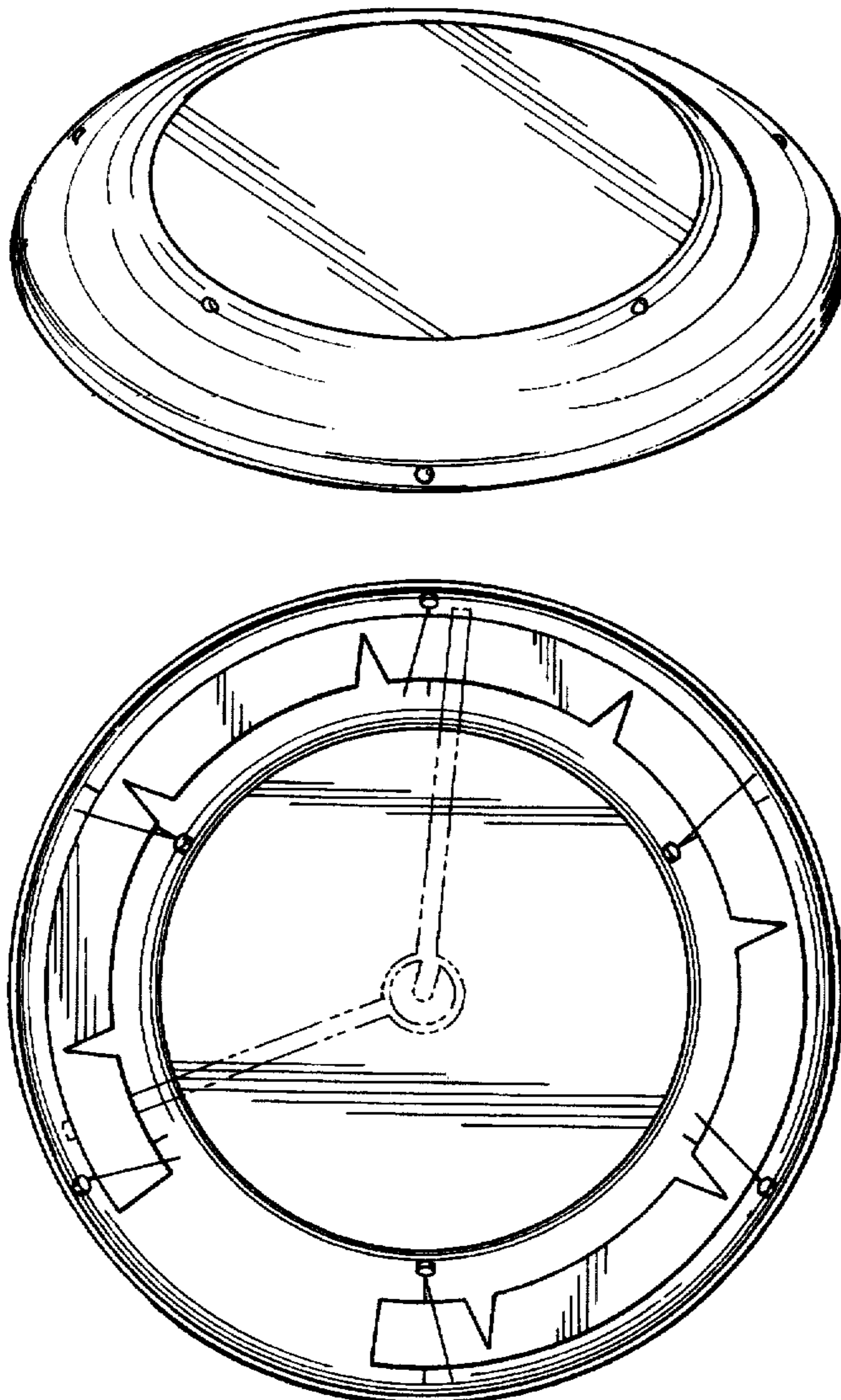
[57] CLAIM

The ornamental design for a illuminated disc flyer, as shown and described.

DESCRIPTION

FIG. 1 is a perspective view of an illuminated disc flyer showing my new design;
FIG. 2 is a top view thereof;
FIG. 3 is a bottom view thereof;
FIG. 4 is a front elevational view thereof;
FIG. 5 is a rear view thereof; and,
FIG. 6 is a left side elevational view with the right side being a mirror image rear view thereof.
The broken line showing of a battery, a battery holder, and electrical connections in FIG. 3 is for illustrative purposes only and forms no part of the claimed design.

1 Claim, 3 Drawing Sheets



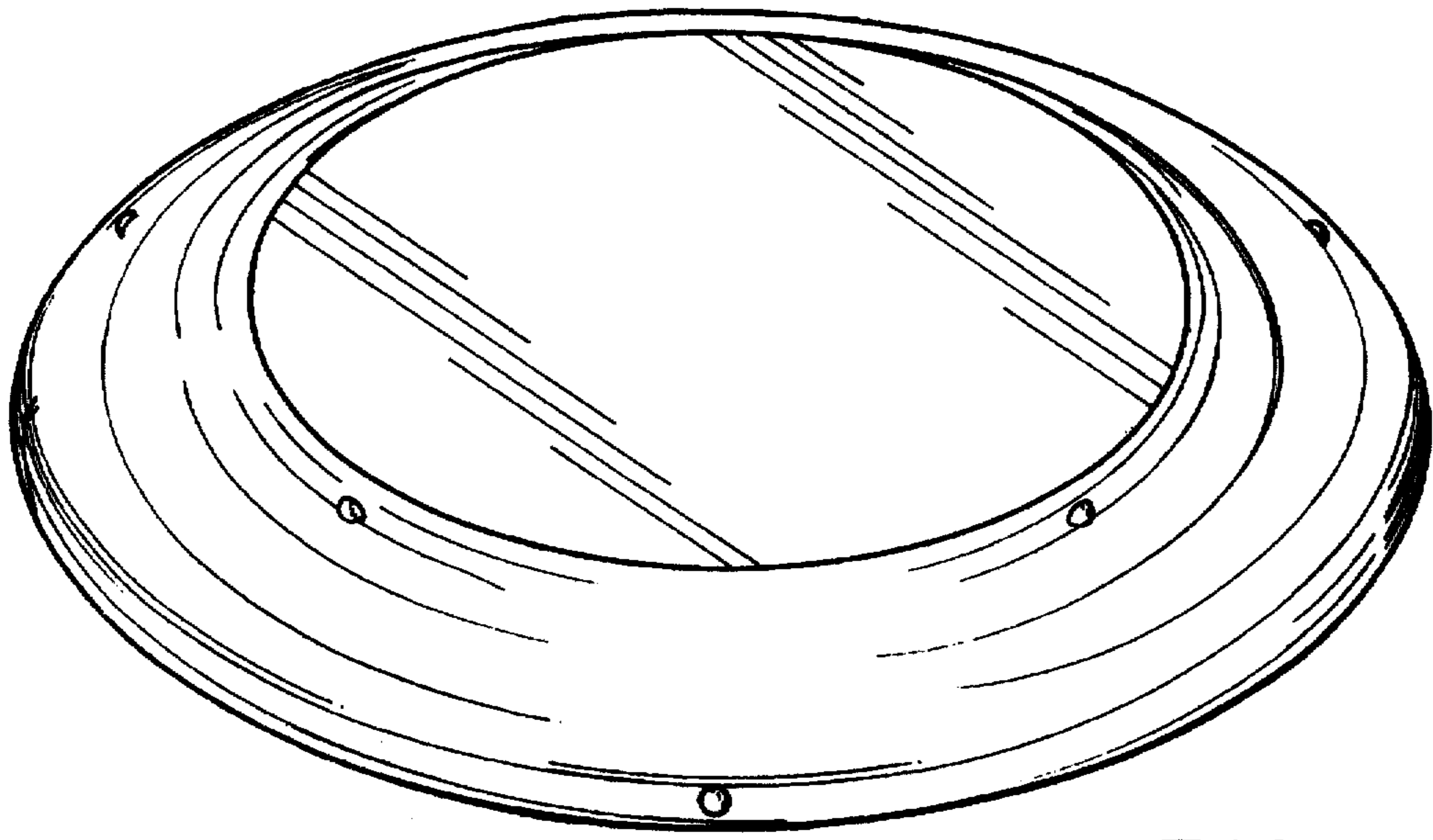


FIG. 1

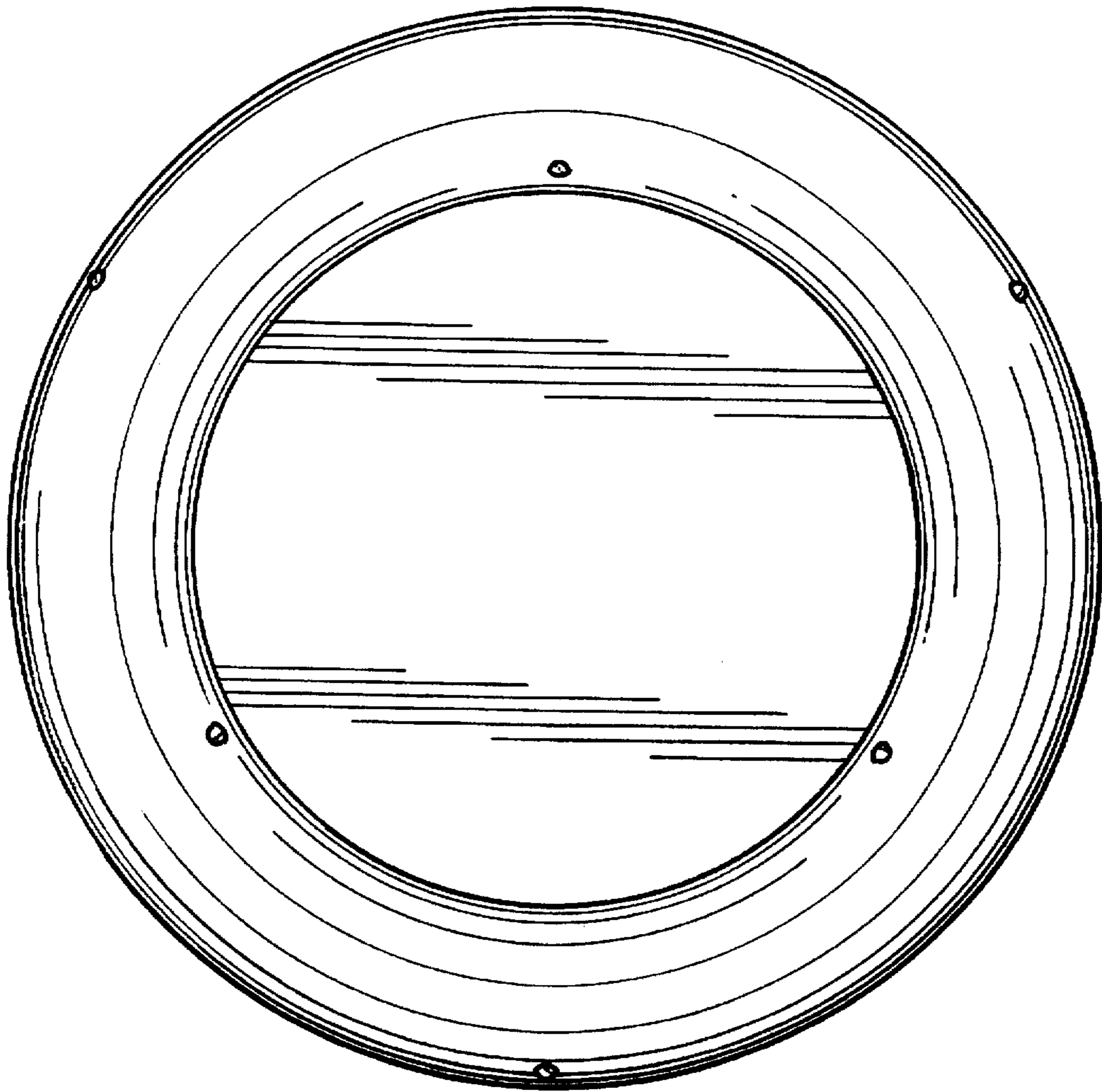


FIG. 2

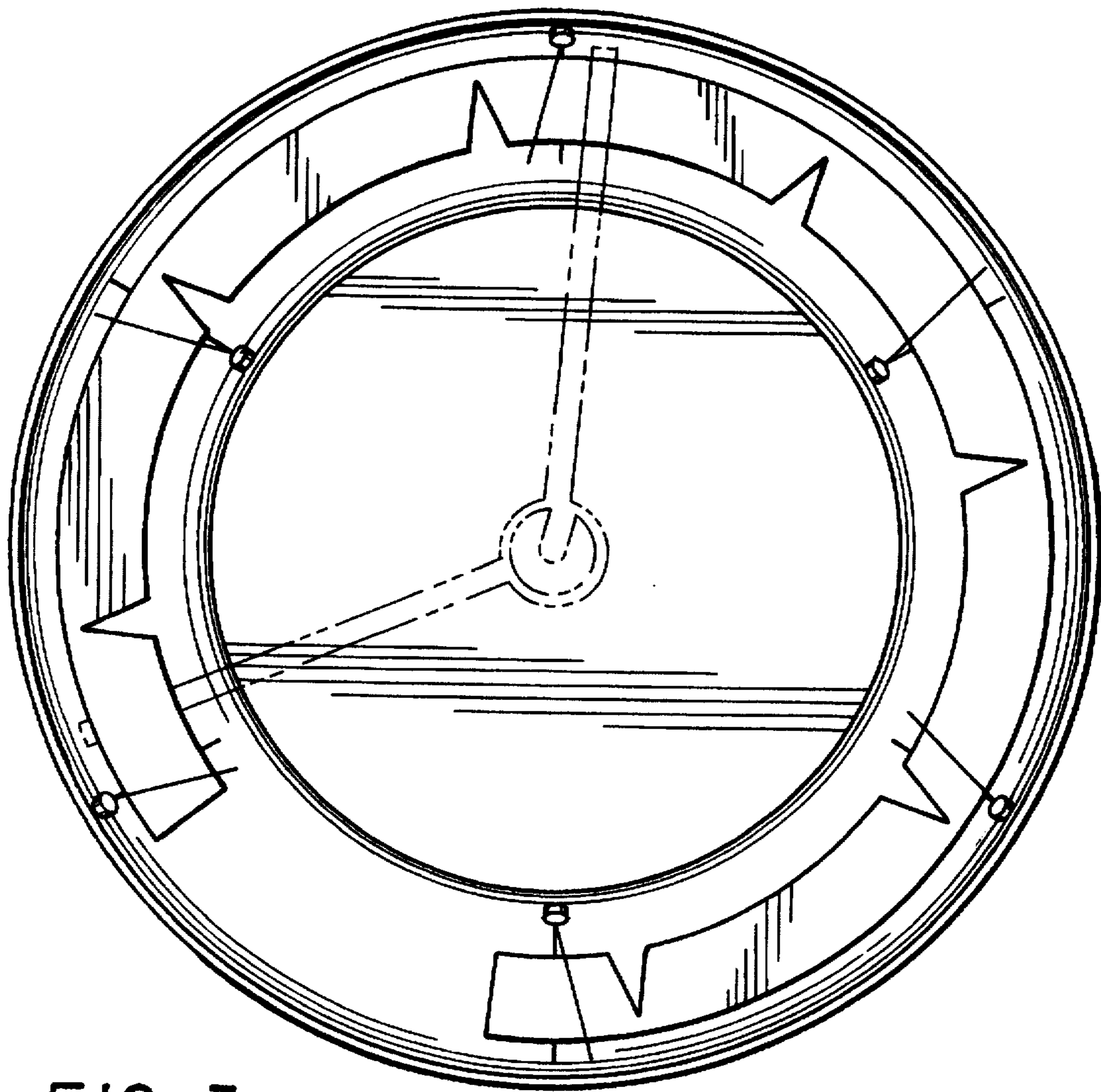


FIG. 3

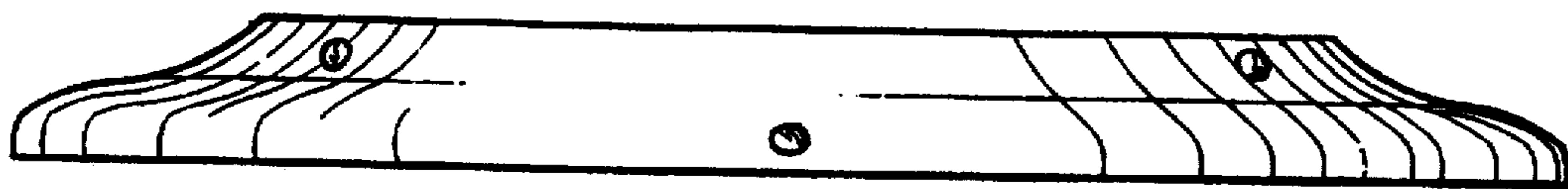


FIG. 4



FIG. 5

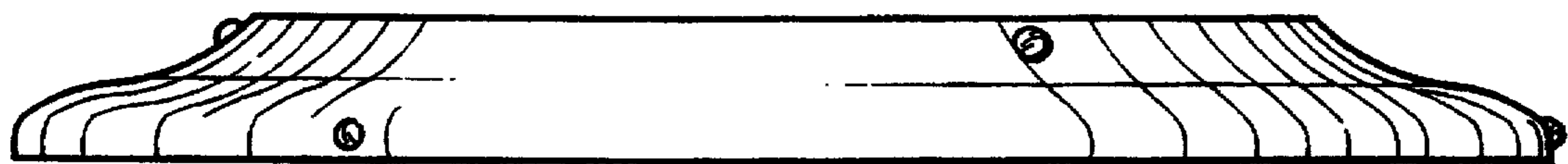


FIG. 6