

US00D386216S

United States Patent [19]
Cihanek

[11] **Patent Number: Des. 386,216**

[45] **Date of Patent: **Nov. 11, 1997**

[54] **POINT-OF-SALE MERCHANDISER**

3,881,649 5/1975 Krautsack 40/642 X
5,267,405 12/1993 Seggerson 40/611 X

[75] **Inventor: Lawrence Cihanek, Wappinger Falls, N.Y.**

Primary Examiner—Susan J. Lucas
Assistant Examiner—Jennifer A. Register
Attorney, Agent, or Firm—Cohen, Pontani, Lieberman & Pavane

[73] **Assignee: Elite Marketing Ltd., Long Island City, N.Y.**

[**] **Term: 14 Years**

[57] **CLAIM**

[21] **Appl. No.: 47,808**

The ornamental design for a point-of-sale merchandiser, as shown and described.

[22] **Filed: Nov. 6, 1995**

DESCRIPTION

[51] **LOC (6) Cl. 20-02**

[52] **U.S. Cl. D20/43**

[58] **Field of Search D20/10, 19, 42, D20/43, 99; 40/657, 124.1, 649, 646, 642, 658; D19/91; D6/449, 475, 513, 553; 211/50**

FIG. 1 is a top, front and right side perspective view of the point-of-sale merchandiser of the present invention;
FIG. 2 is a left side elevational view of the point-of-sale merchandiser of FIG. 1, the opposite side being the mirror image thereof;
FIG. 3 is a front elevational view of the point-of-sale merchandiser of FIG. 1;
FIG. 4 is a top plan view of the point-of-sale merchandiser of FIG. 1;
FIG. 5 is a bottom plan view of the point-of-sale merchandiser of FIG. 1; and
FIG. 6 is a rear elevational view of the point-of-sale merchandiser of FIG. 1.

[56] **References Cited**

U.S. PATENT DOCUMENTS

D. 306,614	3/1990	Kodner et al.	D20/42
D. 318,771	8/1991	Wellner	D6/553 X
D. 355,791	2/1995	Briley	D6/449
D. 365,566	12/1995	Cantrell	D6/513 X
D. 370,029	5/1996	Green et al.	D19/19 X
D. 370,681	6/1996	Diamond	D6/513 X
601,144	3/1898	Howe	40/658 X

1 Claim, 3 Drawing Sheets

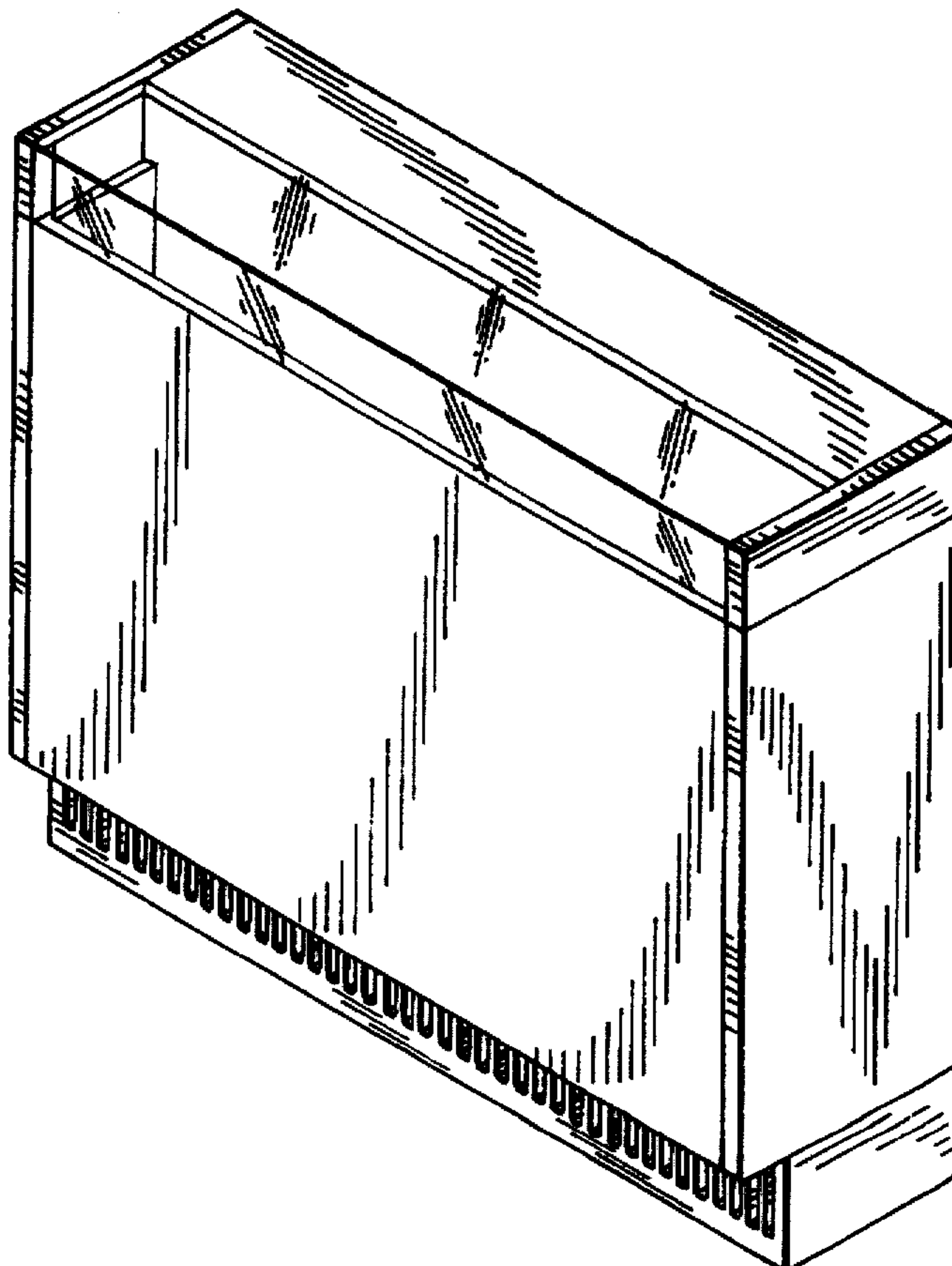


FIG. 1

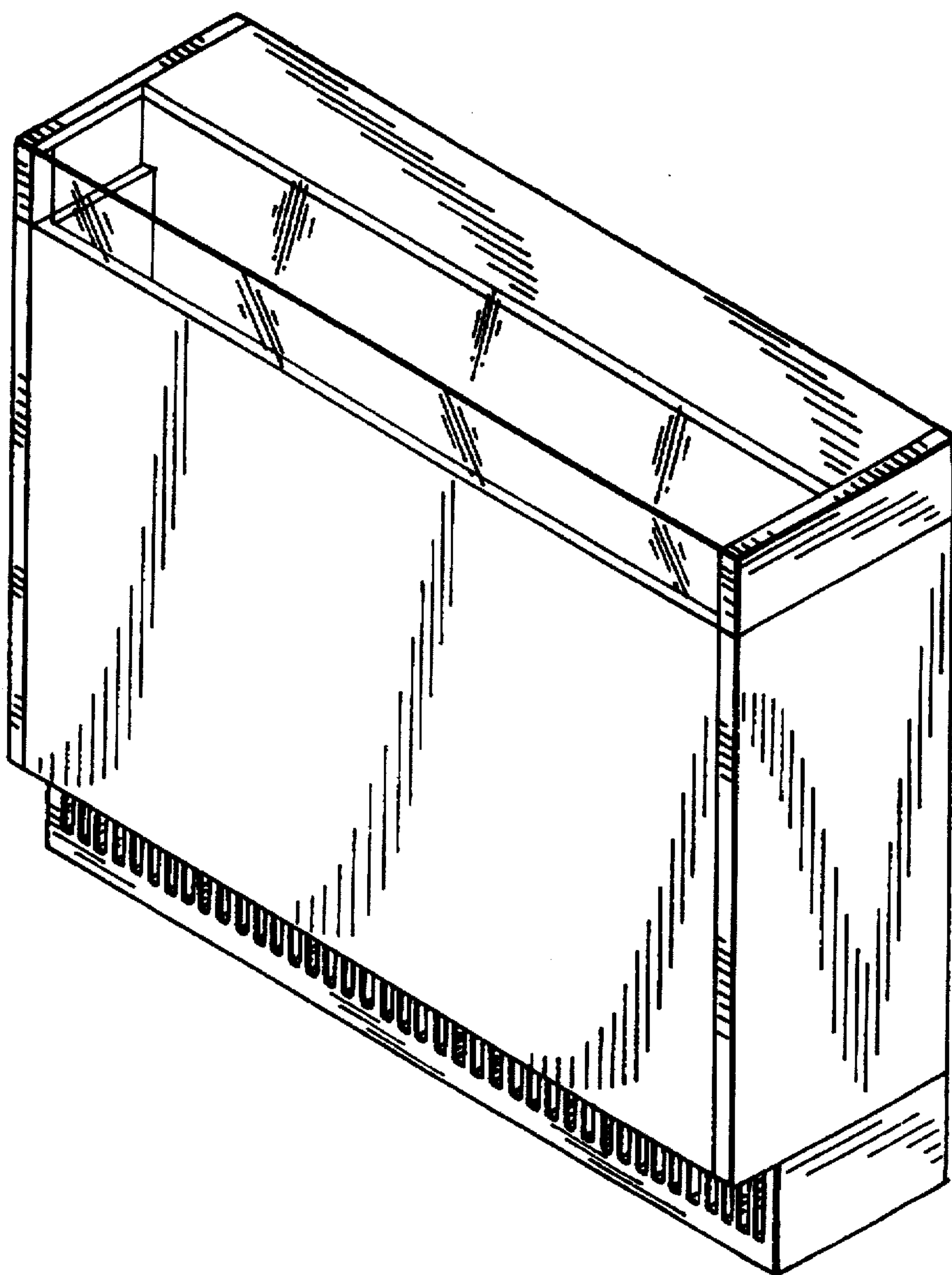


FIG. 3

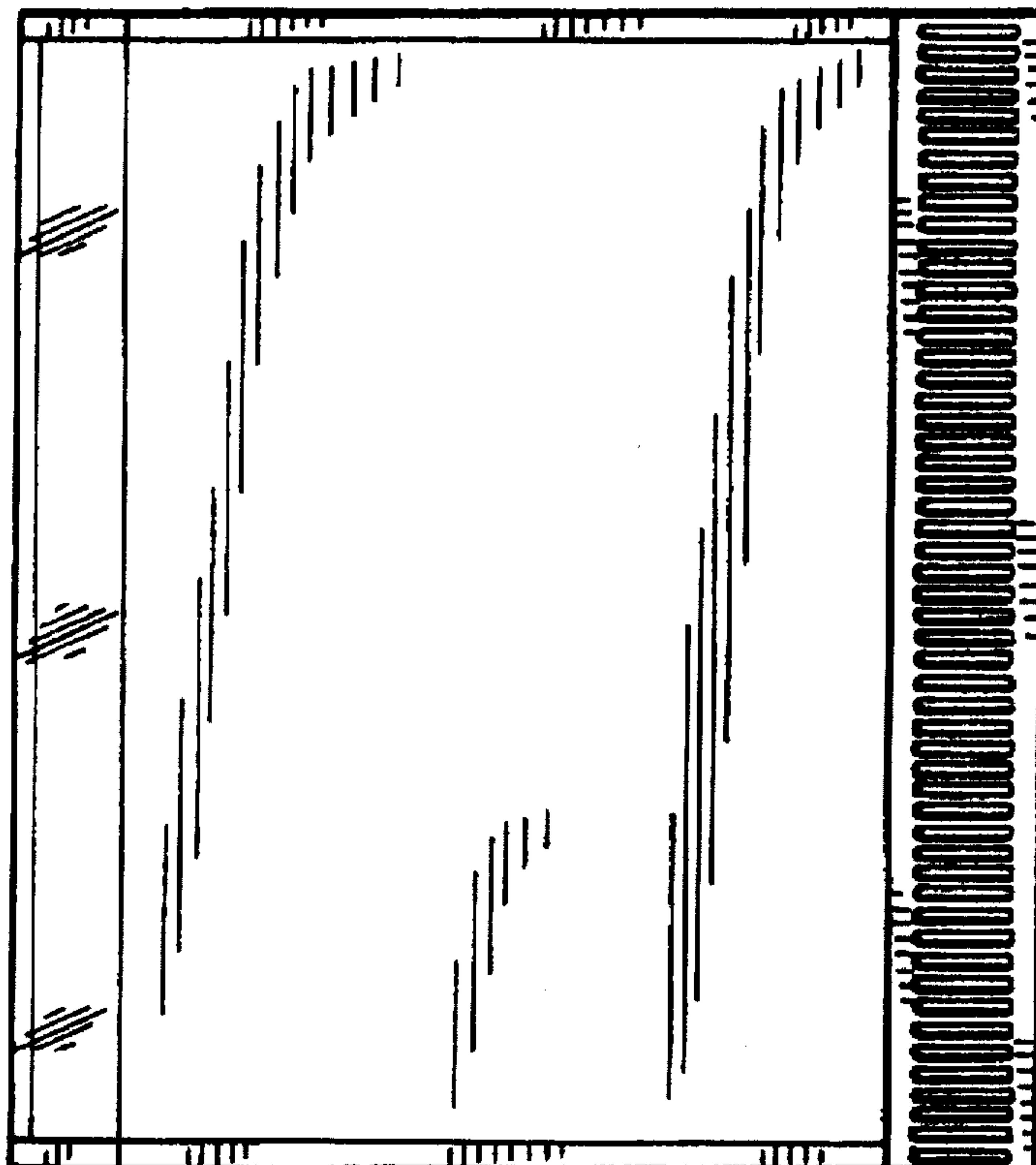


FIG. 2

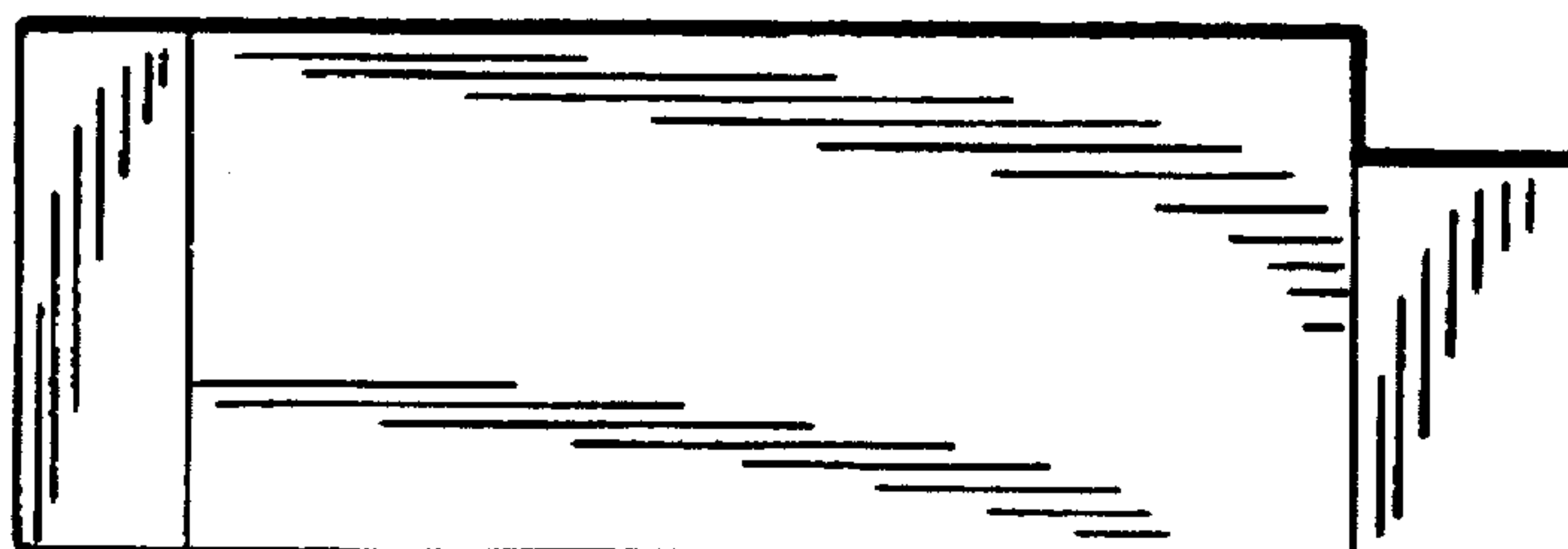


FIG. 4



FIG. 5

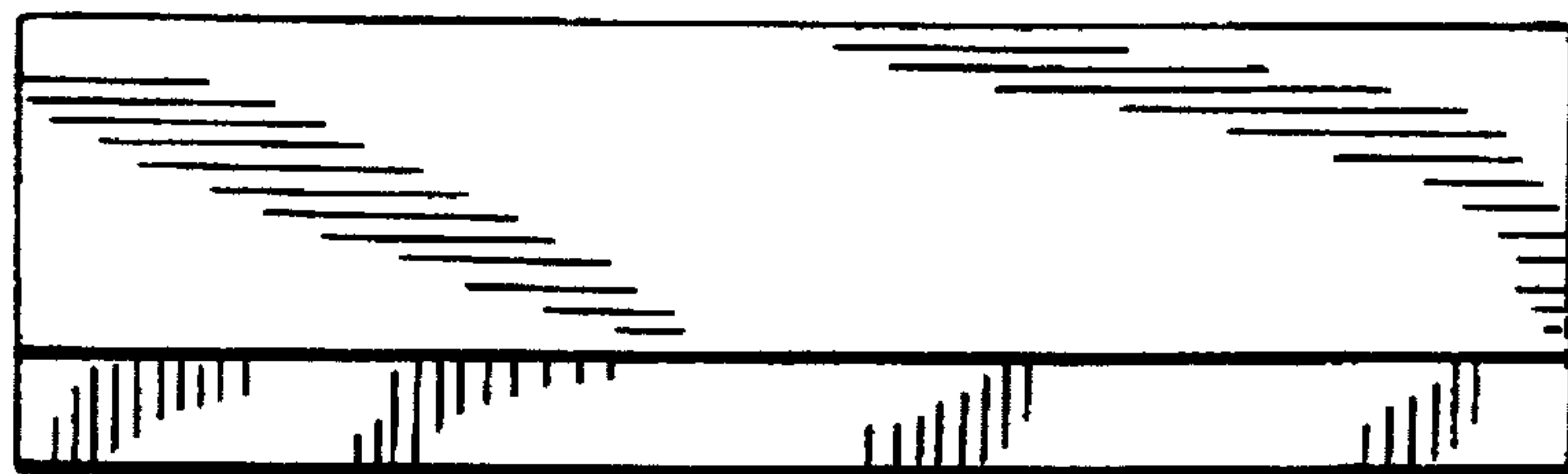


FIG. 6

