



US00D386215S

United States Patent [19]

White et al.

[11] Patent Number: Des. 386,215

[45] Date of Patent: **Nov. 11, 1997

[54] **BADGE CLIP**

[75] Inventors: **Robert W. White**, Franklin Lakes, N.J.;
David J. Haas, Suffern, N.Y.

[73] Assignee: **Temtec**, Suffern, N.Y.

[**] Term: **14 Years**

[21] Appl. No.: **51,234**

[22] Filed: **Mar. 6, 1996**

Related U.S. Application Data

[63] Continuation-in-part of Ser. No. 579,137, Dec. 27, 1995.

[51] LOC (6) Cl. **08-08**

[52] U.S. Cl. **D20/43; D6/328; D8/395**

[58] Field of Search 40/652, 658, 1.5,
40/1.6, 666; 24/543, 542, 3.11, 3.12; D8/395,
394, 72; D6/328; D20/10, 43, 19, 27

[56] **References Cited**

U.S. PATENT DOCUMENTS

- D. 277,534 2/1985 Warmath D6/328
- D. 314,015 1/1991 Hickman, Sr. .
- D. 315,992 4/1991 Tremblay et al. D8/395 X
- 342,971 6/1886 Ongley .
- 926,401 6/1909 Freedman .
- 1,212,511 1/1917 Kropp .
- 2,641,811 6/1953 Morgan .
- 2,775,804 1/1957 Ayoub .
- 3,357,615 12/1967 Hill .
- 3,515,363 6/1970 Fisher .
- 3,604,071 9/1971 Reimels .
- 3,604,425 9/1971 Leroy .
- 3,616,497 11/1971 Espisito, Jr. .
- 3,629,912 12/1971 Klopp .

- 3,942,228 3/1976 Buckman et al. .
- 3,983,602 10/1976 Barry .
- 4,043,858 8/1977 Dantowitz .
- 4,071,930 2/1978 Tanaka .
- 4,228,569 10/1980 Snyder .
- 4,277,863 7/1981 Faneue .
- 4,277,864 7/1981 Orson, Sr. 40/1.5 X
- 4,395,799 8/1983 Batts .
- 4,763,390 8/1988 Rooz .
- 4,835,824 6/1989 Durham et al. .
- 4,839,947 6/1989 Caten et al. .
- 5,022,126 6/1991 Davis .
- 5,159,730 11/1992 Radvin .
- 5,179,768 1/1993 Nio .
- 5,285,556 2/1994 Shorin et al. .
- 5,305,500 4/1994 Tucker .
- 5,313,721 5/1994 Filden .
- 5,361,463 11/1994 Revis 24/543
- 5,384,935 1/1995 Maier-Hunke .
- 5,452,500 9/1995 Revis 24/543

Primary Examiner—Susan J. Lucas
Assistant Examiner—Jennifer Register
Attorney, Agent, or Firm—Michael E. Zall

[57] **CLAIM**

The ornamental design for badge clip, as shown and described.

DESCRIPTION

FIG. 1 is a top perspective view of a new design for a badge clip according to the present invention;
FIG. 2 is a top plan view;
FIG. 3 is a front elevational view;
FIG. 4 is a side elevational view with the opposite side being a mirror image;
FIG. 5 is a rear elevational view; and,
FIG. 6 is a bottom plan view.

1 Claim, 2 Drawing Sheets

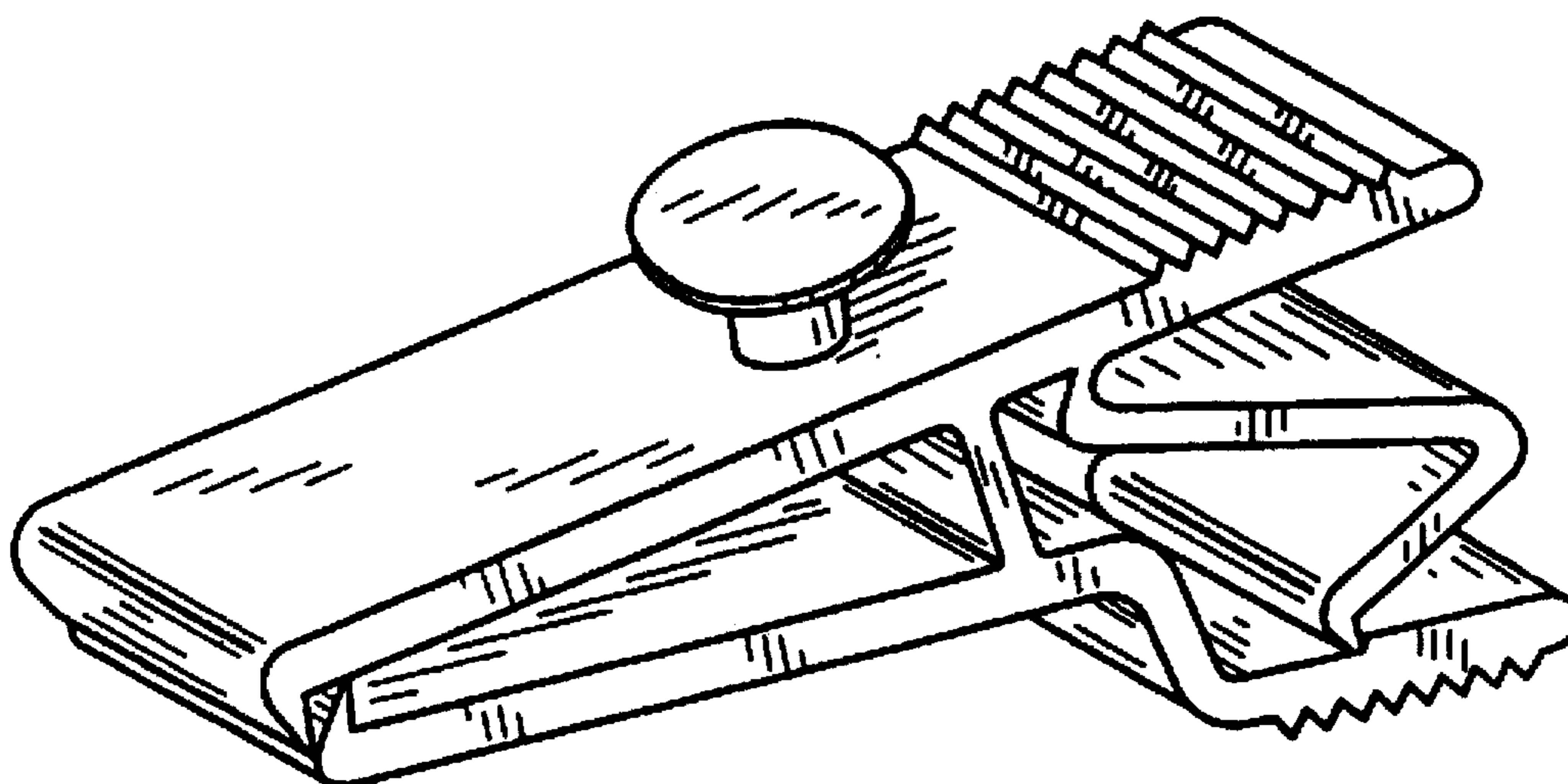
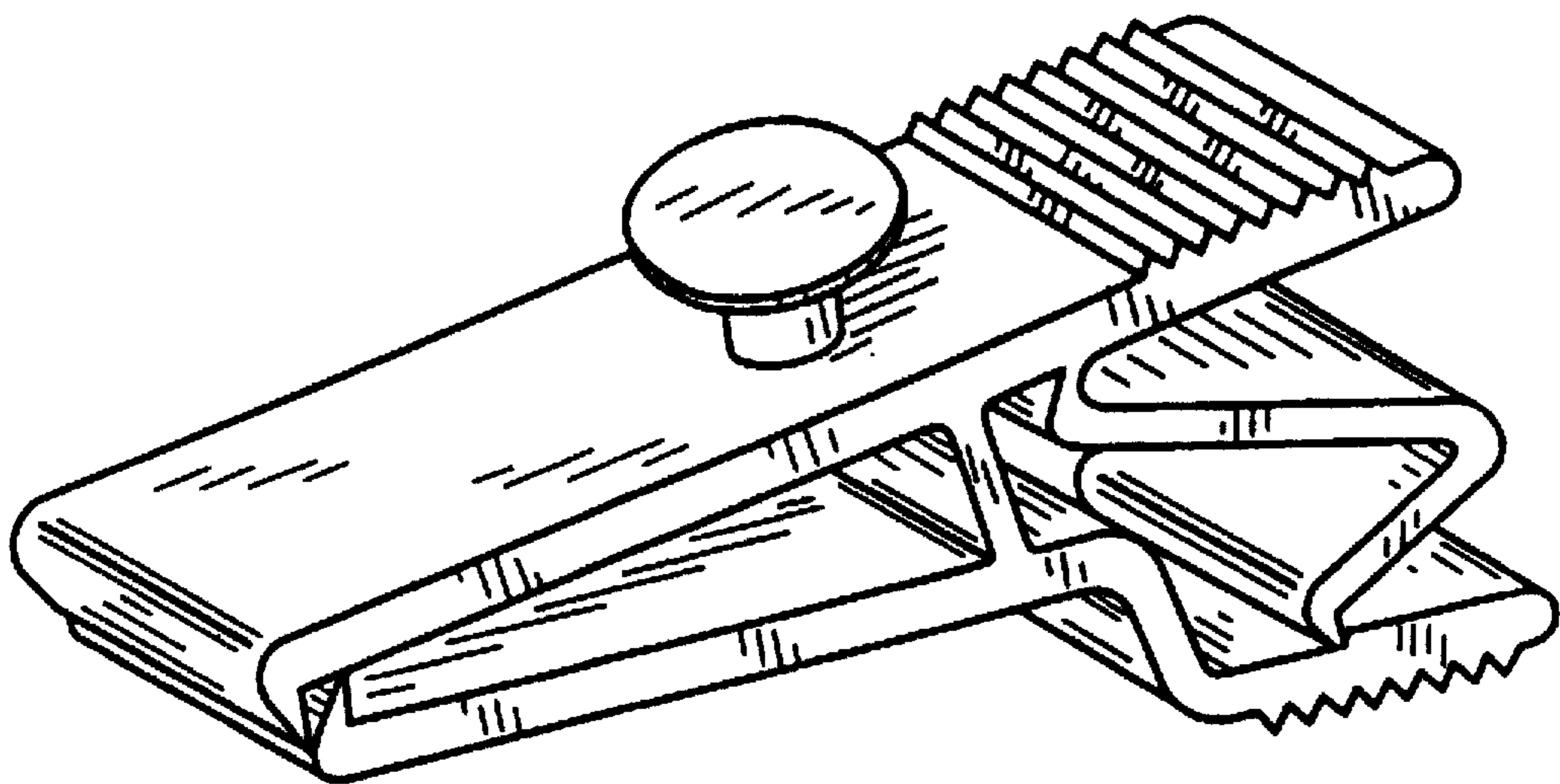


FIG. 1



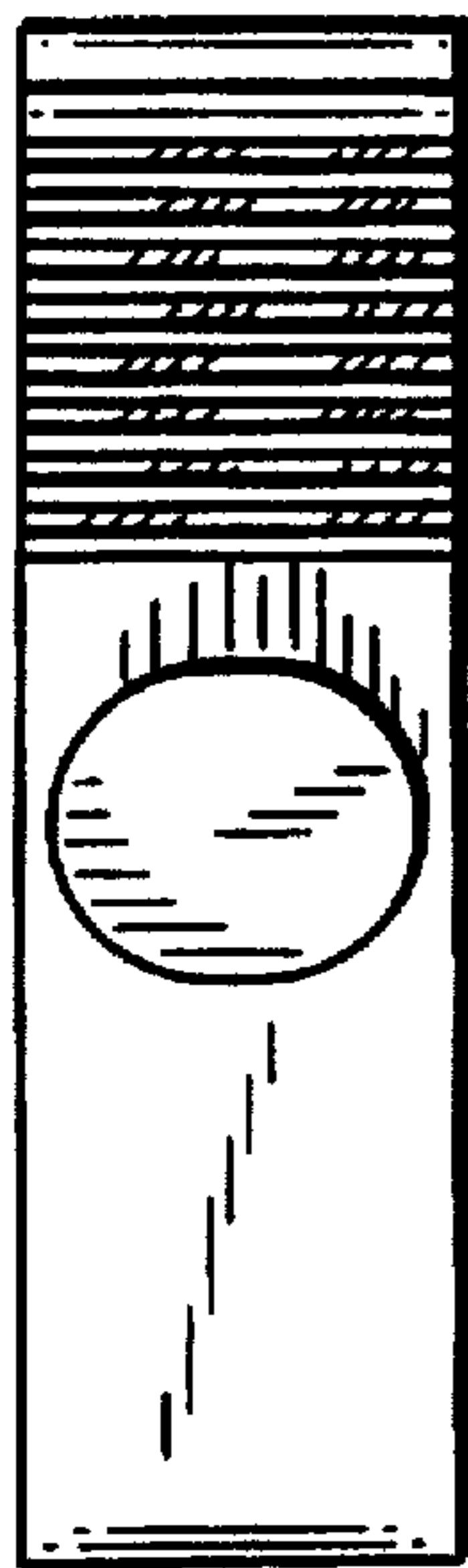


FIG. 2

FIG. 3

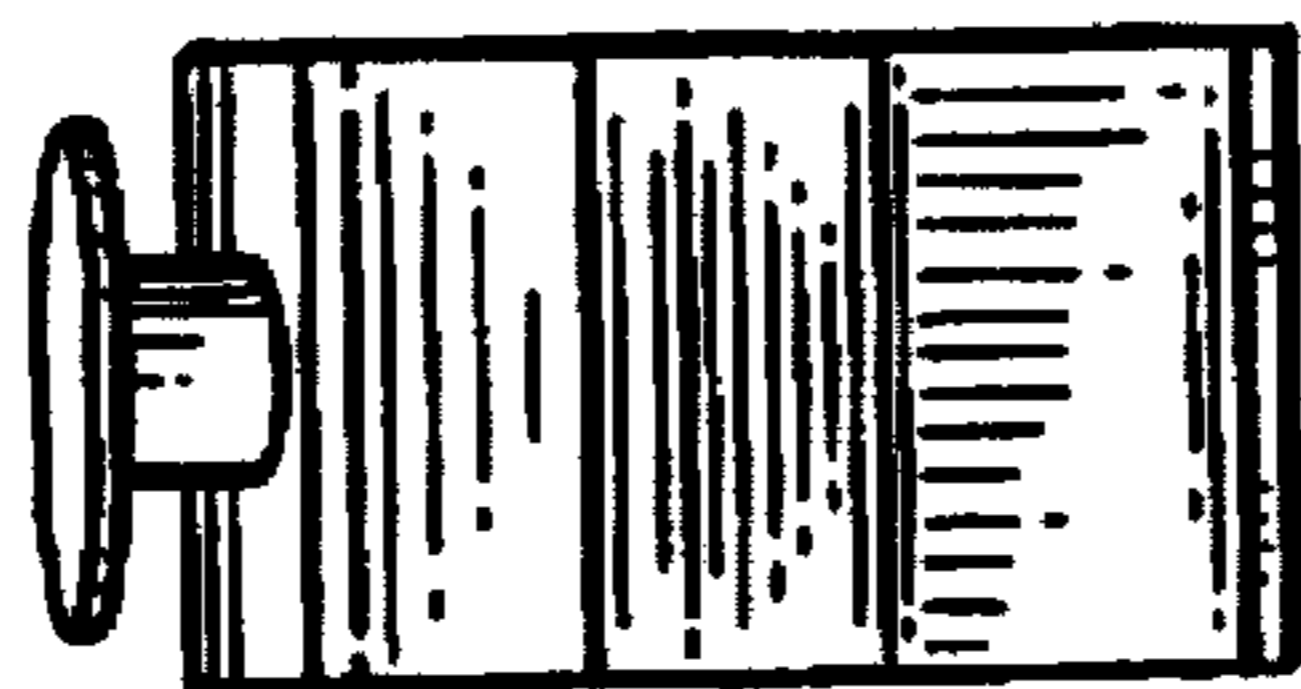


FIG. 4

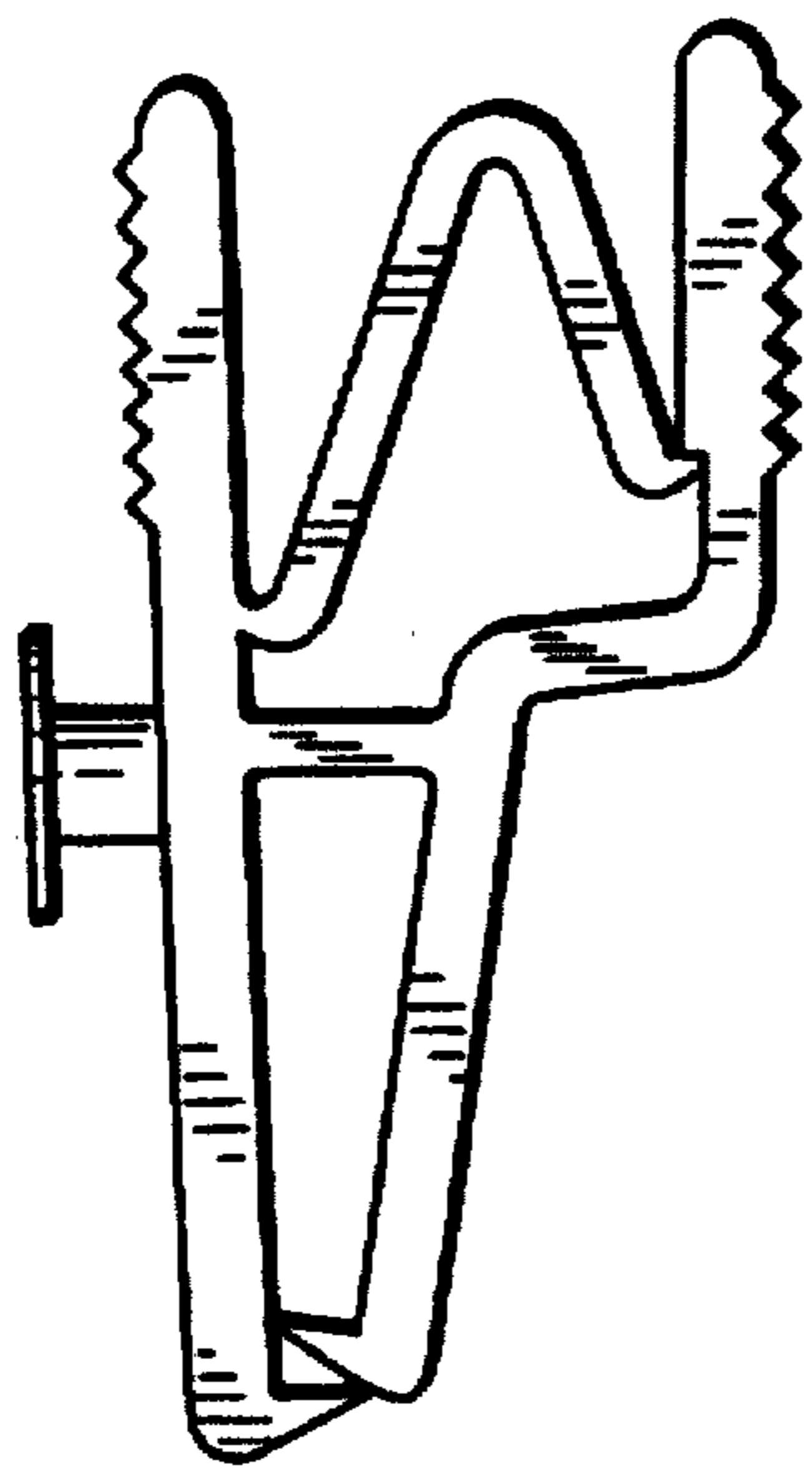


FIG. 5

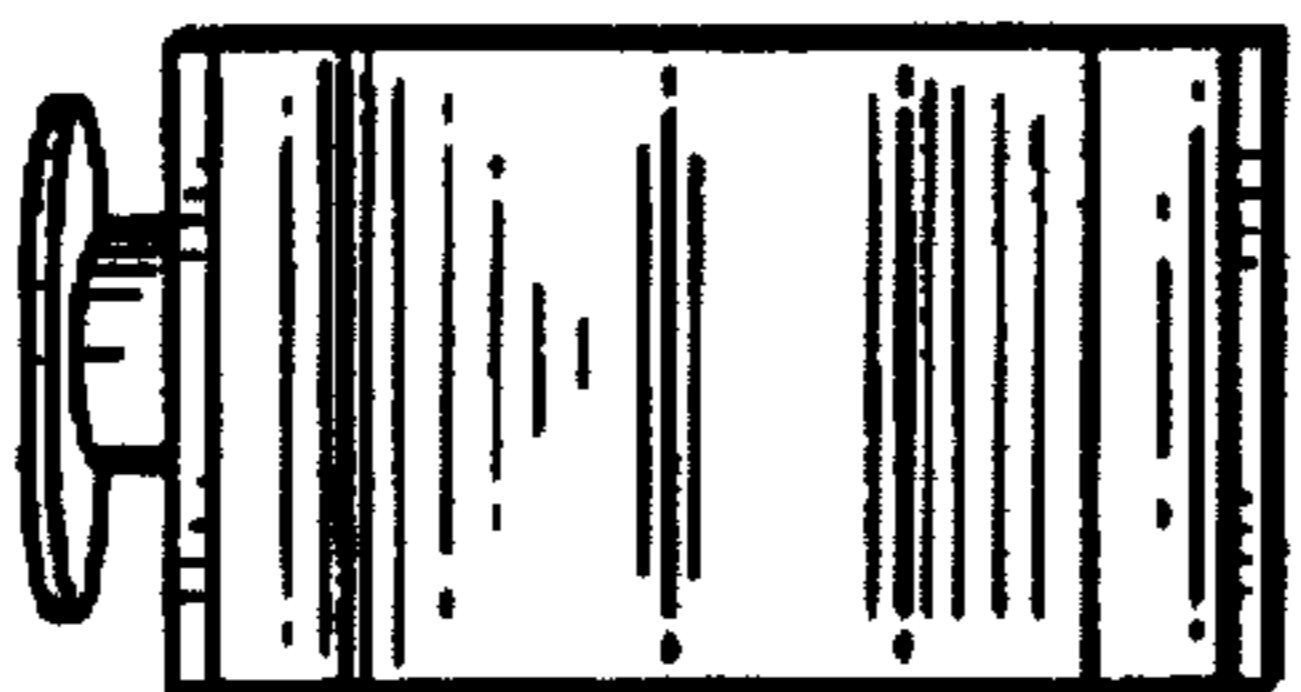


FIG. 6

