



US00D386209S

United States Patent [19]

Firestone et al.

[11] Patent Number: Des. 386,209

[45] Date of Patent: **Nov. 11, 1997

[54] **VEHICLE SIGN CARRIER**

[75] Inventors: **Bruce Murray Firestone**, Dunrobin;
Scott André Brazeau, Munster, both of
Canada

[73] Assignee: **T.C. Transitus Communications Inc.**,
Dunrobin, Canada

[**] Term: **14 Years**

[21] Appl. No.: **58,566**

[22] Filed: **Aug. 19, 1996**

[30] **Foreign Application Priority Data**

Feb. 20, 1996 [CA] Canada 1996/0385

[51] LOC (6) CL **20-03**

[52] U.S. Cl. **D20/10**

[58] Field of Search D10/10, 12, 19,
D10/42; 40/592, 591, 617, 584, 606

[56] **References Cited**

U.S. PATENT DOCUMENTS

D. 277,298	1/1985	Nelson	D20/10
3,975,850	8/1976	Giaume	40/606
4,688,343	8/1987	Allan	40/592

Primary Examiner—Susan J. Lucas
Assistant Examiner—Jennifer A. Register

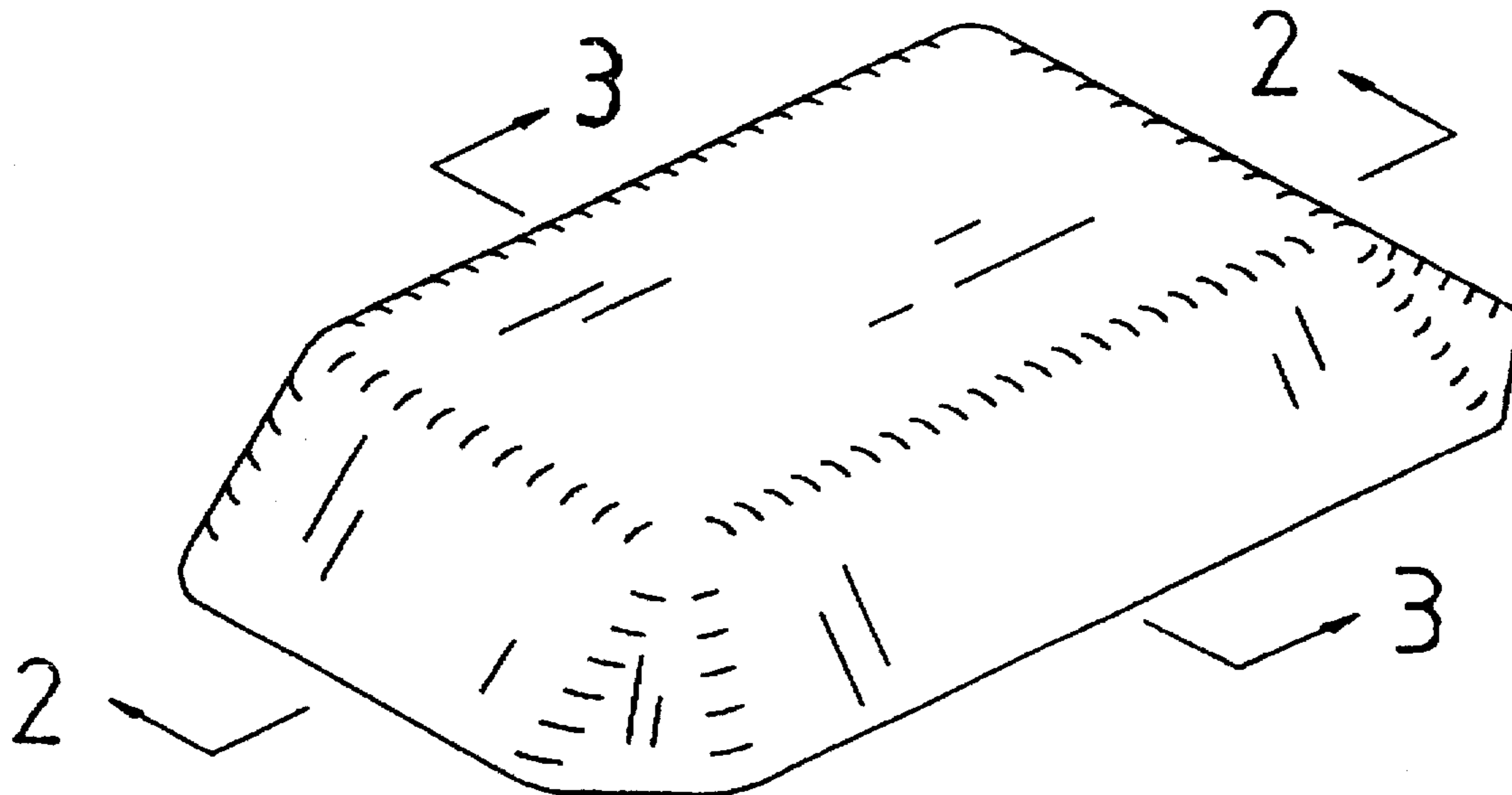
[57] **CLAIM**

The ornamental design for a vehicle sign carrier, as shown and described.

DESCRIPTION

FIG. 1 is a perspective view of the design;
FIG. 2 is a sectional view along line 2—2 in FIG. 1;
FIG. 3 is a sectional view along line 3—3 in FIG. 1;
FIG. 4 is a top plan view of the design;
FIG. 5 is a side elevational view; and,
FIG. 6 is a front elevational view.

1 Claim, 2 Drawing Sheets



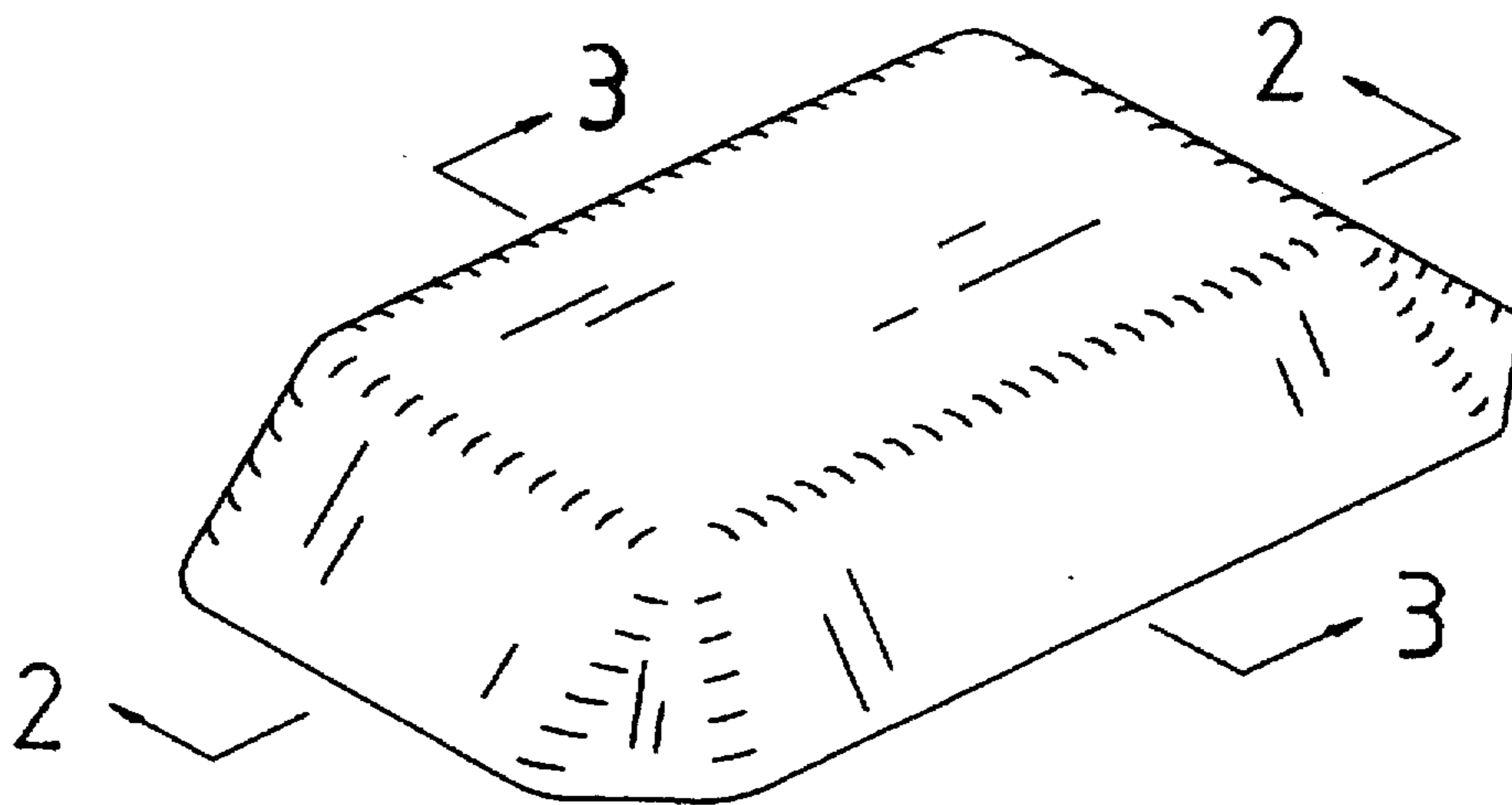


FIG. 1

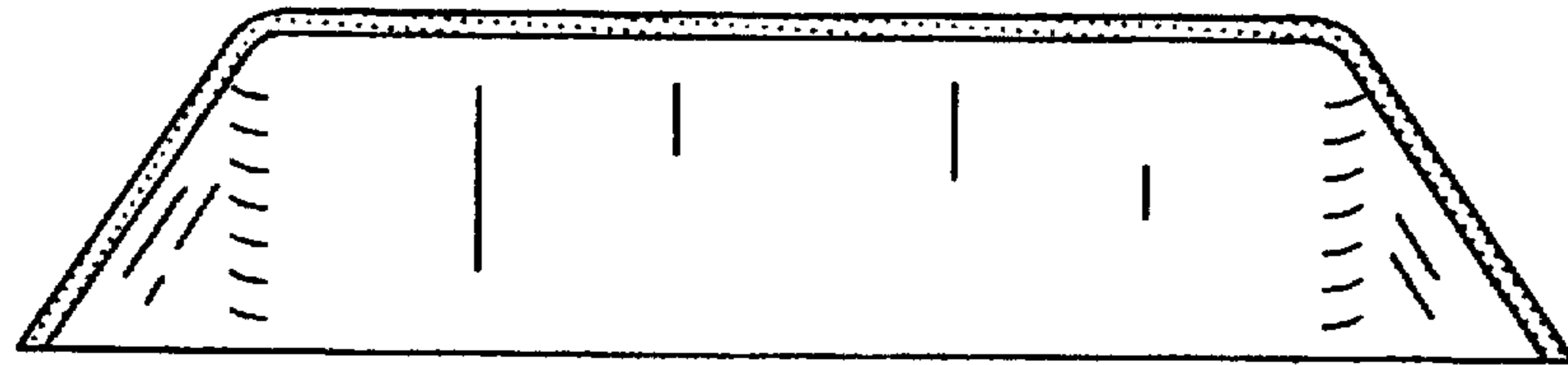


FIG. 2

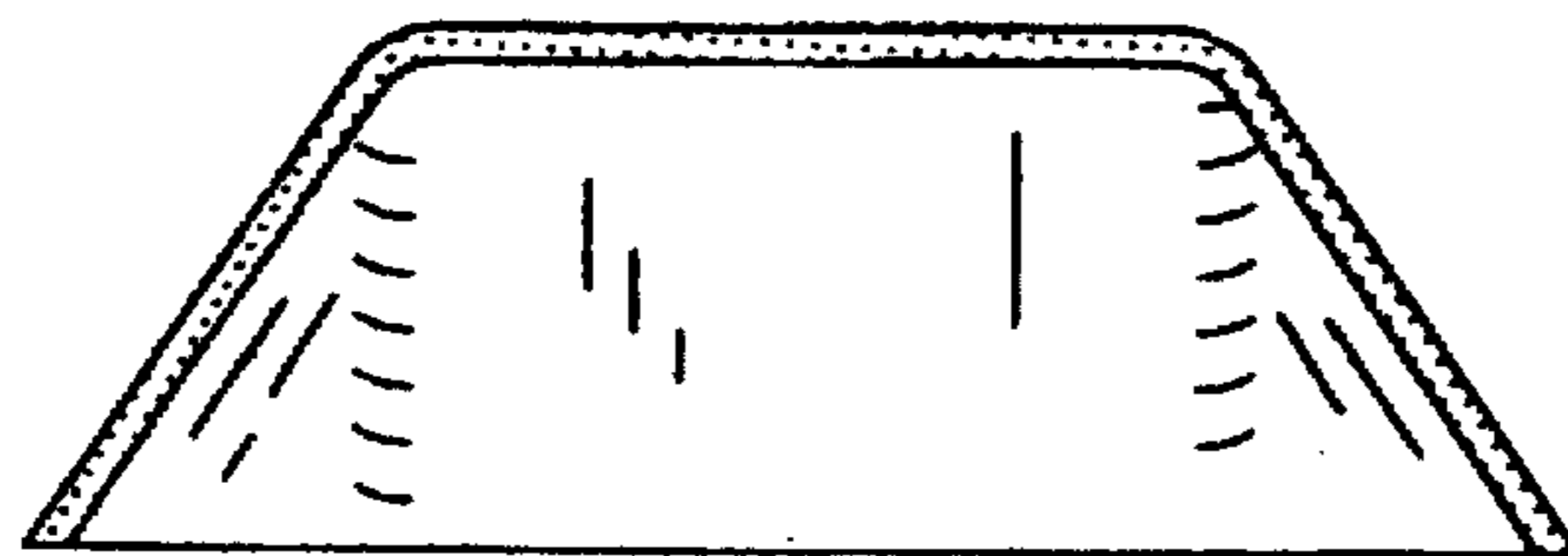


FIG. 3

FIG. 4

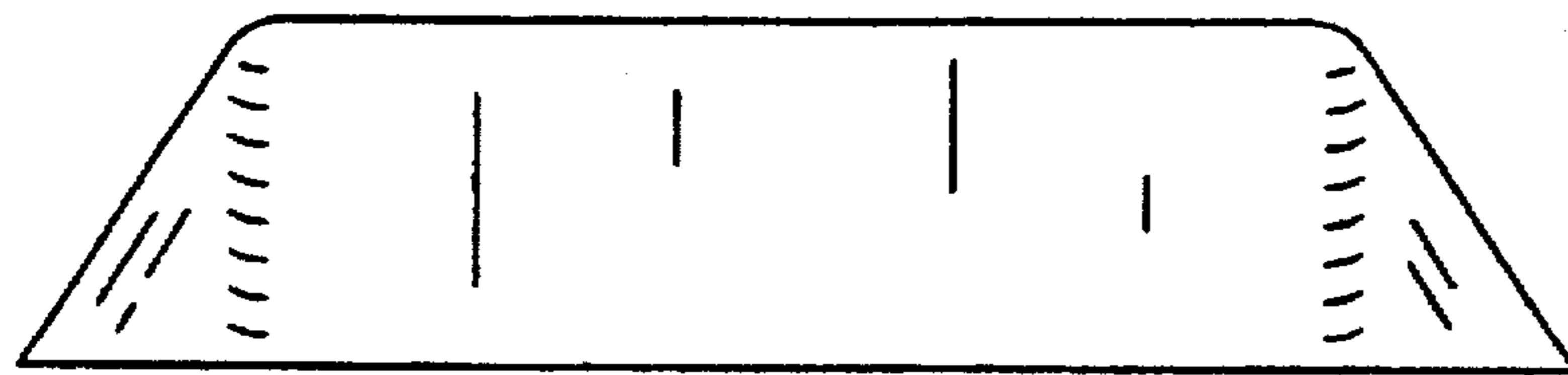
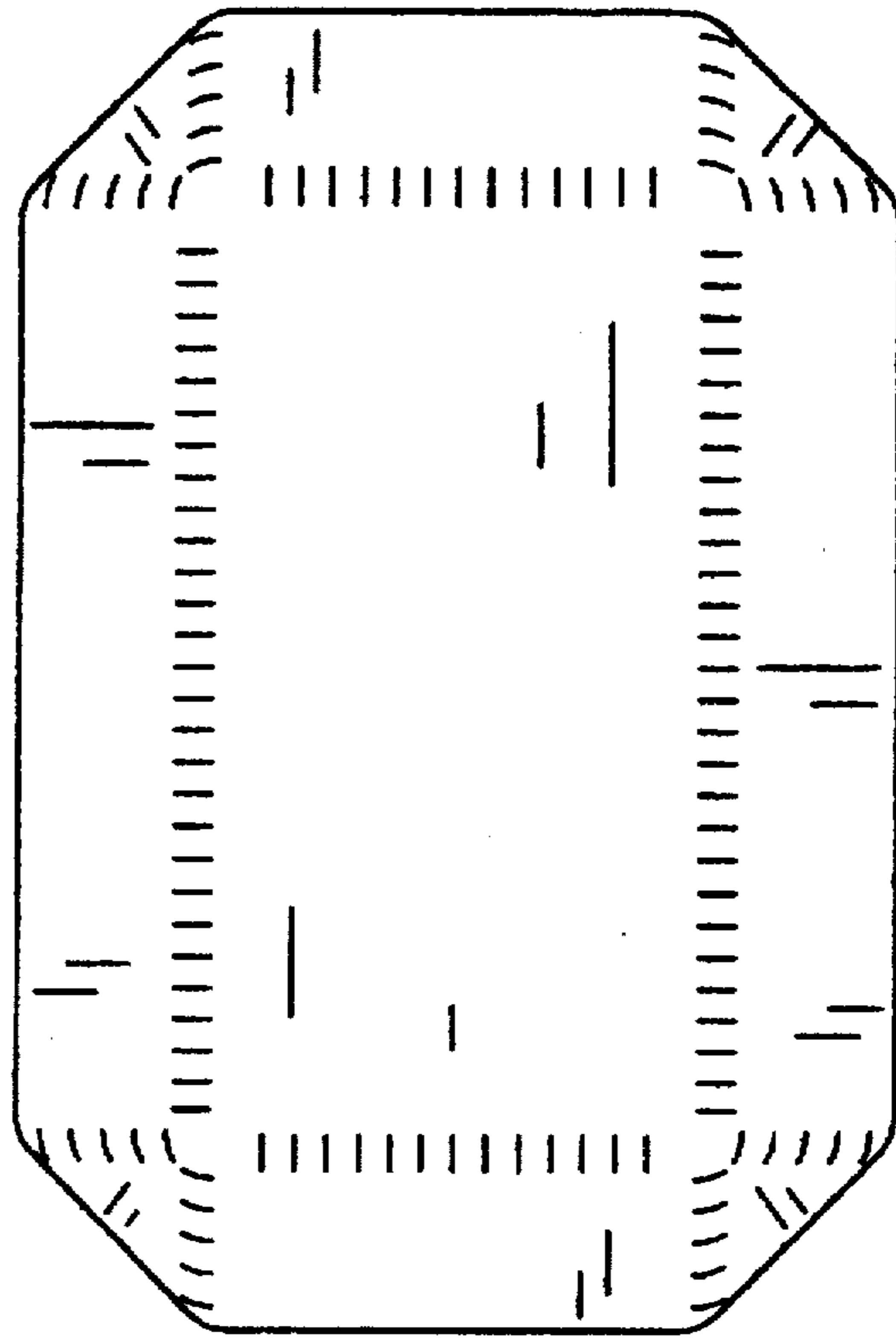


FIG. 5

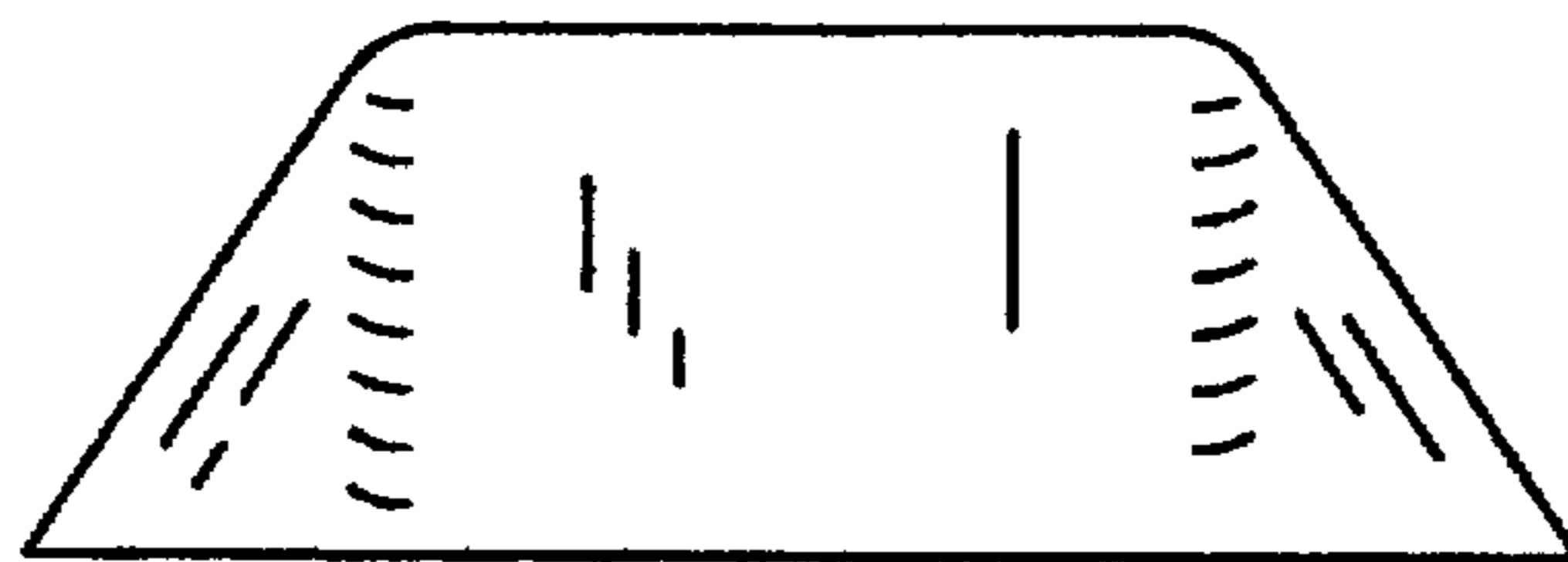


FIG. 6