



US00D386206S

United States Patent [19] Arnold

[11] Patent Number: **Des. 386,206**

[45] Date of Patent: ****Nov. 11, 1997**

[54] **DOCUMENT FOLDER WITH ADJUSTABLE
RETAINER**

D. 364,640 11/1995 Zimbelman D19/27
2,416,856 3/1947 Thomson D19/27
3,201,145 8/1965 Libby 281/29

[76] Inventor: **Sharon V. Arnold**, P.O. Box 451357,
Los Angeles, Calif. 90045

Primary Examiner—Susan J. Lucas
Assistant Examiner—Pamela Burgess
Attorney, Agent, or Firm—Harold H. Dutton, Jr.

[**] Term: **14 Years**

[21] Appl. No.: **51,394**

[57] **CLAIM**

[22] Filed: **Mar. 8, 1996**

The ornamental design for a document folder with adjustable retainer, as shown.

[51] **LOC (6) Cl.** **19-04**

DESCRIPTION

[52] **U.S. Cl.** **D19/27**

[58] **Field of Search** D19/26, 27, 28;
281/29, 31, 15.1, 21.1, 39, 45; 402/60,
61, 62, 70, 73

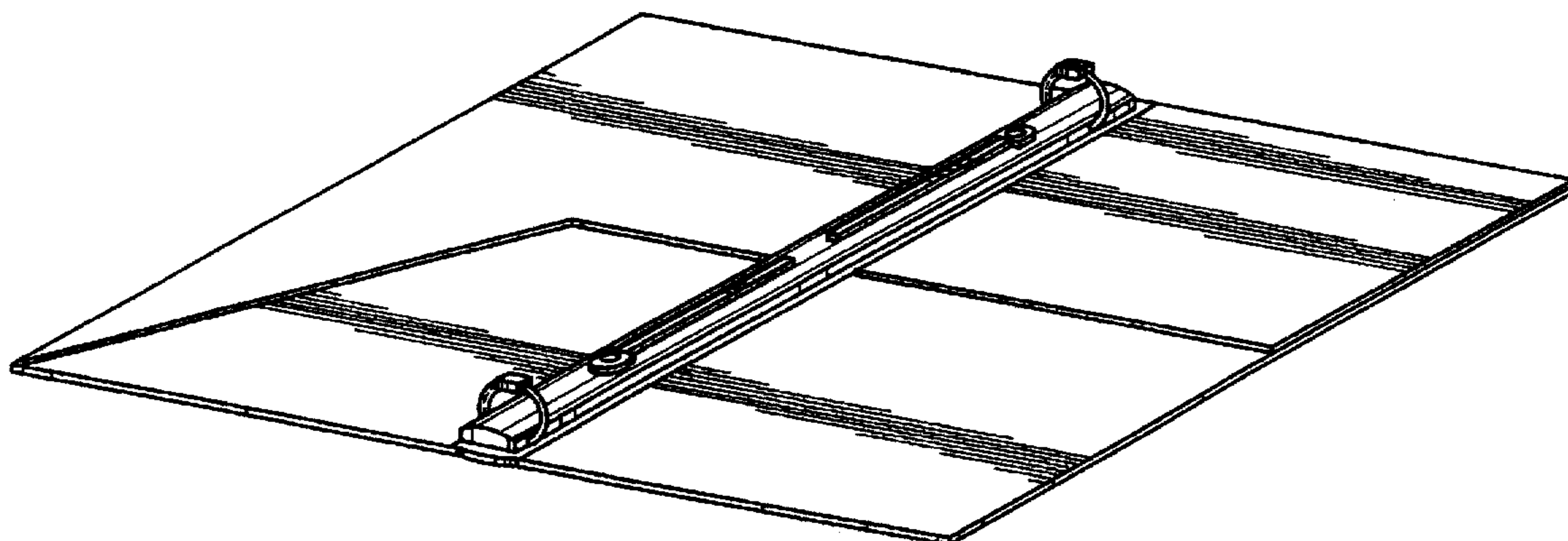
FIG. 1 is a perspective view of a document folder with adjustable retainer showing my new design;
FIG. 2 is a top view thereof;
FIG. 3 is a bottom view thereof;
FIG. 4 is a rear view thereof;
FIG. 5 is a front view thereof;
FIG. 6 is a right side view thereof; and,
FIG. 7 is a left side view thereof.

[56] **References Cited**

U.S. PATENT DOCUMENTS

D. 299,932 2/1989 Beleckis D19/26
D. 317,462 6/1991 Sawada et al. D19/26
D. 325,928 5/1992 Bourgeois D19/27

1 Claim, 5 Drawing Sheets



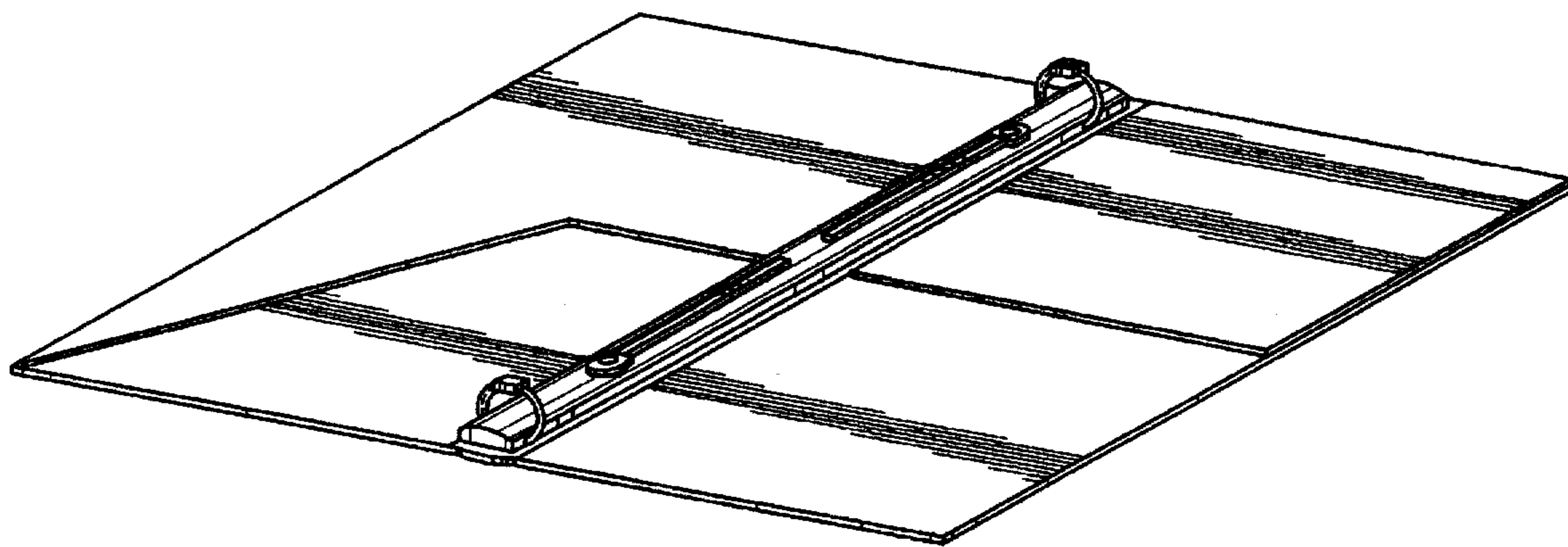


FIG. 1

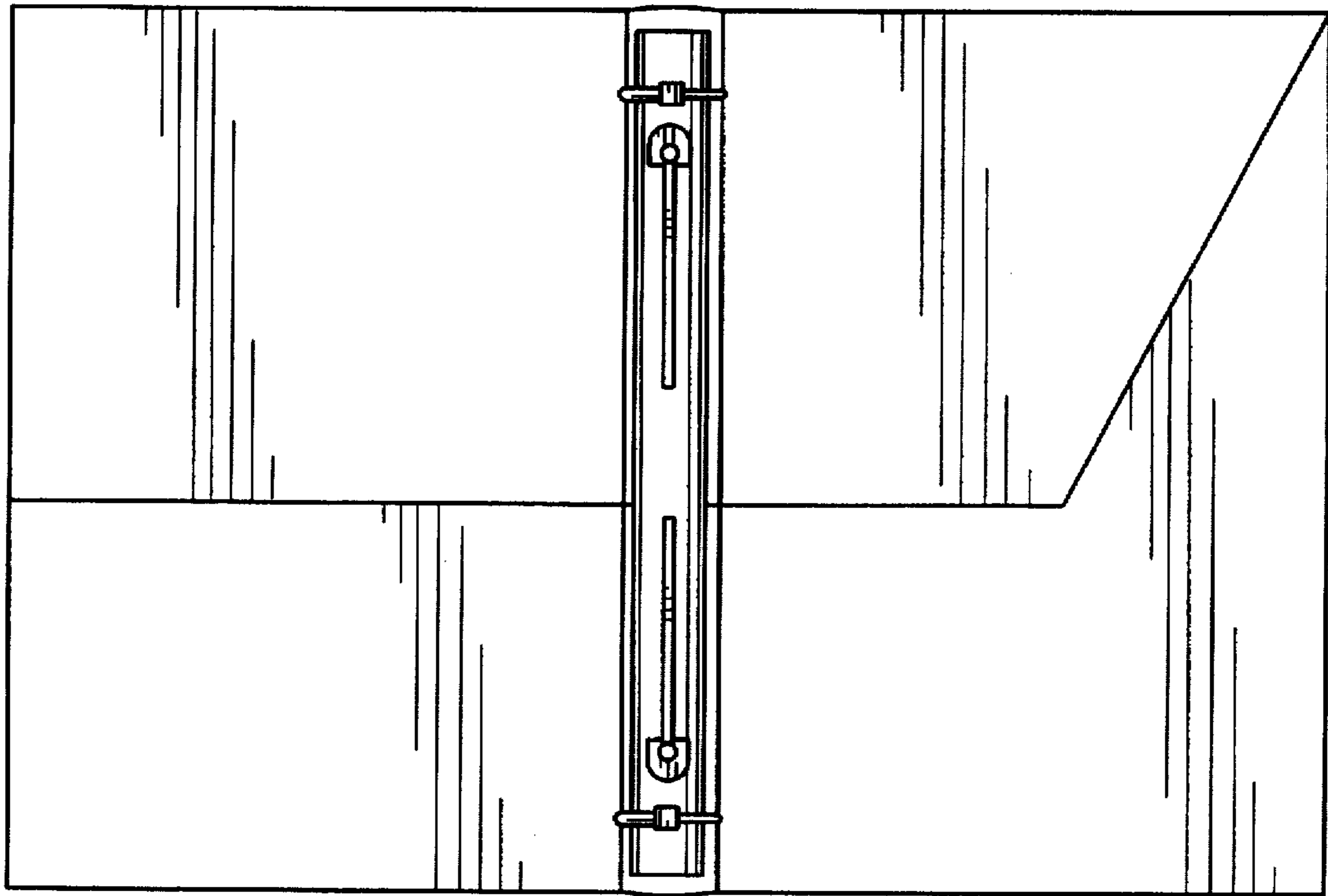


FIG. 2

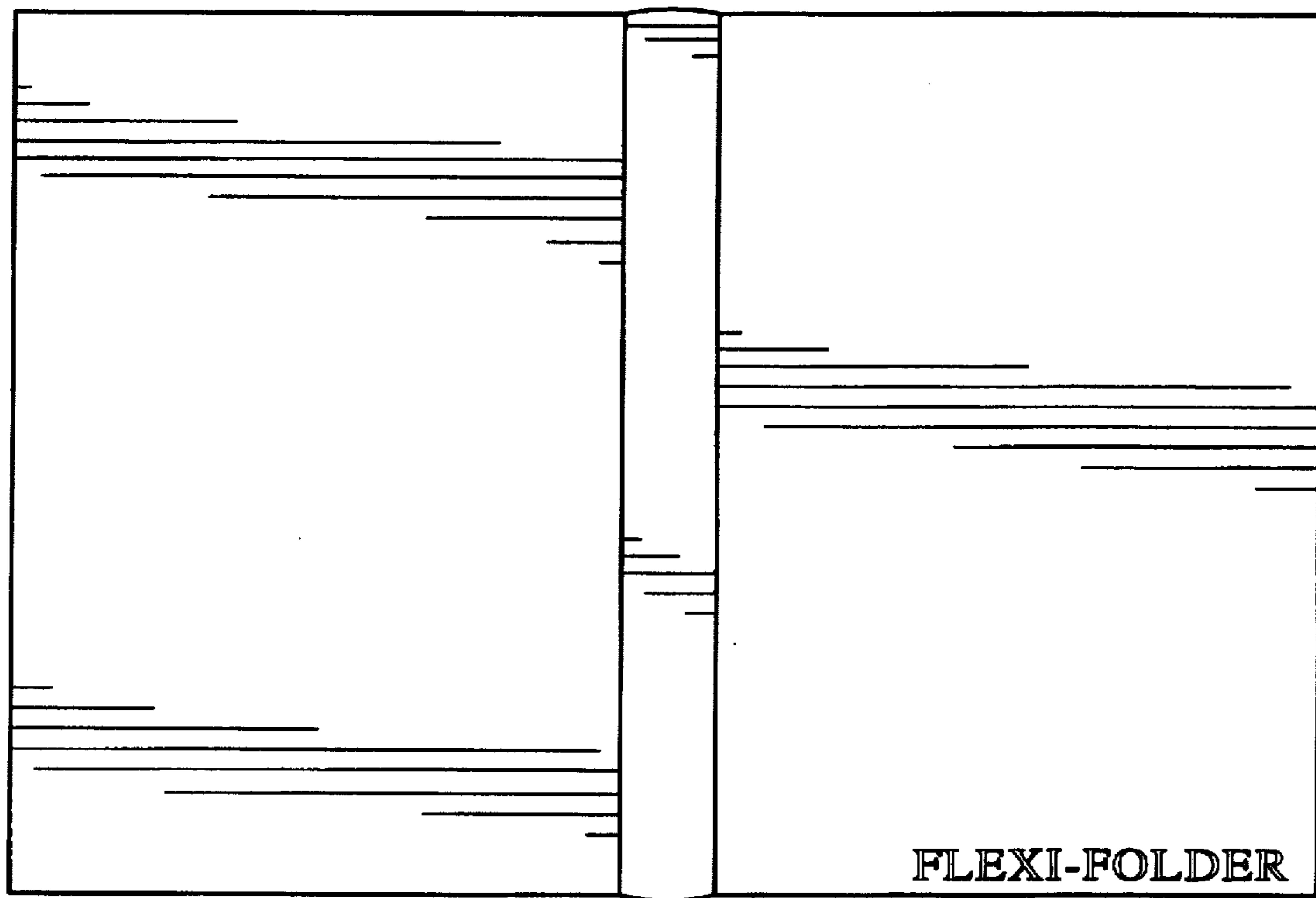


FIG. 3

FIG. 4



FIG. 5



FIG. 6

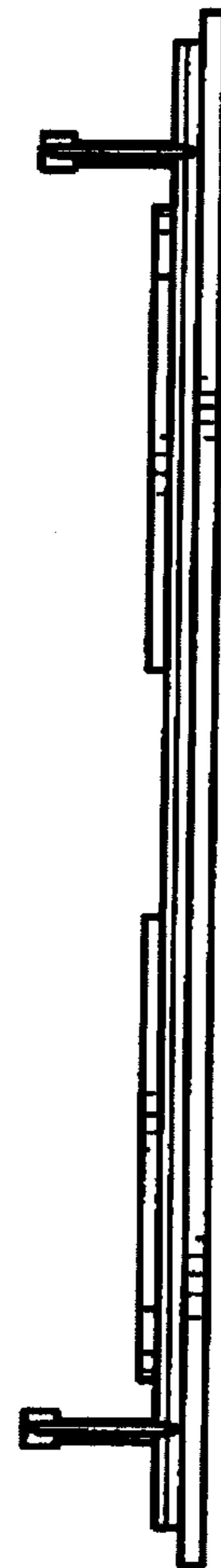


FIG. 7